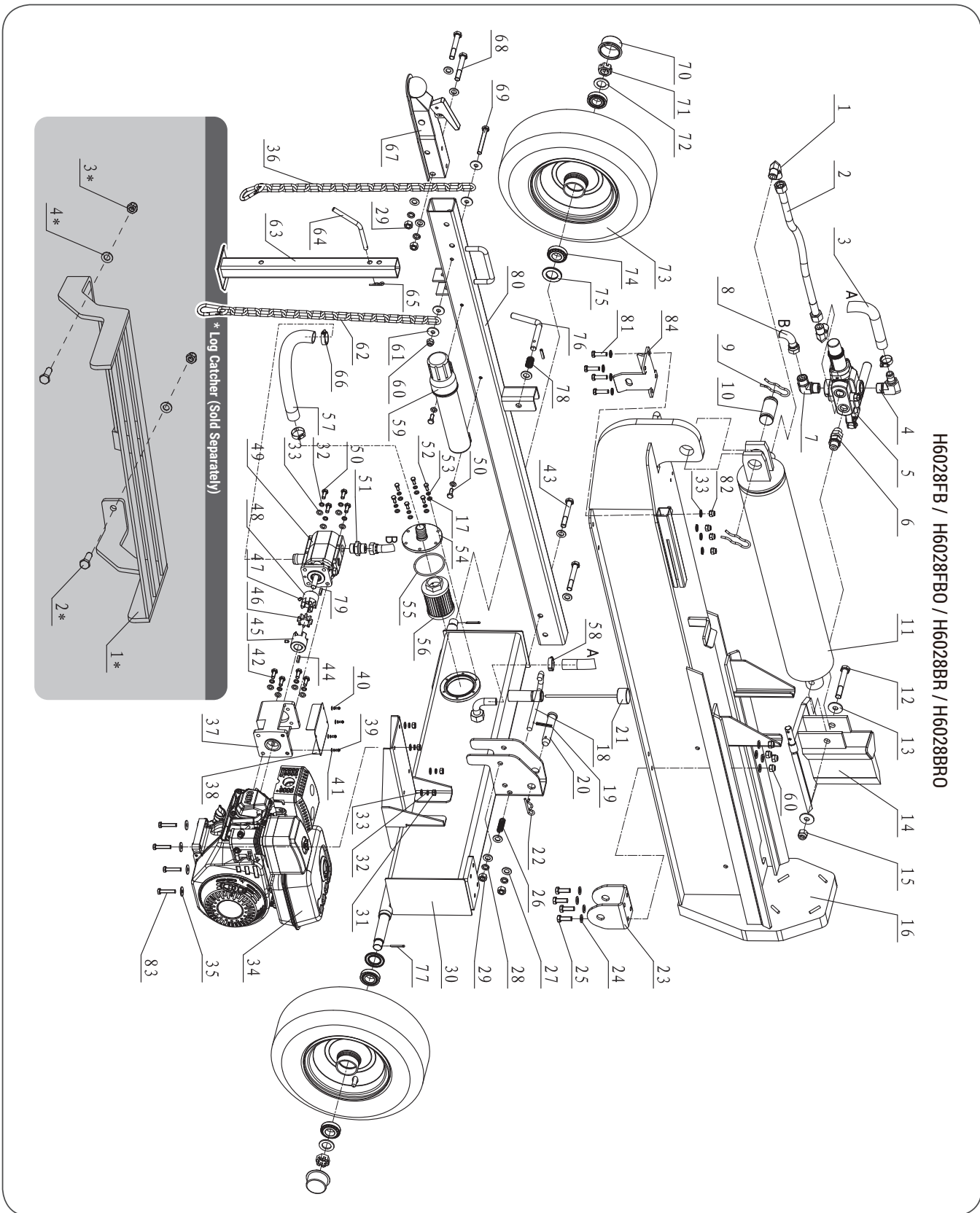
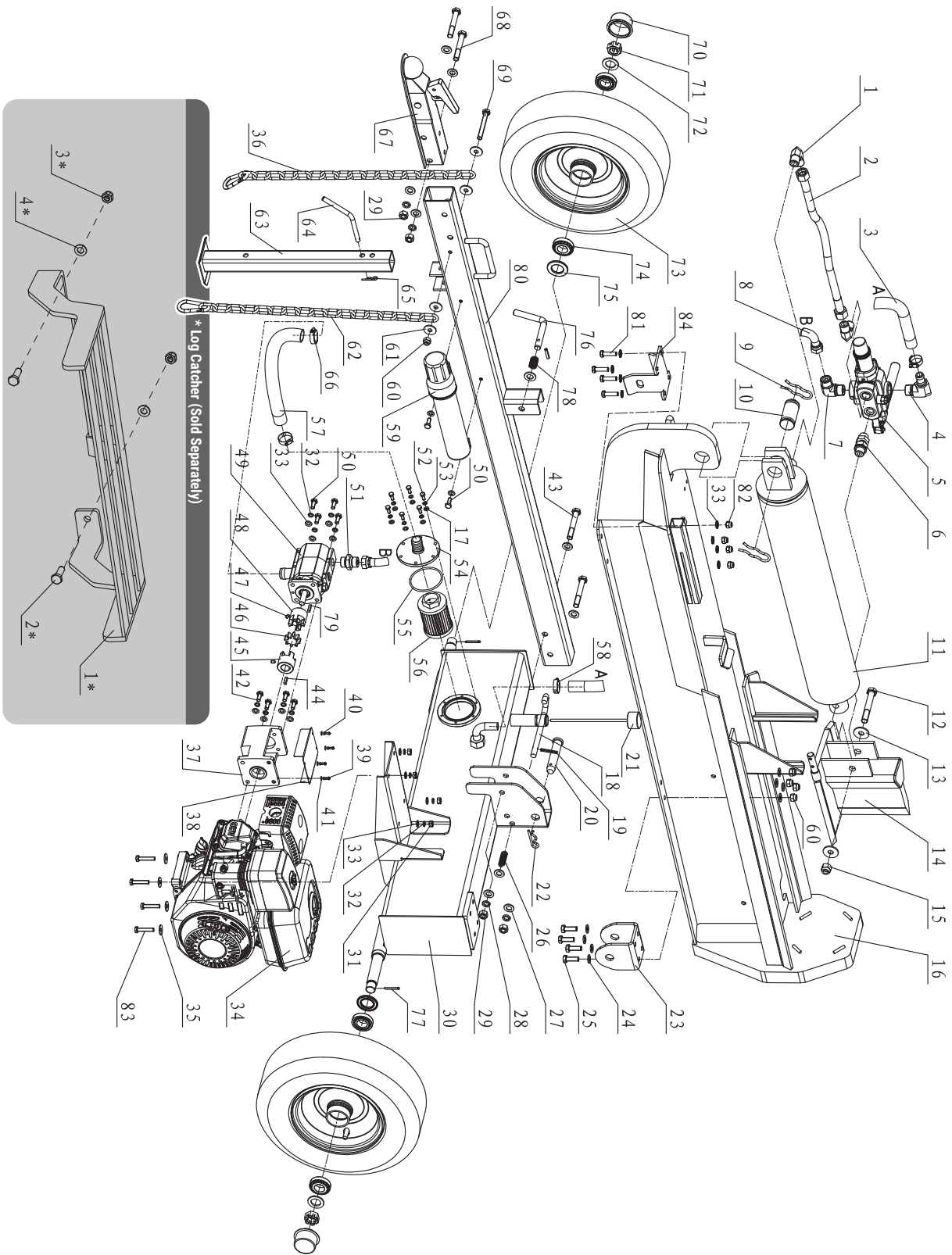


# PARTS DIAGRAM



H6033FB / H6033FB0 / H6033BR / H6033BR0



H6038FB / H6038FB0 / H6038BR / H6038BR0

