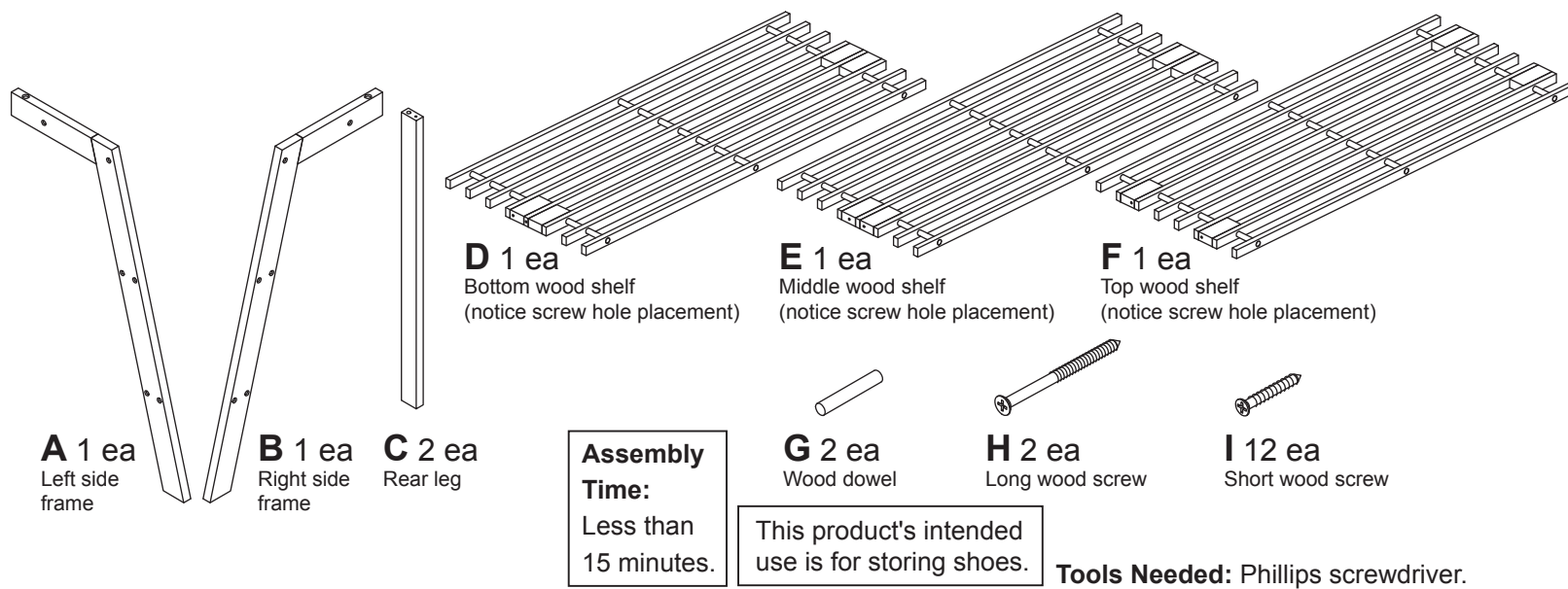


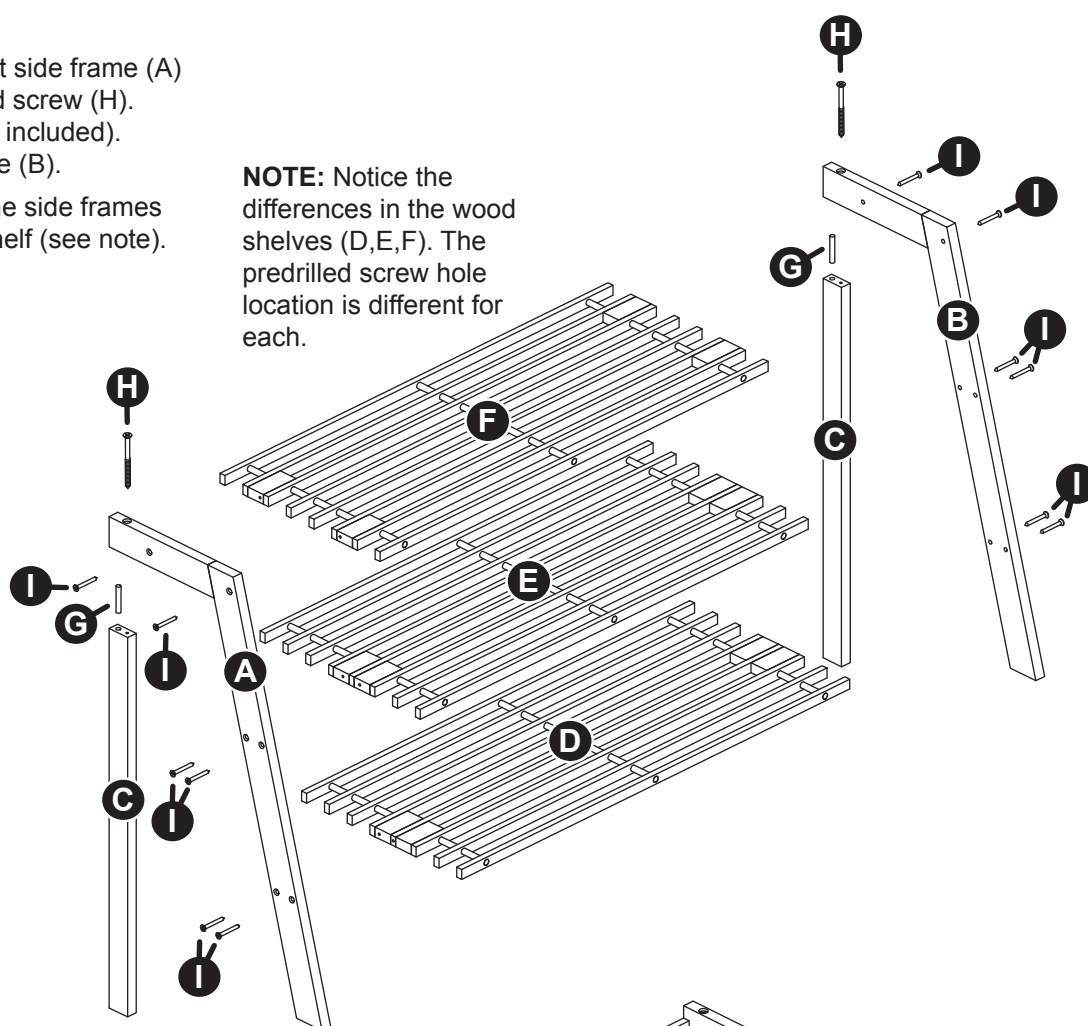
6026-8804 Wood Shoe Rack ©2018 Whitmor, Inc.



STEP 1. Attach a rear leg (C) to the left side frame (A) using a wood dowel (G) and long wood screw (H). Tighten with a Phillips screwdriver (not included). Repeat this step for the right side frame (B).

STEP 2. Install each shelf (D,E,F) to the side frames using four short wood screws (I) per shelf (see note).

NOTE: Notice the differences in the wood shelves (D,E,F). The predrilled screw hole location is different for each.



Part	Reference
A	F9665
B	F9666
C	F9667
D	F9668
E	F9669
F	F9670
G	F9671
H	F9672
I	F9673

MADE IN CHINA



8680 Swinnea Road • Suite 103 • Southaven, MS • 38671

NEED HELP? For help with assembly, or if you are missing a part, please call Whitmor's Consumer Care Team, 1-888-944-8667 between 8 a.m. and 4:30 p.m. (Central Standard Time) Monday through Friday. Or email: help@whitmor.com. Visit us online at www.whitmor.com

