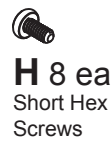
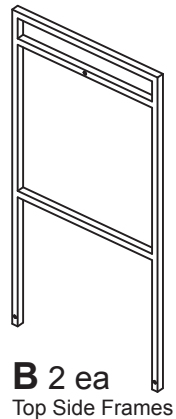
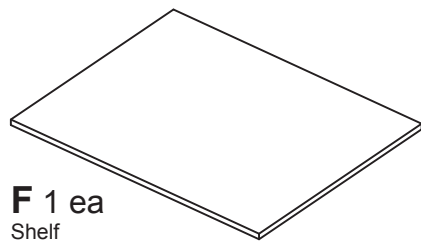
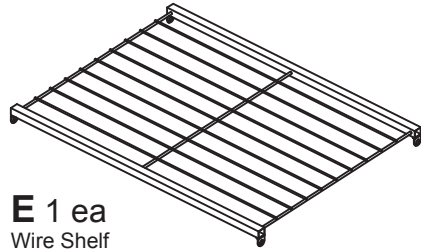
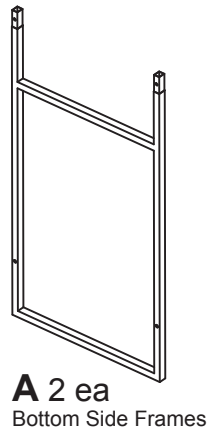


6764-11413 Modern Industrial Wardrobe

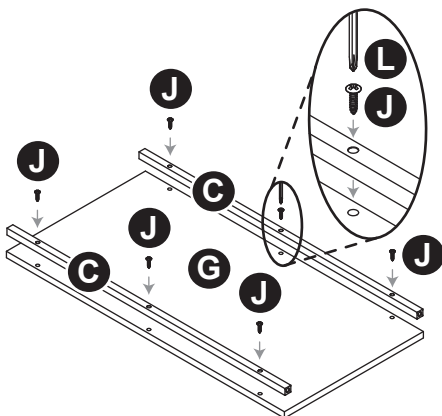


Part	Reference
A	F10992
B	F10993
C	F10994
D	F10995
E	F10996
F	F10997
G	F10724
H	F10998
I	F10999
J	F10725
K	F11000
L	F10726

No Additional Tools Required

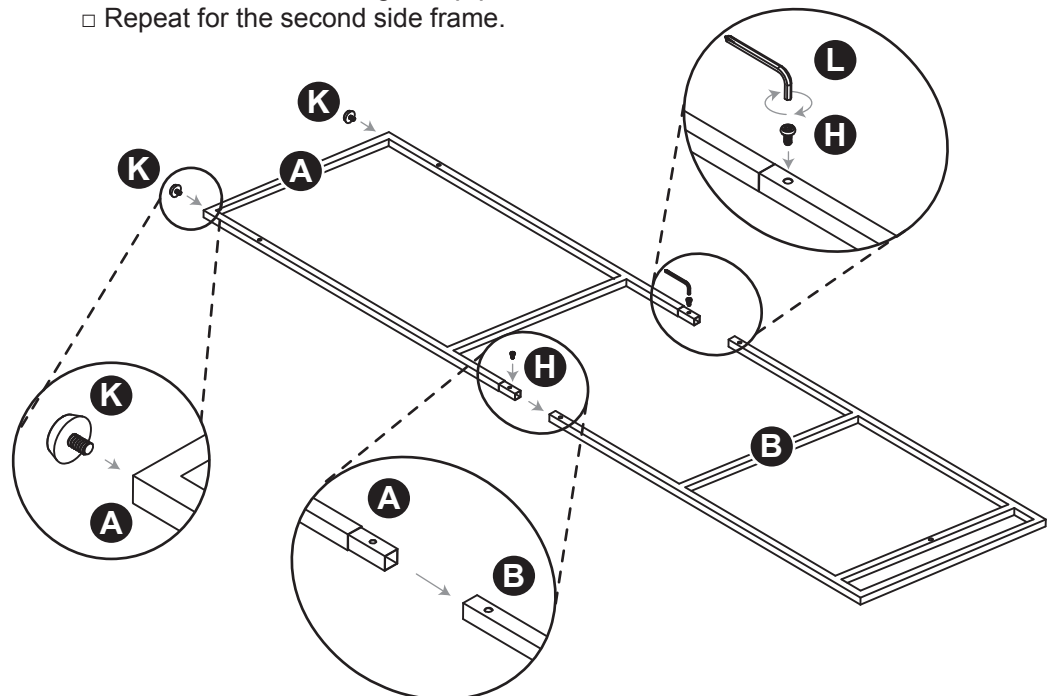
STEP 1: Prepare the shelf

- Attach two horizontal supports (C) to the bottom side of the shelf (F) using the pre-drilled holes and six Phillips screws (J).
- Tighten with the long side of multi-tool (L).



STEP 2: Assemble the side frames

- Insert bottom side frame (A) into the top side frame (B). **NOTE:** make sure holes of the connecting tubes on bottom side frame (A) and top side frame (B) align.
- Secure using two short hex screws (H) and tighten with the short side of multi-tool (L).
- Hand screw two leveling feet (K) into the bottom of the side frame.
- Repeat for the second side frame.



NOTE: make sure holes of the connecting tubes on bottom side frame (A) and top side frame (B) align.

6764-11413 Modern Industrial Wardrobe

STEP 3a: Install the shelf

- For ease of assembly place the unit on its back.
- Follow the drawing below to install the shelf (F) between two side frames.
- NOTE:** the screw heads on the side frames must face outwards.
- Use four long hex screws (G) and

tighten with the short side of multi-tool (L).

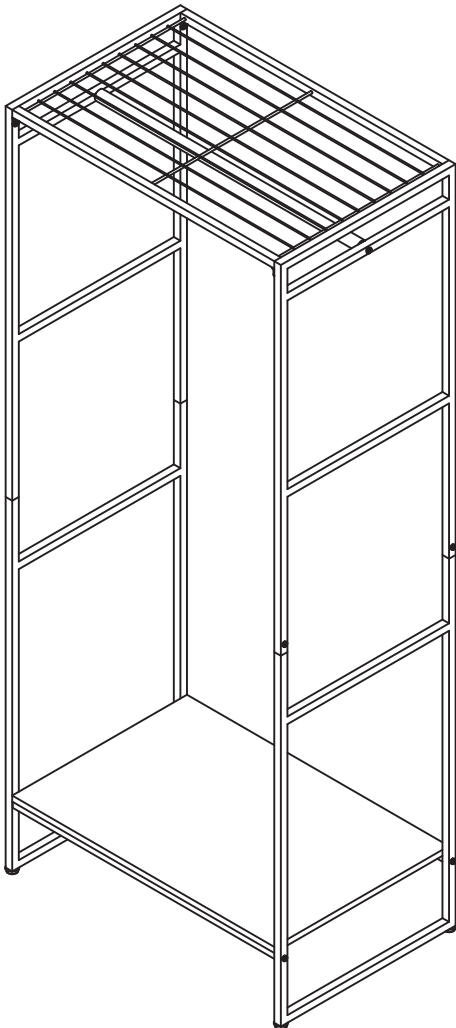
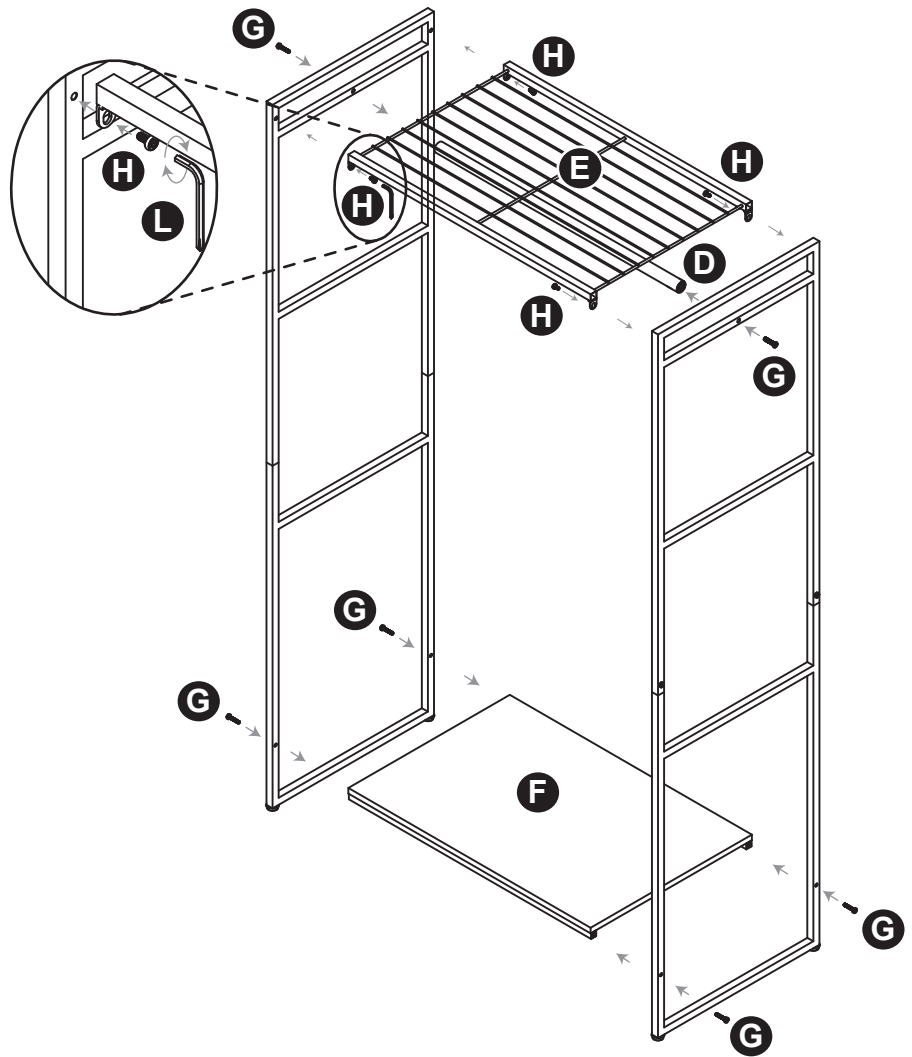
STEP 3b: Install the hanging rod

- Follow the drawing below to install the hanging rod (D).
- Use two medium hex screws (I) and

hand-tighten.

STEP 3c: Install the wire shelf

- Follow the drawing below to install the wire shelf (E).
- Use four short hex screws (H) and hand-tighten.
- Tighten all of the screws using the short side of multi-tool (L).



8680 Swinnea Road • Suite 103 • Southaven, MS • 38671

NEED HELP? For help with assembly, or if you are missing a part, please call Whitmor's Consumer Care Team, 1-888-944-8667 between 8 a.m. and 4:30 p.m. (Central Standard Time) Monday through Friday. Or email: help@whitmor.com. Visit us online at www.whitmor.com