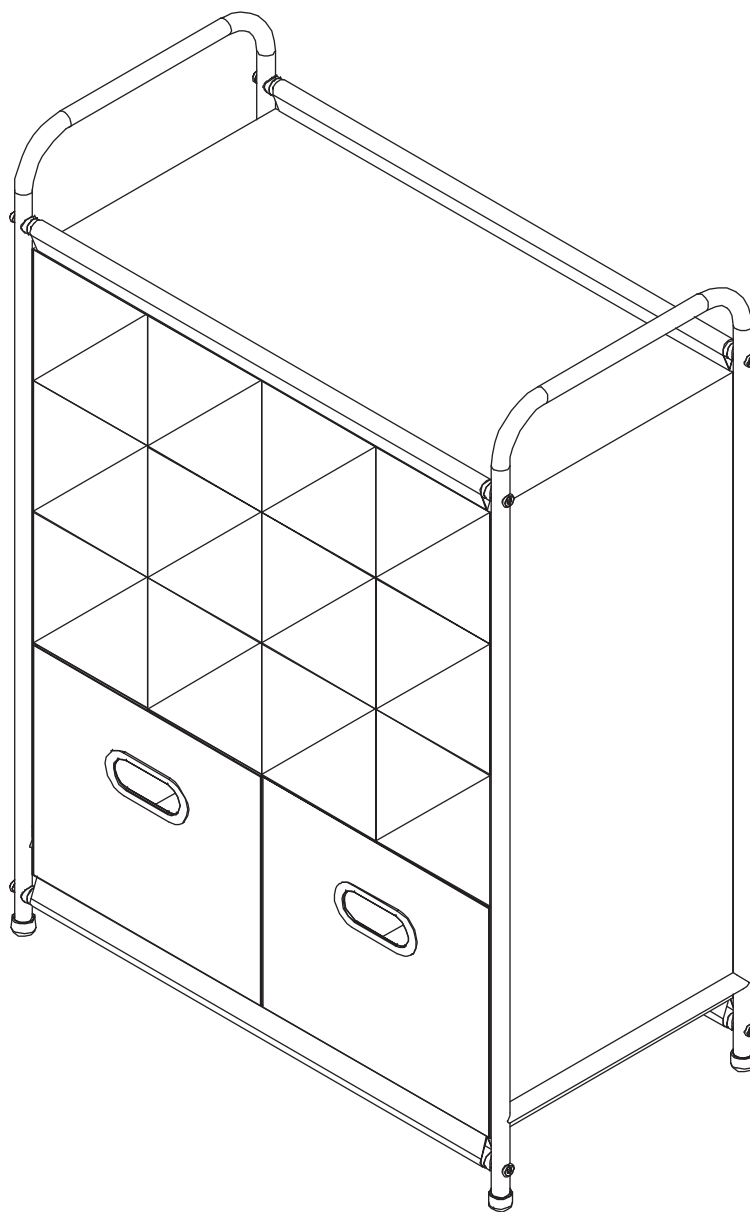


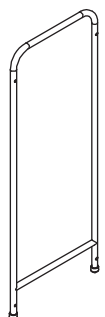
# 5455-10143 Shoe Storage with Drawers



Part	Reference
A	F10712
B	F10713
C	F10714
D	F10715
E	F10716
F	F10717
G	F10718
H	F11320



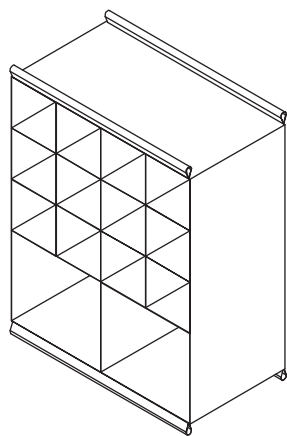
No additional tools required



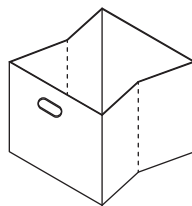
**A 2 ea**  
Side Frames



**B 4 ea**  
Tubes



**C 1 ea**  
Shelves



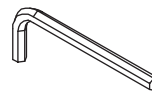
**D 2 ea**  
Collapsible Cubes



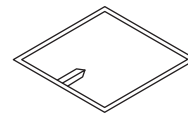
**E 8 ea**  
Hex Screws



**F 8 ea**  
Spacers



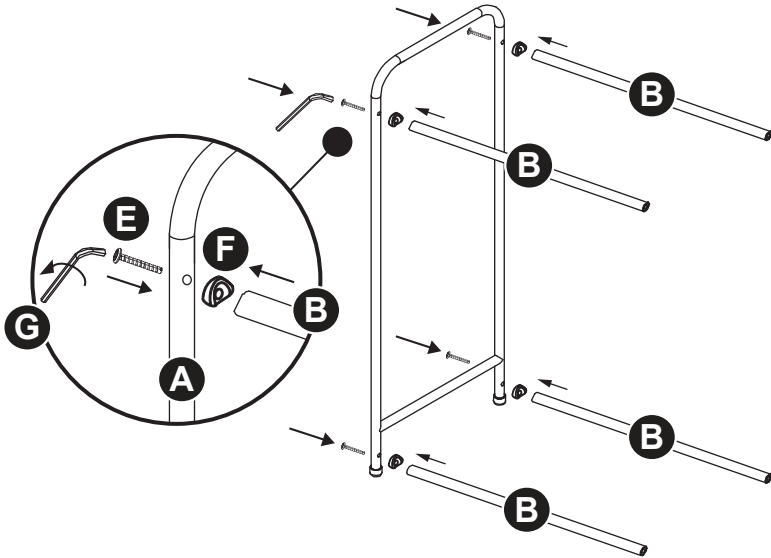
**G 1 ea**  
Hex Wrench



**H 2 ea**  
Collapsible Cube Inserts

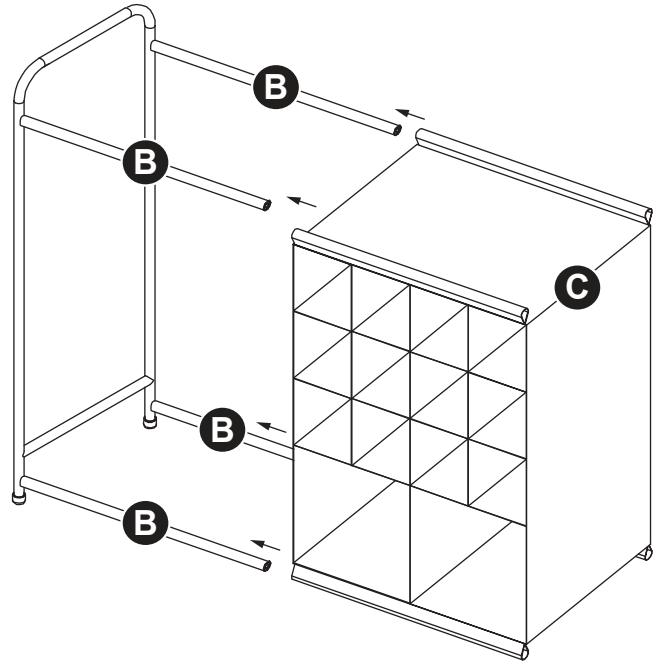
## STEP 1:

- Attach the four tubes (B) onto one side frame (A) using four hex screws (E) and four spacers (F). **NOTE:** Attach the screws by hand; when all screws are attached, tighten with a hex wrench (G).



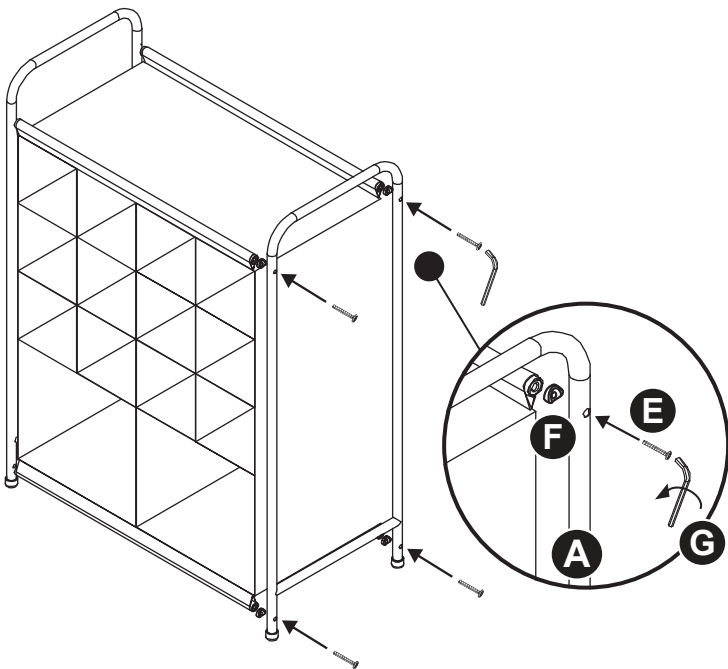
## STEP 2:

- Slide the sleeves of the shelves (C) onto the four tubes (B). **NOTE:** Make sure two large drawer cubbies are at the bottom.



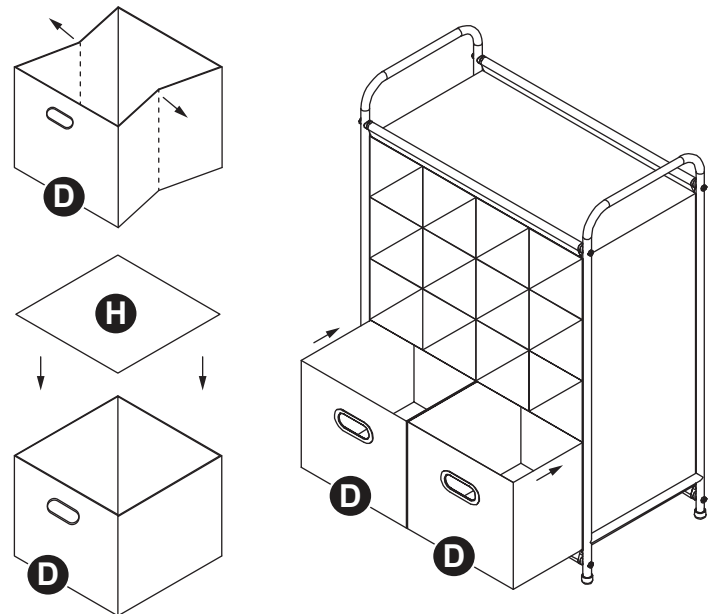
## STEP 3:

- Attach the remaining side frame (A) using four hex screws (E) and four spacers (F). **NOTE:** Attach the screws by hand; when all screws are attached, tighten with a hex wrench (G).



## STEP 4:

- Unfold the two collapsible cubes (D).
- Place the two collapsible cube inserts (H) into the collapsible cubes (D).
- Slide the cubes (D) into the bottom cubbies.



8680 Swinnea Road • Suite 103 • Southaven, MS • 38671

**NEED HELP?** For help with assembly, or if you are missing a part, please call Whitmor's Consumer Care Team, 1-888-944-8667 between 8 a.m. and 4:30 p.m. (Central Standard Time) Monday through Friday. Or email: [help@whitmor.com](mailto:help@whitmor.com). Visit us online at [www.whitmor.com](http://www.whitmor.com)