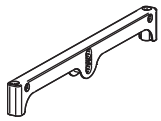


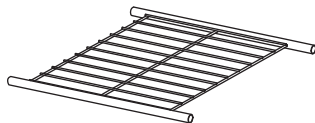
# 6779-4415 5-Tier Closet Tower

**Part Reference**

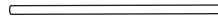
A	F12669
B	F12670
C	F12671



**A** 10 ea  
End Connectors



**B** 5 ea  
Shelves



**C** 16 ea  
Vertical Poles

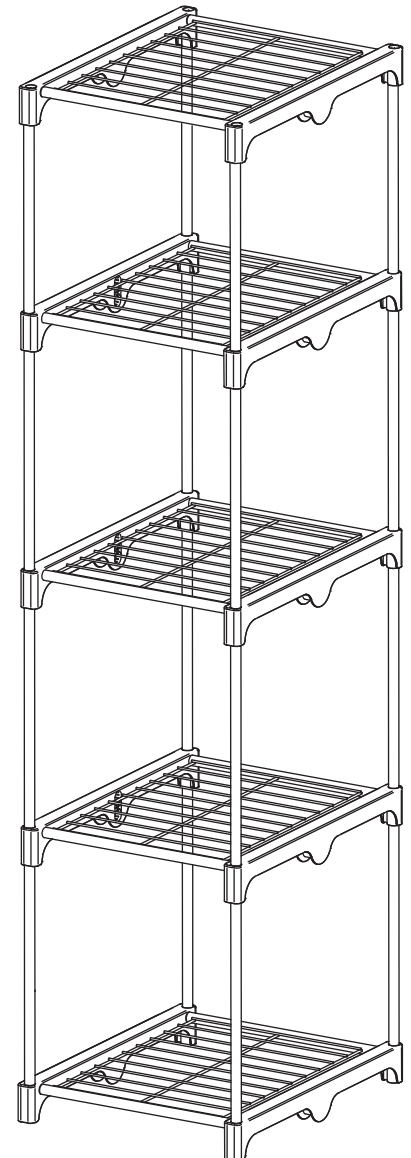
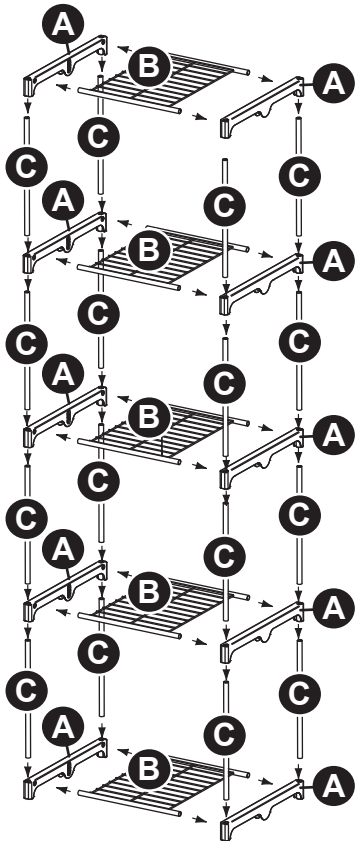
**No tools required.**

**STEP 1:**

- Insert ends of shelf (**B**) into holes in two end connectors (**A**).
- Repeat for each of the five shelves.

**STEP 2:**

- Building up from the bottom insert four vertical poles (**C**) into holes in top of end connectors (**A**).
- Place one of the assembled shelves from **Step 1** onto the four poles.
- Repeat for each of the five shelves.



8680 Swinnea Road • Suite 103 • Southaven, MS • 38671

**NEED HELP?** For help with assembly, or if you are missing a part, please call Whitmor's Consumer Care Team, 1-888-944-8667 between 8 a.m. and 4:30 p.m. (Central Standard Time) Monday through Friday. Or email: [help@whitmor.com](mailto:help@whitmor.com). Visit us online at [www.whitmor.com](http://www.whitmor.com)