

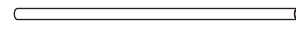
A 2 ea
Shelves (pre-assembled)



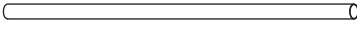
E 3 ea
Feet



F 4 ea
Shelf Locking Collars



I 1 ea
Hanging Rod



B 3 ea
Bottom Vertical Poles



C 3 ea
Middle Vertical Poles



D 3 ea
Top Vertical Poles with Claws



G 3 ea
Pole Locks
(pre-assembled)

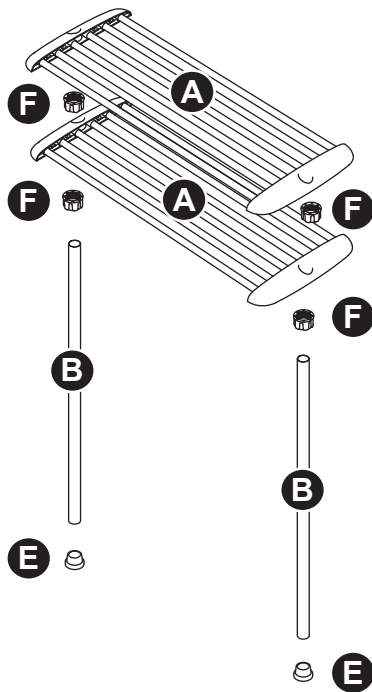


H 2 ea
Hanging Rod Locks
(pre-assembled)

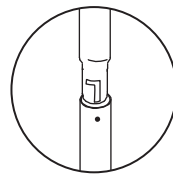
Part	Reference
A	F12306
B	F12307
C	F12308
D	F12309
E	F12310
F	F12311
G	F12312
H	F12421
I	F12422

No tools required.

STEP 1: Start by sliding shelf locking collar (F), then shelf (A) onto bottom two bottom vertical poles (B). Repeat for second shelf assembly. Insert two feet (E) into bottom of bottom vertical poles (B).

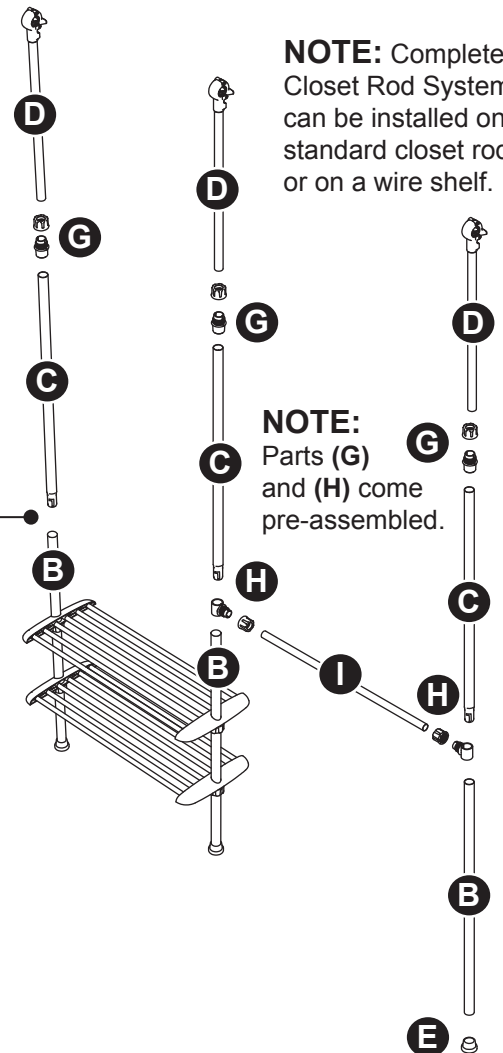


STEP 2: Loosen two hanging rod lock assemblies (H) and slide onto one side of assembled shelf section from step 1. Slide the other (H) onto remaining bottom vertical pole (B). Insert each end of hanging rod (I) into (H) on both and tighten. Insert and lock all three middle vertical poles (C) by sliding into (B) and locking. Hanging rod can now be repositioned higher onto vertical pole (C) if desired. Insert remaining foot (E) onto bottom of (B).



NOTE: "L" shaped indentation on middle bar must align to "dimple" indentation on bottom bar. When aligned, push down and twist right to lock. Bars should be able to twist freely even with shelves on them.

STEP 3: Place three vertical pole lock assemblies (G) onto top of middle vertical poles (C). Insert top vertical poles with claw (D) and tighten (G).



NOTE: Completed Closet Rod System can be installed on a standard closet rod, or on a wire shelf.

NOTE: Parts (G) and (H) come pre-assembled.