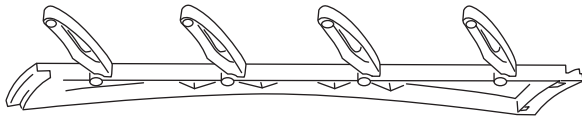


6486-1746-WHT



36-Pair Over The Door Shoe Rack ©2019 Whitmor, Inc.



A 3 ea
Right side frames

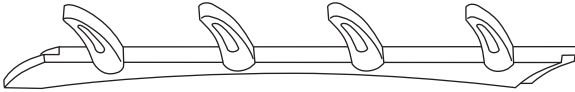


C 2 ea
Over the door brackets

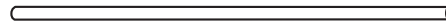


E 4 ea
Male & female
hook and loop dots

Part	Reference
A	F6666
B	F6667
C	F8106
D	F6669
E	F6670



B 3 ea
Left side frames

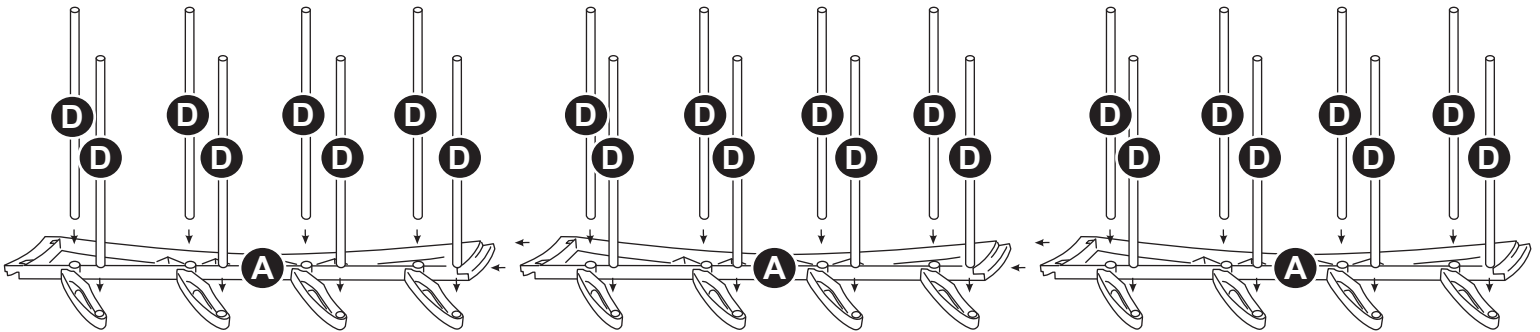


D 24 ea
Horizontal poles

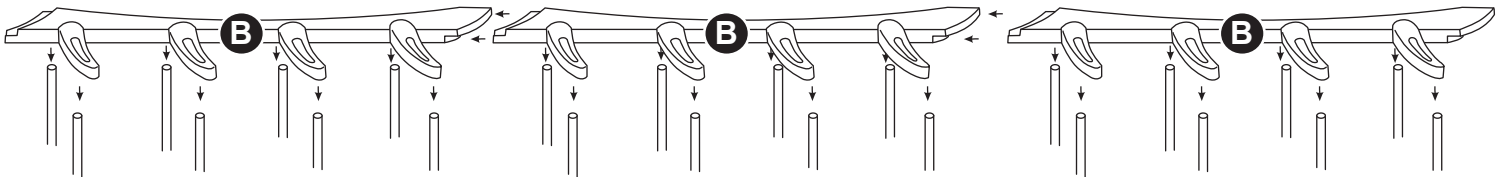
U.S. Patent No. D598,218 &
U.S. Patent No. 7,762,406

Tools Needed: No tools required.

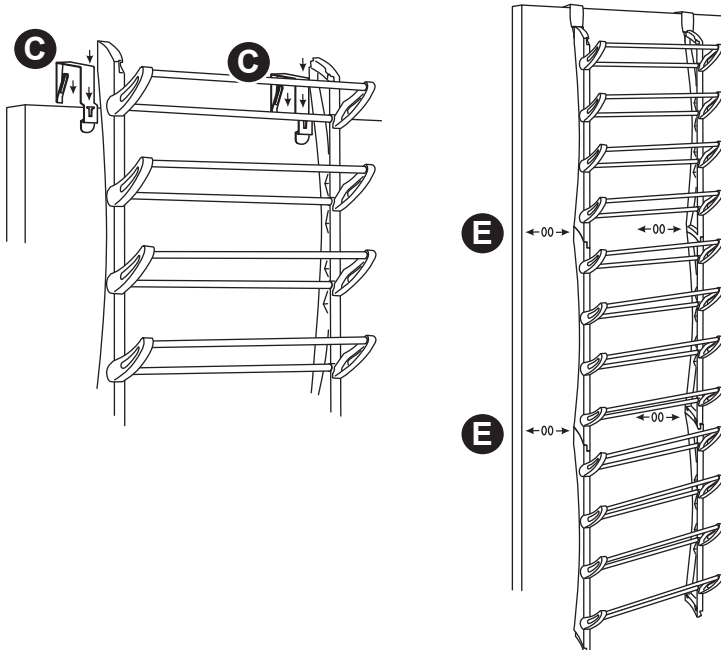
STEP 1: Place three right side frames (A) on a flat hard surface. Snap each side frame together. Insert 24 horizontal poles (D) into holes in each side frame.



STEP 2: Place three left side frames (B) on a flat hard surface. Snap each side frame together. Place assembled left side frames onto top of poles aligning poles with the holes in side frame. Press down firmly until poles are seated into holes.



STEP 3: Place the two over the door brackets (C) on the top of the door. Snap assembled shoe rack onto door brackets as shown below. Peel off backing and place male & female hook and loop dots (E) on bottom of rack and door where the rack rests on the door.



NOTE: Bars can be folded up for optional hightop shoe or boot storage.

8680 Swinnea Road • Suite 103 • Southaven, MS • 38671

NEED HELP? For help with assembly, or if you are missing a part, please call Whitmor's Consumer Care Team, 1-888-944-8667 between 8 a.m. and 4:30 p.m. (Central Standard Time) Monday through Friday. Or email: help@whitmor.com. Visit us online at www.whitmor.com