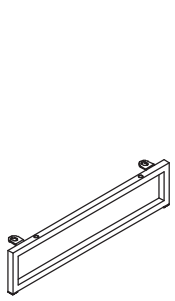


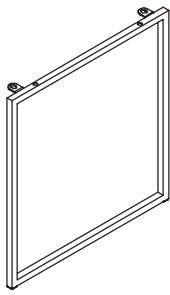
6764-11350 Modern Industrial 3-Tier Shelf



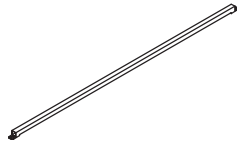
Part	Reference
A	F10895
B	F10896
C	F10897
D	F10898
E	F10899
F	F10900
G	F10901
H	F10902



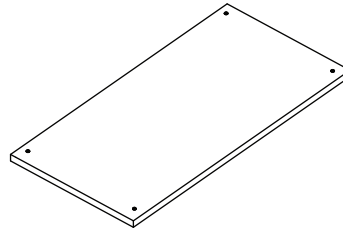
A 2 ea
Feet



B 4 ea
Side frames

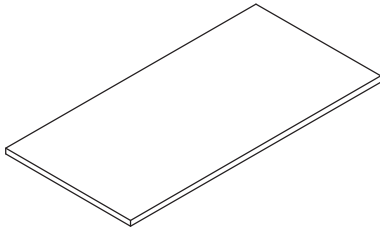


C 3 ea
Middle Bar



D 2 ea
Shelves

No additional tools required.



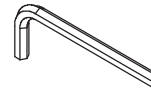
E 1 ea
Top



F 18 ea
Short screws



G 8 ea
Long screws

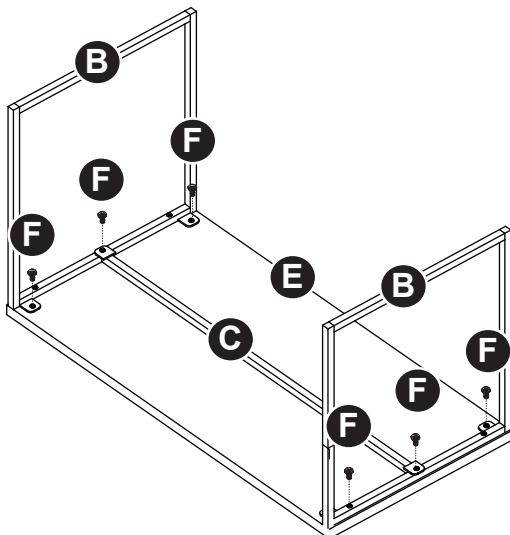


H 1 ea
Hex wrench

Note: Please assemble on soft surface. Assembly sequence starts upside down with the top of the item.

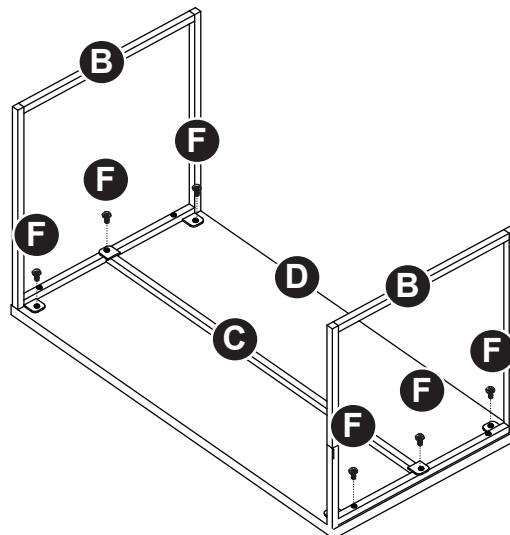
STEP 1: Assemble top tier.

- Place top (**E**) down with holes facing up.
- Attach two side frames (**B**) to top (**E**) using four short screws (**F**) and the hex wrench (**H**).
- Attach middle bar (**C**) using two short screws (**F**). Tighten screws



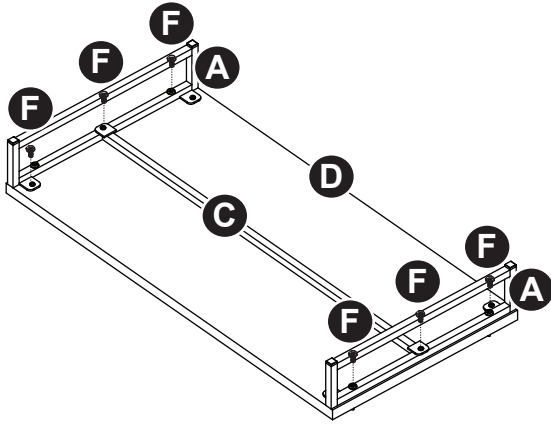
STEP 2: Assemble middle tier.

- Place shelf (**D**) down with holes facing up.
- Attach two side frames (**B**) to the shelf (**D**) using four short screws (**F**) and the hex wrench (**H**).
- Attach middle bar (**C**) using two short screws (**F**). Tighten screws by hand.



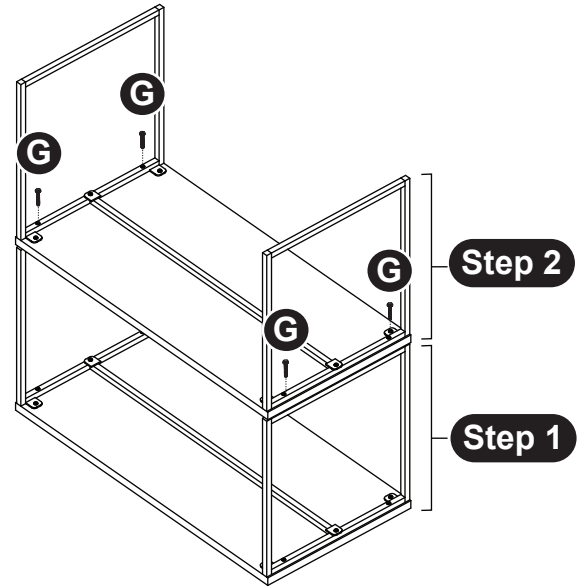
STEP 3: Assemble bottom tier.

- Place shelf (D) down with holes facing up.
- Attach two feet (A) to the shelf (D) using four short screws (F) and the hex wrench (H).
- Attach middle bar (C) using two short screws (F). Tighten screws by hand.



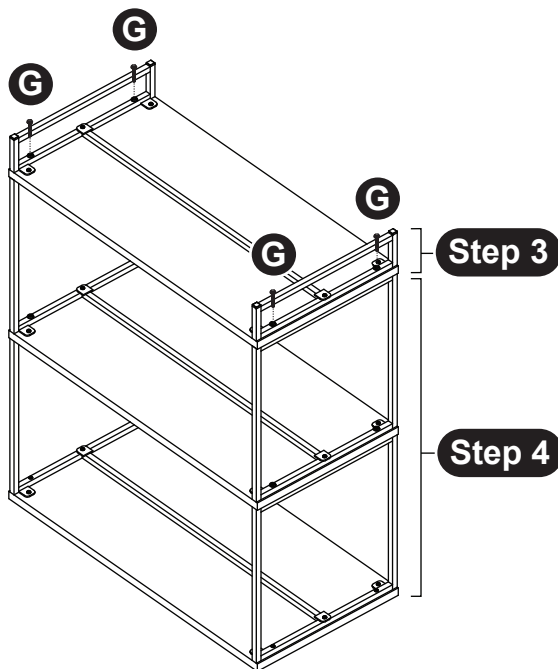
STEP 4: Attach top to middle section.

- Place top section (from Step 1) down on flat surface.
- Place middle section (from Step 2) on top.
- Secure with four long screws (G). Tighten screws by hand.



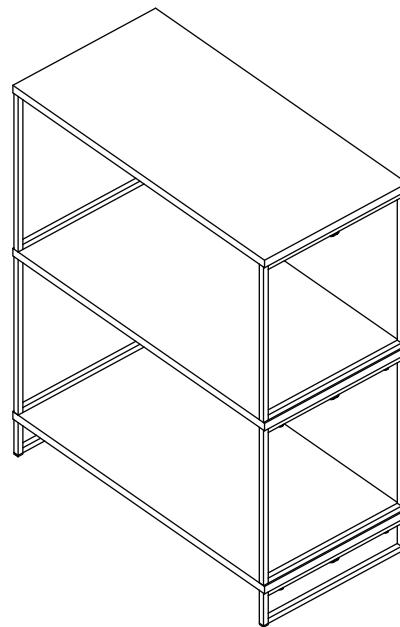
STEP 5: Attach bottom to middle section.

- Place bottom section (from Step 3) onto assembly (from Step 4).
- Secure with four long screws (G). Tighten screws by hand.



STEP 6: Finish assembly.

- Tighten all screws with hex wrench (H) before turning right-side up.



8680 Swinnea Road • Suite 103 • Southaven, MS • 38671

NEED HELP? For help with assembly, or if you are missing a part, please call Whitmor's Consumer Care Team, 1-888-944-8667 between 8 a.m. and 4:30 p.m. (Central Standard Time) Monday through Friday. Or email: help@whitmor.com. Visit us online at www.whitmor.com