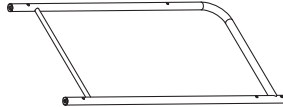



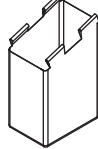









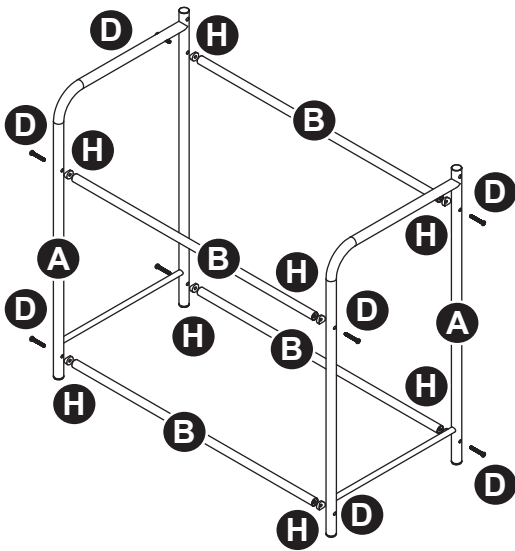
# 6705-7885-BB Triple Sorter & Folding Table ©2019 Whitmor, Inc.



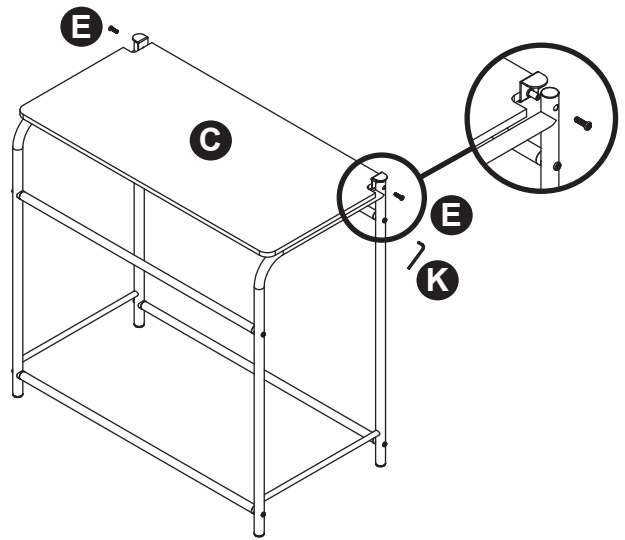
 <b>A 2 ea</b> Side frame	 <b>C 1 ea</b> Table top	 <b>E 2 ea</b> Short screw	 <b>G 2 ea</b> Wheel with lock	 <b>I 3 ea</b> Sorter bag	 <b>K 1 ea</b> Hex wrench	 <b>L 1 ea</b> Wrench
 <b>B 4 ea</b> Horizontal bar	 <b>D 8 ea</b> Long screw	 <b>F 2 ea</b> Wheel	 <b>H 8 ea</b> Plastic washer	 <b>J 6 ea</b> Bag hanger	<b>No additional tools required.</b>	

Part	Reference
A	F10479
B	F10480
C	F10481
D	F10482
E	F10483
F	F10484
G	F10485
H	F10486
I	F10487
J	F10488
K	F10489
L	F10490

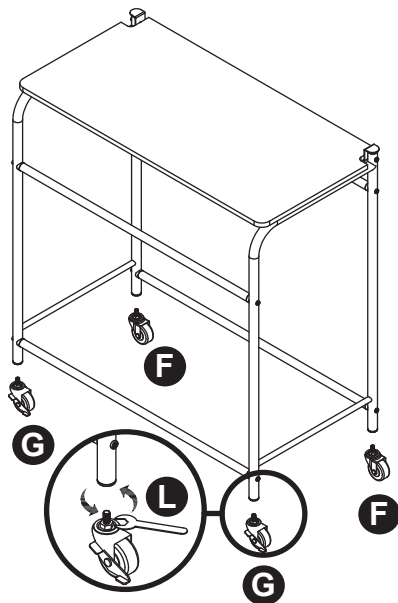
**STEP 1:** Assemble four horizontal bars (B) between the two side frames (A) with plastic washers (H) between them. Use long screws (D) to attach. Do not tighten screws at this point, they will be tightened later.



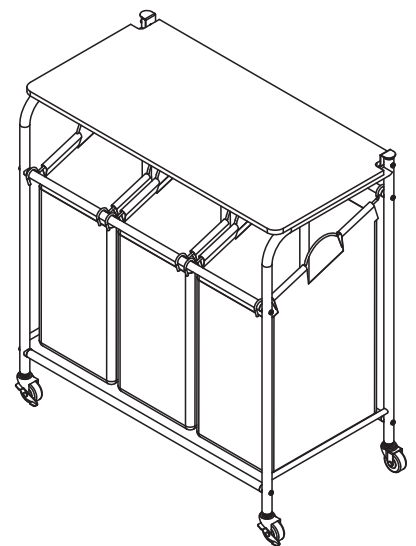
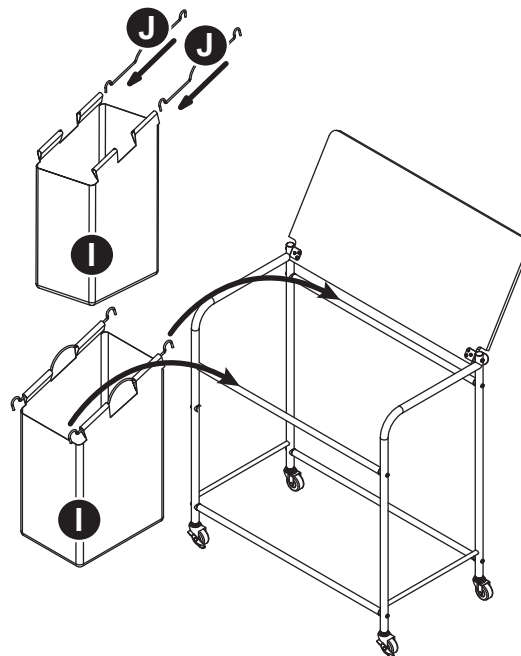
**STEP 2:** With the screws still loose from Step 1, insert the table top (C) into the top holes of the side frames (A). Insert short screws (E) and tighten with hex wrench (K). Now tighten all the long screws (D) from Step 1 using hex wrench (K).



**STEP 3:** Install the wheels (F & G) by screwing into the bottom of side frames (A). Tighten with wrench (L).



**STEP 4:** Insert two bag hangers (J) into the handles of the sorter bags (I). Place the sorter bags onto the upper horizontal bars (B).



8680 Swinnea Road • Suite 103 • Southaven, MS • 38671

**NEED HELP?** For help with assembly, or if you are missing a part, please call Whitmor's Consumer Care Team, 1-888-944-8667 between 8 a.m. and 4:30 p.m. (Central Standard Time) Monday through Friday. Or email: [help@whitmor.com](mailto:help@whitmor.com). Visit us online at [www.whitmor.com](http://www.whitmor.com)