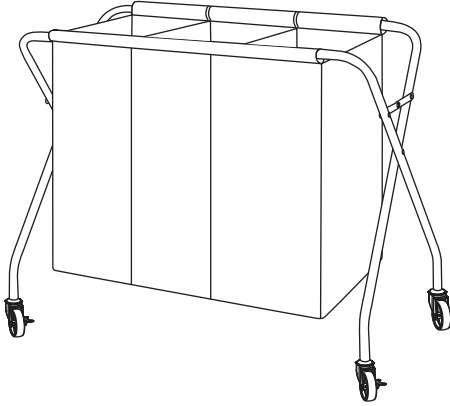


6705-569 Deluxe Laundry Sorter



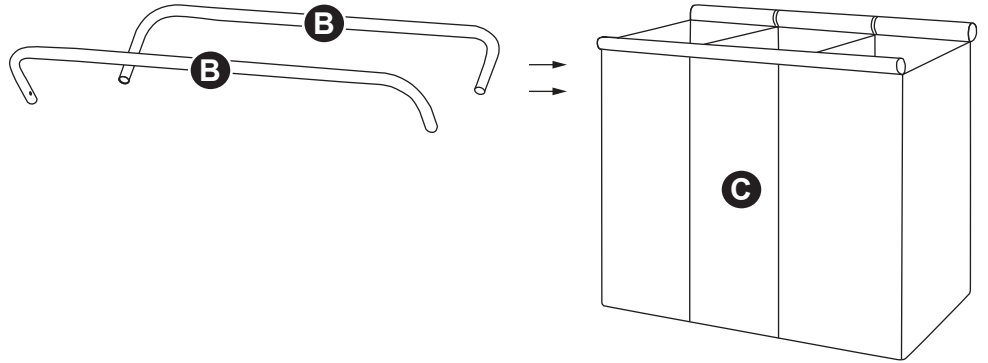
Part	Reference
A	F12328
B	F12329
C	F12330
D	F12331
E	F12332
F	F12333

No tools required.



STEP 1:

□ Insert horizontal bars (B) into sorter bag (C).



STEP 2:

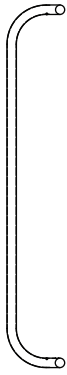
- Connect horizontal bars (B) to x-frames (A).
- Insert four plastic end plugs (D).
- Insert four wheels (E).

NOTE:

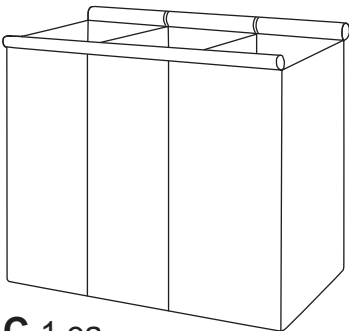
Sorter bag should be hand washed in cold water with non-chlorine bleach only.



A 2 ea
X-Frames



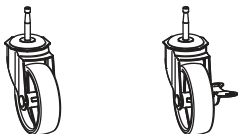
B 2 ea
Horizontal Bars



C 1 ea
Sorter Bag



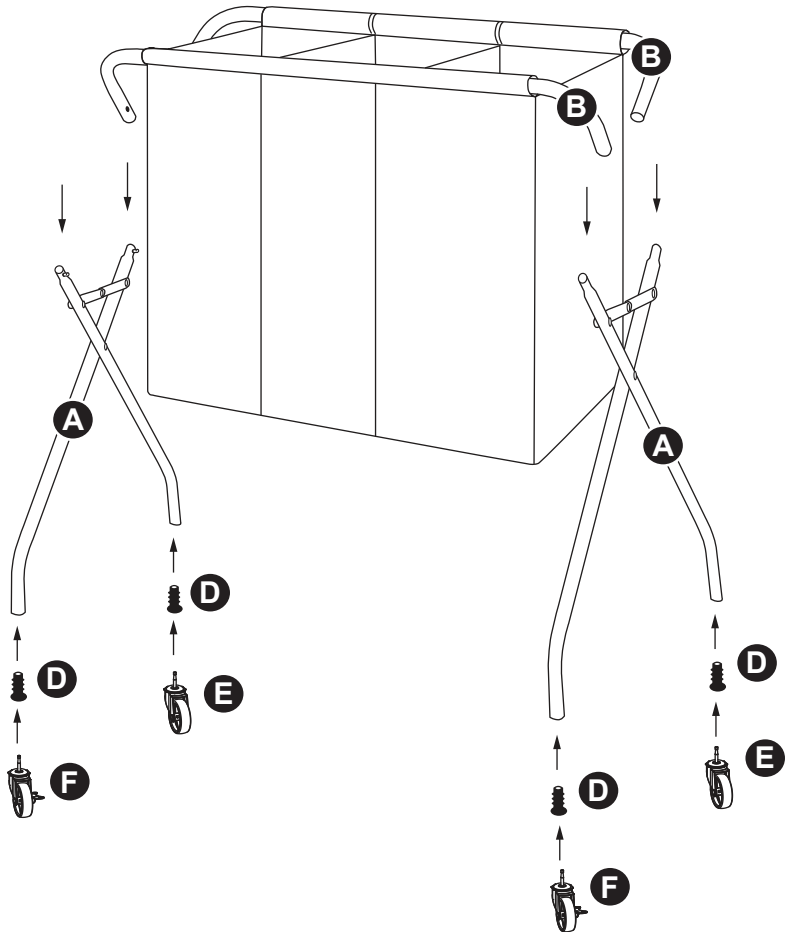
D 4 ea
Plastic End Plugs (may be preassembled)



E 2 ea
Wheels



F 2 ea
Locking Wheels



8680 Swinnea Road • Suite 103 • Southaven, MS • 38671

NEED HELP? For help with assembly, or if you are missing a part, please call Whitmor's Consumer Care Team, 1-888-944-8667 between 8 a.m. and 4:30 p.m. (Central Standard Time) Monday through Friday, or email: help@whitmor.com. Visit us online at www.whitmor.com