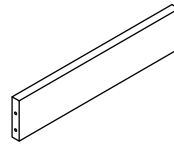
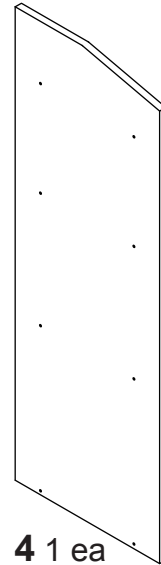


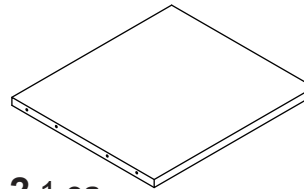
**PARTS:**



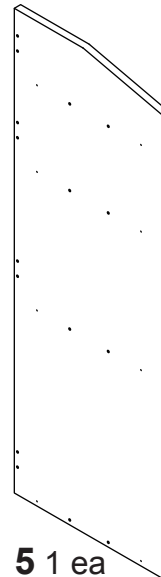
**1 4 ea**  
Back Panels



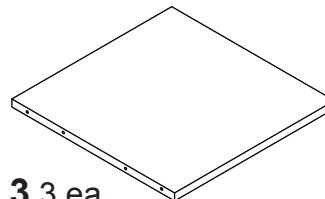
**4 1 ea**  
Left Side



**2 1 ea**  
Top Short Shelf



**5 1 ea**  
Right Side



**3 3 ea**  
Lower Shelves

**PLEASE CALL BEFORE RETURNING TO STORE!**

Call Whitmor's Consumer Care Team for replacement parts and/or assembly questions!  
**Toll Free in the USA: 1-888-944-8667**  
 between 8 a.m. and 4:30 p.m. (CST), Monday - Friday  
 or email from anywhere: [help@whitmor.com](mailto:help@whitmor.com)

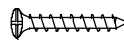
Please include contact name, phone number, product style, description of issue and best time to contact.



8680 Swinnea Road • Suite 103 • Southaven, Mississippi 38671

Visit our web site to find more great home organizing items! [www.whitmor.com](http://www.whitmor.com)

**HARDWARE:**



**A 16 ea**  
Screws



**C 16 ea**  
Screw Covers



**B 32 ea**  
Dowels

**Part Reference**

Part	Reference
1	F11431
2	F11433
3	F11434
4	F11435
5	F11436
A	F11437
B	F11438
C	F11439

**Tools Needed:**  
Phillips screwdriver

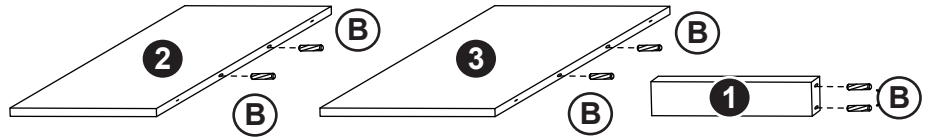
**SAFETY PRECAUTIONS:**



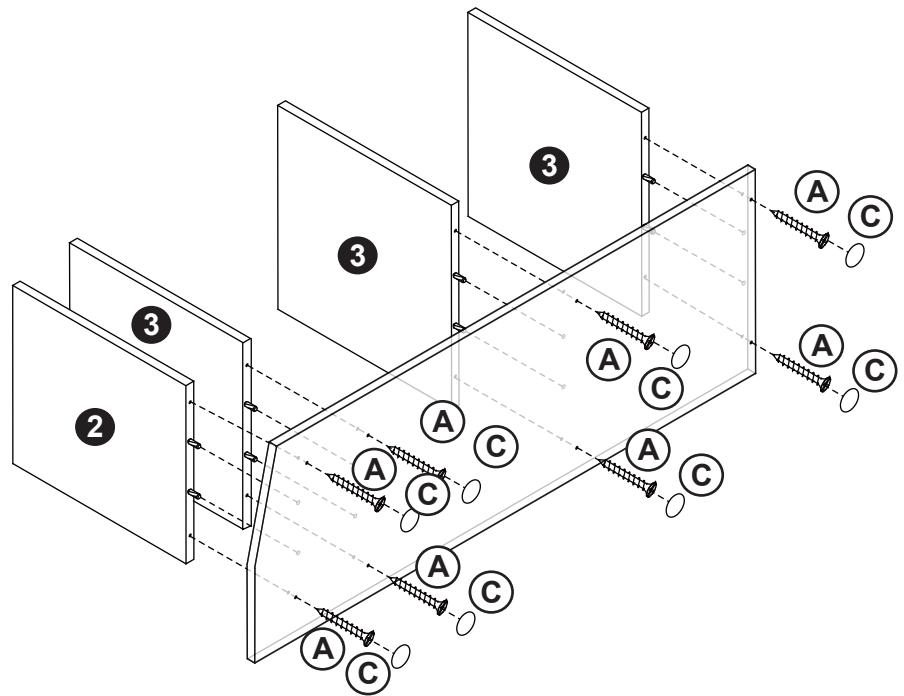
**WARNING**

- This unit contains small parts which could be a choking hazard for small children. Children should be under adult supervision at all times or serious injury could occur.
- Always unload unit prior to moving the unit. The weight of personal belongings can cause the unit to become unstable and either tip or collapse. Serious bodily injury and/or damage to personal belongings may occur.
- Do not overload unit. If any shelf, top, or bottom of unit bows or bends, it is overloaded. The shelf, top, or bottom could collapse and cause serious bodily injury and/or damage to personal belongings.
- Do not climb or step on the unit. The unit may become unstable and either tip or collapse. Serious bodily injury and/or damage to personal belongings may occur.
- Do not mount or attach anything to the sides, rear or front of the unit as this can create a force which can cause the unit to tip. Serious bodily injury and/or damage to personal belongings may occur.
- Do not hang this unit on the wall. The product structure is not designed for wall hanging. Serious bodily injury, damage to personal belongings, and/or damage to the wall may occur.
- Follow proper safety procedures when using power tools and ladders (when applicable).
- We recommend you protect your work surface during assembly to prevent scratching or damage to table tops, wood floors, etc.

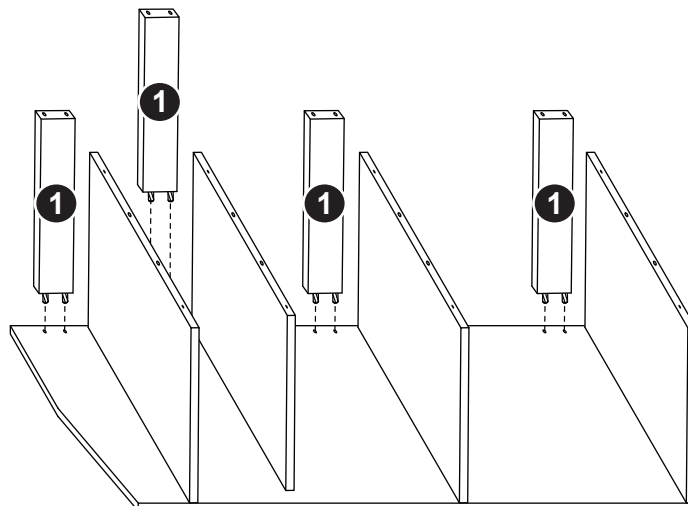
**STEP 1:** Follow the drawing below to insert 2 dowels (B) into each top short shelf (2), three lower shelves (3) and four back panels (1). **Note:** dowel holes are slightly larger.



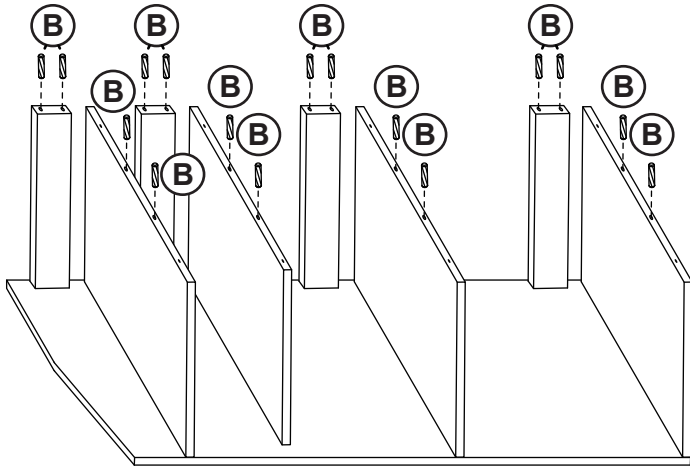
**STEP 2:** Follow the drawing below to place the dowels (B) on top short shelf (3) into the left side (1). Secure using 2 screws (A), tighten with a screwdriver (not included). Stick 2 screw covers (C) over the screw heads. Repeat this step to attach three lower shelves (3).



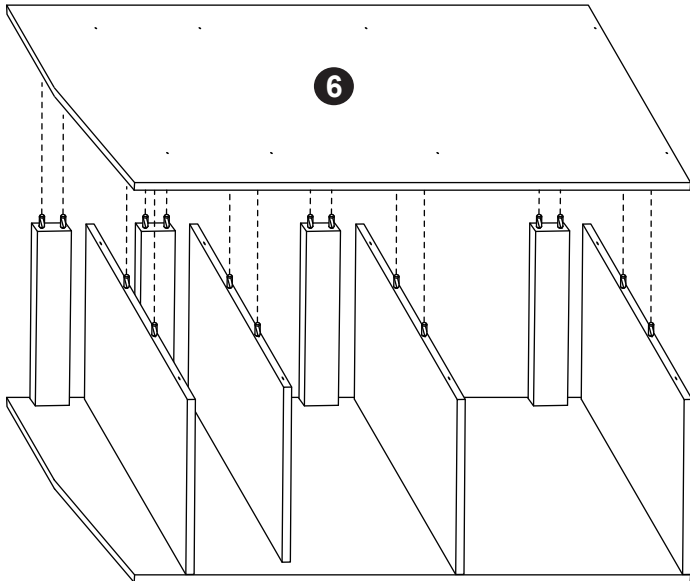
**STEP 3:** Follow the drawing below to place four back panels (1) into the inner side of the left side (5).



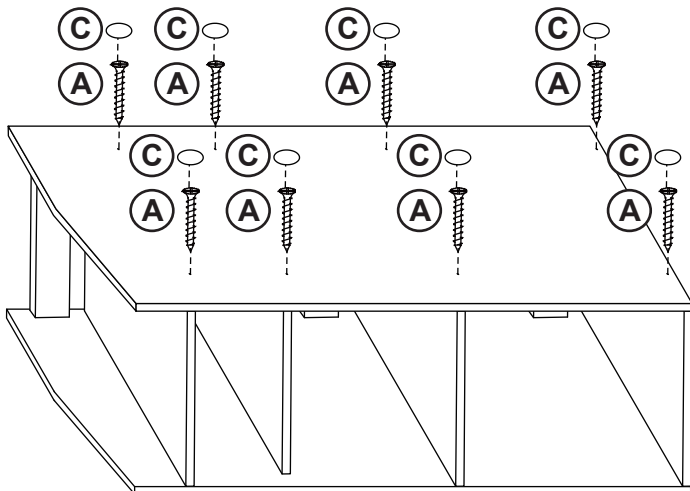
**STEP 4:** Turn the unit on the side. Follow the drawing below to insert 16 dowels (B) into the shelves and back panels. **Note:** dowel holes are slightly larger.

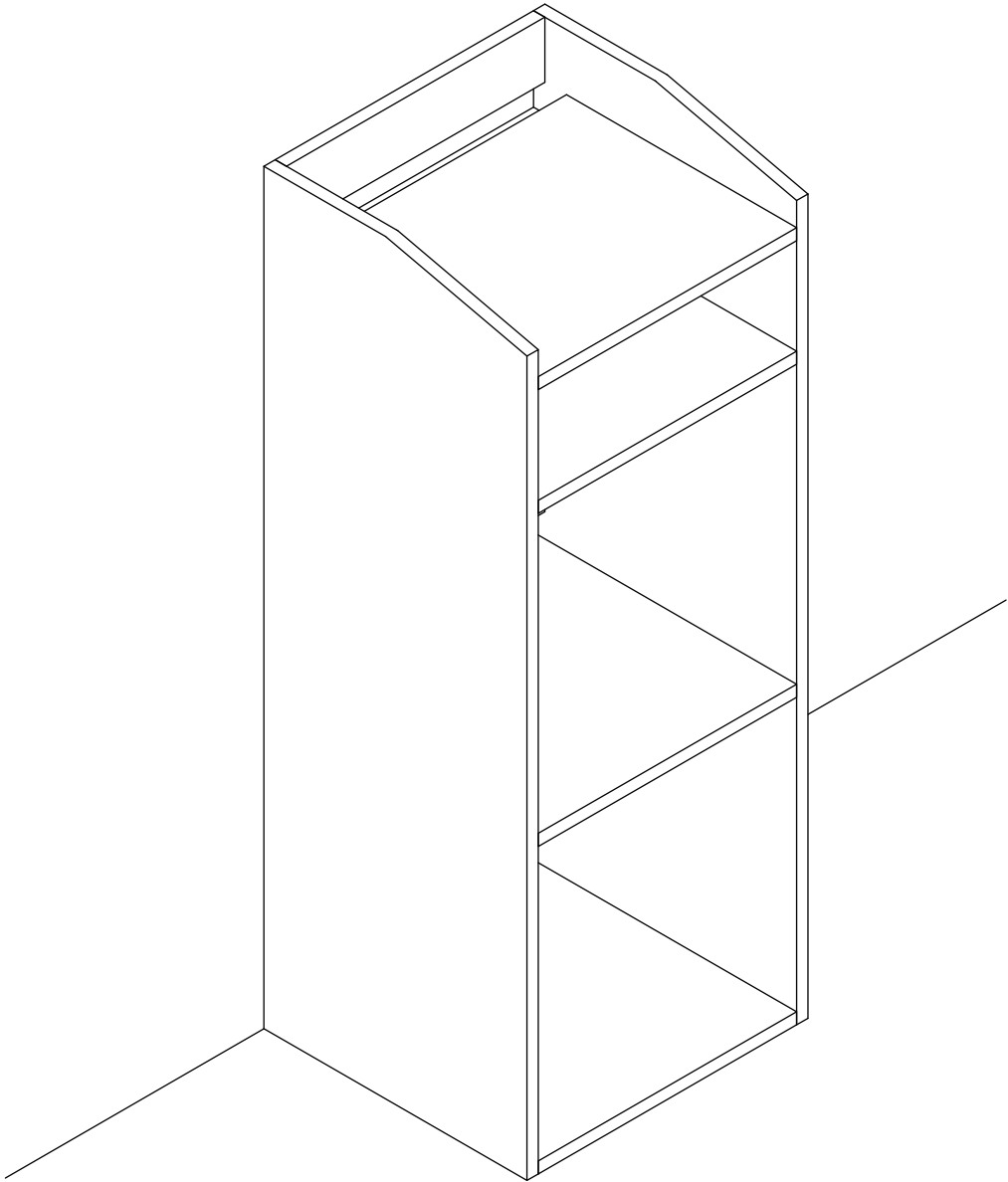


**STEP 5:** Place the right side (6) onto the 16 dowels (B).



**STEP 6:** Secure the right side (6) using 16 screws (A), tighten with a screwdriver (not included). Stick 16 screw covers (C) over the screw heads.





8680 Swinnea Road • Suite 103 • Southaven, MS • 38671

---

**NEED HELP?** For help with assembly, or if you are missing a part, please call Whitmor's Consumer Care Team, 1-888-944-8667 between 8 a.m. and 4:30 p.m. (Central Standard Time) Monday through Friday. Or email: [help@whitmor.com](mailto:help@whitmor.com). Visit us online at [www.whitmor.com](http://www.whitmor.com)

---