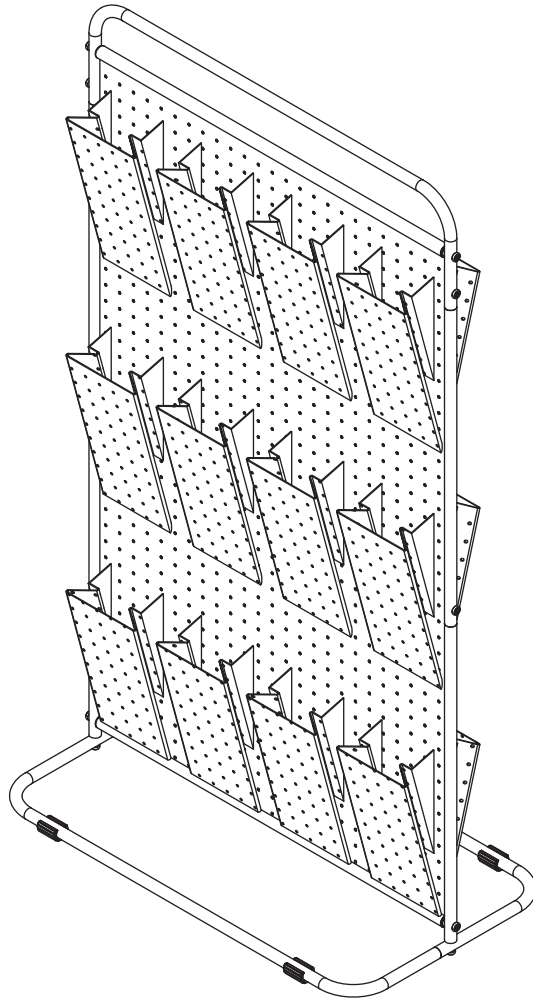
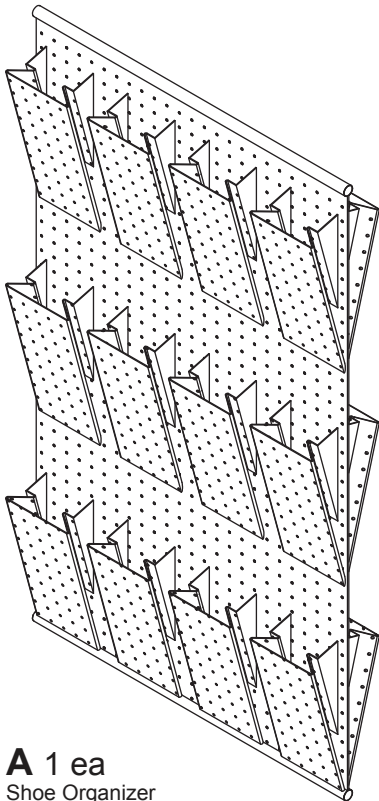


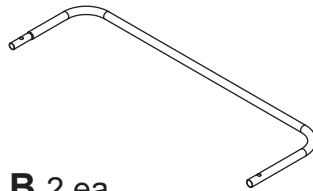
Part	Reference
A	F12745
B	F12746
C	F12747
D	F12748
E	F12749
F	F12750
G	F12751
H	F12752
I	F12753
J	F12754



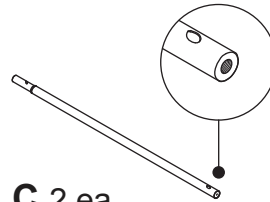
No additional tools required.



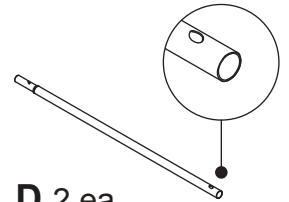
A 1 ea
Shoe Organizer



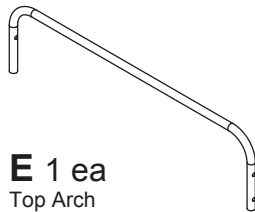
B 2 ea
Bases



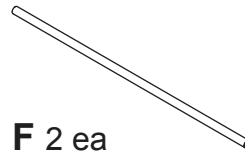
C 2 ea
Bottom Poles



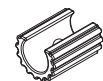
D 2 ea
Top Poles



E 1 ea
Top Arch



F 2 ea
Horizontal Tubes



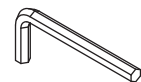
G 4 ea
Feet (may be pre-installed on **B**)



H 4 ea
Short Hex Screw



I 6 ea
Long Hex Screw

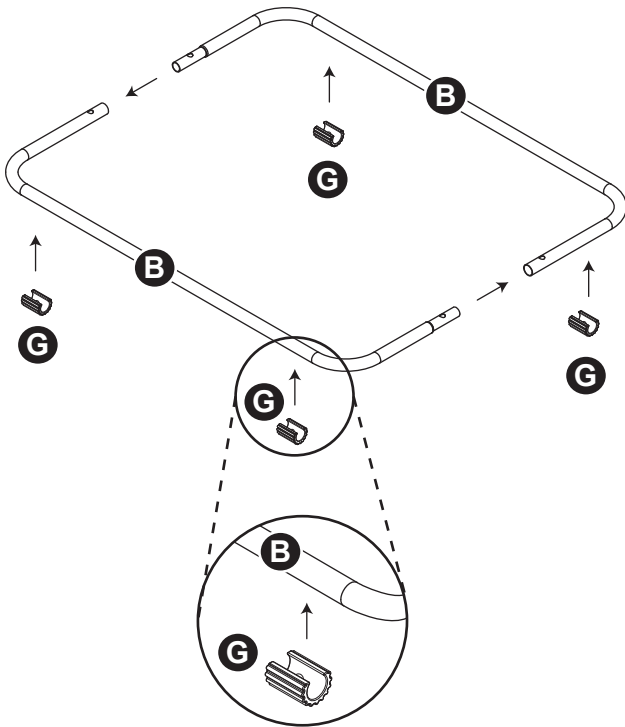


J 1 ea
Hex Wrench

**FOR EASE OF ASSEMBLY
ASSEMBLE ON A FLAT
SURFACE**

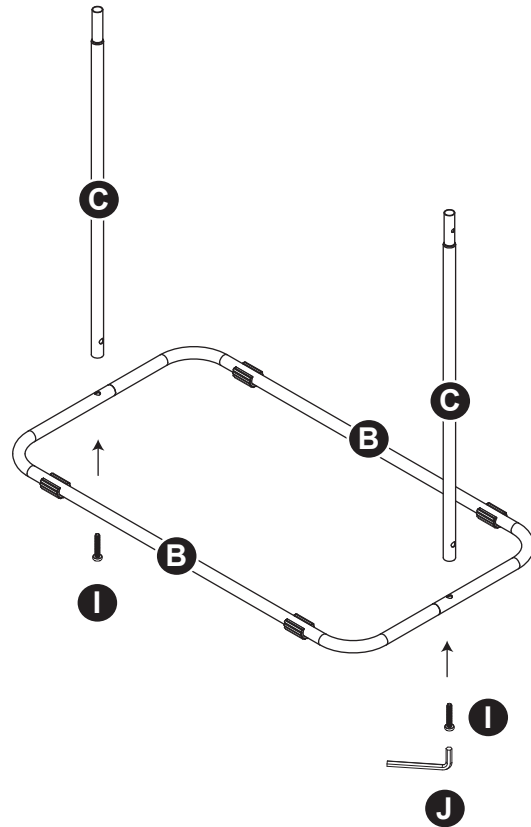
STEP 1:

- Insert four feet (**G**) into the holes in the bases (**B**).
- Insert two bases (**B**) into each other.



STEP 2:

- Attach two bottom pole (**C**) to the bases using two long hex screws (**I**).
- Tighten with a hex wrench (**J**).

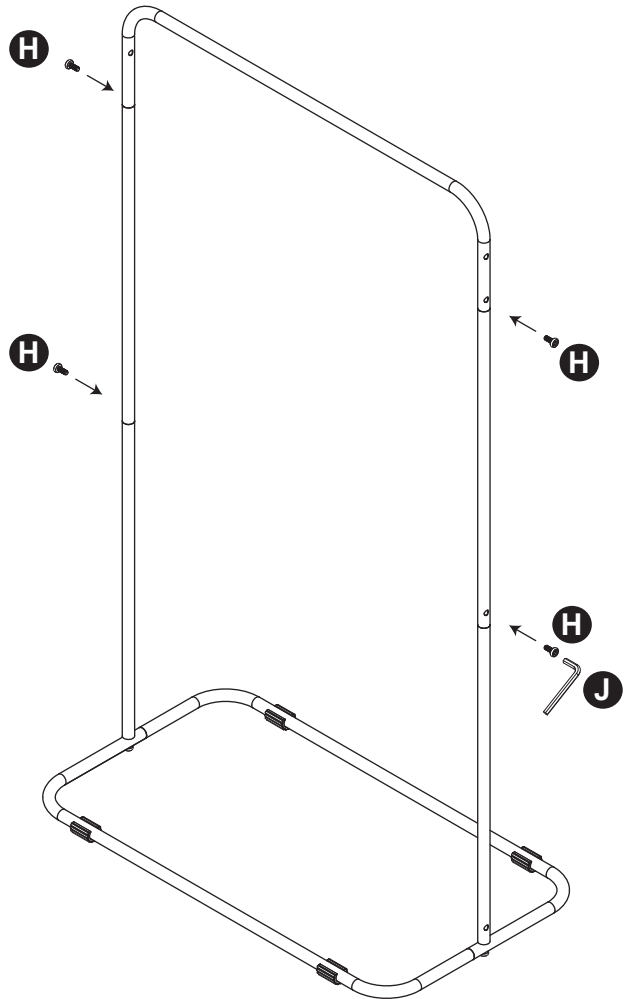
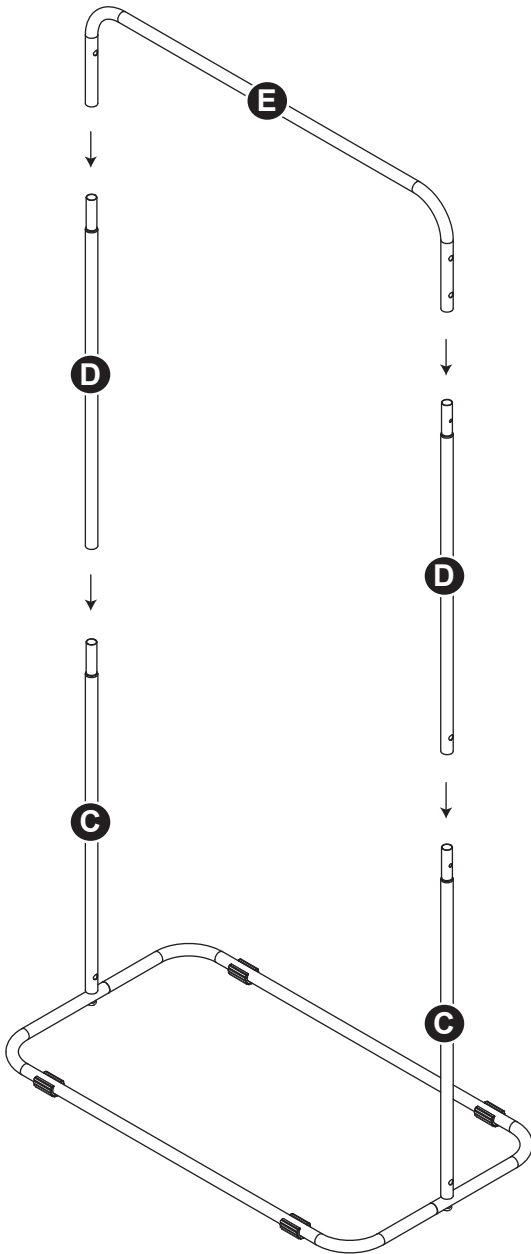


STEP 3:

- Insert two top poles (D) into the bottom poles (C).
- Insert top arch (E) into the top poles (D).

STEP 4:

- Secure the frame using four short hex screws (H).
- Tighten with a hex wrench (J).

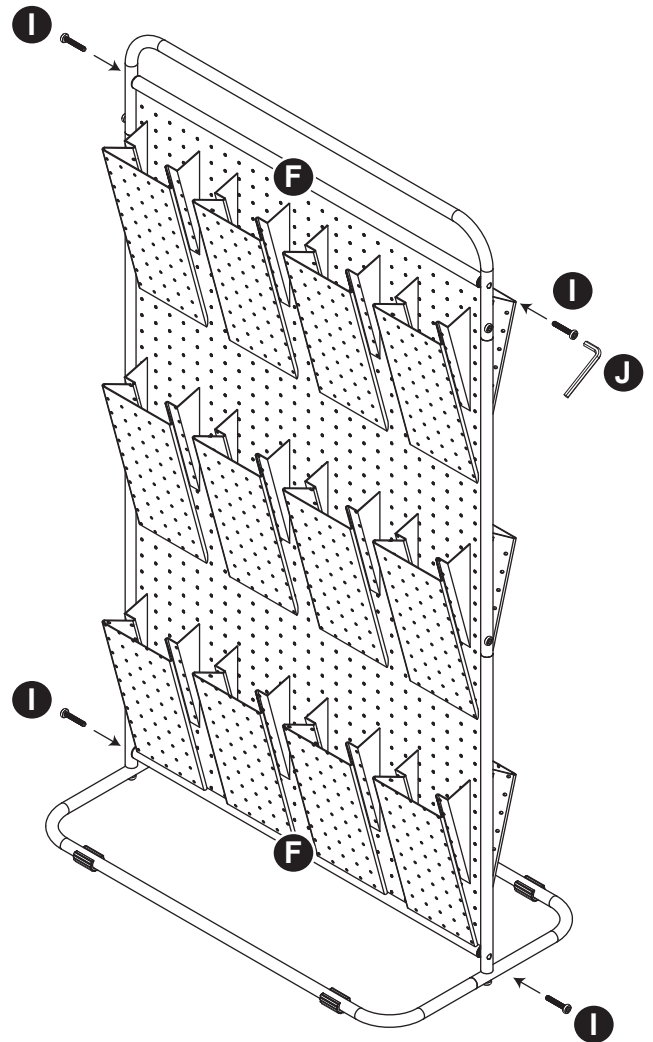
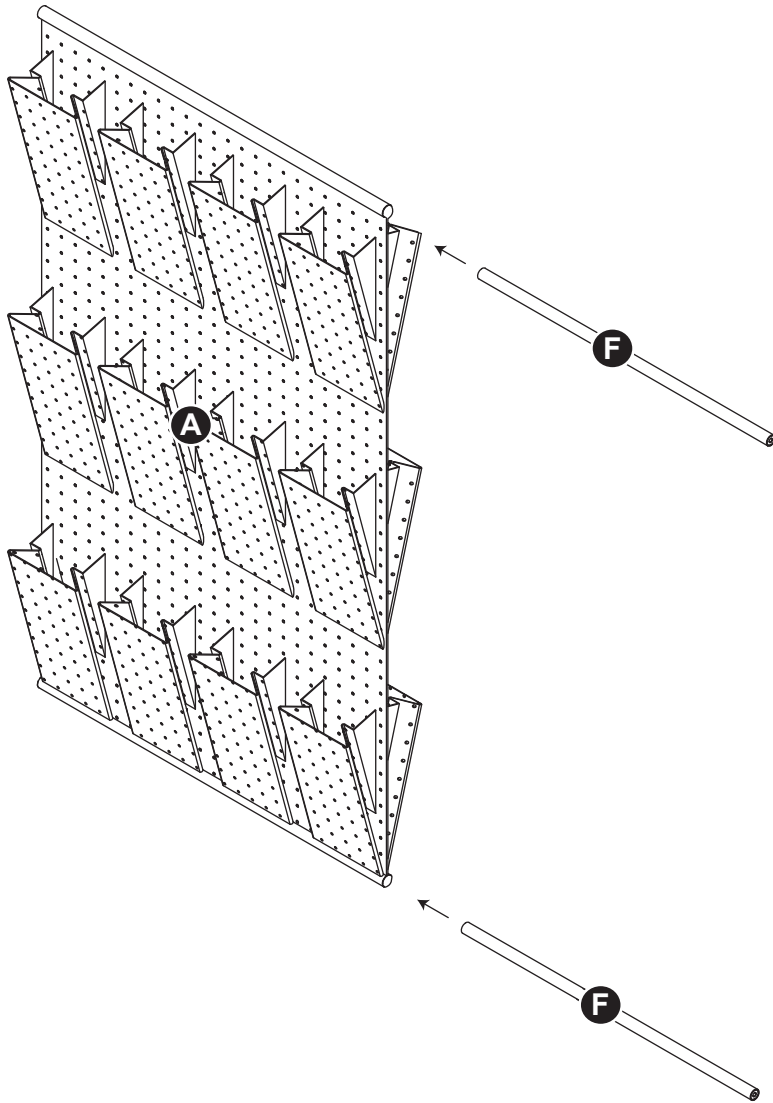


STEP 5:

- Insert two horizontal tubes (F) into the shelves (A).

STEP 5:

- Install the shelves into the frame using four long hex screws (I).
- Tighten with a hex wrench (J).



8680 Swinnea Road • Suite 103 • Southaven, MS • 38671

NEED HELP? For help with assembly, or if you are missing a part, please call Whitmor's Consumer Care Team, 1-888-944-8667 between 8 a.m. and 4:30 p.m. (Central Standard Time) Monday through Friday, or email: help@whitmor.com. Visit us online at www.whitmor.com