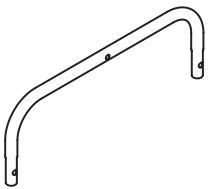
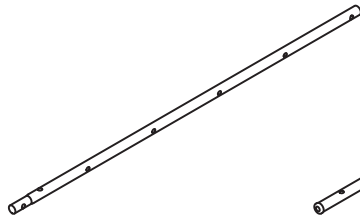


Part	Reference
A	F11965
B	F11966
C	F12054
D	F11968
E	F12055
F	F11970
G	F11971
H	F11972
I	F12056
J	F11974
K	F13049

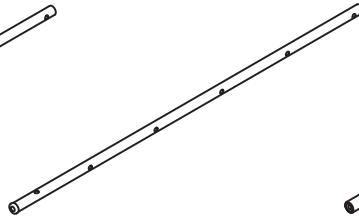
No additional tools required.



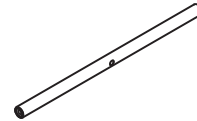
**A 2 ea**  
Top Tubes



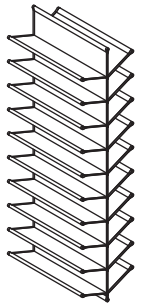
**C 4 ea**  
Top Poles



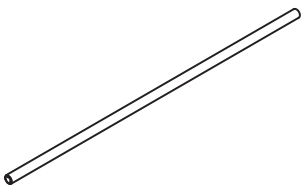
**E 4 ea**  
Bottom Poles



**G 2 ea**  
Bottom Supports



**I 1 ea**  
Mesh Shelves



**B 22 ea**  
Horizontal Shelf Tubes



**D 2 ea**  
Wheels



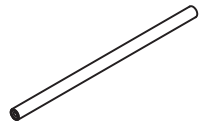
**F 2 ea**  
Locking Wheels



**H 50 ea**  
Hex Screws



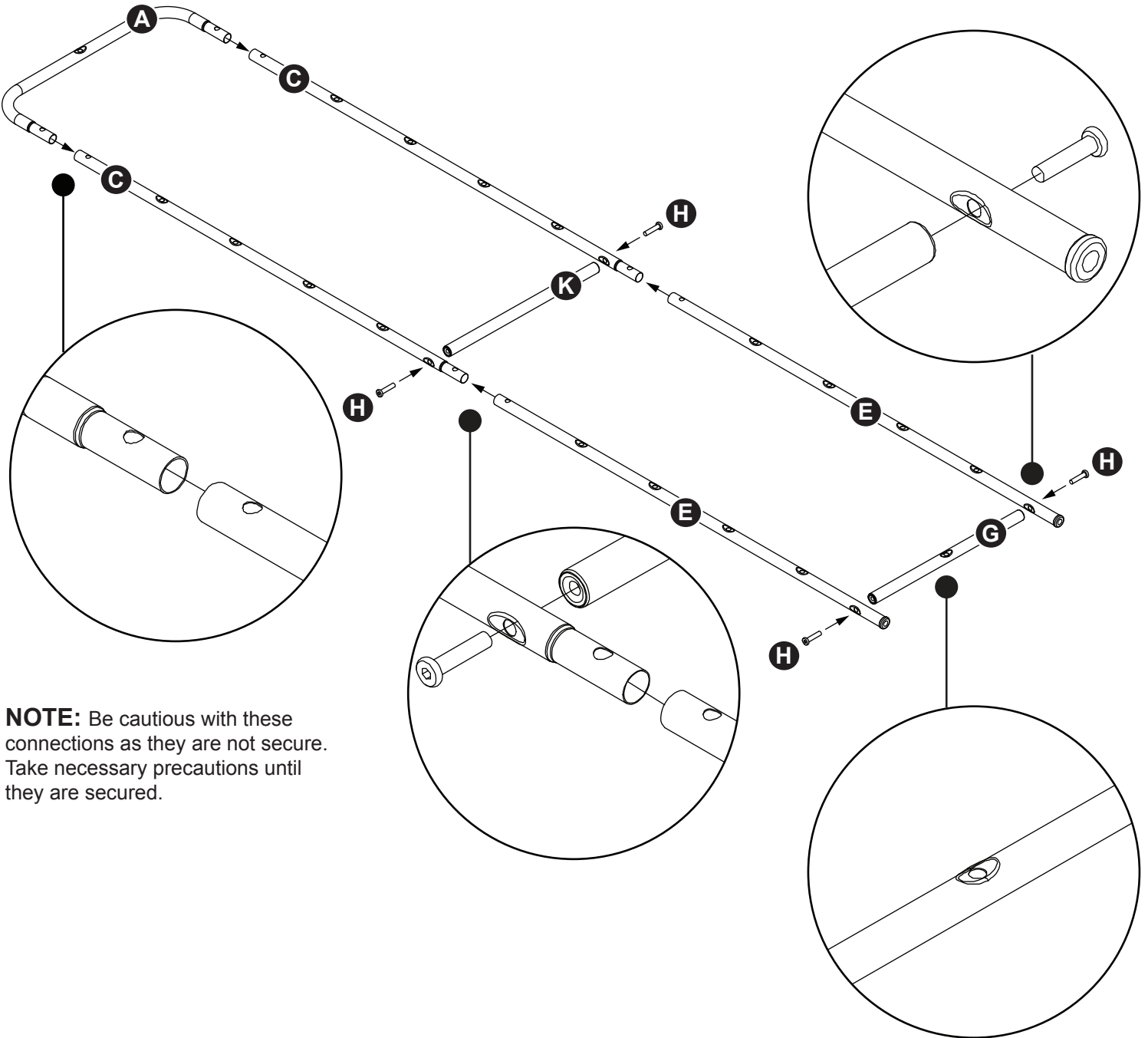
**J 1 ea**  
Hex Wrench



**K 2 ea**  
Middle Supports

**STEP 1:**

- Start by assembling the side frames.
- Insert ends of the top tube (A) into two top poles (C).
- Insert top poles (C) into ends of bottom poles (E).
- Install the middle support (K) between the two top poles (C) using the lowest holes available. As shown below.
- Install the bottom support (G) between the bottom poles (E) using the lowest holes available.
- NOTE:** make sure the hole in the middle of bottom support (G) is facing up like the rest of the holes in the frame.
- Secure using a hex wrench (J) and four hex screws (H).
- Repeat this step to assemble the other side frame.

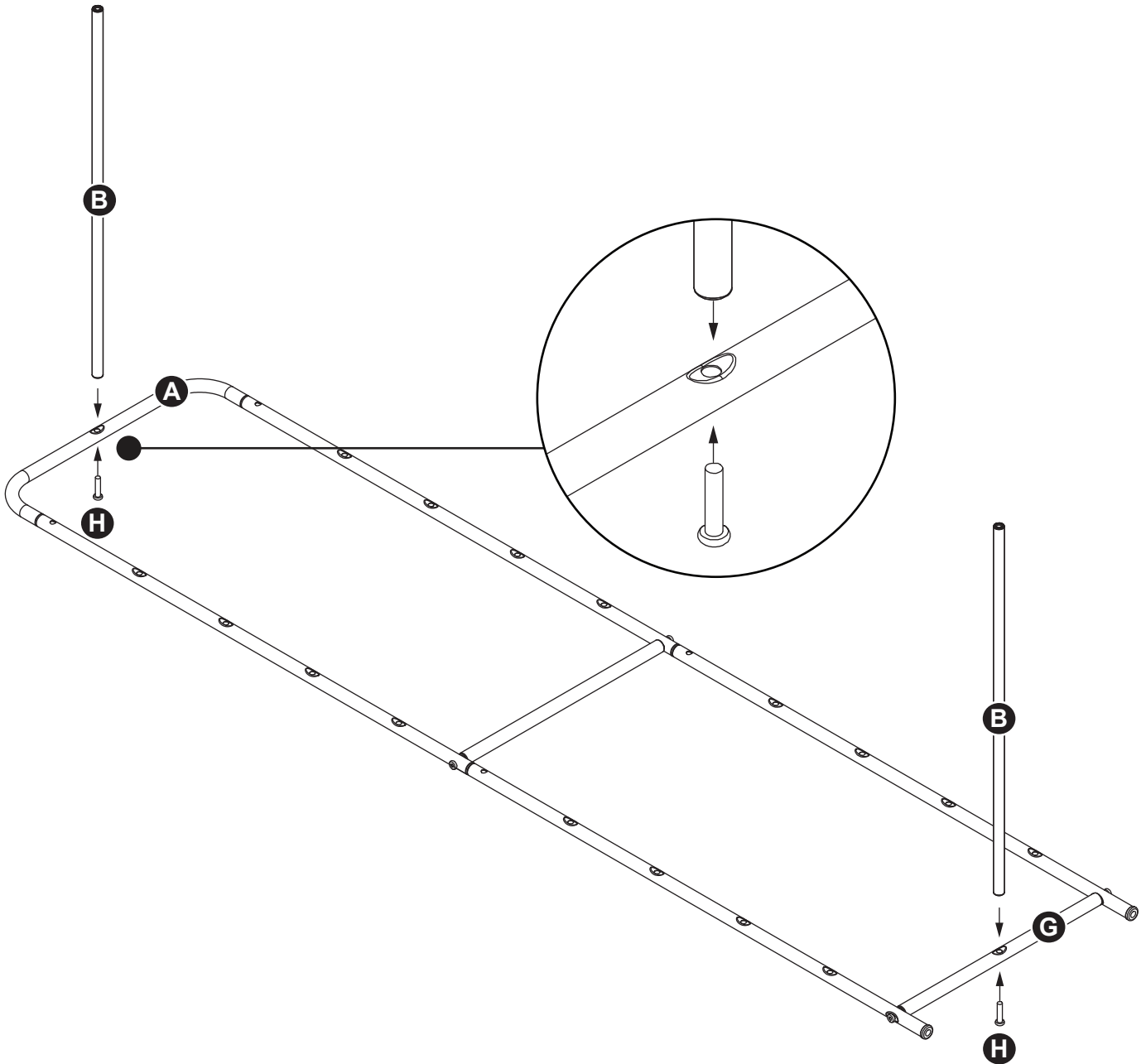


**NOTE:** Be cautious with these connections as they are not secure. Take necessary precautions until they are secured.

**NOTE:** When assembled center holes on bottom supports (G) must face each other.

**STEP 2:**

- Insert ends of the horizontal shelf tubes (**B**) into top tube (**A**) and bottom support (**G**).
- Secure using a hex wrench (**J**) and two hex screws (**H**).
- Tighten with hex wrench (**J**).

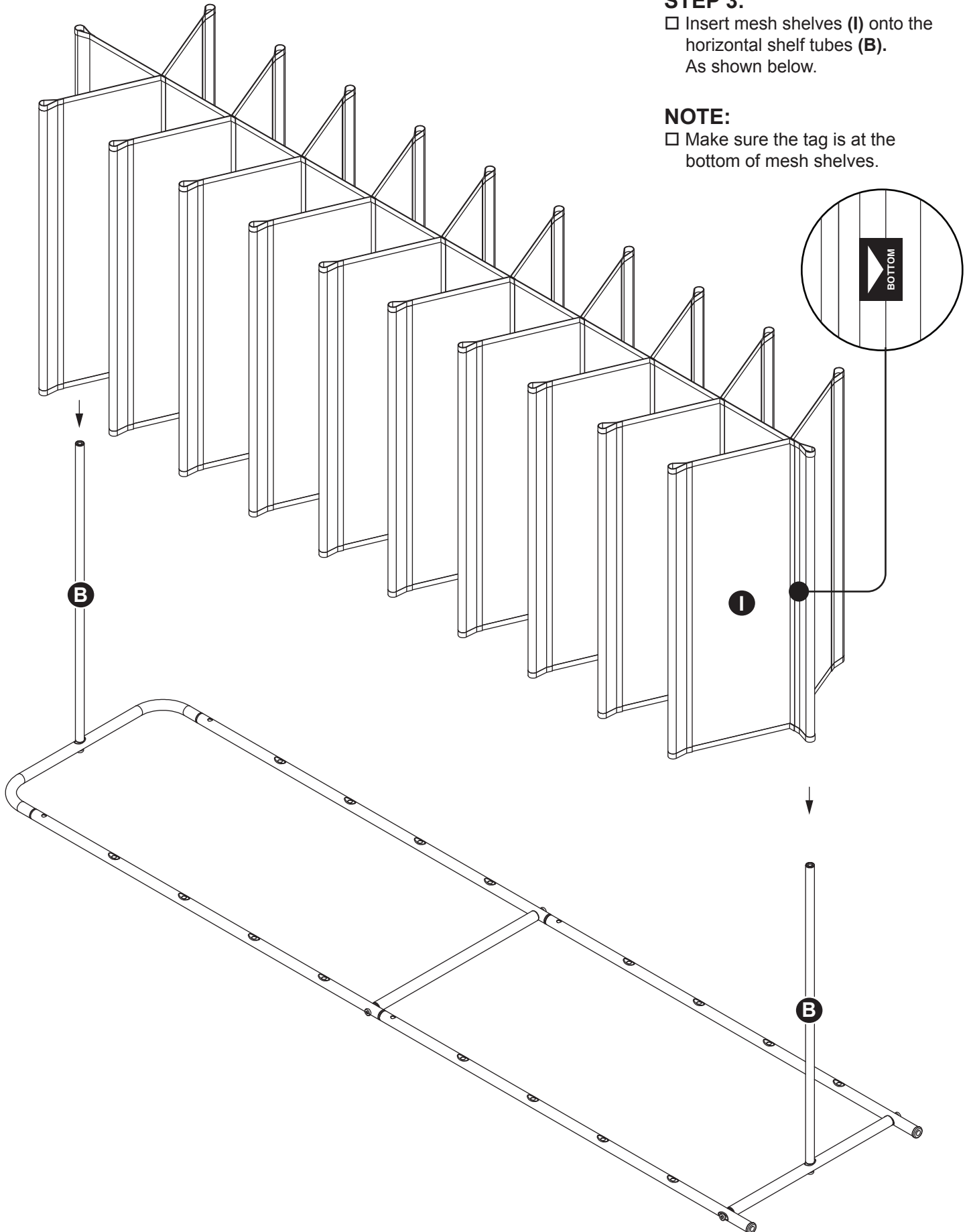


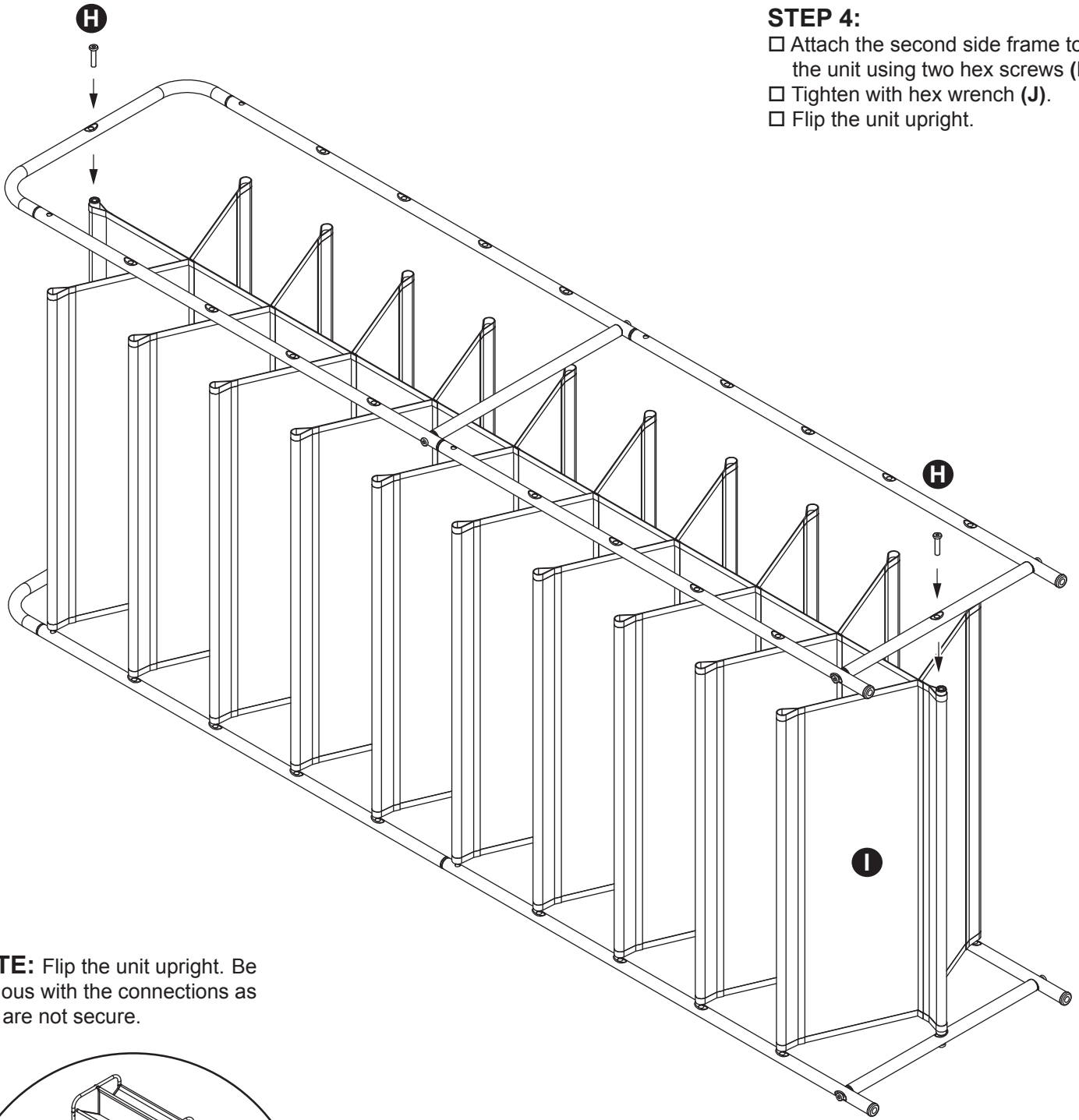
**STEP 3:**

- Insert mesh shelves (I) onto the horizontal shelf tubes (B).  
As shown below.

**NOTE:**

- Make sure the tag is at the bottom of mesh shelves.

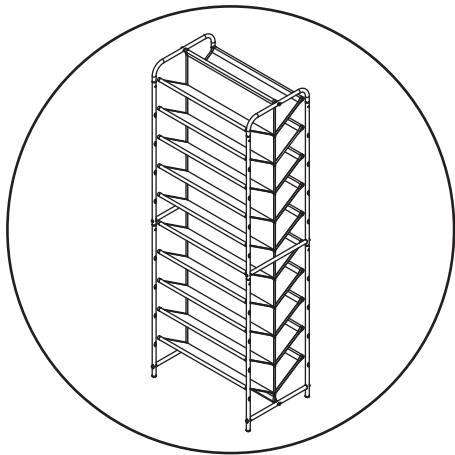




**STEP 4:**

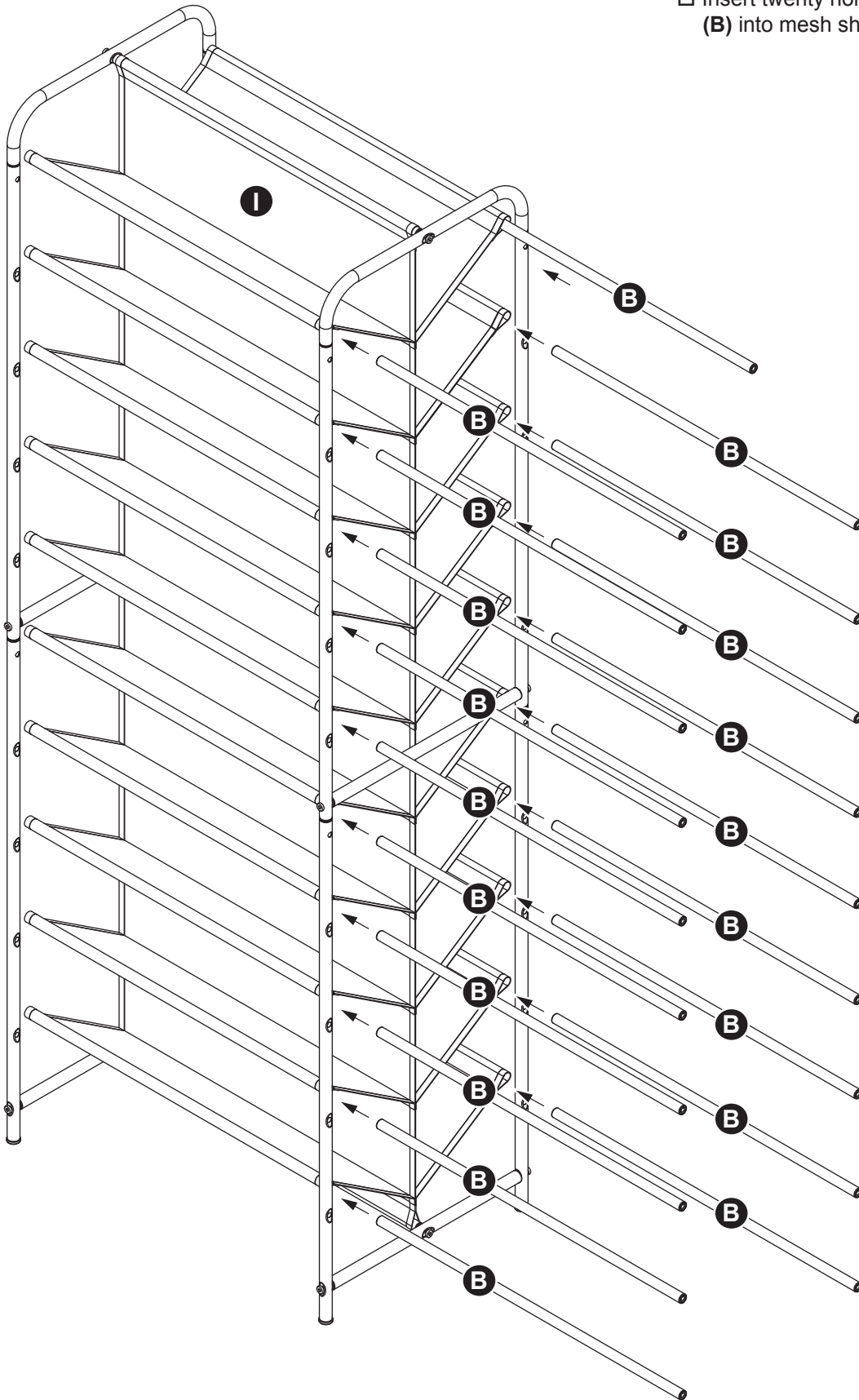
- Attach the second side frame to the unit using two hex screws (H).
- Tighten with hex wrench (J).
- Flip the unit upright.

**NOTE:** Flip the unit upright. Be cautious with the connections as they are not secure.



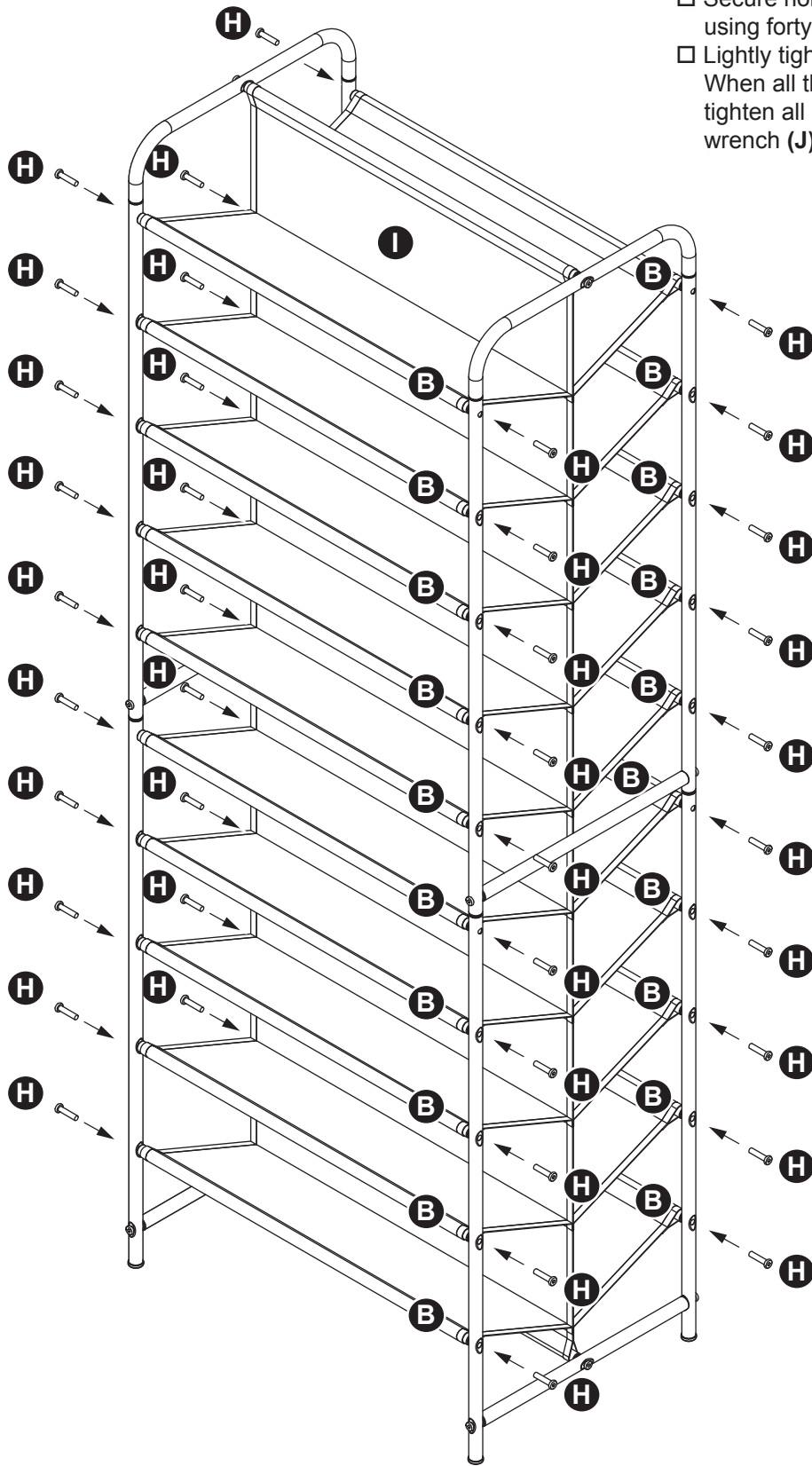
**STEP 5:**

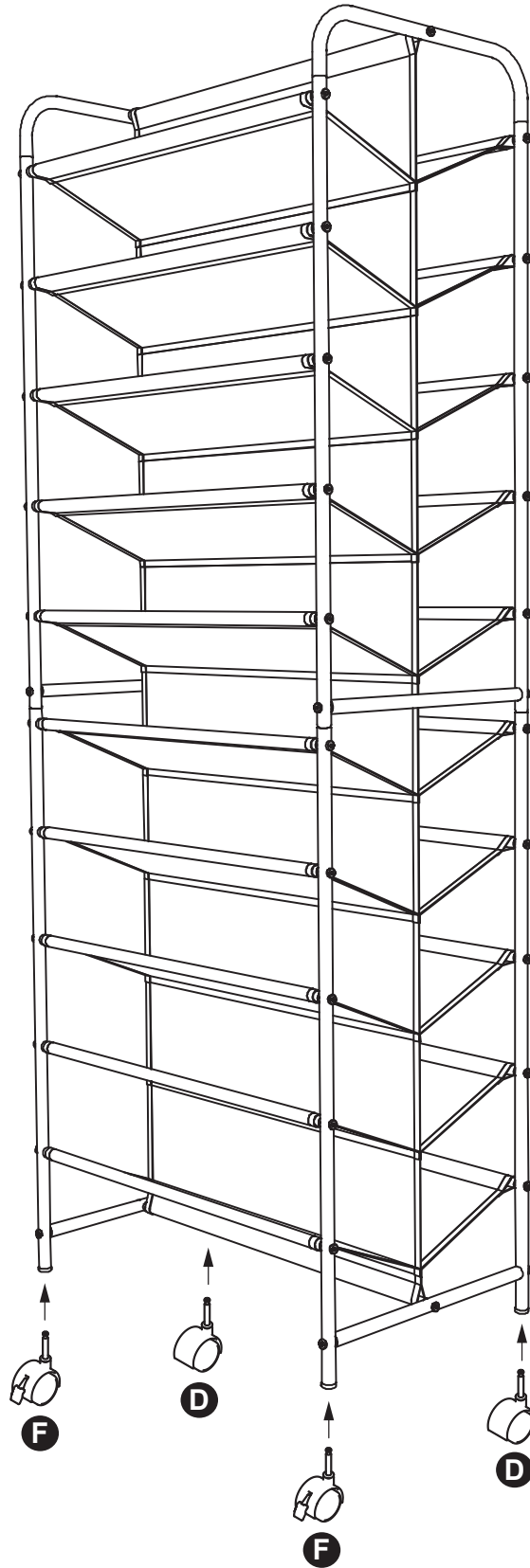
- Insert twenty horizontal shelf tubes (B) into mesh shelves (I).



**STEP 6:**

- Secure horizontal shelf tubes (B) using forty hex screws (H).
- Lightly tighten screws by hand. When all the tubes are secure, tighten all screws with a hex wrench (J).





**STEP 7:**

- Insert two wheels (**D**) on one side and two locking wheels (**F**) on the other side.

8680 Swinnea Road • Suite 103 • Southaven, MS • 38671

**NEED HELP?** For help with assembly, or if you are missing a part, please call Whitmor's Consumer Care Team, 1-888-944-8667 between 8 a.m. and 4:30 p.m. (Central Standard Time) Monday through Friday, or email: [help@whitmor.com](mailto:help@whitmor.com). Visit us online at [www.whitmor.com](http://www.whitmor.com)