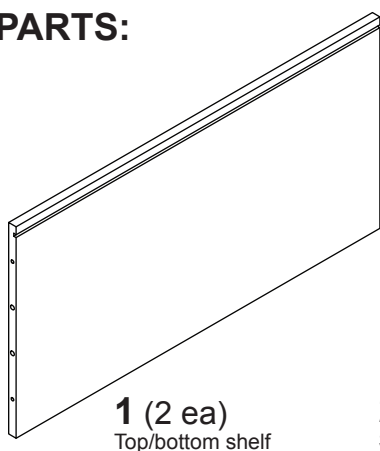
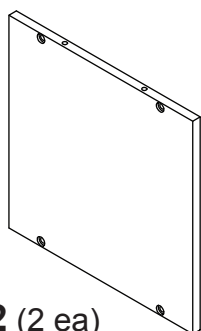


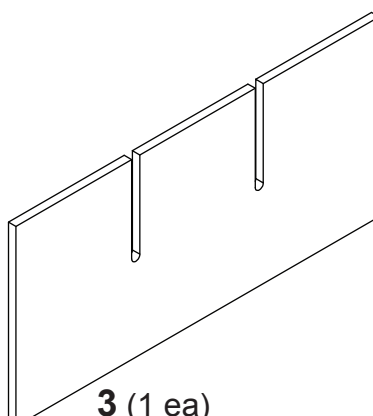
PARTS:



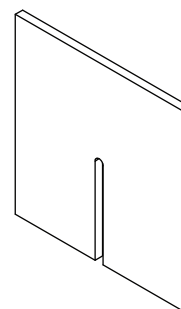
1 (2 ea)
Top/bottom shelf



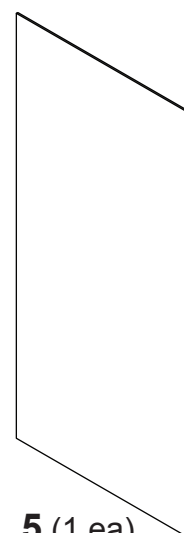
2 (2 ea)
Side panel



3 (1 ea)
Slotted shelf



4 (2 ea)
Slotted divider



5 (1 ea)
Back panel

HARDWARE:



A (8 ea)
Hex screw



E (4 ea)
Small screw



B (1 ea)
Hex wrench



F (4 ea)
Wedge



C (8 ea)
Dowel



G (4 ea)
Long dowel



D (8 ea)
Cover cap

Assembly Time:
Less than 30 minutes.

This unit is not intended for vertical use.

Tools Needed:
Phillips screwdriver

PLEASE CALL BEFORE RETURNING TO STORE!

Call Whitmor's Consumer Care Team for replacement parts and/or assembly questions!

Toll Free in the USA: 1-888-944-8667
between 8 a.m. and 4:30 p.m. (CST), Monday - Friday
or email from anywhere: help@whitmor.com

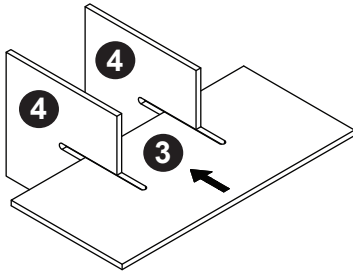
Please include contact name, phone number, product style, description of issue and best time to contact.



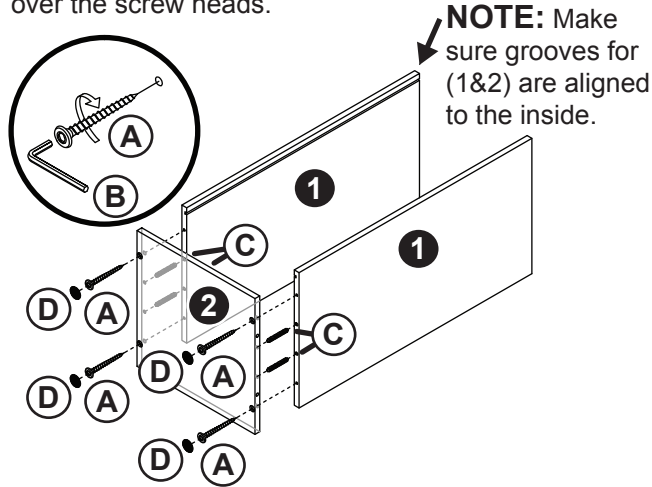
8680 Swinnea Road • Suite 103 • Southaven, Mississippi 38671

Visit our web site to find more great home organizing items! www.whitmor.com

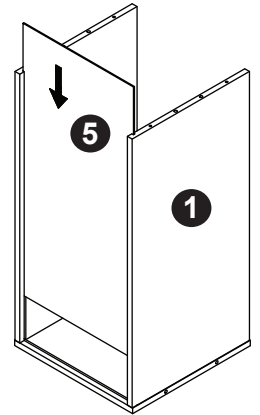
Step 1: Fit the two slotted dividers (4) and the slotted shelf (3) together.



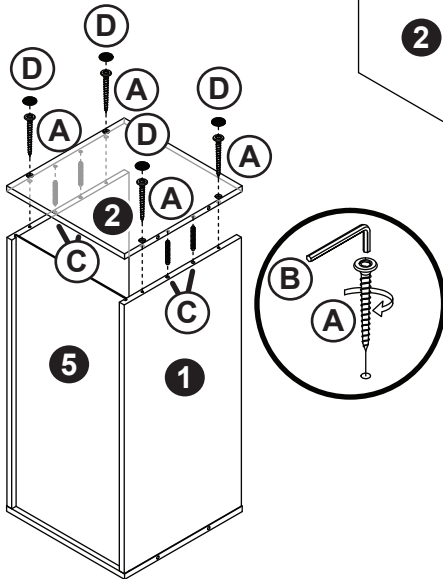
Step 2: Insert four dowels (C) into the pre-drilled holes in each top/bottom shelf (1). Press a side panel (2) onto the dowels and install using four hex screws (A). Tighten with the hex wrench (B). Install four cover caps (D) over the screw heads.



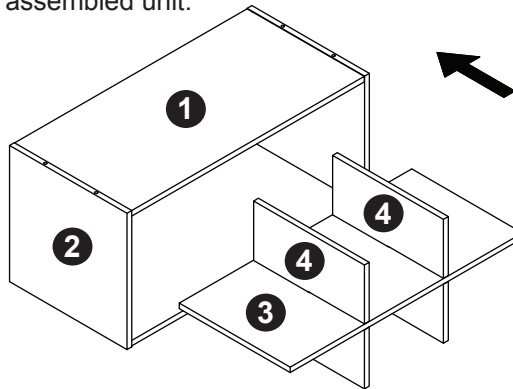
Step 3: Slide the back panel (5) into the groove inside the assembled panels (with white side facing inside).



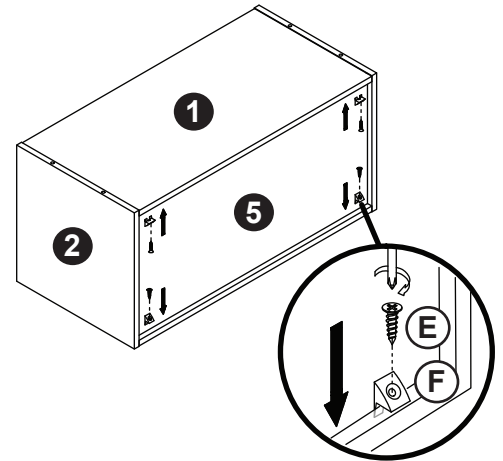
Step 4: Insert four dowels (C) into the predrilled holes in each top/bottom shelf (1). Press the remaining side panel (2) onto the dowels and install using four hex screws (A). Tighten with the hex wrench (B). Install four cover caps (D) over the screw heads.



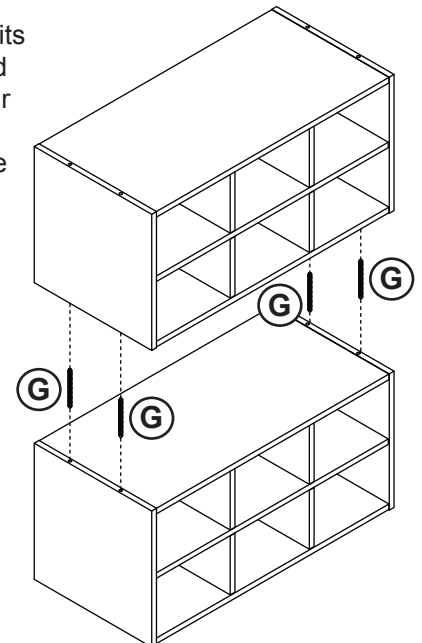
Step 5: Slide the assembled dividers from step 1 into the assembled unit.



Step 6: Install four wedges (F) using four small screws (E). Tighten with a Phillips screwdriver (not included).



NOTE: Multiple units can be stacked (sold separately). Use four long dowels (G) between the multiple units to secure.



Part	Reference
1	F10020
2	F10021
3	F10022
4	F10023
5	F10024
A	F10025
B	F10026
C	F10027
D	F9995
E	F10028
F	F10029
G	F10030



8680 Swinnea Road • Suite 103 • Southaven, MS • 38671

NEED HELP? For help with assembly, or if you are missing a part, please call Whitmor's Consumer Care Team, 1-888-944-8667 between 8 a.m. and 4:30 p.m. (Central Standard Time) Monday through Friday. Or email: help@whitmor.com. Visit us online at www.whitmor.com