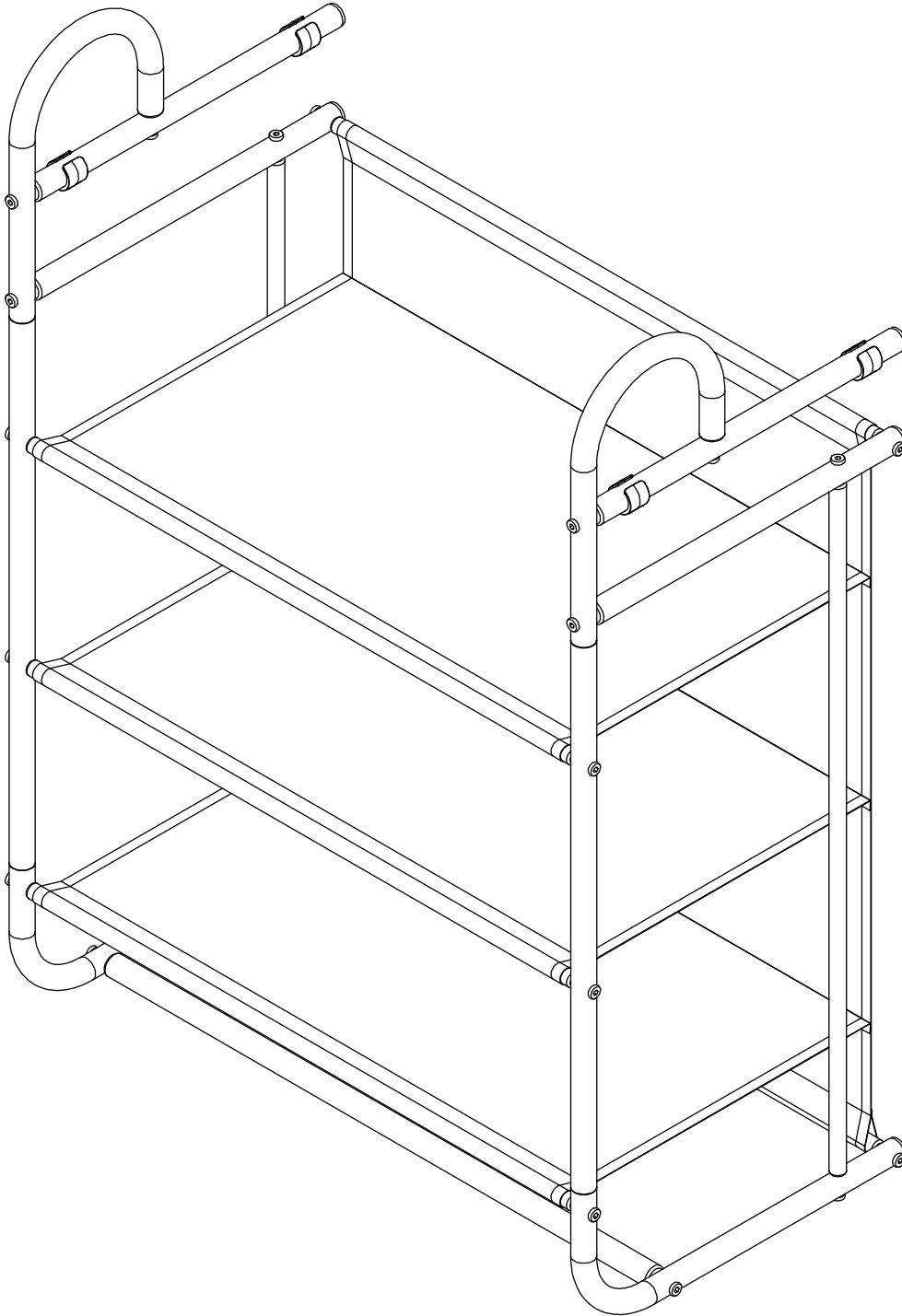


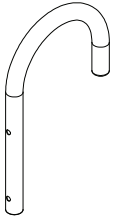
STYLE NO:

6905-12085 | Hanging 3-Shelf Closet Organizer

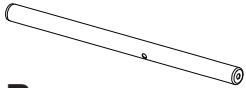


Part	Reference
A	F12723
B	F12724
C	F12725
D	F12726
E	F12727
F	F12728
G	F12729
H	F12730
I	F12731
J	F12732
K	F12733
L	F12734

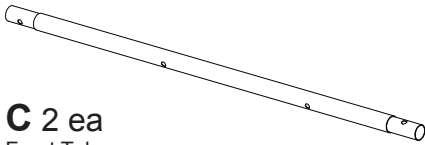




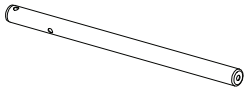
A 2 ea
Top Arches



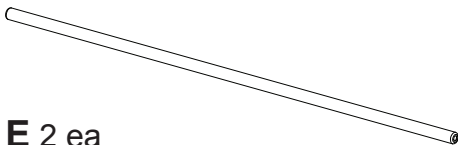
B 2 ea
Top Supports
(Plastic Stoppers J
Pre-Installed)



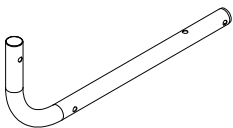
C 2 ea
Front Tubes



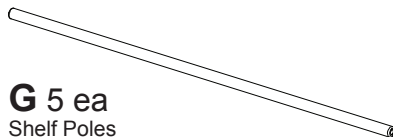
D 2 ea
Middle Supports



E 2 ea
Back Tubes

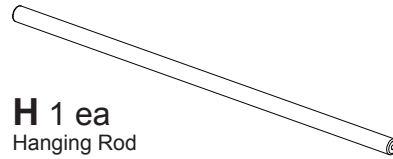


F 2 ea
Bottom Supports

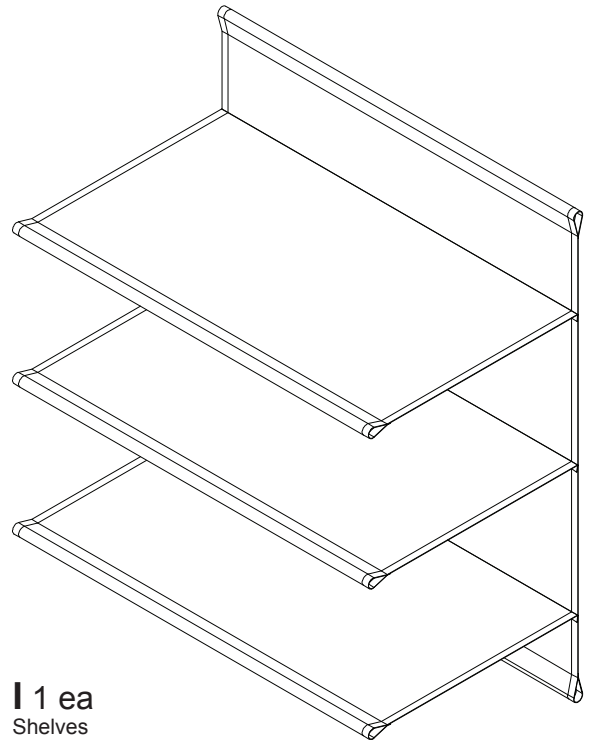


G 5 ea
Shelf Poles

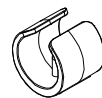
No additional tools required.



H 1 ea
Hanging Rod



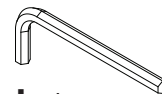
I 1 ea
Shelves



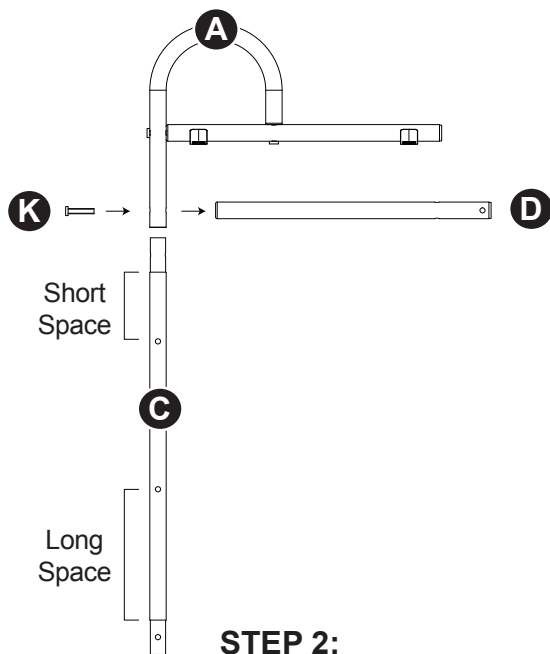
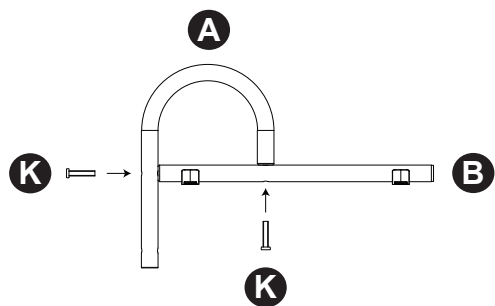
J 4 ea
Plastic Stoppers
(Pre-Installed on B)



K 22 ea
Hex Screws



L 1 ea
Hex Wrench

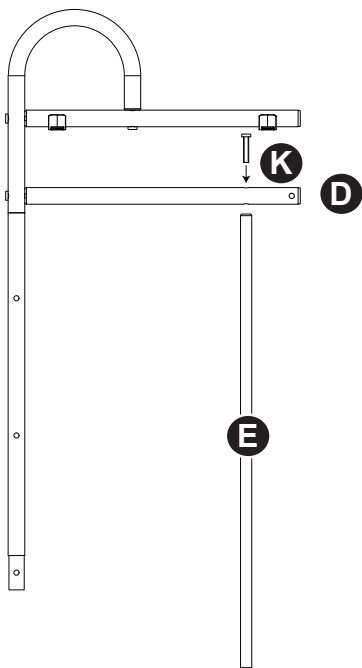


STEP 1:

- Follow the drawing above to attach top arch (A) to top support (B) using two hex screws (K). Make sure the plastic stoppers (J) are on the bottom side of the top support (B).
- Tighten using a hex wrench (L).
- Repeat this step on the second side.

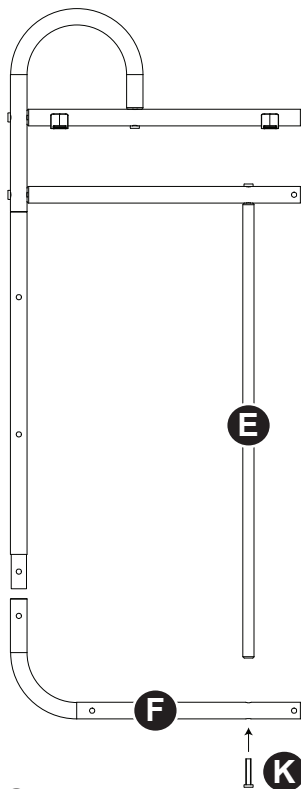
STEP 2:

- Place front tube (C) into top arch (A). Make sure the short space is at the top of the front tube (C).
- Attach middle support (D) with a hex screw (J).
- Tighten with hex wrench (L).
- Repeat this step on the second side.



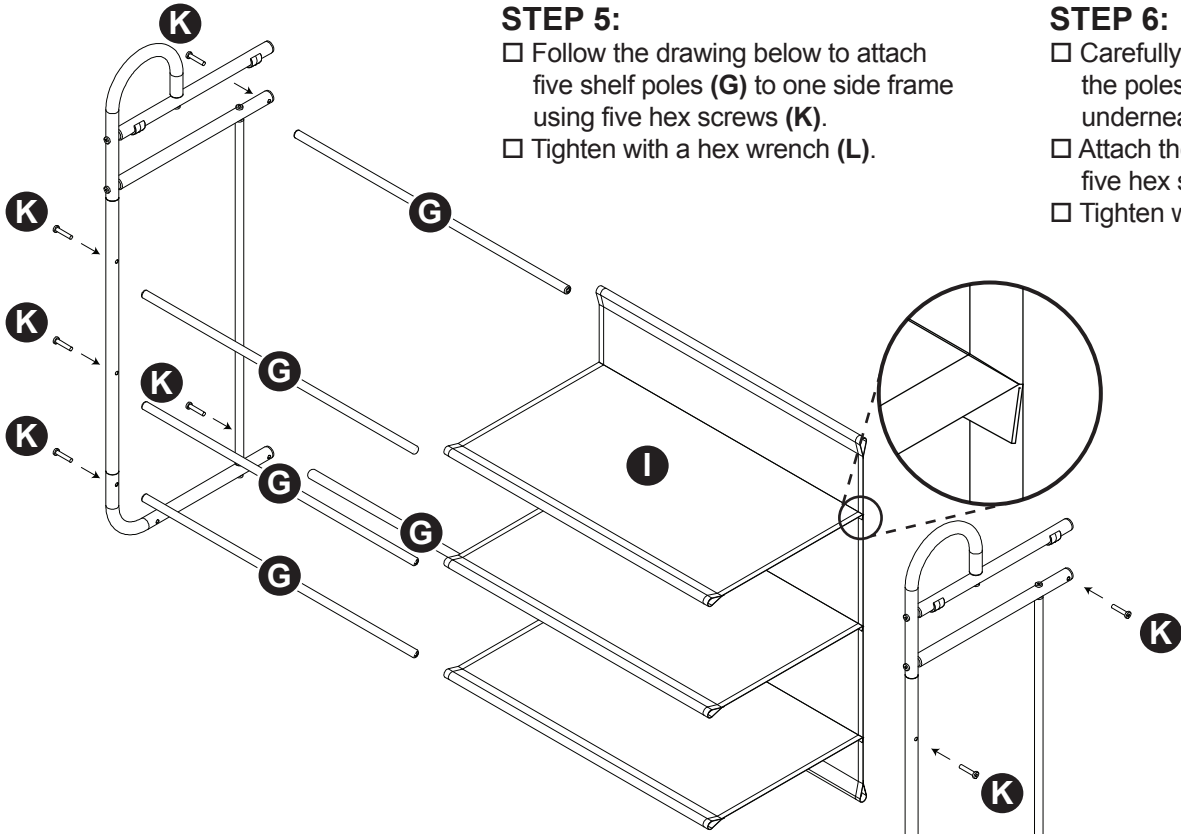
STEP 3:

- Attach back tube (E) to middle support (D) using a hex screw (K).
- Tighten using a hex wrench (L).
- Repeat this step on the second side.



STEP 4:

- Place bottom support (F) into the front tube (C). Then attach it to tube support (E) using a hex screw (K).
- Tighten using a hex wrench (L).
- Repeat this step on the second side.



STEP 5:

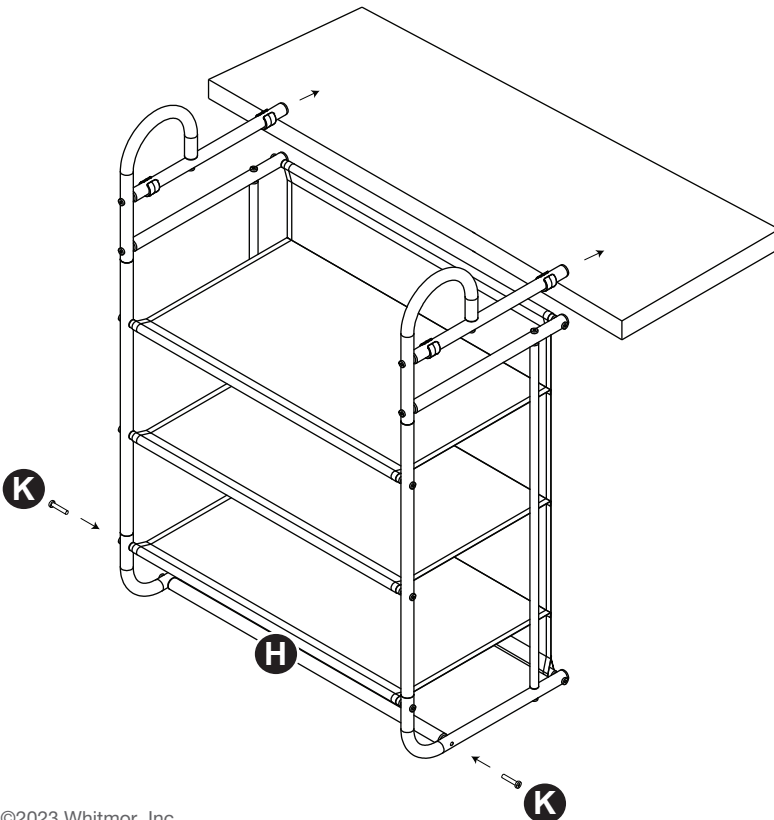
- Follow the drawing below to attach five shelf poles (G) to one side frame using five hex screws (K).
- Tighten with a hex wrench (L).

STEP 6:

- Carefully slide the shelves (I) onto the poles. Make sure the seam is underneath the shelves.
- Attach the second side frame using five hex screws (K).
- Tighten with a hex wrench (L).

STEP 7:

- Install the hanging rod (H) between the side frames using two hex screws (K).
- Tighten with a hex wrench (L).
- Place the unit over a closet shelf.



8680 Swinnea Road • Suite 103 • Southaven, MS • 38671

NEED HELP? For help with assembly, or if you are missing a part, please call Whitmor's Consumer Care Team, 1-888-944-8667 between 8 a.m. and 4:30 p.m. (Central Standard Time) Monday through Friday, or email: help@whitmor.com. Visit us online at www.whitmor.com