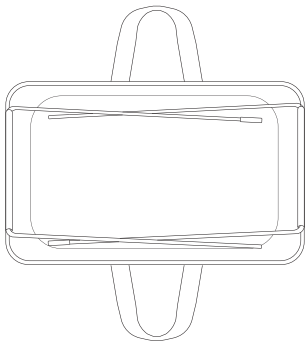


5468-9866 Canvas Laundry Hamper ©2019 Whitmor, Inc.



A 1 ea
Canvas Hamper + 2 Wire Brackets
(pre-assembled)



B 2 ea
Wire Brackets

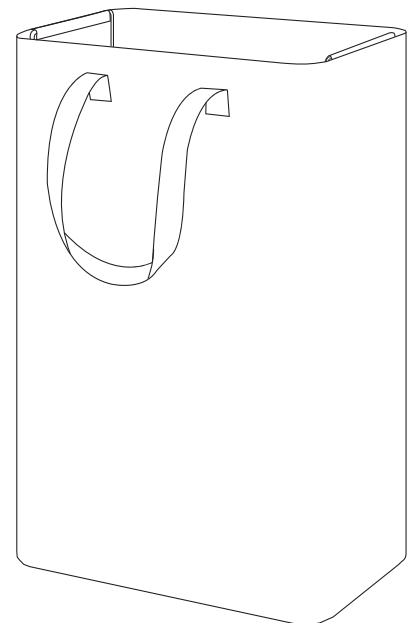
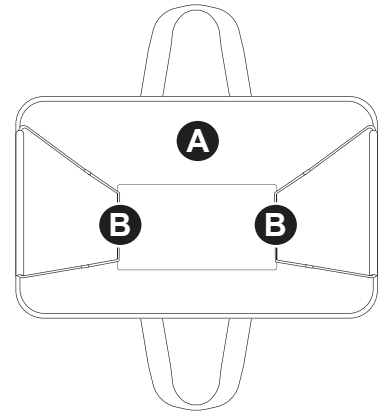
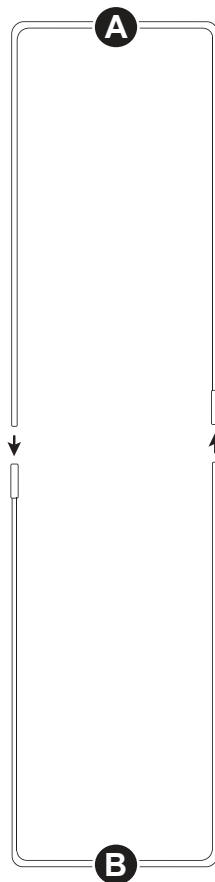
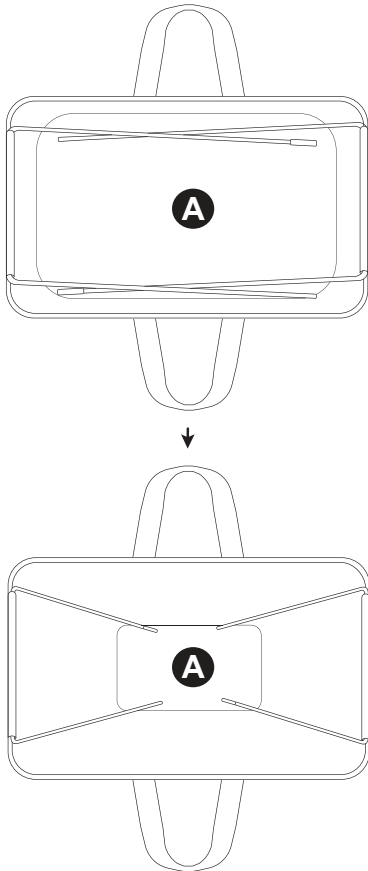
Part	Reference
A	F10307
B	F10308

Tools Needed: No tools required.

STEP 1: Unfold the canvas hamper (A). Make sure the attached wire brackets are inside the bag.

STEP 2: Place wire brackets (B) inside the canvas hamper and connect while in the bag.

STEP 3: Push assembled wire frames along the bag walls until fabric is pulled tight.



8680 Swinnea Road • Suite 103 • Southaven, MS • 38671

NEED HELP? For help with assembly, or if you are missing a part, please call Whitmor's Consumer Care Team, 1-888-944-8667 between 8 a.m. and 4:30 p.m. (Central Standard Time) Monday through Friday. Or email: help@whitmor.com. Visit us online at www.whitmor.com