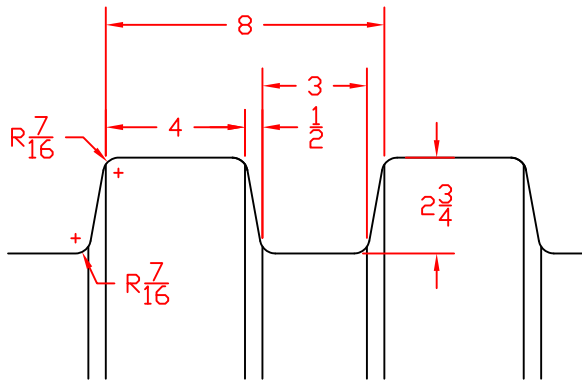
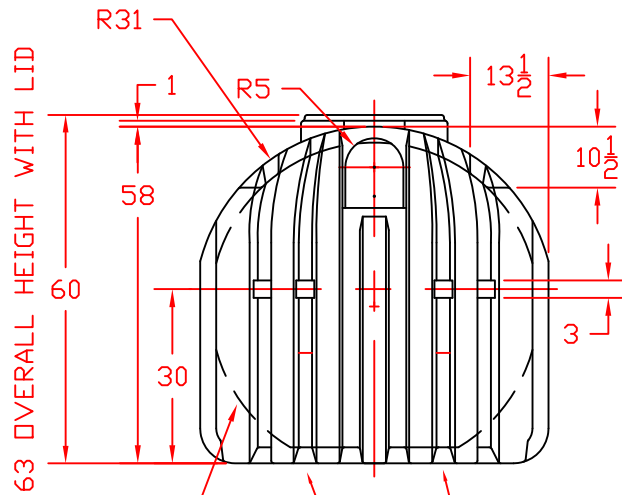
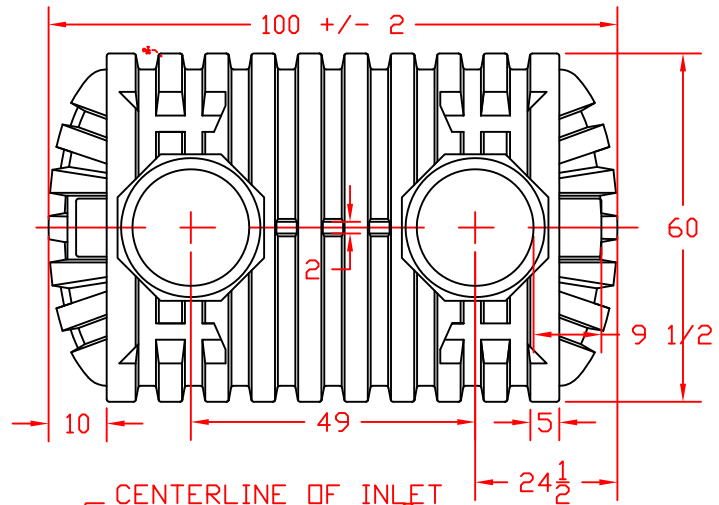


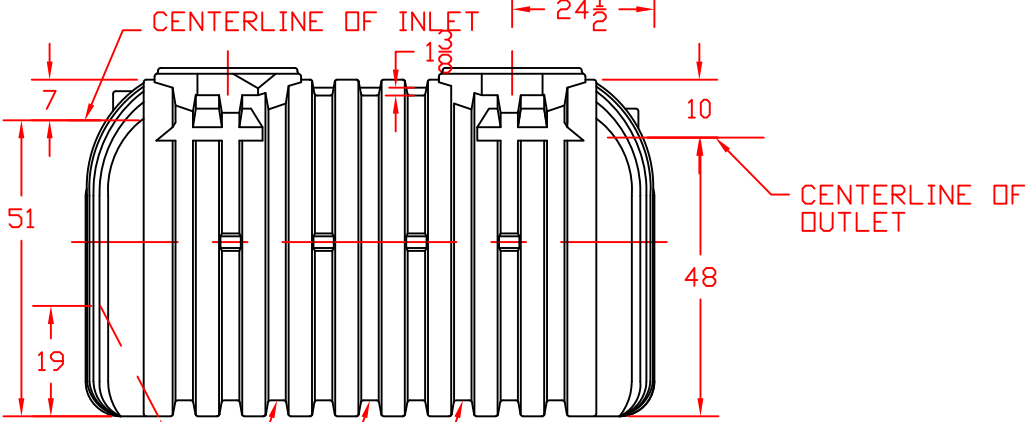
REVISIONS				
ZONE	REV	DESCRIPTION	DATE	APPROVED
	C	REDRAWN, DIMS UPDATED	17FEB97	



RIB DETAIL 1/4 SCALE



63 OVERALL HEIGHT WITH LID



THREE FULL-CIRCLE RIBS

KNEE RIBS HERE

MIDPOINT OF CROSS RIB

NORWESCO
ST. BONIFACIUS, MN
1000 GALLON SEPTIC TANK

JTP 17FEB97	SIZE B	FSCM NO.	DWG NO.	REV C
SCALE 1/24		SHEET 1 OF 2		