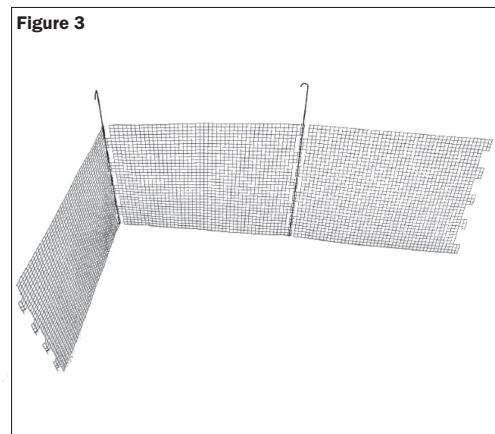
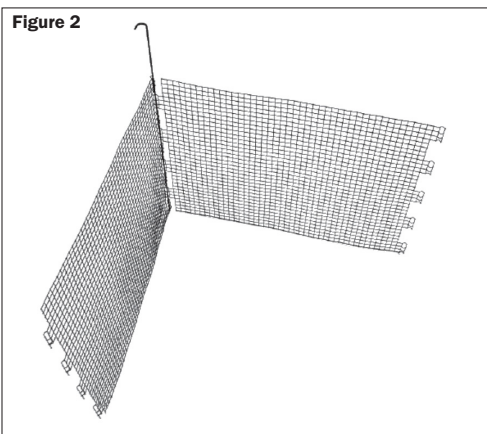
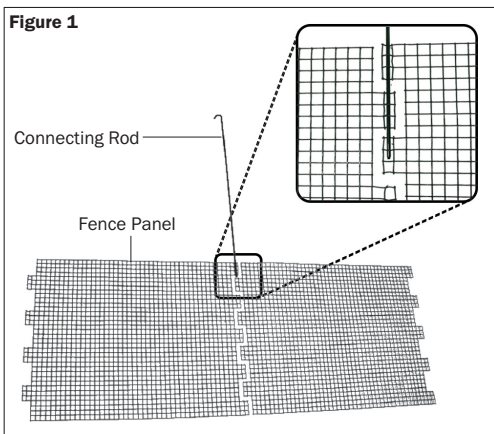


Parts List

- 6 Wire Fence Panels (18" Tall x 24" Wide)
- 6 Connecting Rods



Step 1:

Refer to Figure 1

- Lay two panels flat.
- Align opposite edges.
- Insert rod through loops to connect panels.

Step 2:

Refer to Figure 2

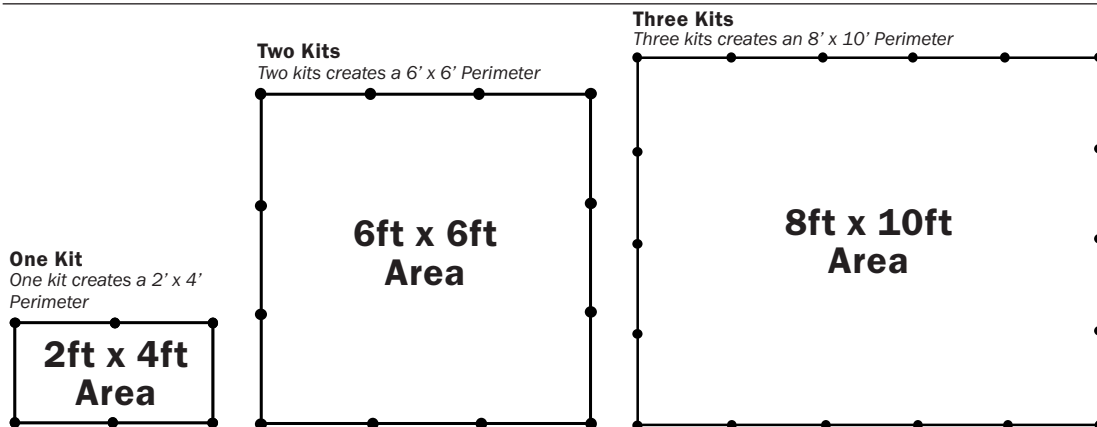
- Align panels at 90° and stand upright.

Step 3:

Refer to Figure 3

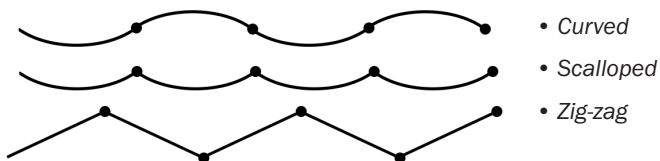
- Add third panel, connect with second rod, and continue until perimeter is complete.
- Push rods into the ground to secure fence in place.

Combine Multiple Garden Fence Kits For Larger Perimeters

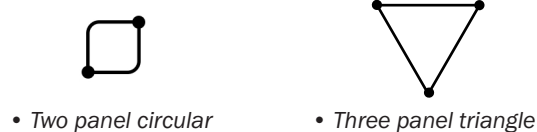


Design Ideas:

Straight-run design ideas:



Single-plant protection:



30 DAYS LIMITED WARRANTY:

FLIPO GROUP warrants to the original purchaser, when used in North America only, that this product shall be free of defects in material and workmanship. This warranty applies within 30 days of the original purchase with normal home use. This warranty does not apply for commercial use of this product. Use outside of North America is not covered by this warranty.

During the warranty period, we will at our option, repair or replace this product without charge, which shall be the consumer's sole remedy. ALL RETURNS must be accompanied by a Return Authorization Number, which is issued by the Customer Service Department of Flipo Group. Please contact Customer Service BEFORE returning any item. Once you have obtained a Return Authorization Number, the product must be returned with a clear copy of the proof of purchase, showing place and date of purchase, postage and insurance prepaid to:

Flipo Group
613 First Street
La Salle, IL 61301

This warranty does not cover installation, adjustments in the home, nor damage due to accidents, misuse, abuse, fire or other acts of God, incorrect line voltage, damage to other equipment caused by improper installation, unauthorized or improper modification. This warranty gives you specific legal rights and you may also have other rights that vary from state to state.