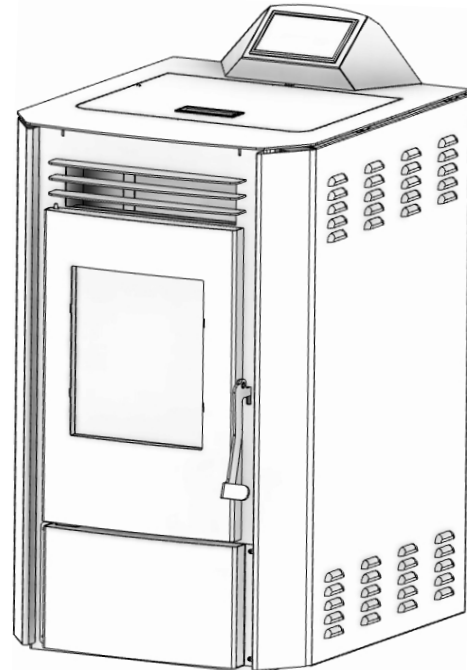


Owner's Instruction and Operation Manual



Model Number:

US5513-W



Report Number: F22-771

Certified to ASTM E1509-2022 and Certified to CAN/ULC S627:2023; Complies to CAN ICES-3(B)/NMB-3(B); Contains IC:23243-WBR1DIPEX
Mobile Home / Transportable Building Approved

* All Pictures In This Manual Are For Illustrative Purposes Only. Actual Product May Vary.

853992E-1904N

Save These Instructions In A Safe Place For Future Reference.



SAFETY NOTICE: If this heater is not properly installed, a house fire may result. For your safety, follow the installation instructions. Never use make-shift compromises during the installation of this heater. Contact local building or fire officials about permits, restrictions and installation requirements in your area. **NEVER OPERATE THIS PRODUCT WHILE UNATTENDED.**



CAUTION! Please read this entire manual before you install or use your new room heater. Failure to follow instructions may result in property damage, bodily injury, or even death. **Improper Installation Will Void Your Warranty!**



WARNING: Before starting your pellet stove remotely with WiFi, it is critical that you ensure nothing is leaning, draped or near to your stove. All clearances to combustibles specified in your owner's manual must be maintained at all times. Failure to comply with this warning could result in a fire and or property damage.

U.S. Environmental Protection Agency

Certified to comply with 2020 particulate emissions standards.



CALIFORNIA PROPOSITION 65 WARNING:

This product can expose you to chemicals including carbon monoxide, which is known to the State of California to cause cancer, birth defects, and/or other reproductive harm. For more information, go to www.P65warnings.ca.gov

THIS MANUAL IS SUBJECT TO CHANGE WITHOUT NOTICE.



INTRODUCTION

Your pellet stove has been approved for installation in the USA and Canada. It may also be installed in a manufactured or mobile home / transportable building. Your stove is Certified to ASTM E1509-2022 and Certified to CAN/ULC S627:2023. This manual describes the installation and operation of the U.S. Stove, US5513-W wood heater. This heater meets the 2020 U.S. Environmental Protection Agency’s crib wood emission limits for wood heaters sold after May 15, 2020. Under specific test conditions this heater has been shown to deliver heat at rates ranging from 10,609 to 24,676 Btu/hr. This heater achieved a particulate emissions rate of 1.5 g/hr when tested to method ASTM E2779-10 (*and an efficiency of 76%).

| | | |
|----------------------------------|--|--|
| Heating Specifications | | |
| Fuel Burn Rate* (lowest setting) | 1.65 lbs./hr. (0.75 kg/hr) | * Pellet size may affect the actual rate of fuel feed, burn times and hopper capacity. Fuel feed rates may vary by as much as 20%. Use PFI listed fuel for best results. |
| Burn Time (lowest setting) | 30 hrs. (approximate) | |
| Hopper Capacity* | *up to 50 lbs. (22.7 kg) | |
| Flue Size | 3” or 4” | |
| Electrical Specifications | | |
| Electrical Rating | 110-120 Volts AC, 60 HZ, 3.0 Amps | |
| Watts (operational) | 125 | |
| Watts (igniter running) | 310 | |
| Dimensions | | |
| Overall: Height x Width x Depth | 33-3/8” (848 mm) x 19” (482 mm) x 23” (585 mm) | |
| Floor To Exhaust Pipe Center | 8.25” (210 mm) | |
| Floor To Fresh Air Intake Center | 5.56” (142 mm) | |

WARNING:
IT IS AGAINST FEDERAL REGULATIONS TO OPERATE THIS WOOD HEATER IN A MANNER INCONSISTENT WITH THE OPERATING INSTRUCTIONS IN THE OWNER’S MANUAL.



Note: To enable WiFi or Bluetooth® connectivity for your stove, download the US Stove Co. App. The US Stove Co. app allows you to operate and monitor your stove. The App is available for both iOS and Android and can be found by searching for the following: US Stove Company Heating Made Simple.



Note: Register your product by using your smart phone with the QR code. Save your receipts with your records for any warranty claims.

You can also register your product online at www.usstove.com/support/product-registration / OR by downloading the US Stove Company app available for iOS and Android.

For Customer Service, please call:
1-800-750-2723 Ext 5050 or;
Text to 423-301-5624 or;
Email us at:
customerservice@usstove.com

INSTALLATION CHECKLIST



Your Wood Stove should be installed by a qualified installer only. An NFI qualified Installer can be found at www.nficertified.org/public/find-an-nfi-pro/

CUSTOMER SERVICE

1-800-750-2723 ext 5050
Text to 423-301-5624
Email to: Customerservice@usstove.com

COMMISSIONING CHECKLIST

This Checklist is to be completed in full by the qualified person who installs this unit. Keep this page for future reference. Failure to install and commission according to the manufacturer's instructions and complete this checklist will invalidate the warranty.

Please Print

| | |
|---------------------------------|-------------------|
| Customer Name: | Telephone Number: |
| Address: | |
| Model: | |
| Serial Number: | |
| Installation Company Name: | Phone Number: |
| Installation Technician's Name: | License Number: |

DESCRIPTION OF WORK

Location of installed appliance: _____

Venting System: New Venting System Yes No If yes, Brand _____

If no, Date of inspection of existing venting system: _____

COMMISSIONING

- Confirm Hearth Pad Installation as per Installation Instructions.....
- Confirm proper placement of internal parts.....
- Check soundness of door gasket and door seals
- Confirm clearances to combustibles as per installation instructions in this manual
- Check the operations of the air controls.....
- Confirm the venting system is secure and sealed
- Confirm the stove starts and operates properly
- Check to ensure a CO alarm is installed as per local building codes and is functional
- Explain the safe operation, proper fuel usage, cleaning, and routine maintenance requirements.....

Declaration of Completion: As the qualified person responsible for the work described above, I confirm that the appliance as associated work has been installed as per manufacturer's instructions and following any applicable building and installation codes.

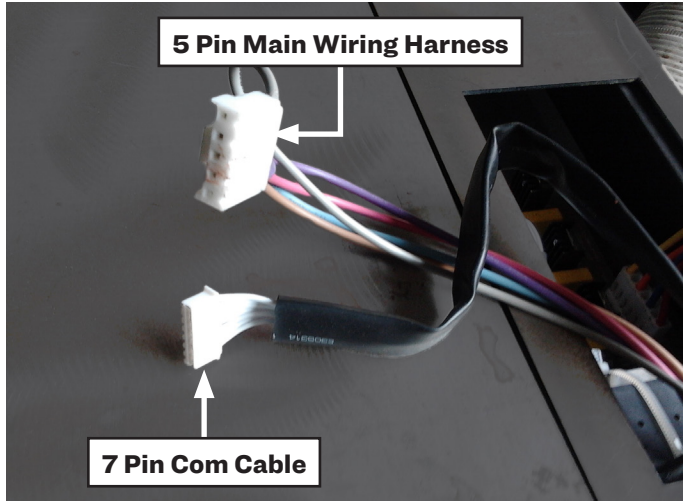
Signed: _____ Print Name: _____ Date: _____

Home Owner: RETAIN THIS INFORMATION FOR FUTURE REFERENCE

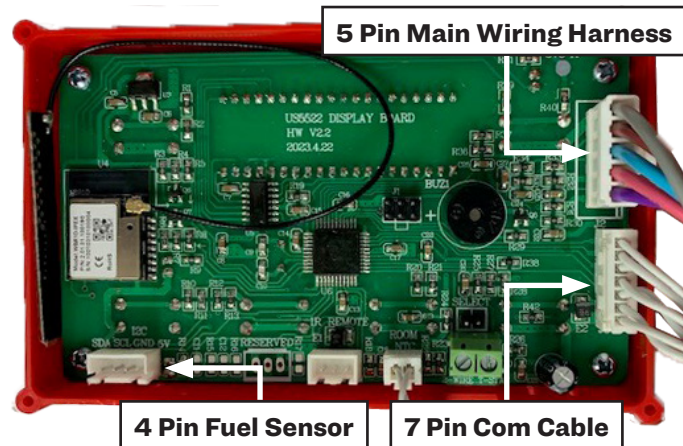
FOR CUSTOMER SERVICE CALL: 800-750-2723 EXT 5050

Top Control Mount Installation

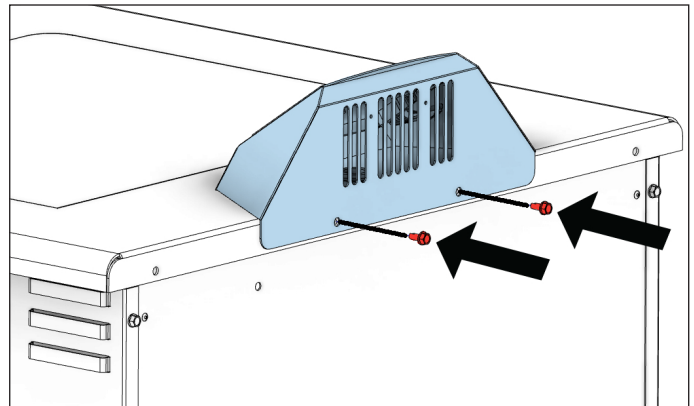
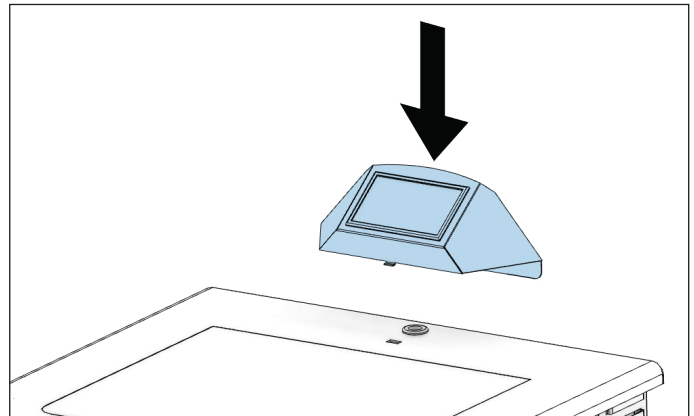
1. Pull the factory installed 5 Pin Main Wiring Harness, 7 Pin Com Cable, and 4 Pin Wiring Harness, (not shown) out of the top of the stove.



2. Unpack the top mount controls and ensure that all wires are securely attached.
3. Connect the factory installed 5 Pin Main Wiring Harness to the top right-hand corner of the control panel. Connect the factory installed 7 Pin Com Cable to the control panel directly below the 5 Pin Main Wiring Harness. Connect the 4 Pin Wiring Harness to the bottom left-hand corner of the control panel.



4. Secure the control panel to the top of the stove with two sheet metal screws.



SAFETY NOTICE

- IF THIS STOVE IS NOT PROPERLY INSTALLED, A HOUSE FIRE MAY RESULT. TO REDUCE THE RISK OF FIRE, FOLLOW THE INSTALLATION INSTRUCTIONS.
- CONTACT YOUR LOCAL BUILDING OFFICIALS TO OBTAIN A PERMIT AND INFORMATION ON ANY ADDITIONAL INSTALLATION RESTRICTIONS OR INSPECTION REQUIREMENTS IN YOUR AREA.
- DO NOT PLACE CLOTHING OR OTHER FLAMMABLE ITEMS ON OR NEAR THIS STOVE.
- NEVER USE GASOLINE, GASOLINE-TYPE LANTERN FUEL, KEROSENE, CHARCOAL LIGHTER FLUID, OR SIMILAR LIQUIDS TO START OR 'FRESHEN UP' A FIRE IN THIS STOVE. KEEP ALL SUCH LIQUIDS WELL AWAY FROM THE STOVE WHILE IT IS IN USE.
- THIS APPLIANCE IS A FREESTANDING HEATER. IT IS NOT INTENDED TO BE ATTACHED TO ANY TYPE OF DUCTING. IT IS NOT A FURNACE. DO NOT CONNECT THIS UNIT TO ANY AIR DISTRIBUTION DUCT OR SYSTEM. THIS APPLIANCE IS NOT INTENDED FOR COMMERCIAL USE.
- INSTALL VENT AT CLEARANCES SPECIFIED BY THE VENT MANUFACTURER.
- DO NOT INSTALL A FLUE DAMPER IN THE EXHAUST VENTING SYSTEM OF THIS UNIT.
- YOUR STOVE REQUIRES PERIODIC MAINTENANCE AND CLEANING (SEE "MAINTENANCE"). FAILURE TO MAINTAIN YOUR STOVE MAY LEAD TO IMPROPER AND/OR UNSAFE OPERATION.
- A POWER SURGE PROTECTOR IS REQUIRED. THIS UNIT MUST BE PLUGGED INTO A 110 - 120V, 60 HZ GROUNDED ELECTRICAL OUTLET. DO NOT USE AN ADAPTER PLUG OR SEVER THE GROUNDING PLUG. DO NOT ROUTE THE ELECTRICAL CORD UNDERNEATH, IN FRONT OF, OR OVER THE HEATER. DO NOT ROUTE THE CORD IN FOOT TRAFFIC AREAS OR PINCH THE CORD UNDER FURNITURE.

CAUTION:

BURNING FUEL CREATES CARBON MONOXIDE AND CAN BE HAZARDOUS TO YOUR HEALTH IF NOT PROPERLY VENTED.

ATTENTION:

- A WORKING SMOKE DETECTOR MUST BE INSTALLED IN THE SAME ROOM AS THIS PRODUCT.
- INSTALL A SMOKE DETECTOR ON EACH FLOOR OF YOUR HOME; IN CASE OF ACCIDENTAL FIRE FROM ANY CAUSE IT CAN PROVIDE TIME FOR ESCAPE.
- THE SMOKE DETECTOR MUST BE INSTALLED AT LEAST 15 FEET (4,57 M) FROM THE APPLIANCE IN ORDER TO PREVENT UNDUE TRIGGERING OF THE DETECTOR WHEN RELOADING.

CAUTION:

- USE OF OUTSIDE AIR IS NOT REQUIRED FOR THIS UNIT.
- DO NOT UNPLUG THE STOVE IF YOU SUSPECT A MALFUNCTION. TURN THE ON/OFF SWITCH TO "OFF" AND CONTACT CUSTOMER SERVICE.
- THE HEATER WILL NOT OPERATE DURING A POWER OUTAGE. IF A POWER OUTAGE DOES OCCUR, CHECK THE HEATER FOR SMOKE SPILLAGE AND OPEN A WINDOW IF ANY SMOKE SPILLS INTO THE ROOM.
- NEVER BLOCK FREE AIRFLOW THROUGH THE OPEN VENTS OF THE UNIT.



We recommend that our woodburning hearth products be installed and serviced by professionals who are certified in the U.S. by the National Fireplace Institute® (NFI) as NFI Woodburning Specialists or who are certified in Canada by Wood Energy Technical Training (WETT).



Your heater should be installed by a qualified NFI (US) or WETT (Canada) technician. To find the nearest qualified installer, go to:

<https://nficertified.org>,

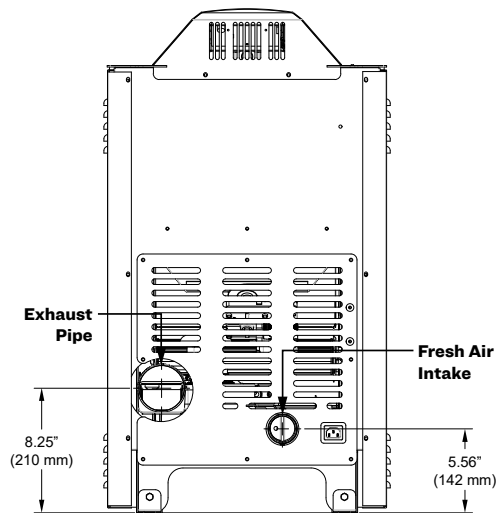
<https://www.wettinc.ca/>

FOR CUSTOMER SERVICE CALL: 800-750-2723 EXT 5050

IMPROPER INSTALLATION

The use of other components other than stated herein could cause bodily harm, heater damage, and void your warranty. The manufacturer will not be held responsible for damage caused by the malfunction of a stove due to improper venting or installation.

AIR INTAKE & EXHAUST LOCATIONS

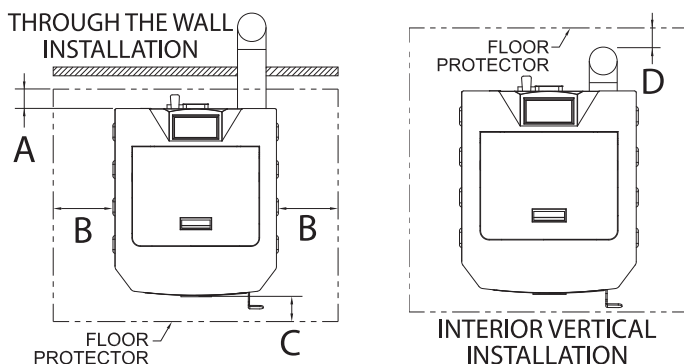


FLOOR PROTECTION

This heater must have a non-combustible floor protector (UL1618 ember protection) installed beneath it if the floor is of combustible material.

USA- The floor protector should be listed to UL 1618 or equivalent to type 1 ember floor protection. The floor protection must extend 6" (153mm) to the front, 6" (153mm) on each side and 1" to the rear of the appliance. Under and 2" (51mm) beyond each side of cleanout tee if indoor vertical installation. See diagram for further information

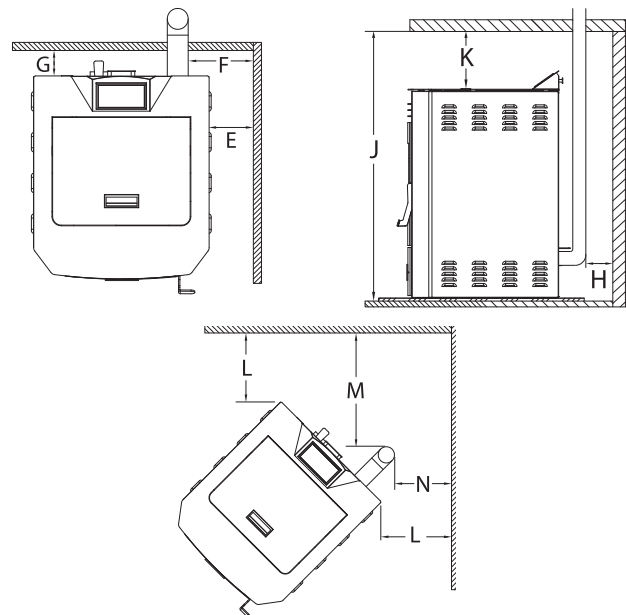
Canada - Floor protector must comply with CAN/ULC standards. Must extend 18" (458mm) forward and 8" (204mm) beyond each side of unit.



| | | | | |
|---|----------------|-------|-----|--------|
| A | Back to Stove | U.S.A | 1" | 26 mm |
| | | CAN | 8" | 204 mm |
| B | Side to Stove | U.S.A | 6" | 153 mm |
| | | CAN | 8" | 204 mm |
| C | Front to Stove | U.S.A | 6" | 153 mm |
| | | CAN | 18" | 458 mm |
| D | Back to Flue | | 2" | 51 mm |

CLEARANCES

Your pellet stove has been tested and listed for installation in residential, mobile home / transportable building in accordance with the clearances given below. For safety reasons, please adhere to the installation clearances and restrictions. Any reduction in clearance to combustibles may only be done by means approved by a regulatory authority.



| | | | |
|---|---------------------------|---------|---------|
| E | Side Wall to Stove | 8" | 204 mm |
| F | Side Wall to PL Vent Pipe | 10" | 254 mm |
| G | Back Wall to Stove | 9.25" | 235 mm |
| H | Back Wall to PL Vent Pipe | 3" | 76 mm |
| J | Ceiling to Floor | 60" | 1524 mm |
| K | Ceiling to Stove | 27.5" | 699 mm |
| L | Wall to Stove | 7-1/2" | 191 mm |
| M | Side Wall to PL Vent Pipe | 11-1/4" | 286 mm |
| N | Wall to PL Vent Pipe | 7-1/2" | 191 mm |

OUTSIDE AIR SUPPLY (OPTIONAL, UNLESS INSTALLING IN A MOBILE HOME / TRANSPORTABLE BUILDING)

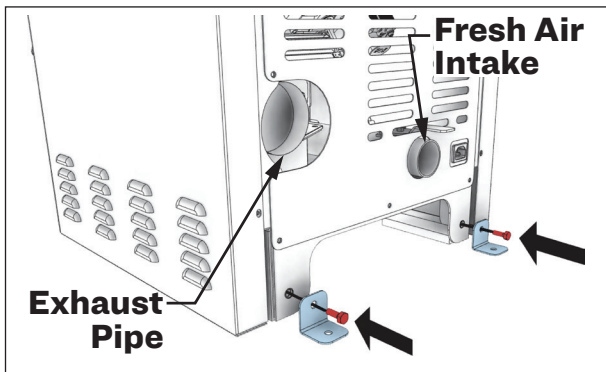
Depending on your location and home construction, outside air may be necessary for optimal performance. Your stove is approved to be installed with an outside air intake (69FAK) which is necessary for a mobile home / transportable building. You can purchase the 69FAK through your heater dealer. Installation instructions are supplied with the air intake kit.

ATTENTION:

DO NOT VENT UNDER ANY PORCH, DECK, AWNING, OR IN ANY SEMI ENCLOSED OR ROOFED AREA. DOING SO MAY RESULT IN UNPREDICTABLE AIRFLOW AT THE VENT CAP UNDER CERTAIN CONDITIONS AND CAN AFFECT THE PERFORMANCE OF YOUR STOVE, AS WELL AS, OTHER UNFORESEEABLE ISSUES.

SECURING APPLIANCE TO THE FLOOR

Use the designated holes to secure the unit to the floor.



WARNING! DO NOT INSTALL IN SLEEPING ROOM.

CAUTION! THE STRUCTURAL INTEGRITY OF THE MOBILE HOME / TRANSPORTABLE BUILDING FLOOR, WALL, AND CEILING/ROOF MUST BE MAINTAINED.

WHEN INSTALLED IN A MOBILE HOME / TRANSPORTABLE BUILDING, THE STOVE MUST BE GROUNDED DIRECTLY TO THE STEEL CHASSIS AND BOLTED TO THE FLOOR.

In addition to the previously detailed installation requirements, mobile home / transportable building installations must meet the following requirements:

- This stove must be securely fastened to the floor of the mobile home / transportable building through the two holes in the rear of the stove using 2, 1/4" lag bolts that are long enough to go through both a hearth pad, if used, and the floor of the home.

- The heater must be electrically grounded to the steel chassis of the mobile home / transportable building with 8 GA copper wire using a serrated or star washer to penetrate paint or protective coating to ensure grounding.
- Vent must be 3 or 4-inch "PL" Vent and must extend a minimum of 36" (914 mm) above the roof line of the mobile home / transportable building and must be installed using a certified ceiling fire stop and rain cap.
- When moving your mobile home / transportable building, all exterior venting must be removed while the mobile home / transportable building is being relocated. After relocation, all venting must be reinstalled and securely fastened.
- Outside Air is mandatory for mobile home / transportable building installation. See Outside Air Supply section and your dealer for purchasing.
- Check with your local building officials as other codes may apply.

VENTING REQUIREMENTS

A compatible appliance adapter is required for the proper venting installation of this unit. Purchase the appropriate appliance adapter from your preferred venting company prior to starting the ventilation process.



WARNING:

- **INSTALL VENT AT CLEARANCES SPECIFIED BY THE VENT MANUFACTURER.**
- **DO NOT CONNECT THE PELLET VENT TO A VENT SERVING ANY OTHER APPLIANCE OR STOVE.**
- **DO NOT INSTALL A FLUE DAMPER IN THE EXHAUST VENTING SYSTEM OF THIS UNIT.**

The following installation guidelines must be followed to ensure conformity with both the safety listing of this stove and to local building codes. Do not use makeshift methods or compromise in the installation.

IMPORTANT:

THIS UNIT IS EQUIPPED WITH A NEGATIVE DRAFT SYSTEM THAT PULLS AIR THROUGH THE BURN POT AND PUSHES THE EXHAUST OUT OF THE DWELLING. IF THIS UNIT IS CONNECTED TO A FLUE SYSTEM OTHER THAN THE WAY EXPLAINED IN THIS MANUAL, IT WILL NOT FUNCTION PROPERLY.

MAXIMUM VENTING DISTANCE

Installation MUST include at least 3-feet of vertical pipe outside the home. This will create some natural draft to reduce the possibility of smoke or odor during appliance shutdown and keep exhaust from causing a nuisance or hazard by exposing people or shrubs to high temperatures. The maximum recommend vertical venting height is 12-feet for 3-inch type “PL” vent. Total length of horizontal vent must not exceed 4-feet. This could cause back pressure. Use no more than 180 degrees of elbows (two 90-degree elbows, or two 45-degree and one 90-degree elbow, etc.) to maintain adequate draft.

IMPORTANCE OF PROPER DRAFT

Draft is the force which moves air from the appliance up through the chimney. The amount of draft in your chimney depends on the length of the chimney, local geography, nearby obstructions and other factors. Too much draft may cause excessive temperatures in the appliance. Inadequate draft may cause backpuffing into the room and ‘plugging’ of the chimney. Inadequate draft will cause the appliance to leak smoke into the room through appliance and chimney connector joints. An uncontrollable burn or excessive temperature indicates excessive draft. Take into account the chimney’s location to ensure it is not too close to neighbours or in a valley which may cause unhealthy or nuisance conditions.

PELLET VENT TYPE

A certified 3-inch or 4-inch type “PL” pellet vent exhaust system must be used for installation and attached to the pipe connector provided on the back of the stove (use a 3-inch to 4-inch adapter for 4-inch pipe). Connection at back of stove must be sealed using Hi-Temp RTV. Use 4-inch vent if the vent height is over 12-feet or if the installation is over 2,500 feet above sea level. We recommend the use of Simpson Dura-Vent® or Metal-Fab® pipe (if you use other pipe, consult your local building codes and/or building inspectors). Do not use Type-B Gas Vent pipe or galvanized pipe with this unit.

The pellet vent pipe is designed to disassemble for cleaning and should be checked several times during the burning season. Pellet vent pipe is not furnished with the unit and must be purchased separately.

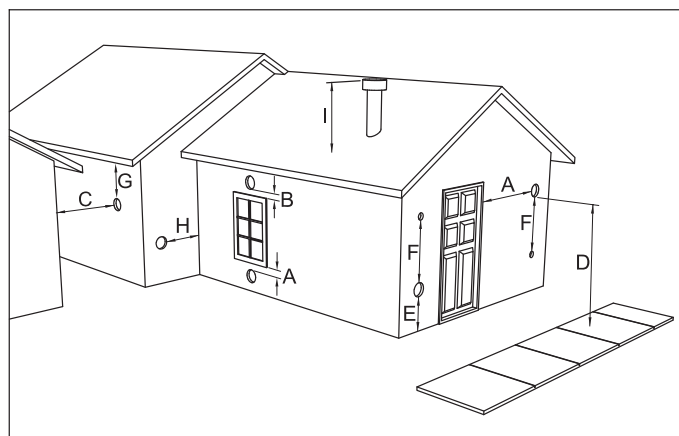
PELLET VENT INSTALLATION

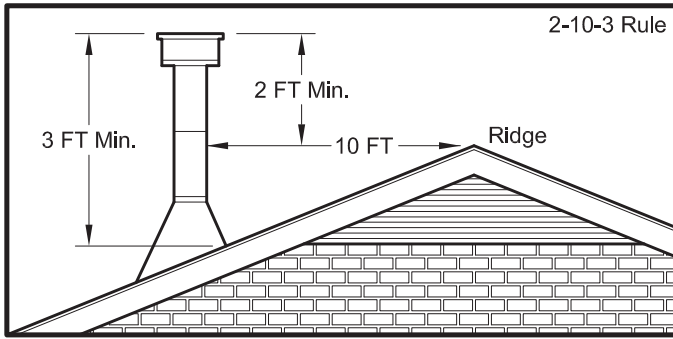
The installation must include a clean-out tee to enable collection of fly ash and to permit periodic cleaning of the exhaust system. 90-degree elbows accumulate fly ash and soot thereby reducing exhaust flow and performance of the stove. Each elbow or tee reduces draft potential by 30% to 50%. All joints in the vent system must be fastened by at least 3 screws, and all joints must be sealed with Hi-Temp RTV silicone sealant to be airtight. The area where the vent pipe penetrates to the exterior of the home must be sealed with silicone or other means to maintain the vapor barrier between the exterior and the interior of the home. Vent surfaces can get hot enough to cause burns if touched by children. Noncombustible shielding or guards may be required.

PELLET VENT TERMINATION

Do not terminate the vent in an enclosed or semi-enclosed area, such as; carport, garage, attic, crawl space, under a sun deck or porch, narrow walkway, or any other location that can build up a concentration of fumes. Termination in one of these areas can also lead to unpredictable pressure situations with the appliance, and could result in improper performance and/or malfunction. The termination must exhaust above the outside air inlet elevation. The termination must not be located where it will become plugged by snow or other materials. Do not terminate the venting into an existing steel or masonry chimney.

VENT TERMINATION CLEARANCES



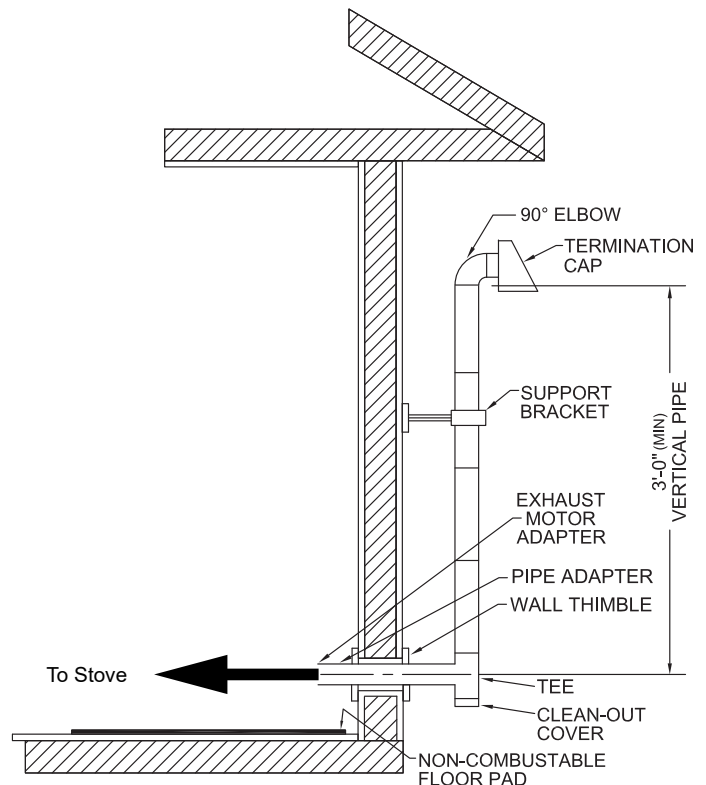


- A. Minimum 4-foot (1.22m) clearance below or beside any door or window that opens.
- B. Minimum 1-foot (0.3m) clearance above any door or window that opens.
- C. Minimum 3-foot (0.91m) clearance from any adjacent building.
- D. Minimum 7-foot (2.13m) clearance from any grade when adjacent to public walkways.
- E. Minimum 2-foot (0.61m) clearance above any grass, plants, or other combustible materials.
- F. Minimum 3-foot (0.91m) clearance from an forced air intake of any appliance.
- G. Minimum 2-foot (0.61m) clearance below eaves or overhang.
- H. Minimum 1-foot (0.3m) clearance horizontally from combustible wall.
- I. Must be a minimum of 3 foot (0.91m) above the roof and 2 foot (0.61m) above the highest point or the roof within 10 feet (3.05m).

THROUGH THE WALL INSTALLATION (RECOMMENDED INSTALLATION)

Canadian installations must conform to CAN/CSA-B365. To vent the unit through the wall, connect the pipe adapter to the exhaust motor adapter. If the exhaust adapter is at least 18" (457 mm) above ground level, a straight section of pellet vent pipe can be used through the wall. Your heater dealer should be able to provide you with a kit that will handle most of this installation, which will include a wall thimble that will allow the proper clearance through a combustible wall. Once outside the structure, a 3" (76 mm) clearance should be maintained from the outside wall and a clean out tee should be placed on the pipe with a 90-degree turn away from the house. At this point, a 3ft (0.91m) (minimum) section of pipe should be added with a horizontal cap, which would complete the installation. A support bracket should be placed just below the termination cap or one every 4ft

(1.22m) to make the system more stable. If you live in an area that has heavy snowfall, it is recommended that the installation be taller than 3ft (0.91m) to get above the snowdrift line. This same installation can be used if your heater is below ground level by simply adding the clean-out section and vertical pipe inside until ground level is reached. With this installation you have to be aware of the snowdrift line, dead grass, and leaves. We recommend a 3ft (0.91m) minimum vertical rise on the inside or outside of the house. The "through the wall" installation is the least expensive and simplest installation. Never terminate the end vent under a deck, in an alcove, under a window, or between two windows. We recommend Simpson Dura-Vent® or Metal-Fab® kits.



THROUGH THE ROOF/CEILING INSTALLATION

- When venting the heater through the ceiling, the pipe is connected the same as through the wall, except the clean-out tee is always on the inside of the house, and a 3" (76 mm) adapter is added before the clean-out tee.
- You must use the proper ceiling support flanges and roof flashing (supplied by the pipe manufacturer; follow the pipe manufacturer's directions). It is important to note that if your vertical run of pipe is more than 12ft (3.7m), the pellet vent pipe size should be increased to 4" (102 mm) in diameter.

- Do not exceed more than 4ft (1.22m) of pipe on a horizontal run and use as few elbows as possible. If an offset is required, it is better to install 45-degree elbows rather than 90-degree elbows.

WARNING:

YOU MAY WANT TO LOCATE ANY UTILITIES OR OBSTACLES INSIDE THE WALL BEFORE ATTEMPTING THIS INSTALL. MAKE SURE TO KEEP IN MIND YOUR UNIT'S CLEARANCE REQUIREMENTS.

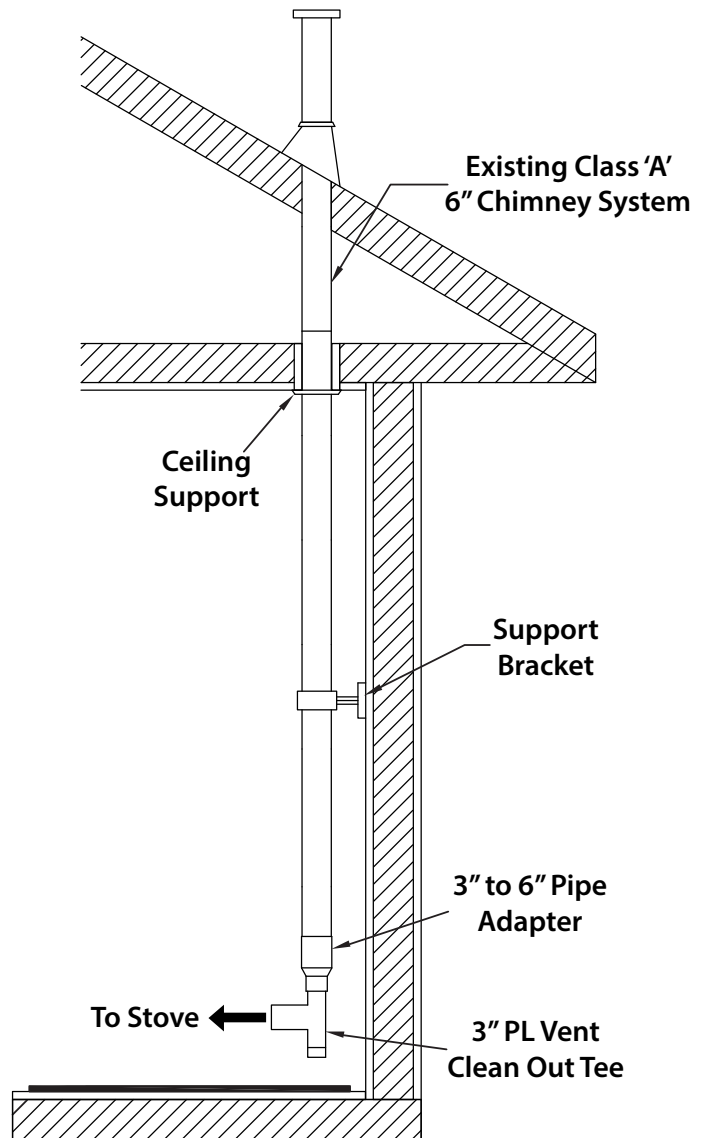
1. Mark the area and then cut the wall for vent installation if needed.
2. Install the wall thimble as specified by the manufacturer (wall thimble sold separately).
3. Install venting.

VENTING YOUR PELLET STOVE INTO AN EXISTING CLASS A 6" CHIMNEY SYSTEM

IMPORTANT:

IF YOU ARE INSTALLING YOUR PELLET STOVE AS A REPLACEMENT TO AN EXISTING WOOD STOVE, YOU CAN INSTALL YOUR PELLET STOVE USING THE EXISTING CLASS A 6" VENTING SYSTEM.

1. You must have the existing chimney system cleaned and/or inspected by a qualified chimney sweep before proceeding with the installation of your pellet stove.
2. To the right is an example of an installation using part number 860001, 3-6" transition into 6" connector pipe (the illustration is only an example). Please conform to any local building codes or regulations having jurisdiction before you have a qualified installer proceed with this installation.



NEVER OPERATE THIS PRODUCT WHILE UNATTENDED

HOW YOUR HEATER WORKS

Your pellet heater operates on a timer based auger fuel feed system, that is controlled by a digital circuit board. The fuel is delivered from the auger into a burn pot, which is the vessel where the combustion process takes place. Based upon the heat ranges (1-5), the heater will feed the appropriate amount of fuel to reach a set temperature range. Note that the amount of heat produced by the heater is proportional to the rate of the fuel that is burned. Your heater is equipped with an automatic ignition system that should ignite the fuel within 5-10 minutes from pressing the ON button. As pellets fall into the burn pot and ignite, outside air is drawn in to feed the fire by a combustion blower. The post combustion gases are then pulled through the heat exchanger as they are traveling out the exhaust. As the heater warms up, room air is circulated around the heat exchanger by means of a room air blower, distributing warm air into the room. Because a forced draft pressure is required for the combustion process inside your heater, it is extremely important that the exhaust system be properly maintained. And, that when operating your heater, you make sure that the viewing and combustion doors are properly closed and/or sealed.

CONTROL PANEL OVERVIEW

Turning the heater ON/OFF, as well as adjustments for the fuel feed rate is performed by pressing the appropriate button(s) on the control panel.

ON/OFF (Power)

- Pressing the “ON” button on the control panel will begin the start-up sequence for the heater. Fuel will begin to feed through the auger feed system then ignite after approx. 5 minutes.
- Pressing the “OFF” button on the control panel will cause the heater to enter its shut-down sequence. The fuel feed system will stop pulling fuel from the hopper and, once the fire goes out and the heater cools down, the fans will stop running.

HEAT RANGE

- Pressing the “Heat Range” arrows, up or down, will adjust the amount of fuel being delivered to the burn pot.
- The exhaust blower will start. Note that this appliance pulses the exhaust blower in order to achieve the proper air to fuel ratio, and to also aid in the cleaning of the burn pot.

- Once the heater reaches a set temperature, the room fan will come on.

WIFI

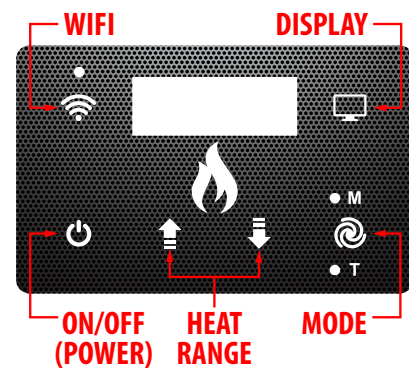
- Press the “WIFI” button to begin pairing the unit to your phone.

DISPLAY

- Pressing the “Display” button toggles the display between the heat range and the room temperature.

MODE

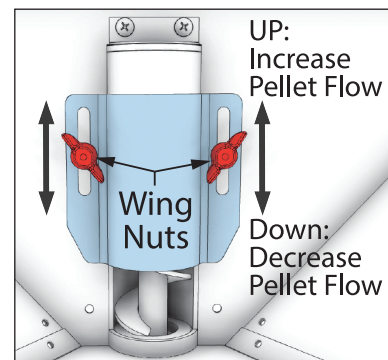
- Use the “Mode” button to switch between (M) manual mode and (T) thermostat mode.



HOW TO ADJUST THE FUEL ADJUSTER

It is a common occurrence in the pellet industry for the average pellet size to vary. Due to the varying sizes of pellets, this appliance is equipped with a fuel adjuster to adjust the amount of fuel allowed to pass into the auger assembly. The fuel adjuster is located inside the hopper. Note: The factory default setting for this is full open. To decrease the flow of pellets, move the fuel adjuster down.

1. Turn off and unplug the appliance.
2. Loosen the two wing-nuts.
3. Adjust up to increase, or down to reduce the fuel usage based on the size of the pellets.
4. Tighten the two wing-nuts.



WARNING:

- **DO NOT USE CHEMICALS OR FLUIDS TO START THE FIRE - NEVER USE GASOLINE, GASOLINE-TYPE LANTERN FUEL, KEROSENE, CHARCOAL LIGHTER FLUID, OR SIMILAR LIQUIDS TO START OR “FRESHEN UP” A FIRE IN THIS STOVE. KEEP ALL SUCH LIQUIDS WELL AWAY FROM THE STOVE WHILE IT IS IN USE.**
- **HOT WHILE IN OPERATION. KEEP CHILDREN, CLOTHING AND FURNITURE AWAY. CONTACT MAY CAUSE SKIN BURNS.**

This heater is designed to burn only PFI Premium grade pellets. DO NOT BURN:

1. Garbage;
2. Lawn clippings or yard waste;
3. Materials containing rubber, including tires;
4. Materials containing plastic;
5. Waste petroleum products, paints or paint thinners, or asphalt products;
6. Materials containing asbestos;
7. Construction or demolition debris;
8. Railroad ties or pressure-treated wood;
9. Manure or animal remains;
10. Salt water driftwood or other previously salt water saturated materials;
11. Unseasoned wood; or
12. Paper products, cardboard, plywood, or particleboard. The prohibition against burning these materials does not prohibit the use of fire starters made from paper, cardboard, saw dust, wax and similar substances for the purpose of starting a fire in an affected wood heater.

Burning these materials may result in release of toxic fumes or render the heater ineffective and cause smoke.

PROPER FUEL

ATTENTION:

THIS APPLIANCE IS DESIGNED FOR THE USE OF PELLETIZED FUEL THAT MEET OR EXCEED THE STANDARD SET BY THE PELLET FUEL INSTITUTE (PFI).

Your pellet stove is designed to burn premium hardwood pellets that comply with the Pellet Fuels Institute (PFI)

standard (minimum of 40 lbs density per cubic ft, 1/4” to 5/16” diameter, length no greater than 1.5”, not less than 8,200 BTU/lb, moisture under 8% by weight, ash under 1% by weight, and salt under 300 parts per million). Pellets that are soft, contain excessive amounts of loose sawdust, have been, or are wet, will result in reduced performance. Store your pellets in a dry place. DO NOT store the fuel within the installation clearances of the unit or within the space required for refuelling and ash removal. Doing so could result in a house fire. Do not over fire or use volatile fuels or combustibles, doing so may cause a personal and property damage hazards.

THIS STOVE IS APPROVED FOR BURNING PELLETIZED WOOD FUEL ONLY ! Factory-approved pellets are those 1/4” or 5/16” in diameter and not over 1” long. Longer or thicker pellets sometimes bridge the auger flights, which prevents proper pellet feed. Burning wood in forms other than pellets is not permitted. It will violate the building codes for which the stove has been approved and will void all warranties. The design incorporates automatic feed of the pellet fuel into the fire at a carefully prescribed rate. Any additional fuel introduced by hand will not increase heat output but may seriously impair the stoves performance by generating considerable smoke. Do not burn wet pellets. The stove’s performance depends heavily on the quality of your pellet fuel. Avoid pellet brands that display these characteristics:

- Excess Fines – “Fines” is a term describing crushed pellets or loose material that looks like sawdust or sand. Pellets can be screened before being placed in hopper to remove most fines.
- Binders – Some pellets are produced with materials to hold the together, or “bind” them.
- High ash content – Poor quality pellets will often create smoke and dirty glass. They will create a need for more frequent maintenance. You will have to empty the burn pot plus vacuum the entire system more often. Poor quality pellets could damage the auger. We cannot accept responsibility for damage due to poor quality pellet.

CAUTION:

- **KEEP FOREIGN OBJECTS OUT OF THE HOPPER.**
- **THE MOVING PARTS OF THIS STOVE ARE PROPELLED BY HIGH TORQUE ELECTRIC MOTORS. KEEP ALL BODY PARTS AWAY FROM THE AUGER WHILE THE STOVE IS PLUGGED INTO AN ELECTRICAL OUTLET. THESE MOVING PARTS MAY BEGIN TO MOVE AT ANY TIME WHILE THE STOVE IS PLUGGED IN.**

PRE-START-UP CHECK

Remove burn pot, making sure it is clean and none of the air holes are plugged. Clean the firebox, and then reinstall burn pot. Clean door glass if necessary (a dry cloth or paper towel is usually sufficient). Never use abrasive cleaners on the glass or door. Check fuel in the hopper, and refill if necessary.

BUILDING A FIRE

Never use a grate or other means of supporting the fuel. Use only the burn pot supplied with this heater. Hopper lid must be closed in order for the unit to feed pellets. During the start-up period:

- Make sure the burn pot is free of pellets.
- DO NOT open the viewing door.
- DO NOT add pellets to the burn pot by hand.

NOTE: During the first few fires, your stove will emit an odor as the high-temperature paint cures or becomes seasoned to the metal. Maintaining smaller fires will minimize this. Avoid placing items on the stovetop during this period because the paint could be affected. Attempts to achieve heat output rates that exceed heater design specifications can result in permanent damage to the heater.

OPTIMAL OPERATION

This pellet stove has been certified by the US EPA to meet strict 2020 guidelines. To insure this unit produces the optimal minimal emissions, it is critical to follow the following guidelines. To achieve a “high burn” your stove should be set on setting 5 with the damper fully open. To achieve a “medium burn” your stove should be set on setting 1 with the damper fully closed. To achieve a “low burn” your stove should be set on setting 1 with the damper closed. Settings 2, 3 & 4 will give you a higher heat output above medium and the damper should be open for these settings. If the door is opened while the stove is in operation it must be closed within 30 seconds or the stove will shut down. If the stove shuts down push the “On/Off” button to re-start your stove. The stove will have to fully shut down and turn off before you will be able to restart the stove.

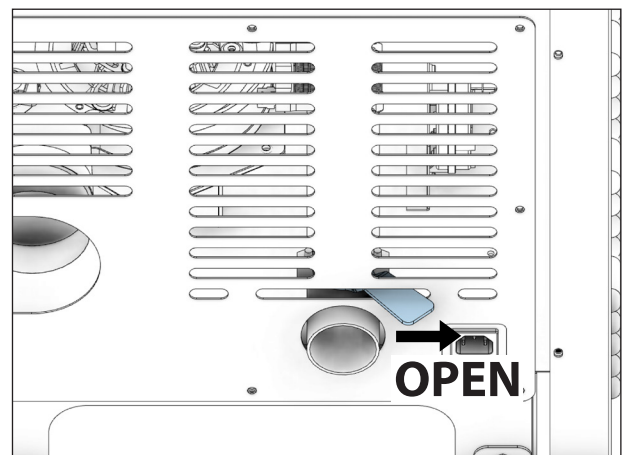
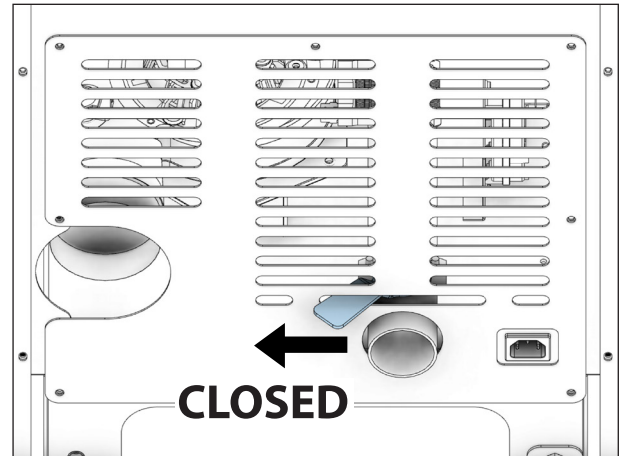
IGNITOR

1. Fill the hopper and clean the burn pot.
2. Press the “On/Off” button.
3. Set the heat range/temperature. **Manual Mode** - Press the “Display Button” to see the current heat range. Use the up and down arrows to adjust the heat range. **T-stat Mode** - Press the “Display Button” to

see the current temperature setting. Use the up and down arrows to adjust the temperature as needed.

If the fire doesn’t start in 12 minutes, press “On/Off”, wait a few minutes, clear the burn pot, and start the procedure again.

DAMPER CONTROL



The damper control lever is located on the back of the stove on the lower left side. The default setting for the damper control should be full open. The damper adjusts the combustion air. This control is necessary due to the varied burn characteristics of individual installations, different pellet brands and pellet feed rates. It allows you to improve the efficiency of your stove. Providing correct combustion air will reduce the frequency of cleaning your glass door and prevent the rapid buildup of creosote inside your stove and chimney. You should adjust the damper based on the fire’s appearance. A low, reddish, dirty fire can be improved by turning the damper slightly to the right. A “blow torch” fire can be improved by turning the dampener to the left a little bit. For optimal burning results, refer to “Optimal Operation” section of this manual.

OPENING DOOR

CAUTION:

- **DO NOT OPERATE YOUR STOVE WITH THE VIEWING DOOR OPEN. THE AUGER WILL NOT FEED PELLETS UNDER THESE CIRCUMSTANCES AND A SAFETY CONCERN MAY ARISE FROM SPARKS OR FUMES ENTERING THE ROOM.**
- **THE FEED DOOR MUST BE CLOSED AND SEALED DURING OPERATION.**

If the door is opened while the stove is in operation it must be closed within 30 seconds or the stove will shut down. If the stove shuts down push the “On/Off” button to re-start your stove. The stove will have to fully shut down and turn off before you will be able to restart the stove.

ROOM AIR FAN

When starting your stove the Room Air Fan will not come on until the stove’s heat exchanger warms up. This usually takes about 10 minutes from start-up.

IF STOVE RUNS OUT OF PELLETS

This stove is fitted with a fuel level sensor that, when connected to WiFi and detects a low fuel level, will cause the display on the stove to flash and send a notification to the accompanying app.



The fire goes out and the auger motor and blowers will run until the stove cools. This will take 30 minutes or longer depending on the heat remaining in the appliance.

After the stove components stop running all lights on the display will go out and the two digit display show “E3”

REFUELLING

CAUTION:

- **THE HOPPER AND STOVE TOP WILL BE HOT DURING OPERATION; THEREFORE, YOU SHOULD ALWAYS USE SOME TYPE OF HAND PROTECTION WHEN REFUELING YOUR STOVE.**
- **DO NOT TOUCH THE HOT SURFACES OF THE STOVE. EDUCATE ALL CHILDREN ON THE DANGERS OF A HIGH-TEMPERATURE STOVE. YOUNG CHILDREN SHOULD BE SUPERVISED WHEN THEY ARE IN THE SAME ROOM AS THE STOVE.**
- **NEVER PLACE YOUR HAND NEAR THE AUGER WHILE THE STOVE IS IN OPERATION.**
- **WE RECOMMEND YOU NOT LET THE HOPPER DROP BELOW 1/4 FULL.**

WARNING:

- **KEEP HOPPER LID CLOSED AT ALL TIMES EXCEPT WHEN REFILLING.**
- **DO NOT OVERFILL HOPPER.**

TAMPER WARNING

This wood heater has a manufacturer-set minimum low burn rate that must not be altered. It is against federal regulations to alter this setting or otherwise operate this wood heater in a manner inconsistent with operating instructions in this manual.

SHUTDOWN PROCEDURE

WARNING:

- **NEVER SHUT DOWN THIS UNIT BY UNPLUGGING IT FROM THE POWER SOURCE.**

Turning your stove off is a matter of pressing the “POWER” button on the display board. The auger motor will stop, and the blowers will continue to operate until the internal firebox temperatures have fallen to a preset level.

1. Your stove is equipped with a high temperature thermdisc. This unit has a manual reset thermdisc. This safety switch has two functions.

- A. To recognize an overheat situation in the stove and shut down the fuel feed or auger system.
- B. In case of a malfunctioning convection blower, the high-temperature thermodisc will automatically shut down the auger, preventing the stove from overheating.

NOTE: On some units, once tripped, like a circuit breaker, the reset button will have to be pushed before restarting your stove. On other units the thermodisc has no reset button and will reset itself once the stove has cooled. The manufacturer recommends that you call customer service if this occurs as this may indicate a more serious problem. A service call may be required.

- 2. If the combustion blower fails, an air pressure switch will automatically shut down the auger.

NOTE: Opening the stove door for more than 30 seconds during operation will cause enough pressure change to activate the air switch, shutting the fuel feed off. The stove will shut down and show “E2” on the two digit display. The stove has to fully shut down before restarting.

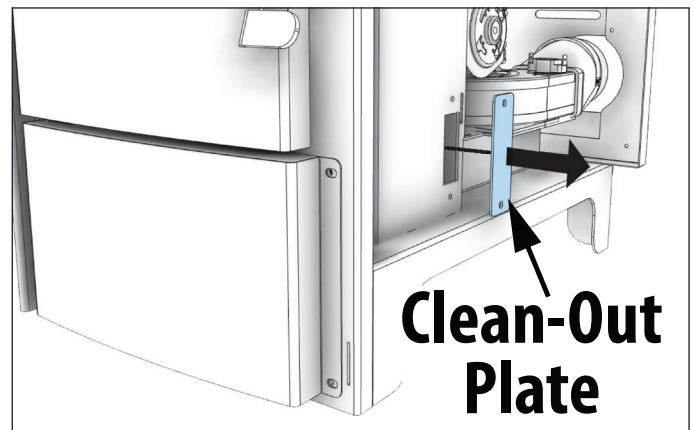
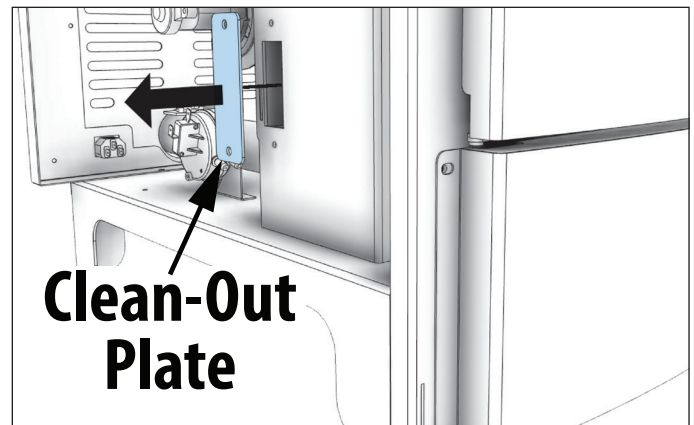
INTERIOR CHAMBERS

- **Burn Pot** - Periodically remove and clean the burn pot and the area inside the burn pot housing. In particular, it is advisable to clean out the holes in the burn pot to remove any build up that may prevent air from moving through the burn pot freely.
- **Heat Exchanger** - There is a clean out plate on both sides of the heat exchanger that need to be removed to clean fly ash out of the heat exchanger. The cleanouts are located inside the cabinet doors, on the lower front corners of the heat exchanger. To access these clean outs, you must remove both side panels. The clean outs are secured to the firebox with (2) 5/16” screws. Remove the clean outs and vacuum out any accumulated ash. This should be done at least once per month or more frequently if large amounts of ash are noticed while cleaning or if the stove does not seem to be burning properly.

If a vacuum is used to clean your stove, we suggest using the AV15E AshVac vacuum. The AV15E AshVac is designed for ash removal. Some regular vacuum cleaner (i.e. shop vacs) may leak ash into the room.

DO NOT VACUUM HOT ASH.

WARNING:
FAILURE TO PROPERLY MAINTENANCE THE CLEAN OUTS WILL RESULT IN POOR PERFORMANCE OF THIS STOVE.



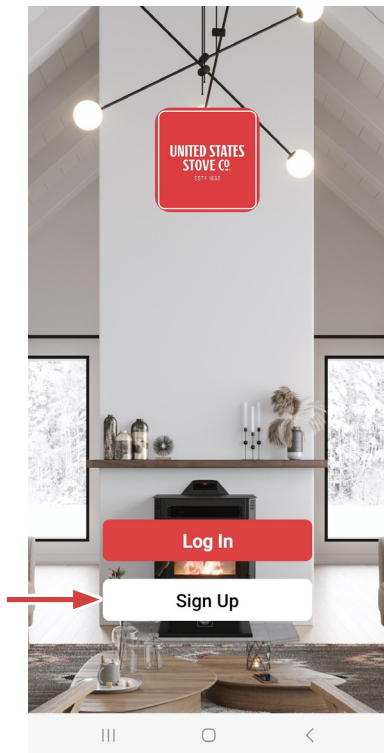
APP SETUP

This stove can be monitored and controlled by using the US Stove Company app which is available for iOS or Android devices through the app store.

1. Download the US Stove Company app.

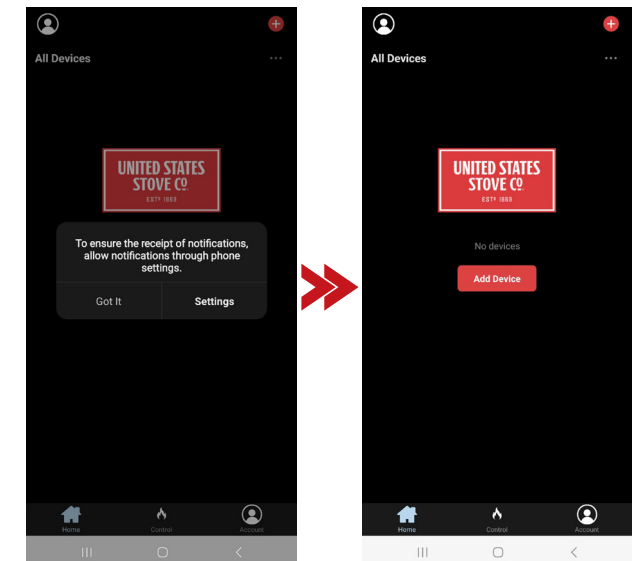
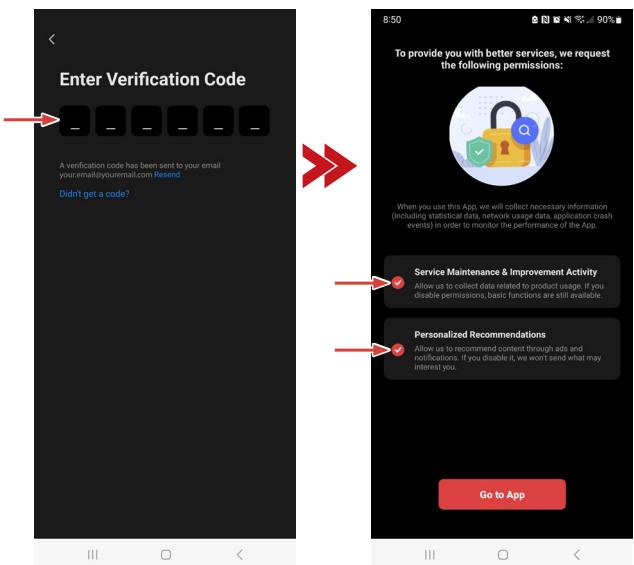
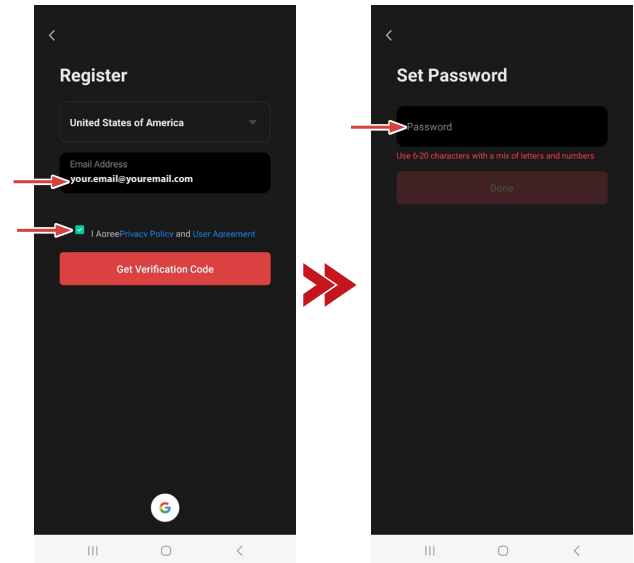


2. Open the app and select "Sign Up". Note: You will only need to go through the sign-up process when using the app for the first time.



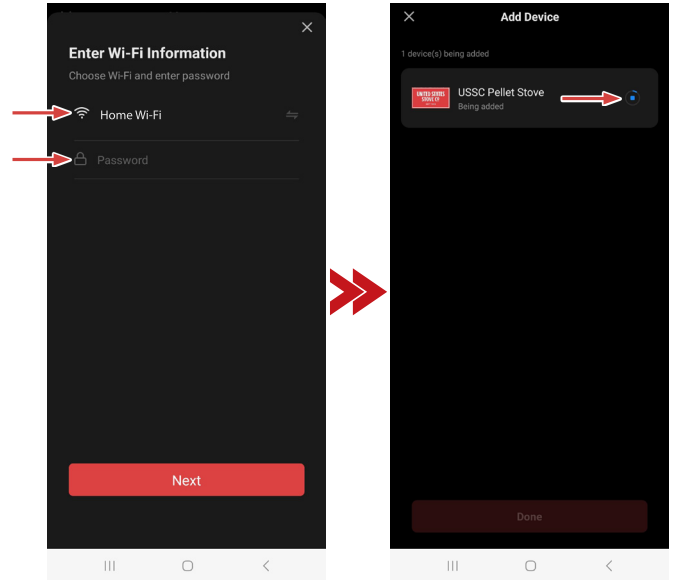
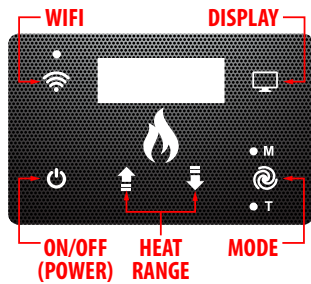
3. Follow the on-screen instructions.

- Enter your email and agree to the Privacy Policy and User Agreement.
- Make a password that is 6-20 characters with a mix of letters and numbers.
- Enter the 6 digit verification code that was sent to the previously entered email address.
- Provide access to the two permissions requested.
- Allow notifications through the phones settings.
- The app is ready to add the unit.

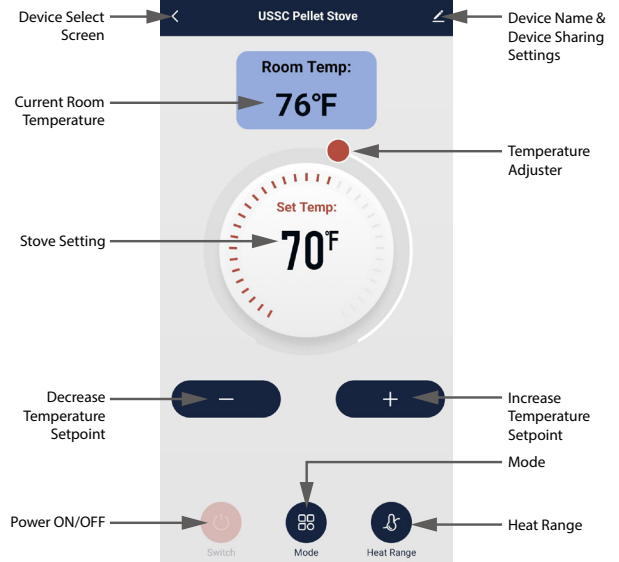
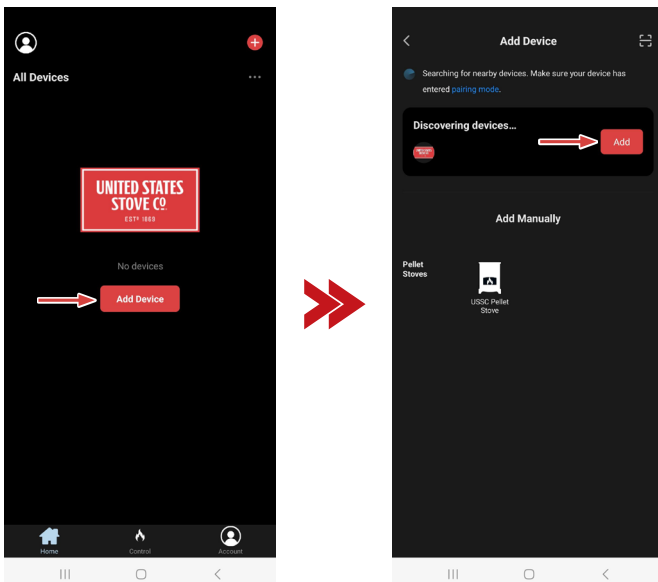
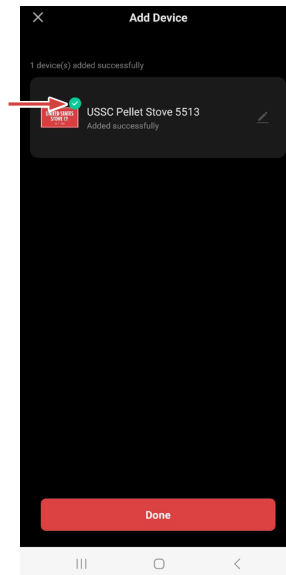


APP CONNECTION & OPERATION

1. Open the app. After the initial “Sign Up” process has been completed, the app opens, by default to the “Add Device” screen.
2. Make sure that your device and stove connect to the same Wi-Fi network.
3. Make sure the stove is plugged into an electrical outlet and can be powered on.
4. There is a red flashing indicator light located above the configure button. Note: When the indicator light is flashing the unit is ready to be paired. When the indicator light is solid the unit has successfully paired.



5. Select “Add Device”. Note: Access to location and Bluetooth is required while using the app.
6. A screen with “Discovering Devices” will come up. Press the “Add” button.
7. Enter the Wi-Fi information.
8. The blue circle indicates the device is in the process of being added.
9. Once the unit has been successfully added a green check mark will appear. The app and unit are now ready for use.



NEVER OPERATE THIS PRODUCT WHILE UNATTENDED

CAUTION:

- **FAILURE TO CLEAN AND MAINTAIN THIS UNIT AS INDICATED CAN RESULT IN POOR PERFORMANCE, SAFETY HAZARDS, FIRE, AND EVEN DEATH.**
- **NEVER PERFORM ANY INSPECTIONS, CLEANING, OR MAINTENANCE ON A HOT STOVE.**
- **DISCONNECT THE POWER CORD BEFORE PERFORMING ANY MAINTENANCE! NOTE: TURNING THE ON/OFF SWITCH TO "OFF" DOES NOT DISCONNECT ALL POWER TO THE ELECTRICAL COMPONENTS OF THE STOVE.**
- **DO NOT OPERATE STOVE WITH BROKEN GLASS, LEAKAGE OF FLUE GAS MAY RESULT.**

CREOSOTE FORMATION, INSPECTION, & REMOVAL

CAUTION:

THE EXHAUST SYSTEM SHOULD BE CHECKED MONTHLY DURING THE BURNING SEASON FOR ANY BUILD-UP OF SOOT OR CREOSOTE.

When any wood is burned slowly, it produces tar and other organic vapors, which combine with expelled moisture to form creosote. The creosote vapors condense in the relatively cool chimney flue or a newly started fire or from a slow-burning fire. As a result, creosote residue accumulates on the flue lining. When ignited, this creosote makes an extremely hot fire, which may damage the chimney or even destroy the house. Despite their high efficiency, pellet stoves can accumulate creosote under certain conditions. The chimney connector and chimney should be inspected by a qualified person annually or per ton of pellets to determine if a creosote or fly ash build-up has occurred. If creosote has accumulated, it should be removed to reduce the risk of a chimney fire. Inspect the system at the stove connection and at the chimney top. Cooler surfaces tend to build creosote deposits quicker, so it is important to check the chimney from the top as well as from the bottom. The creosote should be removed with a brush specifically designed for the type of chimney in use. A qualified chimney sweep can perform this service. It is also recommended that before each heating season the entire system be professionally inspected, cleaned and, if necessary, repaired. To clean the chimney, disconnect the vent from the stove.

GLASS

We recommend using a high quality glass cleaner. Should a buildup of creosote or carbon accumulate, you may wish to use 000 steel wool and water to clean the glass. DO NOT use abrasive cleaners. DO NOT perform the cleaning while the glass is HOT. Do not attempt to operate the unit with broken glass. Replacement glass may be purchased from your U.S. Stove dealer. If glass is broken, follow these removal procedures:

1. Remove the four (8) screws and glass retainers.
2. While wearing leather gloves (or any other gloves suitable for handling broken glass), carefully remove any loose pieces of glass from the door frame. Dispose of all broken glass properly. ONLY high temperature ceramic glass of the correct size and thickness may be used. DO NOT substitute alternative materials for the glass. Contact your authorized dealer to obtain this glass.
3. Re-install the new glass by re-attaching the retainers and screws, be careful not to over tighten the screws for this could damage the glass.

DO NOT abuse the door glass by striking, slamming, or similar trauma. Do not operate the stove with the glass removed, cracked, or broken.

FLY ASH

This accumulates in the horizontal portion of an exhaust run. Though non-combustible, it may impede the normal exhaust flow. It should therefore be periodically removed.

ASH REMOVAL & DISPOSAL

CAUTION:

ALLOW THE STOVE TO COOL BEFORE PERFORMING ANY MAINTENANCE OR CLEANING. ASHES MUST BE DISPOSED IN A METAL CONTAINER WITH A TIGHT FITTING LID. THE CLOSED CONTAINER OF ASHES SHOULD BE PLACED ON A NON-COMBUSTIBLE SURFACE OR ON THE GROUND, WELL AWAY FROM ALL COMBUSTIBLE MATERIALS, PENDING FINAL DISPOSAL.

Remove the ashes periodically to avoid unnecessary ash build up. Remove ashes when unit has cooled. Ashes should be placed in a metal container with a tight fitting lid. The closed container of ashes should be placed on a noncombustible floor or on the ground, well away from all combustible materials, pending final disposal. If the ashes are disposed of by burial in soil or otherwise locally dispersed, they should be retained in the closed

container until all embers have been thoroughly cooled. The container shall not be used for other trash or waste disposal. If combined with combustible substances, ashes and embers may ignite. Ash removal is as follows:

1. Let the fire burn out and allow the unit to cool to room temperature.
2. Make sure the pellet stove is at room temperature before touching. Open the door, remove the burn pot and empty it into a metal container.
3. Vacuum ashes from the firebox. **BE SURE THAT ASHES ARE COOL TO THE TOUCH BEFORE VACUUMING.** Some vacuum cleaners may leak ash into the room. Your vacuum cleaner should have a special filter or bag to eliminate leakage.
4. Reinstall the burn pot.

SMOKE & CO MONITORS

Burning wood naturally produces smoke and carbon monoxide(CO) emissions. CO is a poisonous gas when exposed to elevated concentrations for extended periods of time. While the modern combustion systems in heaters drastically reduce the amount of CO emitted out the chimney, exposure to the gases in closed or confined areas can be dangerous. Make sure you stove gaskets and chimney joints are in good working order and sealing properly to ensure unintended exposure. It is recommended that you use both smoke and CO monitors in areas having the potential to generate CO.

CHECK & CLEAN THE HOPPER

Check the hopper periodically to determine if there is any sawdust (fines) that is building up in the feed system or pellets that are sticking to the hopper surface. Clean as needed.

DOOR & GLASS GASKETS

Inspect the main door and glass window gaskets periodically. The main door may need to be removed to have frayed, broken, or compacted gaskets replaced by your authorized dealer. This unit's door uses a 3/4" diameter rope gasket.

BLOWER MOTORS

Clean the air holes on the motors of both the exhaust and distribution blowers annually. Remove the exhaust blower from the exhaust duct and clean out the internal fan blades as part of your fall start-up. If you have indoor pets your power motors should be inspected monthly to make sure they are free of animal hair build up. Animal hair build up in blowers can result in poor performance or unforeseen safety hazards.

PAINTED SURFACES

Painted surfaces may be wiped down with a damp cloth. If scratches appear, or you wish to renew your paint, contact your authorized dealer to obtain a can of suitable high-temperature paint.

FALL START UP

Prior to starting the first fire of the heating season, check the outside area around the exhaust and air intake systems for obstructions. Clean and remove any fly ash from the exhaust venting system. Clean any screens on the exhaust system and on the outside air intake pipe. Turn all of the controls on and make sure that they are working properly. This is also a good time to give the entire stove a good cleaning throughout.

SPRING SHUTDOWN

After the last burn in the spring, remove any remaining pellets from the hopper and the auger feed system. Scoop out the pellets and then run the auger until the hopper is empty and pellets stop flowing (this can be done by pressing the "ON" button with the viewing door open). Vacuum out the hopper. Thoroughly clean the burn pot, and firebox. It may be desirable to spray the inside of the cleaned hopper with an aerosol silicone spray if your stove is in a high humidity area. The exhaust system should be thoroughly cleaned.

MAINTENANCE SCHEDULE

Use the following as a guide under average use conditions. Gaskets around door and door glass should be inspected and repaired or replaced when necessary.

| | Daily | Weekly | Monthly or as needed |
|----------------------------|---------|---------|----------------------|
| Burn Pot | Stirred | Empty | |
| Combustion Chamber | | Brushed | |
| Ashes | | Check | Empty |
| Interior Chambers | | | Vacuumed |
| Combustion Blower Blades | | | Vacuumed / Brushed |
| Convection Blower Impeller | | | Vacuumed / Brushed |
| Vent System | | | Cleaned |
| Gaskets | | | Inspected |
| Glass | Wiped | Cleaned | |
| Hopper (end of season) | | | Empty & Vacuumed |



HOW TO ORDER REPAIR PARTS

For Parts Assistance, Call 800-750-2723 ext 5051 or Email: parts@usstove.com , or order at www.myreplacementparts.com

The information in this owner’s manual is specific to your unit. When ordering replacement parts the information in this manual will help to ensure the correct items are ordered. Before contacting customer service write down the model number and the serial number of this unit. That information can be found on the certification label attached to the back of the unit. Other information that may be needed would be the part number and part description of the item(s) in question. Part numbers and descriptions can be found in the “Repair Parts” section of this manual. Once this information has been gathered you can contact customer service by phone 1-800-750-2723 Ext 5051 or Email parts@usstove.com.

| Model Information | |
|-------------------|--|
| Model Number | |
| Serial Number | |

INSTRUCTIONS SPECIFIC FOR CANADIAN INSTALLATIONS

Do not obstruct the space under the heater and do not obstruct the combustion air openings.

Refer to the chimney manufacturer’s instructions for disassembling the chimney/venting for transportation of a transportable building.

The parts or materials to be employed for ember protectors and the minimum areas to be covered and their relation to the space heater, as well as the notice: “In Canada, to comply with CSA B365, Installation Code for Solid-Fuel-Burning Appliances and Equipment, any combustible covering beneath the appliance and/or within the area extending horizontally at least 450 mm (18 in) beyond the appliance on any side equipped with a door, and at least 200 mm (8 in) beyond the appliance on other sides, shall be protected by a continuous, durable,

non-combustible pad that will provide ember protection. The 450 mm (18 in) ember protection required on any side with a door shall extend for the full width of the appliance plus the 200 mm (8 in) required on each side of the appliance without a door. Where an appliance is installed less than 200 mm (8 in) from a wall, the ember pad need only extend to the base of the wall. An ember pad shall not be placed on top of a carpet unless the pad is structurally supported to prevent displacement and distortion.

If this appliance is installed in a transportable building, removal of the chimney/venting is required for transportation of the building.

DO NOT INSTALL IN AN ALCOVE

DO NOT INSTALL IN ANY FIREPLACE

TROUBLESHOOTING GUIDE



When your stove acts out of the ordinary, the first reaction is to call for help. This guide may save time and money by enabling you to solve simple problems yourself. Problems encountered are often the result of only five factors: 1) poor fuel; 2) poor operation or maintenance; 3) poor installation; 4) component failure; 5) factory defect. You can usually solve those problems related to 1 and 2. Customer service can solve problems relating to 3, 4 and 5. Refer to diagrams in the “Repair Parts” section to help locate indicated parts. For the sake of troubleshooting and using this guide to assist you, you should look at your heat level setting to see which light is flashing.

- Disconnect the power cord before performing any maintenance! NOTE: Turning the ON/OFF Switch to “OFF” does not disconnect all power to the electrical components of the stove.
- Never try to repair or replace any part of the stove unless instructions for doing so are given in this manual. All other work should be done by a trained technician.

| | |
|----------------------------------|-------------------------------------|
| Display is Flashing | |
| The low fuel sensor has tripped. | Pellet level is low, refill hopper. |

| | |
|---|--|
| Display “E1” | |
| Possible Causes | Possible Remedies: (Unplug stove first when possible) |
| The stove is consuming too much fuel | Adjust the fuel adjuster slide (see the “How To Adjust The Fuel Adjuster” section of this manual). Close the slide about 1/4” after your stove cools down. Restart your stove. If your display shows E1 again, close the slide another 1/4” and restart. |
| The convection blower is overheating and tripping the internal temperature shutoff. | Clean any dust off of the windings and fan blade. If oiling the blower does not help, the blower may be bad. |
| The stove is being left on the highest setting for extended periods of time. | If operating the heater on the highest heat setting, the room temperature could increase enough and lead to potential overheating situations. If this happens try operating at a lower heat setting. |
| Fuel other than wood pellets is being burned in the stove. | This pellet stove is designed and tested to use wood pellets. Check for signs of fuel other than wood pellets. No other types of fuel have been approved for this pellet stove. If there are signs of other types of fuel being used, stop using them immediately. |
| Power surge or brown out situation. | A power surge, spike, or voltage drop could cause the high limit switch to trip. Check to see if a surge protector is being used on the stove. If not, recommend one to the customer. |
| High Limit Switch is malfunctioning. | If the other items check out OK, replace the high limit switch. |

ATTENTION: THIS WOOD HEATER NEEDS PERIODIC INSPECTION AND REPAIR FOR PROPER OPERATION. IT IS AGAINST FEDERAL REGULATIONS TO OPERATE THIS WOOD HEATER IN A MANNER INCONSISTENT WITH OPERATING INSTRUCTIONS IN THIS MANUAL.

| Display "E2" | |
|--|---|
| Possible Causes | Possible Remedies: (Unplug stove first when possible) |
| Airflow switch hose or stove attachment pipes for hose are blocked. | Unhook air hose from the air switch and blow through it. If air flows freely, the hose and tube are fine. If air will not flow through the hose, use a wire coat hanger to clear the blockage. |
| The air inlet, burnpot, interior combustion air chambers, combustion blower, or exhaust pipe are blocked with ash or foreign material. | Follow all cleaning procedures in the maintenance section of the owner's manual. |
| The firebox is not properly sealed. | Make sure the door is closed and that the gasket is in good shape. |
| Vent pipe is incorrectly installed. | Check to make sure vent pipe installation meets criteria in owner's manual. |
| The airflow switch wire connections are bad. | Check the connectors that attach the gray wires to the air switch. |
| Combustion blower failure. | With the stove on, check to see if the combustion blower is running. If it is not, you will need to check for power going to the combustion blower. It should be a full current. If there is power, the blower is bad. If there is not, make sure the control board is sending power to the air switch. |
| Control board not sending power to combustion blower. | If there is no current going to the combustion blower, check all wire connections. If all wires are properly connected, you have a bad control board. |
| Control board not sending power to air switch. | There should be a 5-volt current (approximately) going to the air switch after the stove has been on for 30 seconds. |
| Air switch has failed. | To test the air switch, you will need to disconnect the air hose from the body of the stove. With the other end still attached to the air switch, very gently suck on the loose end of the hose (you may want to remove the hose entirely off the stove and the air switch first and make sure it is clear). If you hear a click, the air switch is working. BE CAREFUL TOO MUCH VACUUM CAN DAMAGE THE AIR SWITCH. |

TROUBLESHOOTING GUIDE



| Display "E3" | |
|---|---|
| Possible Causes | Possible Remedies: (Unplug stove first when possible) |
| The hopper is out of pellets | Refill the hopper. |
| The air dampener is too far open for a low feed setting | If on the low setting, you may need to close the dampener all the way. |
| The burnpot holes are blocked. | Remove the burnpot and thoroughly clean it. |
| The air inlet, the interior chambers, or exhaust system has a partial blockage. | Follow all cleaning procedures in the maintenance section of the owner's manual |
| The hopper safety switch has failed or hopper is open. | When operating the unit, be sure the hopper lid is closed so that the hopper safety switch will activate. Check the wires leading from the hopper safety switch to the control panel and auger motor for secure connections. Use a continuity tester to test the hopper safety switch; replace if necessary. |
| The auger shaft is jammed. | "Start by emptying the hopper. Then remove the auger motor by removing the auger pin, then remove the two bolts that hold the auger bracket to the auger tube. The auger bracket will now be able to be removed from the auger tube. Remove the two bolts on the side of the auger tube to remove the lower bearing of the auger. Pull the auger out of the tube to free the jam. |
| The auger motor has failed. | Remove the auger motor from the auger shaft and try to run the unit. If the motor will turn the shaft is jammed on something. If the motor will not turn, the motor is bad. |
| The Proof of Fire (POF) thermdisc has malfunctioned. | Temporarily bypass the POF thermdisc by disconnecting the two wires and connecting them with a short piece of wire. Then plug the stove back up. If the stove comes on and works, you need to replace the POF thermdisc. This is for testing only. DO NOT LEAVE THE THERMODISC BYPASSED. Your blowers will never shut off and if the fire went out the auger will continue to feed pellets until the hopper is empty if you leave the POF thermdisc bypassed. |
| The control board is not sending power to the POF thermdisc or other auger system components. | There should be a 5-volt (approximately) current going to the POF thermdisc after the stove has been on for 10 minutes. |

| | |
|--|--|
| Display "E4" | |
| Possible Causes | Possible Remedies: (Unplug stove first when possible) |
| The air inlet, burnpot, interior combustion air chambers, combustion blower, or exhaust pipe are blocked with ash or foreign material. | Follow all cleaning procedures in the maintenance section of the owner's manual. |
| The Proof of Fire (POF) thermodisc has come unplugged | Check the (POF) thermodisc to see if the wires are connected properly. |
| The Proof of Fire (POF) thermodisc has malfunctioned. | Temporarily bypass the POF thermodisc by disconnecting the two wires and connecting them with a short piece of wire. Then plug the stove back up. If the stove comes on and works, you need to replace the POF thermodisc. This is for testing only. DO NOT LEAVE THE THERMODISC BYPASSED. Your blowers will never shut off and if the fire went out the auger will continue to feed pellets until the hopper is empty if you leave the POF thermodisc bypassed. |
| The hopper is out of Pellets. | Refill the hopper. |
| The hopper safety switch has failed or hopper is open. | When operating the unit, be sure the hopper lid is closed so that the hopper safety switch will activate. Check the wires leading from the hopper safety switch to the control panel and auger motor for secure connections. Use a continuity tester to test the hopper safety switch; replace if necessary. |
| The auger shaft is jammed. | Start by emptying the hopper. Then remove the auger motor by removing the auger pin. Remove the auger shaft inspection plate in the hopper so that you can see the auger shaft. Gently lift the auger shaft straight up so that the end of the auger shaft comes up out of the bottom auger bushing. Next, remove the two nuts that hold the top auger biscuit in. Then rotate the bottom end of the auger shaft up towards you until you can lift the shaft out of the stove. After you have removed the shaft, inspect it for bent flights, burrs, or broken welds. Remove any foreign material that might have caused the jam. Also, check the auger tube for signs of damage such as burrs, rough spots, or grooves cut into the metal that could have caused a jam. |
| The auger motor has failed. | Remove the auger motor from the auger shaft and try to run the unit. If the motor will turn the shaft is jammed on something. If the motor will not turn, the motor is bad. |

TROUBLESHOOTING GUIDE



| Stove Feeds Pellets, But Will Not Ignite | |
|--|---|
| Possible Causes | Possible Remedies: (Unplug stove first when possible) |
| Air damper open too far for ignition. | In some situations it may be necessary to have the damper completely closed for ignition to take place. After there is a flame, the damper can then be adjusted for the desired feed setting. |
| Blockage in igniter tube or inlet for igniter tube. | Find the igniter housing on the backside of the firewall. The air intake hole is a small hole located on bottom side of the housing. Make sure it is clear. Also, look from the front of the stove to make sure there is not any debris around the igniter element inside of the igniter housing. |
| The burnpot is not pushed completely to the rear of the firebox. | Make sure that the air intake collar on the burnpot is touching the rear wall of the firebox. |
| Bad igniter element. | Put power directly to the igniter element. Watch the tip of the igniter from the front of the stove. After about 2 minutes the tip should glow. If it does not, the element is bad. |
| The control board is not sending power to the igniter. | Check the voltage going to the igniter during startup. It should be a full current. If the voltage is lower than full current, check the wiring. If the wiring checks out good, the board is bad. |

| Smoke Smell Coming Back Into The Home | |
|---|--|
| Possible Causes | Possible Remedies: (Unplug stove first when possible) |
| There is a leak in the vent pipe system. | Inspect all vent pipe connections. Make sure they are sealed with RTV silicone that has a temperature rating on 500 degree F or higher. Also, seal joints with UL-181-AP foil tape. Also, make sure the square to round adapter piece on the combustion blower has been properly sealed with the same RTV. |
| The gasket on the combustion blower has gone bad. | Inspect both gaskets on the combustion blower to make sure they are in good shape. |
| Because it is a wood-burning device, your pellet heater may emit a faint wood-burning odor. If this increases beyond normal, or if you notice an unusual soot build-up on walls or furniture, check your exhaust system carefully for leaks. All joints should be properly sealed. Also clean your stove, following instructions in "MAINTENANCE". If problem persists, contact customer service. | |

| Convection Blower Shuts Off And Comes Back On | |
|---|--|
| Possible Causes | Possible Remedies: (Unplug stove first when possible) |
| The convection blower is overheating and tripping the internal temperature shutoff. | Clean any dust off of the windings and fan blades. If cleaning the blower does not help, the blower may be bad. |
| Circuit board malfunction. | Test the current going to the convection blower. If there is power being sent to the blower when it is shut off, then the control board is fine. If there is NOT power being sent to the blower when it shuts off during operation, then you have a bad control board. |

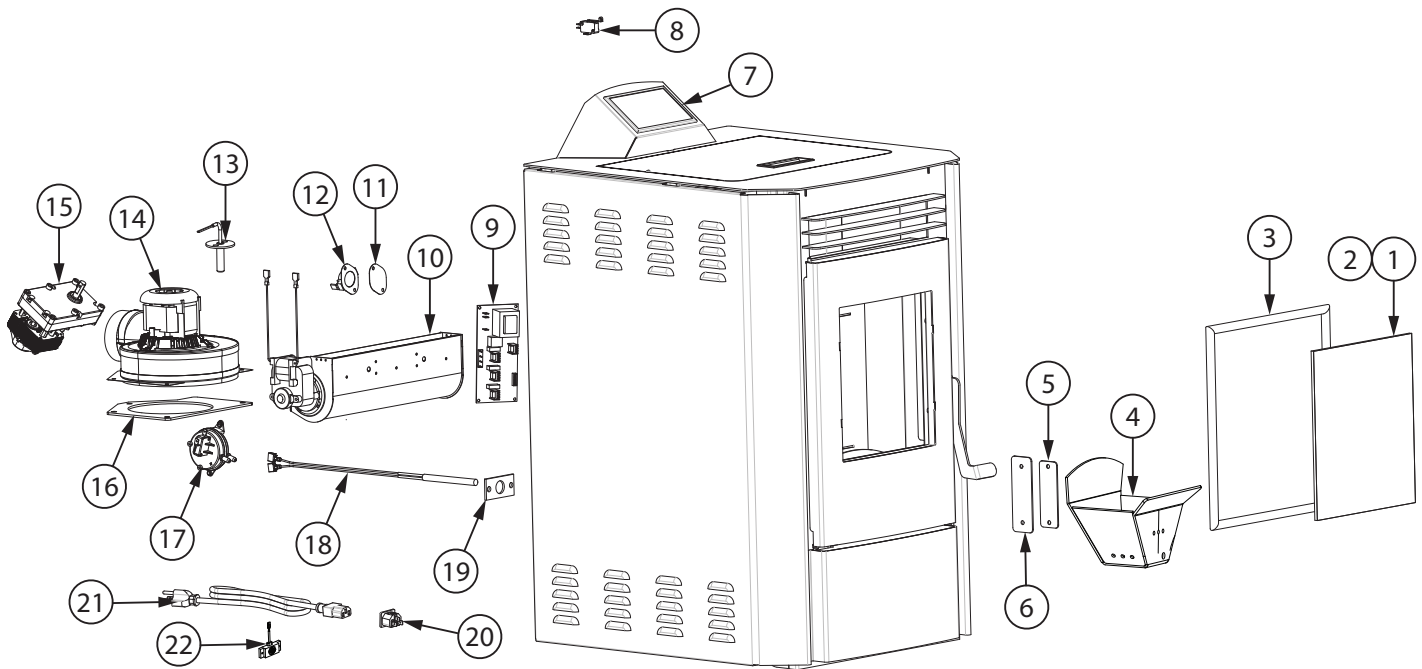
| Stove Will Not Feed Pellets, But Fuel Feed Light Comes On As Designed | |
|---|--|
| Possible Causes | Possible Remedies: (Unplug stove first when possible) |
| High limit switch has tripped or is defective. | Wait for the stove to cool for about 30 - 45 minutes. Locate the High Limit thermodisc and press the reset button on the back of it. If the heater will not restart, check the thermodisc to see if it's bad. To test if the thermodisc is bad, you can bypass it as described previously for the POF thermodisc. |
| Bad Auger Motor. | Remove the auger motor from the auger shaft and try to run the unit. If the motor will turn the shaft is jammed on something. If the motor will not turn, the motor is bad. |
| Auger Jam | Start by emptying the hopper. Then remove the auger motor by removing the auger pin. Remove the auger shaft inspection plate in the hopper so that you can see the auger shaft. Gently lift the auger shaft straight up so that the end of the auger shaft comes up out of the bottom auger bushing. Next, remove the two nuts that hold the top auger biscuit in. Then rotate the bottom end of the auger shaft up towards you until you can lift the shaft out of the stove. After you have removed the shaft, inspect it for bent flights, burrs, or broken welds. Remove any foreign material that might have caused the jam. Also, check the auger tube for signs of damage such as burrs, rough spots, or grooves cut into the metal that could have caused a jam. |
| Loose wire or connector. | Check all wires and connectors that connector to the auger motor, high limit switch, and the Molex connector. |
| Bad control board. | If the fuse is good, the wires and connectors check out good, and the high limit switch did not trip, test for power going to the auger motor. If there is not a full current going to the auger motor when the fuel feed light is on, you have a bad control board. |

| High Limit Switch Keeps Tripping | |
|---|--|
| Possible Causes | Possible Remedies: (Unplug stove first when possible) |
| The convection blower is overheating and tripping the internal temperature shutoff. | Clean any dust off of the windings and fan blades. If oiling the blower does not help, the blower may be bad. |
| The stove is being left on the highest setting for extended periods of time. | If operating the heater on the highest heat setting, the room temperature could increase enough and lead to potential overheating situations. If this happens, try operating at a lower heat setting. |
| Fuel other than wood pellets is being burned in the stove. | This pellet stove is designed and tested to use wood pellets. Check for signs of fuel other than wood pellets. No other types of fuel have been approved for this pellet stove. If there are signs of other types of fuel being used, stop using them immediately. |
| Power surge or brown out situation. | A power surge, spike, or voltage drop could cause the high limit switch to trip. Check to see if a surge protector is being used on the stove. If not, recommend one to the consumer. |
| High limit switch is malfunctioning. | If the other items check out okay, replace the high limit switch. |

TROUBLESHOOTING GUIDE



| | |
|---|--|
| <p>Glass “Soot’s” Up At A Very Fast Rate Flame Is Lazy, Dark, And Has Black Tips After Stove Has Been On For A While, The Burnpot Overfills</p> | |
| Possible Causes | Possible Remedies: (Unplug stove first when possible) |
| Stove or vent pipe is dirty, which restricts airflow through the burnpot. | Follow all cleaning procedure in the maintenance section of the owner’s manual. |
| Vent pipe installed improperly. | Check to make sure the vent pipe has been installed according to the criteria in the owner’s manual. |
| Burnpot holes are blocked. | Remove the burnpot and thoroughly clean it. |
| Blockage in air intake pipe. | Visually inspect the air intake pipe that leads into the burnpot for foreign material. |
| Combustion blower is not spinning fast enough. | Test the RPM on the blower after the blades have been cleaned. The RPM should be approximately 3000 RPM. |
| Bad Pellets. (Applies to GLASS “SOOT’S” UP AT A VERY FAST RATE Only) | The brand of pellets or the batch of pellets that are being used may be of poor quality. If possible, try a different brand of pellets. You might also want to try a brand that is made from a different type of wood (softwood vs. hardwood). Different woods have different characteristics when being burned. |



| Key | Part # | Description | Qty |
|-----|--------|------------------------|-----|
| 1 | 892667 | Door Glass | 1 |
| 2 | 88087 | Glass Gasket | 38" |
| 3 | 88066 | 3/4" Round Rope Gasket | 46" |
| 4 | 893629 | Burnpot | 1 |
| 5 | 892668 | Ash Clean-Out Cover | 2 |
| 6 | 88258 | Clean-Out Cover Gasket | 2 |
| 7 | 80912 | WiFi PCBA | 1 |
| 8 | 80491 | Microswitch | 1 |
| 9 | 80631 | PCBA, Main | 1 |
| 10 | 80709 | Room Blower | 1 |
| 11 | 88347 | Gasket | 2 |
| 12 | 80455 | High Temp Snapdisc Air | 1 |
| 13 | 80915 | RTD Temperature Probe | 1 |
| 14 | 80872 | Exhaust Blower | 1 |

| Key | Part # | Description | Qty |
|-----|--------|-------------------------------|-----|
| 15 | 80871 | Drive Motor (3.8 RPM) | 1 |
| 16 | 88166 | Gasket, Exhaust Blower | 1 |
| 17 | 80549 | Vacuum Switch | 1 |
| 18 | 80869 | Ceramic Ignitor | 1 |
| 19 | 88118 | Ignitor Flange Gasket | 1 |
| 20 | 80917 | Power Receptacle W/EMC Filter | 1 |
| | 80462 | Power Receptacle | 1 |
| 21 | 80461 | Power Supply Cord | 1 |
| 22 | 80938 | Sensor, Hopper Fuel Level | 1 |

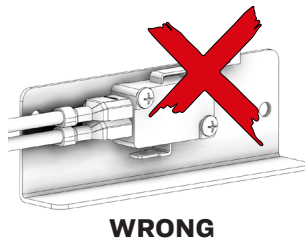
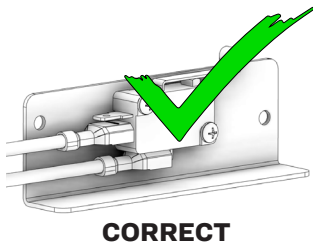
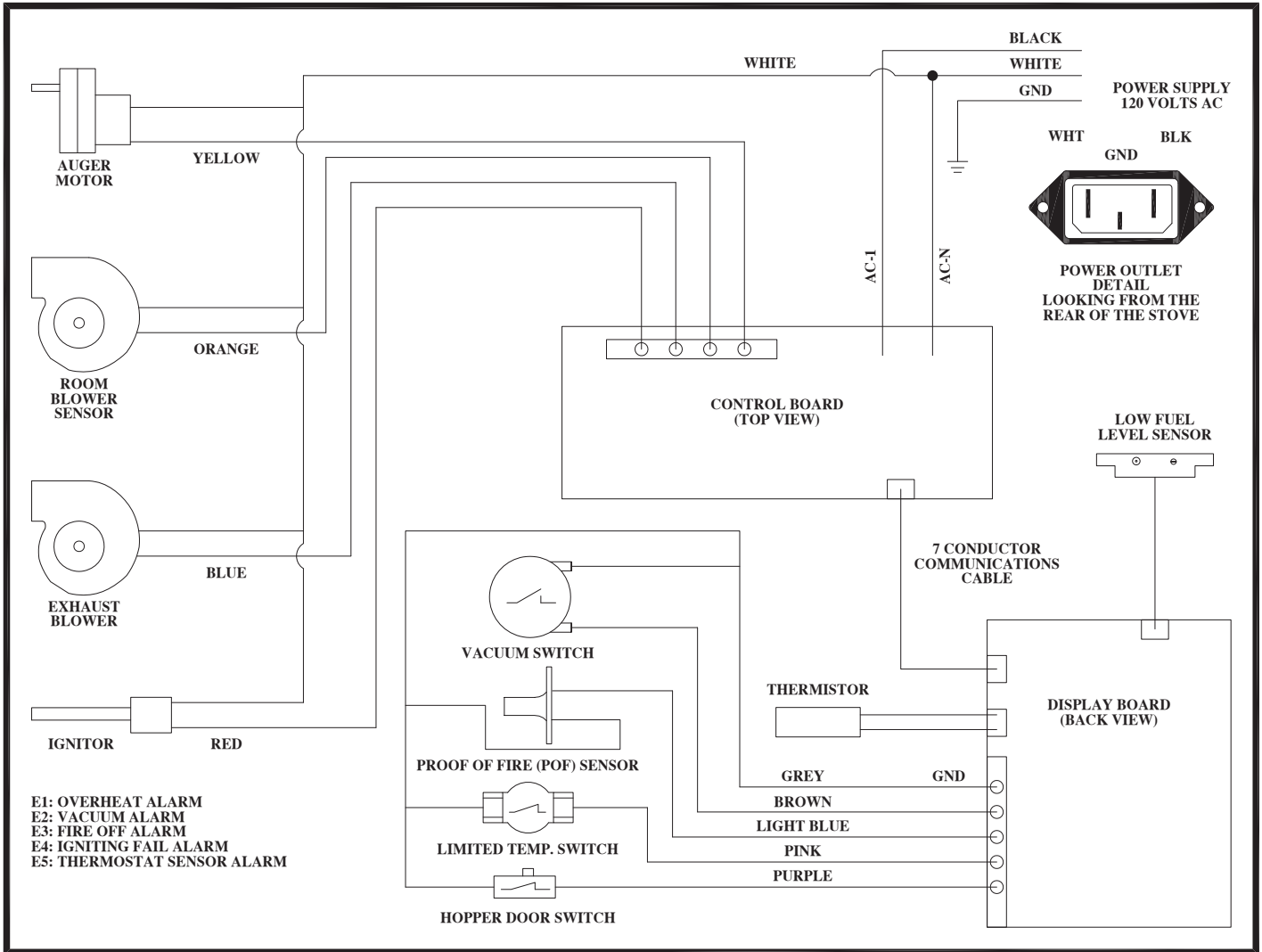
To order parts:

Call 1-800-750-2723 Ext 5051 or

Email to: parts@usstove.com

IN ORDER TO MAINTAIN WARRANTY, COMPONENTS MUST BE REPLACED USING ORIGINAL MANUFACTURERS PARTS PURCHASED THROUGH YOUR DEALER OR DIRECTLY FROM THE APPLIANCE MANUFACTURER. USE OF THIRD PARTY COMPONENTS WILL VOID THE WARRANTY.

WIRING DIAGRAM



ENSURE THE WIRES ARE CONNECTED TO THE BOTTOM TWO PRONGS OF THE HOPPER SWITCH AS SHOWN.



SERVICE RECORD

It is recommended that your heating system is serviced regularly and that the appropriate Service Interval Record is completed.

SERVICE PROVIDER

Before completing the appropriate Service Record below, please ensure you have carried out the service as described in the manufacturer's instructions. Always use the manufacturer's specified spare part when replacement is necessary.

Service 01 Date: _____

Engineer Name: _____

License No.: _____

Company: _____

Telephone No.: _____

Stove Inspected: Chimney Swept:

Items Replaced: _____

Service 02 Date: _____

Engineer Name: _____

License No.: _____

Company: _____

Telephone No.: _____

Stove Inspected: Chimney Swept:

Items Replaced: _____

Service 03 Date: _____

Engineer Name: _____

License No.: _____

Company: _____

Telephone No.: _____

Stove Inspected: Chimney Swept:

Items Replaced: _____

Service 04 Date: _____

Engineer Name: _____

License No.: _____

Company: _____

Telephone No.: _____

Stove Inspected: Chimney Swept:

Items Replaced: _____

Service 05 Date: _____

Engineer Name: _____

License No.: _____

Company: _____

Telephone No.: _____

Stove Inspected: Chimney Swept:

Items Replaced: _____

Service 06 Date: _____

Engineer Name: _____

License No.: _____

Company: _____

Telephone No.: _____

Stove Inspected: Chimney Swept:

Items Replaced: _____

Service 07 Date: _____

Engineer Name: _____

License No.: _____

Company: _____

Telephone No.: _____

Stove Inspected: Chimney Swept:

Items Replaced: _____

Service 08 Date: _____

Engineer Name: _____

License No.: _____

Company: _____

Telephone No.: _____

Stove Inspected: Chimney Swept:

Items Replaced: _____

Il est recommandé que votre système de chauffage est desservi régulièrement et que le Service Intervall enregistré approprié est terminée.

FURNISSEUR DE SERVICES

Avant de terminer l'enregistrement de service approprié ci-dessous, s'il vous plaît vous assurer que vous avez effectué le service tel que décrit dans le les instructions du fabricant. Toujours utiliser pièce de rechange indiquée par le fabricant lors de remplacement est nécessaire.

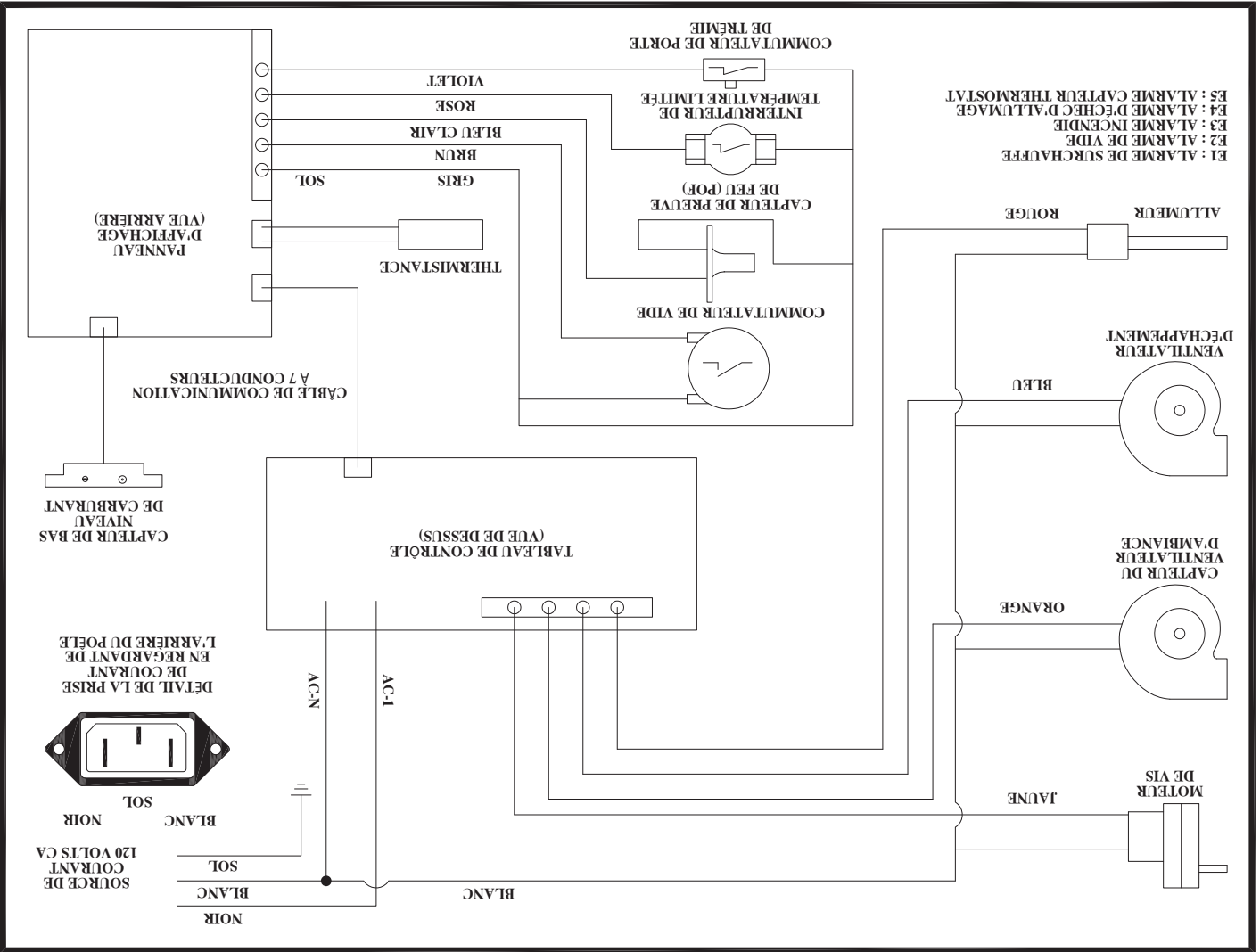
| | |
|--|--|
| <p>Service de 01</p> <p>Date: _____</p> <p>Nom de l'ingénieur: _____</p> <p>N° de licence: _____</p> <p>Compagnie: _____</p> <p>N° de téléphone: _____</p> <p>Poêle Inspecté: <input type="checkbox"/> Cheminée balayée: <input type="checkbox"/></p> <p>Articles Remplacé: _____</p> | <p>Service de 02</p> <p>Date: _____</p> <p>Nom de l'ingénieur: _____</p> <p>N° de licence: _____</p> <p>Compagnie: _____</p> <p>N° de téléphone: _____</p> <p>Poêle Inspecté: <input type="checkbox"/> Cheminée balayée: <input type="checkbox"/></p> <p>Articles Remplacé: _____</p> |
|--|--|

| | |
|--|--|
| <p>Service de 03</p> <p>Date: _____</p> <p>Nom de l'ingénieur: _____</p> <p>N° de licence: _____</p> <p>Compagnie: _____</p> <p>N° de téléphone: _____</p> <p>Poêle Inspecté: <input type="checkbox"/> Cheminée balayée: <input type="checkbox"/></p> <p>Articles Remplacé: _____</p> | <p>Service de 04</p> <p>Date: _____</p> <p>Nom de l'ingénieur: _____</p> <p>N° de licence: _____</p> <p>Compagnie: _____</p> <p>N° de téléphone: _____</p> <p>Poêle Inspecté: <input type="checkbox"/> Cheminée balayée: <input type="checkbox"/></p> <p>Articles Remplacé: _____</p> |
|--|--|

| | |
|--|--|
| <p>Service de 05</p> <p>Date: _____</p> <p>Nom de l'ingénieur: _____</p> <p>N° de licence: _____</p> <p>Compagnie: _____</p> <p>N° de téléphone: _____</p> <p>Poêle Inspecté: <input type="checkbox"/> Cheminée balayée: <input type="checkbox"/></p> <p>Articles Remplacé: _____</p> | <p>Service de 06</p> <p>Date: _____</p> <p>Nom de l'ingénieur: _____</p> <p>N° de licence: _____</p> <p>Compagnie: _____</p> <p>N° de téléphone: _____</p> <p>Poêle Inspecté: <input type="checkbox"/> Cheminée balayée: <input type="checkbox"/></p> <p>Articles Remplacé: _____</p> |
|--|--|

| | |
|--|--|
| <p>Service de 07</p> <p>Date: _____</p> <p>Nom de l'ingénieur: _____</p> <p>N° de licence: _____</p> <p>Compagnie: _____</p> <p>N° de téléphone: _____</p> <p>Poêle Inspecté: <input type="checkbox"/> Cheminée balayée: <input type="checkbox"/></p> <p>Articles Remplacé: _____</p> | <p>Service de 08</p> <p>Date: _____</p> <p>Nom de l'ingénieur: _____</p> <p>N° de licence: _____</p> <p>Compagnie: _____</p> <p>N° de téléphone: _____</p> <p>Poêle Inspecté: <input type="checkbox"/> Cheminée balayée: <input type="checkbox"/></p> <p>Articles Remplacé: _____</p> |
|--|--|

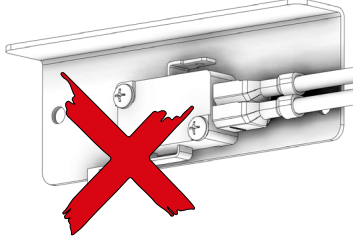
SCHEMA DE CÂBLAGE



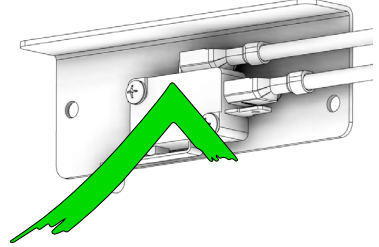
E1 : ALARME DE SURCHAUFFE
 E2 : ALARME DE VIDE
 E3 : ALARME INCENDIE
 E4 : ALARME D'EGEC D'ALLUMAGE
 E5 : ALARME CAPTEUR THERMOSTAT

ASSUREZ-VOUS QUE LES FILS SONT
 CONNECTÉS AUX DEUX BROCHES
 INFÉRIEURES DE L'INTERRUPTEUR
 DE LA TRÉMIE, COMME ILLUSTRÉ.

FAUX



CORRECT

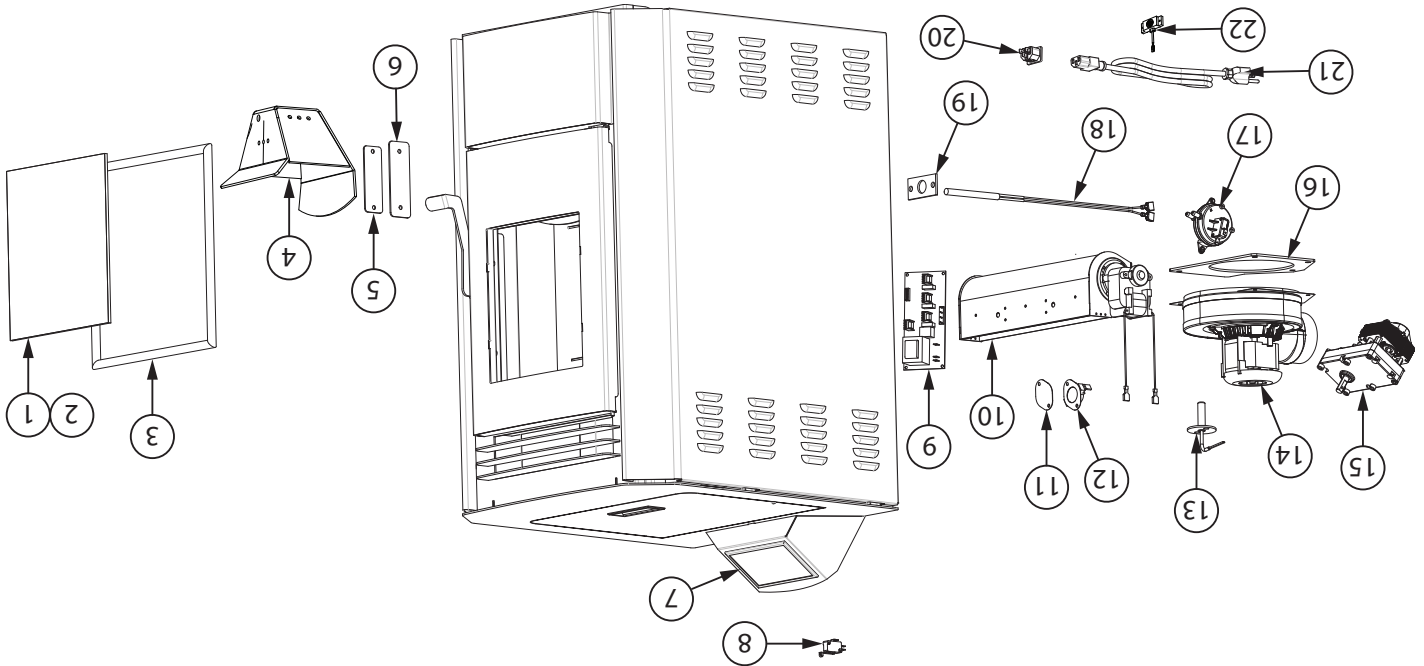


AFIN DE MAINTENIR LA GARANTIE, LES COMPOSANTS DOIVENT ÊTRE REMPLACÉS À L'AIDE DE PIÈCES D'ORIGINE DU FABRICANT ACHETÉES PAR VOTRE REVENDEUR OU DIRECTEMENT AUPRÈS DU FABRICANT DE L'APPAREIL. L'UTILISATION DE COMPOSANTS TIERS ANNULERA LA GARANTIE.

| Clé | Partie | La description | Qté |
|-----|--------|------------------------------------|-------|
| 1 | 892667 | Verre de porte | 1 |
| 2 | 88087 | Joint de verre | 38 po |
| 3 | 88066 | Joint de corde rond 3/4" | 46 po |
| 4 | 893629 | Pot à combustion | 1 |
| 5 | 892668 | Couvercle de nettoyage des cendres | 2 |
| 6 | 88258 | Joint de couvercle de nettoyage | 2 |
| 7 | 80912 | Circuit imprimé Wi-Fi | 1 |
| 8 | 80491 | Micro-interrupteur | 1 |
| 9 | 80631 | PCBA, principal | 1 |
| 10 | 80709 | Ventilateur de chambre | 1 |
| 11 | 88347 | Joint | 2 |
| 12 | 80455 | Air Snaddisc haute température | 1 |
| 13 | 80915 | Sonde de température RTD | 1 |
| 14 | 80872 | Ventilateur d'échappement | 1 |

Pour commander des pièces:
 Appelez le 1-800-750-2723 Ext 5051 ou
 Envoyez un courriel à: parts@usstove.com

| Clé | Partie | La description | Qté |
|-----|--------|---|-----|
| 15 | 80871 | Moteur d'entraînement (3,8 tr/min) | 1 |
| 16 | 88166 | Joint, ventilateur d'échappement | 1 |
| 17 | 80549 | Vacuostat | 1 |
| 18 | 80869 | Allumeur en céramique | 1 |
| 19 | 88118 | Joint de bride d'allumeur | 1 |
| 20 | 80917 | Prise de courant avec filtre CEM | 1 |
| | 80462 | Prise de courant | 1 |
| 21 | 80461 | Cordon d'alimentation | 1 |
| 22 | 80938 | Capteur, niveau de carburant dans la trémie | 1 |



| | |
|--|---|
| L'interrupteur de surchauffe se déclenche tout le temps | |
| Causes possibles | Solutions possibles: (Débranchez le poêle avant toute chose quand c'est possible.) |
| Le ventilateur de convection surchauffe et déclenche l'arrêt de température interne. | Enlevez la poussière des bobinages et pales de ventilateur. Si le graissage du ventilateur ne suffit pas, il se peut que le ventilateur soit défectueux. |
| Le poêle est resté sur le réglage le plus élevé pendant de longues périodes. | En cas d'utilisation du poêle sur le réglage de chauffage le plus élevé, il se peut que la température de la pièce s'élève au point de créer une situation de surchauffe potentielle. Dans ce cas, essayez d'utiliser un réglage de chauffage inférieur. |
| Un autre combustible que les granulés de bois est brûlé dans le poêle. | Ce poêle à granulés a été conçu et testé pour brûler des granulés de bois. Recherchez la présence de combustibles autre que des granulés de bois. Aucun autre type de combustible n'a été approuvé pour ce poêle à granulés. En présence de signes d'utilisation d'autres types de combustible, cessez immédiatement de les utiliser. |
| Sur tension ou baisse de tension. | Une surtension, un pic ou une chute de tension peut provoquer le déclenchement du l'interrupteur de surchauffe. Vérifiez si une protection contre les surtensions est installée sur le poêle. Sinon, il est conseillé d'en installer une. |
| L'interrupteur de surchauffe fonctionne mal. | Si tous les autres éléments paraissent corrects, remplacez l'interrupteur de surchauffe. |

| | |
|--|---|
| LA VITRE NOIRCIT TRÈS RAPIDEMENT LA FLAMME EST MOLE, FONCÉE ET SES POINTES SONT NOIRES APRÈS UN CERTAIN TEMPS D'UTILISATION DU POÊLE, LE POT DE COMBUSTION DÉBORDE | |
| Causes possibles | Solutions possibles: (Débranchez le poêle avant toute chose quand c'est possible.) |
| Le poêle ou le tuyau de ventilation est sale, ce qui limite la circulation de l'air dans le pot de combustion. | Suivez toutes les procédures de nettoyage dans la section d'entretien du manuel du propriétaire. |
| Tuyau de ventilation mal installé. | Assurez-vous que le tuyau de ventilation a été installé selon les critères du manuel du propriétaire. |
| Les trous du pot de combustion sont bouchés. | Retirez le pot de combustion et nettoyez-le soigneusement. |
| Blocage dans le tuyau d'admission d'air. | Inspectez visuellement le tuyau d'admission d'air qui mène au pot de combustion à la recherche de corps étrangers. |
| Le ventilateur de combustion ne tourne pas assez vite. | Testez le RPM sur le ventilateur après que les lames ont été nettoyées. Le RPM doit être d'environ 3000 RPM. |
| Mauvaises pastilles. (S'applique uniquement au VERRE "SOOT'S" À UN TAUX TRÈS RAPIDE | La marque de granulés ou le lot de granulés utilisés peut être de mauvaise qualité. Si possible, essayez une autre marque de pellets. Vous pouvez également essayer une marque fabriquée à partir d'un type de bois différent (bois tendre ou bois dur). Différents bois ont des caractéristiques différentes lorsqu'ils sont brûlés. |

| | |
|--|--|
| LE VENTILATEUR DE CONVECTION S'ARRÊTE PUIS REDÉMARRÉ | |
| Causes possibles | Solutions possibles: (Débranchez le poêle avant toute chose quand c'est possible.) |
| Le ventilateur de convection surchauffe et déclenche l'arrêt de température interne. | Enlevez la poussière des bobinages et pales de ventilateur. Si le nettoyage du ventilateur ne suffit pas, il se peut que le ventilateur soit défectueux. |
| Dysfonctionnement de la carte de circuit imprimé. | Testez la tension arrivant au ventilateur de convection. Si le courant arrive au ventilateur quand il est arrêté, le tableau de commande fonctionne normalement. Si aucun courant n'arrive au ventilateur quand il est arrêté pendant le fonctionnement du poêle, le tableau de commande est défectueux. |

LE POÊLE N'EST PAS ALIMENTÉ EN GRANULÉS, MAIS LE TÊMOIN D'ALIMENTATION EN COMBUSTIBLE S'ALLUME COMME PRÉVU

| | |
|---|--|
| Causes possibles | Solutions possibles: (Débranchez le poêle avant toute chose quand c'est possible.) |
| L'interrupteur de surchauffe s'est déclenché ou est défectueux. | Attendez que le poêle refroidisse pendant environ 30 à 45 minutes. Localisez le thermostatique de surchauffe et appuyez sur le bouton de réinitialisation situé à l'arrière de celui-ci. Si le poêle ne redémarre pas, vérifiez que le thermostatique ne soit pas défectueux. Pour tester si le thermostatique est défectueux, vous pouvez le contourner comme décrit précédemment pour le thermostatique POF. |
| Moteur de tarrière défectueux. | Retirez le moteur de l'arbre de la tarrière et essayez de le faire fonctionner. Si le moteur tourne, c'est l'arbre qui est coincé sur quelque chose. Si le moteur ne tourne pas, il est défectueux. |
| Tarrière bloquée. | Commencez par vider la trémie. Puis retirez le moteur de la tarrière en retirant la goupille de la tarrière. Retirez la plaque d'inspection de l'arbre de la tarrière dans la trémie pour pouvoir examiner l'arbre de la tarrière. Soulevez légèrement l'arbre de la tarrière de sorte que l'extrémité de l'arbre sorte du manchon inférieur de tarrière. Retirez ensuite les deux écrous qui tiennent la pastille supérieure de la tarrière. Puis faites pivoter l'extrémité inférieure de l'arbre de la tarrière vers vous, jusqu'à ce que vous puissiez soulever l'arbre et le sortir du poêle. Après avoir sorti l'arbre, recherchez des pales déformées, des bavures ou des soudures cassées. Retirez tout corps étranger susceptible d'avoir provoqué le blocage. Vérifiez également le tube de la tarrière, en recherchant des signes de dommage, tels que des bavures, des zones rugueuses, ou des rainures creusées dans le métal qui pourraient être à l'origine du blocage. |
| Fil débranché ou connecteur desserré. | Vérifiez tous les fils et connecteurs branchés sur le moteur de tarrière, l'interrupteur de surchauffe et le connecteur Molex. |
| Tableau de commande défectueux. | Si le fusible est bon, les fils et connecteurs bien raccordés, et que l'interrupteur de surchauffe ne s'est pas déclenché, testez la tension qui arrive au moteur de tarrière. En l'absence de tension nominale arrivant au moteur de tarrière lorsque le témoin d'alimentation en combustible est allumé, c'est le tableau de commande qui est défectueux. |

| | |
|---|--|
| <p>LE POÊLE EST BIEN ALIMENTÉ EN GRANULÉS, MAIS NE S'ALLUME PAS</p> | |
| Causes possibles | Solutions possibles: (Débranchez le poêle avant toute chose quand c'est possible.) |
| Le registre de tirage est trop ouvert pour l'allumage. | Poussez le registre de tirage plus près du côté du poêle pour le démarrage. Dans certaines situations, il peut être nécessaire de fermer complètement le registre pour permettre l'allumage. Après l'apparition d'une flamme, le registre peut être réglé en fonction du réglage d'alimentation souhaité. |
| Le tube d'allumeur ou l'entrée d'air du tube d'allumeur est obstruée. | Localisez le bûcher de l'allumeur à l'arrière du pare-feu. L'orifice d'entrée d'air est un petit trou situé sur le côté, en bas du bûcher. Vérifiez qu'il soit dégagé. Regardez aussi depuis l'avant du poêle pour vérifier l'absence de tout débris autour de l'élément d'allumage à l'intérieur du bûcher de l'allumeur. |
| Le pot de combustion n'est pas poussé à fond vers l'arrière du foyer. | Vérifiez que le collet de prise d'air du pot de combustion touche la paroi arrière du foyer. |
| Élément allumeur défectueux. | Envoyez directement le courant à l'allumeur. Observez l'extrémité de l'allumeur, depuis l'avant du poêle. Au bout de 2 minutes, cette extrémité doit rougeoier. Sinon, c'est que l'élément est défectueux. |
| L'allumeur. | Vérifiez la tension qui arrive à l'allumeur lors du démarrage. Ce doit être la tension nominale. Si la tension est inférieure à la valeur nominale, vérifiez le câblage. Si le câblage est bon, c'est le tableau qui est défectueux. |

| | |
|---|---|
| <p>UNE ODEUR DE FUMÉE EST REFOULÉE DANS LA PIÈCE</p> | |
| Causes possibles | Solutions possibles: (Débranchez le poêle avant toute chose quand c'est possible.) |
| Il y a une fuite dans le système de conduit d'évacuation. | Inspectez tous les raccords de tuyaux d'évacuation. Assurez-vous qu'ils soient tous scellés avec du silicone RTV supportant une température de 500 °F (260 °C) ou plus. En outre, scellez les joints avec du ruban métallique UL-181-AP. Vérifiez également que la pièce d'adaptation carré/cercle du ventilateur de combustion ait été correctement scellée avec le même silicone RTV. |
| Le joint d'étanchéité du ventilateur de combustion est défectueux. | Inspectez les deux joints du ventilateur de combustion qui doivent être en bon état. |
| <p>S'agissant d'un appareil qui brûle du bois, ce poêle à granulés peut émettre une faible odeur de feu de bois. Si cette odeur devient anormale, ou si vous remarquez qu'un peu de suie s'accumule sur les murs ou les meubles, vérifiez soigneusement le système d'évacuation des fumées en recherchant des fuites. Tous les joints doivent être correctement scellés. Nettoyez également le poêle en suivant les instructions de la section « Entretien ». Si le problème persiste, prenez contact avec votre revendeur.</p> | |

| | |
|---|---|
| L'écran affiche « E4 » | |
| Causes possibles | L'entrée d'air, le pot de combustion, les chambres de combustion internes, les ventilateurs de combustion ou le conduit d'évacuation sont bouchés par des cendres ou des corps étrangers. |
| Solutions possibles: (Débranchez le poêle avant toute chose quand c'est possible.) | Vérifiez si les fils du thermostatique POF sont correctement branchés. |
| Le thermostatique de détection de feu (POF) a mal fonctionné. | Contournez temporairement le thermostatique POF en débranchant les deux fils et en les raccordant avec un petit morceau de fil. Puis rebranchez le poêle. Si le poêle s'allume et fonctionne, vous devez remplacer le thermostatique POF. Cette manœuvre est réservée aux tests. NE LAISSEZ PAS LE THERMODYNAMIQUE HORS CIRCUIT. Si le thermostatique POF restait hors circuit, les ventilateurs ne s'arrêteraient jamais et si le feu s'éteignait, la tarrière continuerait à envoyer les granulés jusqu'à ce que la trémie soit vide. |
| La trémie est vide de granulés. | Remplissez la trémie. |
| L'interrupteur de sécurité de la trémie est affecté d'une défaillance ou la trémie est ouverte. | Lors de l'utilisation de l'appareil, vérifiez que le couvercle de la trémie soit fermé pour permettre à l'interrupteur de sécurité de la trémie de s'activer. Vérifiez le branchement des fils qui partent de l'interrupteur de sécurité de la trémie jusqu'au tableau de commande et au moteur de la trémie. Utilisez un testeur de continuité pour tester l'interrupteur de sécurité de la trémie; remplacez-le si nécessaire. |
| L'arbre de la tarrière est coincé. | Commencez par vider la trémie. Puis retirez le moteur de la tarrière en retirant la goupille de la tarrière. Retirez la plaque d'inspection de l'arbre de la tarrière dans la trémie pour pouvoir examiner l'arbre de la tarrière. Soulevez légèrement l'arbre de la tarrière de sorte que l'extrémité de l'arbre sorte du manchon inférieur de la tarrière. Retirez ensuite les deux écrous qui tiennent la pastille supérieure de la tarrière. Puis faites pivoter l'extrémité inférieure de l'arbre de la tarrière vers vous, jusqu'à ce que vous puissiez soulever l'arbre et le sortir du poêle. Après avoir sorti l'arbre, recherchez des pales déformées, des bavures ou des soudures cassées. Retirez tout corps étranger susceptible d'avoir provoqué le blocage. Vérifiez également le tube de la tarrière, en recherchant des signes de dommage, tels que des bavures, des zones rugueuses, ou des rainures creusées dans le métal qui pourraient être à l'origine du blocage. |
| Le moteur de la tarrière est affecté d'une défaillance. | Retirez le moteur de l'arbre de la tarrière et essayez de le faire fonctionner. Si le moteur tourne, c'est l'arbre qui est coincé sur quelque chose. Si le moteur ne tourne pas, il est défectueux. |

| | |
|---|--|
| L'écran affiche « E3 » | |
| Causes possibles | Solutions possibles: (Débranchez le poêle avant toute chose quand c'est possible.) |
| La trémie est vide de granulés. | Remplissez la trémie. |
| Le registre de réglage d'air est trop ouvert pour un réglage de chauffage trop bas. | Si le réglage de chauffage est réduit, vous devrez peut-être fermer complètement le registre. |
| Les orifices du pot de combustion sont bouchés. | Retirez le pot de combustion et nettoyez-le à fond. |
| L'entrée d'air, les chambres intérieures, ou le système d'évacuation sont partiellement obstrués. | Suivez toutes les procédures de nettoyage de la section d'entretien du Guide d'utilisation |
| L'interrupteur de sécurité de la trémie est affecté d'une défaillance ou la trémie est ouverte. | Lors de l'utilisation de l'appareil, vérifiez que le couvercle de la trémie soit fermé pour permettre à l'interrupteur de sécurité de la trémie de s'activer. Vérifiez les connexions des fils qui partent de l'interrupteur de sécurité de la trémie jusqu'au tableau de commande et au moteur de la trémie. Utilisez un testeur de continuité pour tester l'interrupteur de sécurité de la trémie; remplacez-le si nécessaire. |
| Commencez par vider la trémie. Retirez ensuite le moteur de la trémie en retirant la goupille de la trémie, puis retirez les deux boulons qui fixent le support de trémie au tube de trémie. Vous pouvez maintenant retirer le support du tube de trémie. Retirez les deux boulons du côté du tube de trémie pour déposer le roulement inférieur de la trémie. Tirez sur la trémie pour la sortir du tube afin de lever le blocage. | Retirez le moteur de l'arbre de la trémie et essayez de le faire fonctionner. Si le moteur tourne, c'est l'arbre qui est coincé sur quelque chose. Si le moteur ne tourne pas, il est défectueux. |
| L'arbre de la trémie est coincé. | Contournez temporairement le thermostatique POF en débranchant les deux fils et en les raccordant avec un petit morceau de fil. Puis rebranchez le poêle. Si le poêle s'allume et fonctionne, vous devez remplacer le thermostatique POF. Cette manœuvre est réservée aux tests. NE LAISSEZ PAS LE THERMODISQUE HORS CIRCUIT. Si le thermostatique POF restait hors circuit, les ventilateurs ne s'arrêteraient jamais et si le feu s'éteignait, la trémie continuerait à envoyer les granulés jusqu'à ce que la trémie soit vide. |
| Le thermostatique de détection de feu (POF) a mal fonctionné. | Contournez temporairement le thermostatique POF en débranchant les deux fils et en les raccordant avec un petit morceau de fil. Puis rebranchez le poêle. Si le poêle s'allume et fonctionne, vous devez remplacer le thermostatique POF. Cette manœuvre est réservée aux tests. NE LAISSEZ PAS LE THERMODISQUE HORS CIRCUIT. Si le thermostatique POF restait hors circuit, les ventilateurs ne s'arrêteraient jamais et si le feu s'éteignait, la trémie continuerait à envoyer les granulés jusqu'à ce que la trémie soit vide. |
| Le tableau de commande n'envoie pas le courant au thermostatique POF ou aux autres composants du système de trémie. | Une tension approximative de 5 V doit arriver au Thermostatique POF après 10 minutes de fonctionnement du poêle. |

| | |
|---|--|
| L'écran affiche « E2 » | |
| Causes possibles | Solutions possibles: (Débranchez le poêle avant toute chose quand c'est possible.) |
| Le tuyau souple de l'interrupteur de débit d'air ou les tuyaux de fixation au poêle pour le tuyau souple sont bouchés. | Débranchez le tuyau souple d'air de l'interrupteur de débit d'air et soufflez dans le tuyau. Si l'air circule librement, le tuyau souple et le tube sont ouverts. Si l'air ne circule pas dans le tuyau souple, utilisez un cintre à vêtements métallique pour le déboucher. |
| L'entrée d'air, le pot de combustion, les chambres de combustion internes, les ventilateurs de combustion ou le conduit d'évacuation sont bouchés par des cendres ou des corps étrangers. | Suivez toutes les procédures de nettoyage de la section d'entretien du Guide d'utilisation. |
| Le foyer n'est pas correctement scellé. | Vérifiez que la porte est fermée et que le joint est en bon état. |
| Le conduit d'évacuation est mal installé. | Vérifiez que l'installation du conduit d'évacuation satisfait aux critères du Guide d'utilisation. |
| Les connexions du fil de l'interrupteur de débit d'air sont défectueuses. | Vérifiez les connecteurs qui relient les fils gris à l'interrupteur de débit d'air. |
| Panne du ventilateur de combustion. | Lorsque le poêle est en marche, vérifiez si le ventilateur de combustion est en fonctionnement. Sinon, vérifiez l'alimentation électrique du ventilateur de combustion. Ce doit être la tension nominale. Si l'alimentation électrique est bonne, c'est le ventilateur qui est défectueux. Si l'alimentation est absente, reportez-vous au point No. 8. |
| Le tableau de commande n'envoie pas le courant au ventilateur de combustion. | Si l'alimentation électrique n'arrive pas au ventilateur de combustion, vérifiez toutes les connexions des fils électriques. Si tous les fils sont bien connectés, c'est le tableau de commande qui est défectueux. |
| Le tableau de commande n'envoie pas le courant à l'interrupteur de débit d'air. | Après 30 secondes de fonctionnement du poêle, la tension d'alimentation de l'interrupteur de débit d'air doit atteindre environ 5 V. |
| Panne de l'interrupteur d'air. | Pour vérifier l'interrupteur de débit d'air, débranchez le tuyau souple d'air du corps du poêle. L'autre extrémité restant branchée sur l'interrupteur d'air, aspirez très doucement depuis l'extrémité libre du tuyau (vous pouvez débrancher entièrement le tuyau souple du poêle et de l'interrupteur d'air pour vérifier qu'il ne soit pas bouché). Si vous entendez un clic, c'est que l'interrupteur de débit d'air fonctionne. ATTENTION, UNE DÉPRESSION TROP IMPORTANTE PEUT ENDOMMAGER L'INTERRUPTEUR DE DÉBIT D'AIR. |

Lorsque votre poêle agit de manière anormale, la première réaction est d'appeler à l'aide. Ce guide peut vous faire gagner du temps et de l'argent en vous permettant de résoudre vous-même des problèmes simples. Les problèmes rencontrés sont souvent le résultat de cinq facteurs seulement : 1) un mauvais carburant ; 2) mauvais fonctionnement ou entretien ; 3) mauvaise installation ; 4) défaillance d'un composant ; 5) défaut d'usine. Vous pouvez généralement résoudre les problèmes liés aux points 1 et 2. Le service client peut résoudre les problèmes liés aux points 3, 4 et 5. Raportez-vous au schéma de la section « Pièces de rechange » pour vous aider à localiser les pièces indiquées. Dans un souci de dépannage et d'utilisation de ce guide pour vous aider, vous devriez regarder votre réglage de niveau de chaleur pour voir quel voyant clignote.

- Débranchez le cordon d'alimentation avant toute opération d'entretien ! REMARQUE: Le fait de placer l'interrupteur ON/OFF en position « OFF » ne coupe pas entièrement l'alimentation des composants électriques du poêle.
- Ne tentez jamais de réparer ou de remplacer une pièce du poêle sauf indication contraire dans les directives de ce guide. Tous les autres travaux doivent être effectués par un technicien qualifié.

| | | |
|----------------------|--|--|
| L'affichage clignote | Le capteur de bas niveau de carburant s'est déclenché. | Le niveau de pellets est bas, remplir la trémie. |
|----------------------|--|--|

| | | |
|--|---|--|
| L'écran affiche « E1 » | Solutions possibles: (Débranchez le poêle avant toute chose quand c'est possible.) | |
| Causes possibles | Ajustez la glissière du régulateur de carburant (Voir la section « Comment régler le régulateur de carburant » de ce manuel). Fermez la glissière environ 1/4 po après que votre poêle se soit refroidi. Redémarez votre poêle. Si votre écran affiche à nouveau E1, fermez la glissière de 1/4 po et recommencez. | |
| Le ventilateur de convection surchauffe et déclenche l'arrêt de température interne. | Enlevez la poussière des bobinages et pales de ventilateur. Si le graissage du ventilateur ne suffit pas, il se peut que le ventilateur soit défectueux. | |
| Le poêle est demeuré sur le réglage le plus élevé pendant de longues périodes. | En cas d'utilisation du poêle sur le réglage de chauffage le plus élevé, il se peut que la température de la pièce s'élève au point de créer une situation de surchauffe potentielle. Dans ce cas, essayez d'utiliser un réglage de chauffage inférieur. | |
| Un autre combustible que les granulés de bois est brûlé dans le poêle. | Ce poêle à granulés a été conçu et testé pour brûler des granulés de bois. Recherchez la présence de combustibles autre que des granulés de bois. Aucun autre type de combustible n'a été approuvé pour ce poêle à granulés. En présence de signes d'utilisation d'autres types de combustible, cessez immédiatement de les utiliser. | |
| Sur tension ou baisse de tension. | Une surtension, un pic ou une chute de tension peut provoquer le déclenchement du l'interrupteur de surchauffe. Vérifiez si une protection contre les surtensions est installée sur le poêle. Sinon, il est conseillé d'en installer une. | |
| L'interrupteur de surchauffe fonctionne mal. | Si tous les autres éléments paraissent corrects, remplacez l'interrupteur de surchauffe. | |

ATTENTION: CET APPAREIL DE CHAUFFAGE AU BOIS A BESOIN D'INSPECTION PÉRIODIQUE ET LA RÉPARATION POUR UN FONCTIONNEMENT CORRECT. IL EST CONTRE LES RÉGLEMENTS FÉDÉRAUX POUR FAIRE FONCTIONNER CE POÊLE À BOIS D'UNE MANIÈRE INCOMPATIBLE AVEC LES INSTRUCTIONS DE CE MANUEL.

INSTRUCTIONS SPÉCIFIQUES AUX INSTALLATIONS CANADIENNES

| | |
|----------------------------|-----------------|
| Informations sur le modèle | |
| Numéro de modèle | Numéro de série |

Pour une assistance pièces, appelez le 800-750-2723 poste 5051 ou envoyez un e-mail : parts@usstove.com, ou commandez sur www.myreplacementparts.com

Les informations contenues dans ce manuel du propriétaire sont spécifiques à votre appareil. Lors de la commande de pièces de rechange, les informations contenues dans ce manuel vous aideront à vous assurer que les bons articles sont commandés. Avant de contacter le service client, notez le numéro de modèle et le numéro de série de cet appareil. Cette information se trouve sur l'étiquette de certification apposée à l'arrière de l'appareil. D'autres informations qui pourraient être nécessaires sont le numéro de pièce et la description de l'article en question. Les références et les descriptions se trouvent dans la section «Pièces de réparation» de ce manuel. Une fois ces informations recueillies, vous pouvez contacter le service client par téléphone au 1-800-750-2723, poste 5051 ou par e-mail à parts@usstove.com.

N'obstruez pas l'espace sous l'appareil de chauffage et n'obstruez pas les ouvertures d'air de combustion.

Reportez-vous aux instructions du fabricant de la cheminée pour le démontage de la cheminée/ventilation pour le transport d'un bâtiment transportable.

Les pièces ou matériaux à utiliser pour les protecteurs de braises et les surfaces minimales à couvrir et leur relation avec le radiateur d'appoint, ainsi que l'avis : « Au Canada, pour se conformer à la norme CSA B365, Code d'installation des appareils à combustible solide et équipé, tout revêtement combustible sous l'appareil et/ou dans la zone s'étendant horizontalement à au moins 450 mm (18 po) au-delà de l'appareil de tout côté équipé d'une porte, et à au moins 200 mm (8 po) au-delà de l'appareil de l'autre côté, doivent être protégés par un tampon continu, durable et incombustible qui

fournira une protection contre les braises. La protection contre les braises de 450 mm (18 po) requise de chaque côté avec une porte doit s'étendre sur toute la largeur de l'appareil plus les 200 mm (8 po) requis de chaque côté de l'appareil sans porte. Lorsqu'un appareil est installé à moins de 200 mm (8 po) d'un mur, le tampon de braises ne doit s'étendre que jusqu'à la base du mur. Un tampon de braises ne doit pas être placé sur un tapis à moins que le tampon ne soit structurellement soutenu pour empêcher le déplacement et la distorsion.

Si cet appareil est installé dans un bâtiment transportable, le retrait de la cheminée/ventilation est requis pour le transport du bâtiment.

NE PAS INSTALLER DANS UNE ALCOVE
NE PAS INSTALLER DANS AUCUN FOYER

sont combinés avec des substances combustibles, les cendres et les braises peuvent s'enflammer. L'élimination des cendres est la suivante:

4. Laissez le feu s'éteindre et laissez l'appareil refroidir à température ambiante.
5. Assurez-vous que le poêle à granulés est à température ambiante avant de le toucher. Ouvrez la porte, retirez le pot de combustion et videz-le dans un récipient en métal.
6. Aspirez les cendres de la chambre de combustion. ASSUREZ-VOUS QUE LES CENDRES SONT FROIDES AU TOUCHER AVANT D'ASPIRER. Certains aspirateurs peuvent laisser échapper des cendres dans la pièce. Votre aspirateur doit avoir un filtre ou un sac spécial pour éliminer les fuites.
7. Réinstallez le pot de combustion.

FUMÉE ET CO MONITEURS

La combustion du bois produit naturellement le monoxyde de carbone (CO) et de la fumée. CO est un gaz toxique lorsqu'il est exposé à des concentrations élevées pendant des périodes de temps prolongées. Alors que les systèmes de combustion modernes réchauffeurs réduisent considérablement la quantité de CO émise par la cheminée, l'exposition aux gaz dans des zones fermées ou confinées peut être dangereuse. Assurez-vous que vous les joints du poêle et les joints de cheminée sont en bon état de fonctionnement et d'étanchéité correctement pour assurer une exposition involontaire. Il est recommandé d'utiliser les deux écrans de fumée et de CO dans les zones ayant le potentiel de générer CO.

VÉRIFICATION ET NETTOYAGE DE LA

TRÉMIE

Vérifiez périodiquement la trémie pour déterminer si de la sciure (des fines) s'est accumulée dans le système d'alimentation ou si des granulés sont restés collés à la surface de la trémie. Nettoyez-les si nécessaire. Joints de porte et de vitre Inspectez périodiquement les joints de la porte principale et de la vitre. Il peut s'avérer nécessaire de retirer la porte pour faire remplacer les joints usés, déchirés ou compactés par votre revendeur agréé.

JOINTS DE PORTE ET DE VITRE

Inspecter régulièrement les principales portes et fenêtres en verre joints. La porte principale peut avoir besoin d'être enlevé pour avoir des joints effilochés, brisés ou compactés remplacés par votre revendeur agréé. La porte de cet appareil utilise un joint 5/8 po corde de diamètre.

MOTEURS DES VENTILATEURS

Nettoyez tous les ans les orifices d'aération des moteurs des ventilateurs d'évacuation et de distribution. Retirez le ventilateur d'évacuation du conduit d'évacuation et nettoyez ses pales dans le cadre des opérations de mise en marche en automne.

PEINTURE DE SURFACE

Les surfaces peintes peuvent être essuyées avec un chiffon humide. Si des rayures apparaissent, ou si vous souhaitez rénover la peinture, adressez-vous au revendeur agréé qui vous fournira un bidon de peinture à haute température adaptée.

MISE EN MARCHÉ À L'AUTOMNE

Avant de démarrer le premier feu de la saison de chauffage, vérifiez que la zone à l'extérieur des systèmes d'évacuation et d'admission d'air ne soit pas obstruée. Nettoyez et retirez les cendres volantes du système d'évacuation. Nettoyez tous les filtres du système d'évacuation et du tuyau d'entrée d'air extérieur. Activez toutes les commandes et vérifiez qu'elles fonctionnent correctement. C'est aussi le bon moment pour nettoyer à fond la totalité du poêle.

ARRÊT AU PRINTEMPS

Après la dernière flambée du printemps, retirez tous les granulés restants de la trémie et du système d'alimentation à tarière. Enlevez tout d'abord les granulés avec une pelle, puis faites fonctionner la tarière jusqu'à ce que la trémie soit vide et que les granulés cessent de couler (il suffit pour cela d'appuyer sur l'interrupteur ON en gardant la porte d'observation ouverte). Passez l'aspirateur dans la trémie. Nettoyez soigneusement le pot de combustion et la chambre de combustion. Si le poêle est dans un endroit humide, il peut être souhaitable de pulvériser du silicone en aérosol à l'intérieur de la trémie nettoyée. Le système d'évacuation doit être soigneusement nettoyé.

CALENDRIER D'ENTRETIEN

Suivez le calendrier ci-dessous dans des conditions d'utilisation moyennes. Les joints autour de la porte et de la vitre doivent être inspectés et réparés ou remplacés si nécessaire.

| | | | |
|---|----------------|--------------------------------------|------------------------|
| Tous les mois ou semaines selon les besoins | Tous les jours | Agité | Pot de combustion |
| | | Vidé | Chambre de combustion |
| | Brossée | Vérifiées | Cendres |
| Aspirées | Aspirées | Chambres intérieures | |
| Aspirées / Brossées | | Pales du ventilateur de combustion | |
| Aspirée / Brossée | | Turbine du ventilateur de convection | |
| Nettoyé | | Système d'évacuation | |
| Nettoyé | | Joints | |
| Inspectés | | Vitre | |
| | Essuyée | Essuyée | |
| | Nettoyée | | |
| Vidée et aspirée | | | Trémie (fin de saison) |

Retirez les cendres périodiquement pour éviter l'accumulation inutile de cendres. Retirez les cendres une fois l'unité refroidie. Les cendres doivent être placées dans un récipient en métal avec un couvercle hermétique. Le contenant fermé de cendres doit être placé sur un sol incombustible ou sur le sol, bien éloigné de tout matériau combustible, en attendant l'élimination finale. Si les cendres sont éliminées par enfouissement dans le sol ou autrement dispersées localement, elles doivent être conservées dans le récipient fermé jusqu'à ce que toutes les braises aient été complètement refroidies. Le contenant ne doit pas être utilisé pour d'autres déchets ou l'élimination des déchets. S'ils

AVERTISSEMENT:

LAISSEZ LE POÊLE REFROIDIR AVANT D'EFFECTUER TOUT ENTRETIEN OU NETTOYAGE. LES CENDRES DOIVENT ÊTRE ÉVACUÉES DANS UN RÉCIPIENT MÉTALLIQUE DOTÉ D'UN COUVERCLE HERMÉTIQUE. LE RÉCIPIENT À CENDRES FERMÉ DOIT ÊTRE DÉPOSÉ SUR UNE SURFACE NON COMBUSTIBLE OU SUR LE SOL, BIEN À L'ÉCART DE TOUTE MATIÈRE COMBUSTIBLE, AVANT L'ÉLIMINATION DÉFINITIVE.

ENLÈVEMENT ET ÉLIMINATION DES CENDRES

Elles s'accumulent dans la portion horizontale du conduit d'évacuation. Bien qu'elles ne soient pas combustibles, elles peuvent gêner le flux normal d'évacuation. Elles doivent donc être périodiquement éliminées.

CENDRES VOLANTES

NE PAS abuser du verre de la porte en frappant, en claquant ou en traumatisant similairement. N'utilisez pas le réchaud avec le verre enlevé, fissuré ou cassé.

endommager le verre.

3. Réinstallez le nouveau verre en remontant les fixations et les vis, veillez à ne pas trop serrer les vis car cela pourrait

pour obtenir ce verre.

alternatifs pour le verre. Contactez votre revendeur agréé

peut être utilisé. NE PAS substituer les matériaux

haute température de la taille et de l'épaisseur appropriées

correctement tout le verre cassé. Seul le verre céramique à

les morceaux de verre en vrac du cadre de la porte. Éliminer

à la manipulation du verre cassé), retirez soigneusement

2. Tout en portant des gants en cuir (ou tout autre gant adapté

1. Retirez les quatre vis et les retenues en verre.

procédures de retrait:

revendeur américain Stove. Si le verre est brisé, suivez ces

Le verre de remplacement peut être acheté auprès de votre

N'essayez pas de faire fonctionner l'appareil avec du verre brisé.

N'effectuez PAS le nettoyage lorsque la vitre est CHAUDE.

pour nettoyer le verre. N'UTILISEZ PAS de nettoyeurs abrasifs.

s'accumule, vous pouvez utiliser de la laine d'acier et de l'eau

NE JAMAIS UTILISER CE PRODUIT SANS SURVEILLANCE

Nous vous recommandons d'utiliser un nettoyeur pour vitres de haute qualité. Si une accumulation de crésote ou de carbone

VERRE

l'évacuation du poêle.

saison de chauffage. Pour nettoyer la cheminée, déconnecter

si nécessaire de réparer la totalité du système avant chaque

service. Il est également conseillé d'inspecter, de nettoyer et

type de cheminée utilisé. Un ramonneur qualifié peut fournir ce

être éliminée avec une brosse spécialement conçue pour le

la cheminée par le haut ainsi que par le bas. La crésote doit

de crésote plus rapidement; il est donc important de vérifier

Les surfaces plus froides ont tendance à accumuler les dépôts

au niveau du raccord avec le poêle et en haut de la cheminée.

pour réduire le risque de feu de cheminée. Inspectez le système

produite. Si la crésote s'est accumulée, elle doit être enlevée

une accumulation de crésote ou de cendres volantes s'est

une fois par an ou par tonne de granulés pour déterminer si

de cheminée doivent être inspectés par une personne qualifiée

de la crésote dans certaines conditions. Le raccord et le conduit

leur grande efficacité, les poêles à granulés peuvent accumuler

endommager la cheminée, voire détruire la maison. En dépit de

feu, cette crésote produit un feu extrêmement chaud qui peut

résidus de crésote s'accumulent sur le boisseau. Si elle prend

ou si le feu vient de démarrer ou brûle lentement. Ainsi, les

condensent dans un conduit de cheminée relativement froid

rejetée pour former la crésote. Les vapeurs de crésote se

d'autres vapeurs organiques qui se combinent avec l'humidité

Lorsque le bois brûle lentement, il produit du goudron et

LE SYSTÈME D'ÉCHAPPEMENT DOIT ÊTRE VÉRIFIÉ MENSUEL PENDANT LA SAISON DE BRÛLURE POUR TOUT ACCUMULATION DE SUIE OU DE CRÉSOTE.

MISE EN GARDE:

ÉLIMINATION DE LA CRÉSOTE, INSPECTION ET FORMATION

AVERTISSEMENT:

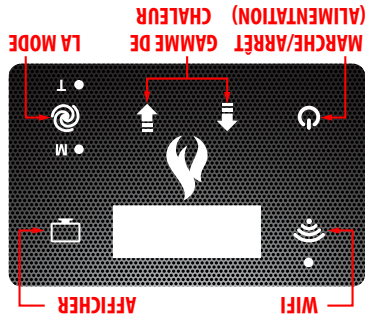
- LE DÉFAUT DE NETTOYAGE ET D'ENTRETIEN DE CET APPAREIL COMME INDiqué PEUT ENTRAÎNER UNE BAISSE DES PERFORMANCES ET UN RISQUE POUR LA SÉCURITÉ.
- DÉBRANCHEZ LE CORDON ÉLECTRIQUE DU POÊLE AVANT DE RETIRER LE PANNEAU ARRIÈRE OU D'OUVRIr LE SYSTÈME D'ÉVACUATION POUR TOUTE TÂCHE D'INSPECTION, DE NETTOYAGE OU D'ENTRETIEN.
- NE PROCÉDEZ JAMAIS À L'INSPECTION, AU NETTOYAGE OU À L'ENTRETIEN SUR UN POÊLE CHAUD.
- N'UTILISEZ PAS LE POÊLE SI LA VITRE EST CASSÉE, IL POURRAIT EN RÉSULTER UNE FUIrE DE GAZ DE COMBUSTION.

CONNEXION ET FONCTIONNEMENT DE L'APPLICATION

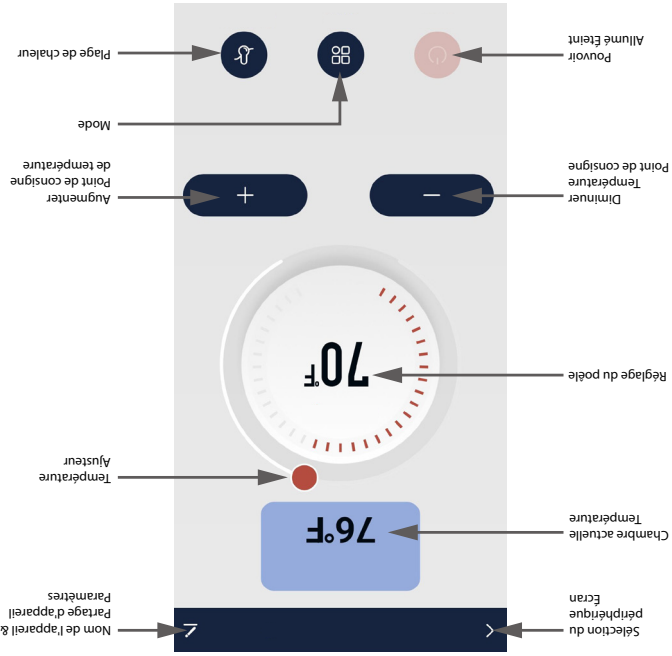
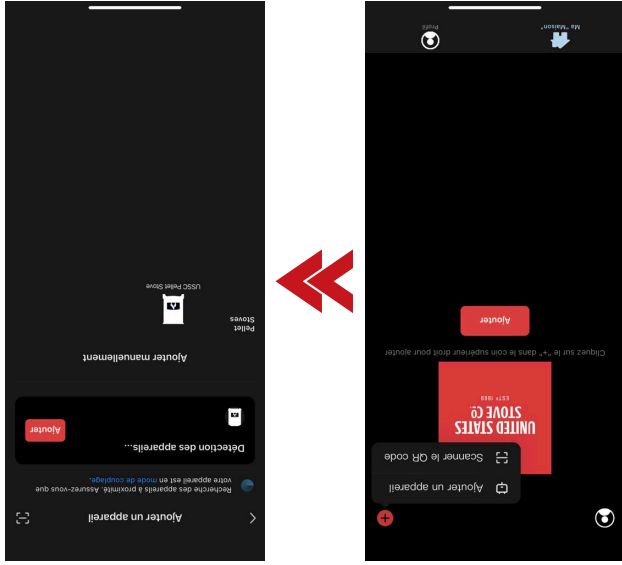
1. Ouvrez l'application. Une fois le processus initial d'inscription » terminé, l'application s'ouvre, par défaut, sur l'écran « Ajouter un appareil ».

2. Assurez-vous que votre appareil et votre poêle se connectent au même réseau Wi-Fi.
 3. Assurez-vous que le poêle est branché sur une prise électrique et qu'il peut être allumé.

4. Il y a un voyant rouge clignotant situé au-dessus du bouton de configuration. Remarque : Lorsque le voyant lumineux clignote, l'appareil est prêt à être couplé. Lorsque le voyant est fixe, l'appareil a été couplé avec succès.



5. Sélectionnez «Ajouter un appareil». Remarque : L'accès à la localisation et au Bluetooth est requis lors de l'utilisation de l'application.
6. Un écran avec «Discovering Devices» apparaîtra. Appuyez sur le bouton «Ajouter».
7. Entrez les informations Wi-Fi.
8. Le cercle bleu indique que l'appareil est en cours d'ajout.
9. Une fois l'unité ajoutée avec succès, une coche verte apparaîtra. L'application et l'appareil sont maintenant prêts à l'emploi!



Ce poêle peut être surveillé et contrôlé à l'aide de l'application US Stove Company qui est disponible pour les appareils iOS ou Android via l'App Store.

1. Téléchargez l'application US Stove Company.

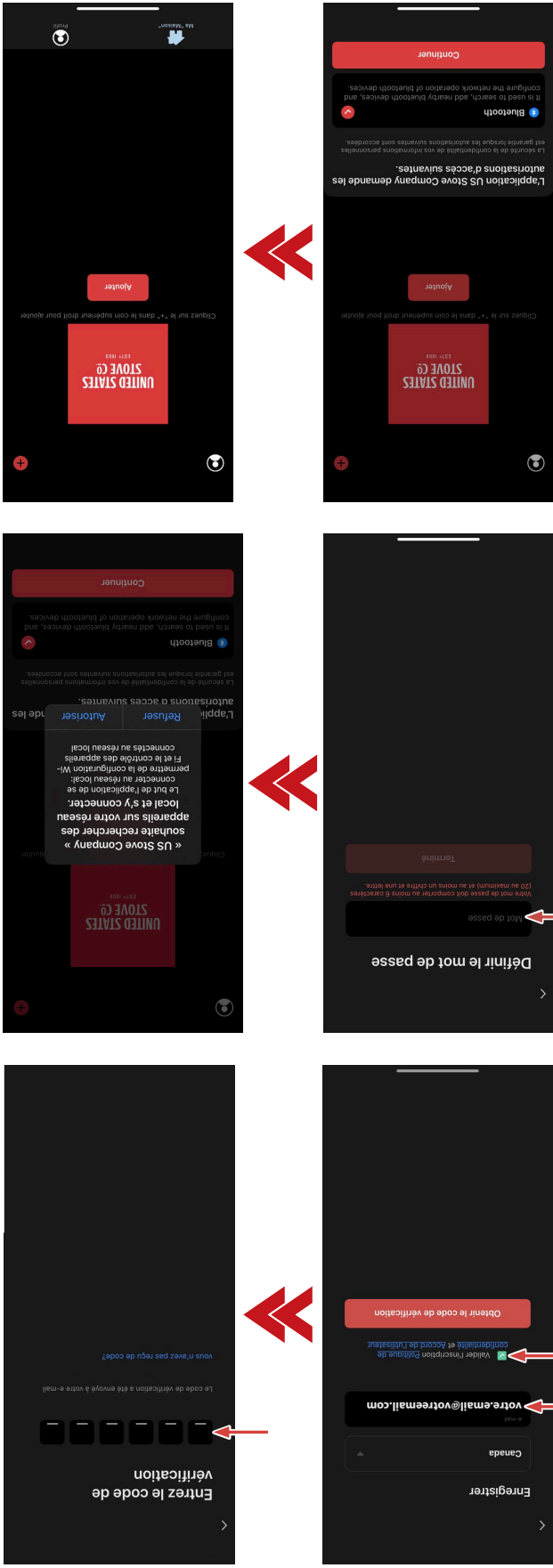


2. Ouvrez l'application et sélectionnez "S'inscrire". Remarque: vous n'aurez besoin de passer par le processus d'inscription que lorsque vous utiliserez l'application pour la première fois.



3. Suivez les instructions à l'écran.

- Entrez votre e-mail et acceptez la politique de confidentialité et l'accord d'utilisation.
- Créez un mot de passe de 6 à 20 caractères avec un mélange de lettres et de chiffres.
- Entrez le code de vérification à 6 chiffres qui a été envoyé à l'adresse e-mail saisie précédemment.
- Fournissez l'accès aux deux autorisations demandées.
- Autoriser les notifications via les paramètres du téléphone.
- L'application est prête à ajouter l'unité.



B. En cas de dysfonctionnement du ventilateur de convection, le thermostat haute température arrête automatiquement la tarrière, ce qui prévient une surchauffe du poêle.

REMARQUE: Sur certains appareils, une fois le bouton de réinitialisation débranché, comme un disjoncteur, il faut appuyer dessus pour redémarrer le poêle. Sur d'autres appareils, le thermostat ne comporte pas de bouton de réinitialisation et se réinitialise lorsque le poêle a refroidi. Le fabricant vous recommande de vous adresser au revendeur si cela se produit car cela peut indiquer un problème plus grave. Il peut s'avérer nécessaire d'appeler le service de réparation.

2. En cas de défaillance du ventilateur de combustion, un interrupteur pneumatique interrompt automatiquement la tarrière.

REMARQUE: L'ouverture de la porte du poêle pendant plus de 30 secondes pendant le fonctionnement provoque un changement de pression suffisant pour activer l'interrupteur pneumatique qui arrête l'alimentation en combustible. Le poêle s'éteint et la mention « E2 » s'affiche sur l'écran à deux chiffres. Le poêle doit s'arrêter complètement avant de pouvoir être redémarré.

FONCTIONNEMENT OPTIMAL

Ce poêle a été certifié par l'US EPA pour répondre aux directives strictes de 2020. Pour s'assurer que cet appareil produit des émissions minimales optimales, il est essentiel de suivre les directives suivantes. Pour obtenir une « combustion élevée », votre poêle doit être réglé sur le réglage 5 avec le registre complètement ouvert. être réglé sur le réglage 1 avec le registre fermé. Pour obtenir une « faible combustion », votre poêle doit être réglé sur le réglage 1 avec le registre fermé. Les réglages 2, 3 et 4 vous donneront une puissance calorifique plus élevée au-dessus du moyen et le registre doit être ouvert pour ces réglages. Si la porte est ouverte alors que le poêle est en marche, elle doit être fermée dans les 30 secondes ou le poêle s'éteindra. Si le poêle s'éteint, appuyez sur le bouton « Marche/Arrêt » pour redémarrer votre poêle. Le poêle devra s'éteindre et s'éteindre complètement avant que vous puissiez redémarrer le poêle.

CHAMBRES INTÉRIEURES

- **Graver Pot** - Périodiquement enlever et nettoyer le pot de combustion et la zone à l'intérieur du logement du pot de combustion. En particulier, il est conseillé de nettoyer les trous dans le pot de combustion pour éliminer toute accumulation qui peut empêcher l'air de se déplacer à travers le pot de combustion librement.
- **Echangeur de chaleur** - Il y a une plaque à nettoyer des deux côtés de l'échangeur de chaleur qui ont besoin d'être enlevés

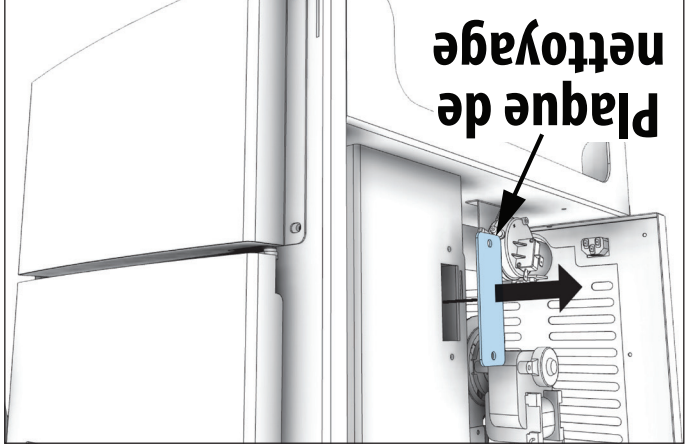
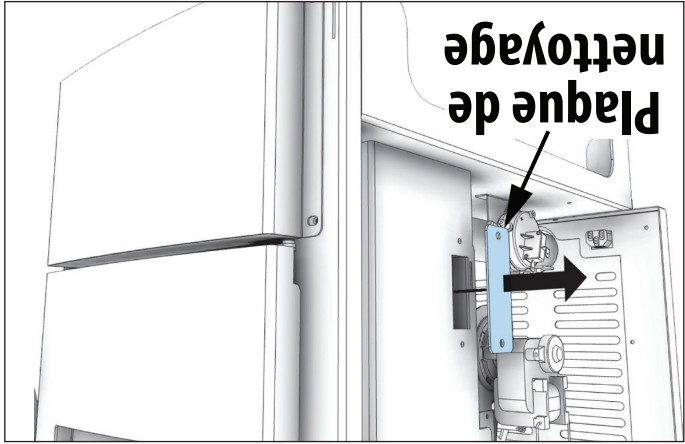
AVERTISSEMENT:

L'ENSEMBLE DE MAINTENANCE L'ENTRETIEN PROPRE DÉTERMINANT UNE PERFORMANCE DE CE POÊLE.

NE PAS ASPIRER LES CENDRES CHAUDES.

Si un aspirateur est utilisé pour nettoyer votre poêle, nous vous suggérons d'utiliser l'aspirateur AV15E AshVac. L'AV15E AshVac est conçu pour l'élimination des cendres. Certains aspirateurs ordinaires (c.-à-d. Les aspirateurs d'atelier) peuvent laisser s'échapper des cendres dans la pièce.

pour le nettoyage des cendres volantes hors de l'échangeur de chaleur. Les regards de nettoyage sont situés à l'intérieur des portes d'armoires, sur les coins avant inférieurs de l'échangeur de chaleur. Pour accéder à ces outils propres, vous devez retirer les deux panneaux latéraux. Les sorties propres sont fixées à la chambre de combustion avec (2) vis 5/16". Retirez les feuilles propres et aspirez les cendres accumulées. Cela devrait être fait au moins une fois par mois ou plus fréquemment si de grandes quantités de cendres sont remarquées lors du nettoyage ou si le poêle ne semble pas être brûler correctement.



Le feu s'éteint; le moteur de la tarrière et les ventilateurs restent en fonctionnement jusqu'à ce que le poêle ait refroidi. Cela peut prendre 30 minutes ou plus, en fonction de la chaleur résiduelle dans l'appareil. Après l'arrêt des composants du poêle, tous les témoins de l'écran s'éteignent et l'écran à deux chiffres affiche « E3 ».

RECHARGE EN COMBUSTIBLE

- **GARDEZ LE COUVERCLE DE LA TRÉMIE FERMÉ À TOUT MOMENT, SAUF PENDANT LE REMPLISSAGE.**
- **NE REMPLISSEZ PAS TROP LA TRÉMIE.**

AVERTISSEMENT:

- **LA TRÉMIE ET LE COUVERCLE DU POÊLE SONT CHAUDS PENDANT LE FONCTIONNEMENT ; VOUS DEVEZ TOUJOURS PROTÉGER VOS MAINS LORS DU REMPLISSAGE DU POÊLE.**
- **NE TOUCHEZ PAS AUX SURFACES CHAUDES DU POÊLE. ENSEIGNEZ AUX ENFANTS LES DANGERS DES POÊLES À HAUTE TEMPÉRATURE. LES JEUNES ENFANTS DOIVENT ÊTRE SURVEILLÉS LORSQU'ILS SE TROUVENT DANS LA MÊME PIÈCE QUE LE POÊLE.**
- **NE PLACEZ JAMAIS VOTRE MAIN PRÈS DE LA TARIÈRE LORSQUE LE POÊLE EST EN MARCHÉ.**
- **NOUS VOUS RECOMMANDONS DE NE PAS LAISSER LA TRÉMIE TOMBER EN DESSOUS DE 1/4 PLEINE**

AVERTISSEMENT:

AVERTISSEMENT DE SABOTAGE

Ce poêle à bois a un taux de combustion faible minimum, défini par le fabricant, qui ne doit pas être modifié. Il est contraire à la réglementation fédérale de modifier ce paramètre ou d'utiliser ce radiateur à bois d'une manière non conforme aux instructions d'utilisation de ce manuel.

PROCÉDURE D'ARRÊT

AVERTISSEMENT:
NE JAMAIS ARRÊTER CET APPAREIL EN LE DÉBRANCHANT DE LA SOURCE D'ALIMENTATION.

1. Ce poêle est équipé d'un thermostat haute température. Cet appareil comporte un thermostat à réarmement manuel. Cet interrupteur de sécurité a deux fonctions.
 - A. Détecter une surchauffe du poêle et arrêter le système d'alimentation en combustible ou la tarrière.

OUVERTURE DE LA PORTE

Si la porte est ouverte pendant le fonctionnement du poêle, elle doit être refermée dans les 30 secondes, sinon le poêle s'éteint. Si le poêle s'éteint, appuyez sur l'interrupteur ON/OFF pour le redémarrer. Le poêle doit être complètement arrêté et débranché avant de pouvoir être redémarré.

- **NE FAITES PAS FONCTIONNER VOTRE POÊLE AVEC LA PORTE VUE OUVERTE. LA TARIÈRE N'ALIMENTERA PAS DE GRANULÉS DANS CES CIRCONSTANCES ET UN PROBLÈME DE SÉCURITÉ PEUT PROVOQUER DES ÉTINCELLES OU DES FUMÉES ENTRANT DANS LA PIÈCE.**
- **LA PORTE D'ALIMENTATION DOIT ÊTRE FERMÉE ET SCÉLÉE PENDANT LE FONCTIONNEMENT.**

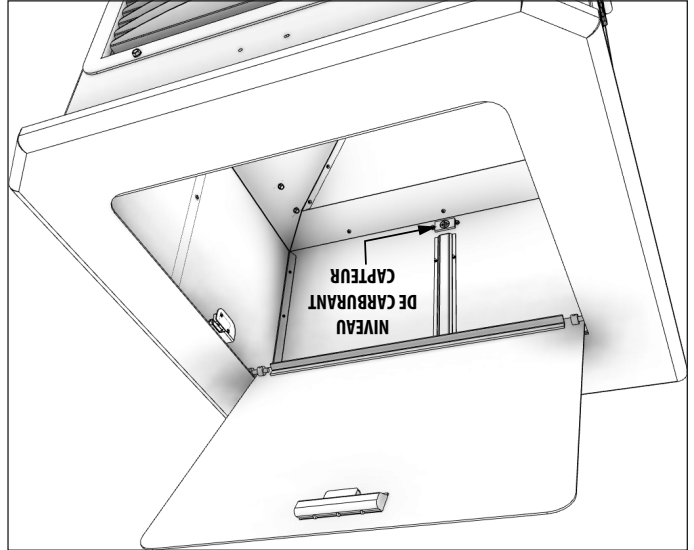
AVERTISSEMENT:

VENTILATEUR DE LA PIÈCE

Lors du démarrage du poêle, le ventilateur de la pièce ne se met pas en marche tant que l'échangeur thermique du poêle n'est pas chaud. Cela prend habituellement environ 10 minutes après le démarrage.

SI LE POÊLE MANQUE DE GRANULÉS

Ce poêle est équipé d'un capteur de niveau de carburant qui, lorsqu'il est connecté au WiFi et détecte un faible niveau de carburant, fera clignoter l'écran du poêle et enverra une notification à l'application qui l'accompagne.



AVERTISSEMENT:

- GARDER LES OBJETS ÉTRANGERS HORS DE LA TRÉMIE.
- LES PIÈCES MOBILES DE CE POÊLE SONT MUES PAR DES MOTEURS ÉLECTRIQUES AU COUPLE ÉLEVÉ. ÉLOIGNEZ TOUTES LES PARTIES DU CORPS DE LA TARIÈRE LORSQUE LE POÊLE EST BRANCHÉ SUR LA PRISE ÉLECTRIQUE. CES PIÈCES MOBILES PEUVENT COMMENCER À BOUGER À TOUT MOMENT LORSQUE LE POÊLE EST BRANCHÉ.

VÉRIFICATION AVANT LA MISE EN MARCHÉ

Retirez le pot de combustion, vérifiez qu'il soit propre et qu'aucun des orifices d'air ne soit bouché. Nettoyez la chambre de combustion puis réinstallez le pot de combustion. Nettoyez la vitre de la porte si nécessaire (un chiffon sec ou une serviette en papier suffit généralement). N'utilisez jamais de produits nettoyants abrasifs sur la vitre ou la porte. Vérifiez le combustible dans la trémie, et remplissez-la si nécessaire.

CONSTRUIRE UN FEU

N'utilisez jamais de grille ou autre moyen de supporter le carburant. Utilisez uniquement le pot de combustion fourni avec ce radiateur. Le couvercle de la trémie doit être fermé pour que l'unité puisse alimenter des granulés. Pendant la période de démarrage:

- Assurez-vous que le pot de combustion ne contient pas de granulés.
- N'ouvrez PAS la porte de visualisation.
- N'ajoutez PAS de granulés dans le pot de combustion à la main.

REMARQUE: Au cours des premiers incendies, votre poêle émettra une odeur lorsque la peinture à haute température durcit ou deviendra assainonnée au métal. Le maintien de petits incendies minimisera cela. Évitez de placer des articles sur la cuisinière pendant cette période car la peinture pourrait être affectée. Les tentatives pour atteindre des débits de chaleur dépassant les spécifications de conception du réchauffeur peuvent entraîner des dommages permanents au réchauffeur.

FONCTIONNEMENT OPTIMAL

Ce poêle à granulés a été certifié par l'US EPA pour répondre aux directives strictes de 2020. Pour s'assurer que cet appareil produit les émissions minimales optimales, il est essentiel de suivre les directives suivantes. Pour obtenir une « combustion élevée », votre poêle doit être réglé sur le réglage 5 avec le registre complètement ouvert. Pour obtenir une « combustion moyenne », votre poêle doit être réglé sur le réglage 1 avec le registre complètement fermé. Pour obtenir une « faible combustion », votre poêle doit être réglé sur le réglage 1 avec le registre fermé. Les réglages 2, 3 et 4 vous donneront une puissance calorifique supérieure à moyenne et le registre doit

être ouvert pour ces réglages. Si la porte est ouverte alors que le poêle est en marche, elle doit être fermée dans les 30 secondes ou le poêle s'arrêtera. Si le poêle s'arrête, appuyez sur le bouton « Marche/Arrêt » pour redémarrer votre poêle. Le poêle devra s'éteindre et s'éteindre complètement avant que vous puissiez redémarrer le poêle.

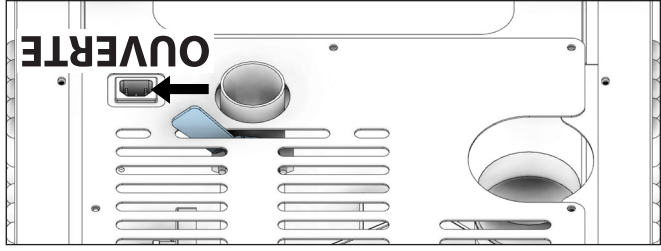
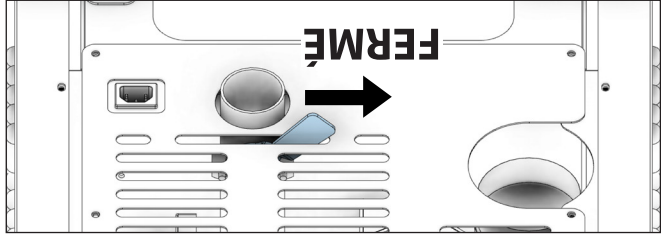
ALLUMEUR

1. Remplissez la trémie et nettoyez le pot de combustion.
2. Appuyez sur le bouton « Marche/Arrêt ».
3. Réglez la plage de chaleur/température. **Mode manuel -**

Appuyez sur le « bouton d'affichage » pour voir la plage de chaleur actuelle. Utilisez les flèches haut et bas pour régler la plage de chaleur. **Mode T-stat -** Appuyez sur le « bouton d'affichage » pour voir le réglage de température actuel. Utilisez les flèches haut et bas pour régler la température selon vos besoins.

Si le feu ne démarre pas dans les 12 minutes, appuyez sur « Marche/Arrêt », attendez quelques minutes, videz le pot de combustion et recommencez la procédure.

RÉGLAGE DU REGISTRE DE TIRAGE



Le levier de commande du registre est situé à l'arrière du poêle sur le côté inférieur gauche. Le réglage par défaut de la commande du registre doit être complètement ouvert. Le registre ajuste l'air de combustion. Ce contrôle est nécessaire en raison des caractéristiques de combustion variées des installations individuelles, des différences marquées de granulés et des débits d'alimentation des granulés. Il vous permet d'améliorer l'efficacité de votre poêle. Fournir un air de combustion correct réduira la fréquence de nettoyage de votre porte vitrée et empêchera l'accumulation rapide de crasse à l'intérieur de votre poêle et de votre cheminée. Vous devez ajuster le registre en fonction de l'apparence du feu. Un feu bas, rougeâtre et sale peut être amélioré en tournant légèrement le registre vers la droite. Un feu de « chalumneau » peut être amélioré en tournant légèrement l'amortisseur vers la gauche. En règle générale, sur

CARBURANT APPROPRIÉ

AVERTISSEMENT:
L'APPAREIL EST CONÇU POUR ÊTRE UTILISÉ AVEC DU COMBUSTIBLE EN GRANULÉS CONFORME À OU EXCÉDANT LA NORME ÉTABLIE PAR LE PELLETT FUEL INSTITUTE (PFI). L'UTILISATION D'AUTRES COMBUSTIBLES ANNULE LA GARANTIE.

Votre poêle à granulés est conçu pour brûler des granulés de bois dur de qualité supérieure conformes à la norme PFI (Pellet Fuels Institute) (densité minimale de 40 lb par pied cube, diamètre de 1/4 à 5/16 moins de 8 200 BTU / lb, humidité inférieure à 8% en poids, cendres inférieure à 1% en poids et sel inférieure à 300 parties par million). Les granulés mous, contenant une quantité excessive de sciure de bois en vrac, qui ont été ou sont mouillés, réduiront les performances. Rangez vos pellets dans un endroit sec. NE stockez PAS le carburant dans les dégagements d'installation de l'appareil ou dans l'espace requis pour faire le plein et enlever les cendres. Cela pourrait provoquer un incendie. Ne pas trop brûler ou utiliser des combustibles volatiles ou des combustibles, cela pourrait causer des dommages aux personnes et à la propriété. Cet appareil n'est homologué que pour brûler du carburant sous forme de granulés de bois ! Les granulés approuvés mesurent 1/4 po. Ou 5/16 po. De diamètre et pas plus de 1 po. De long. Les granulés plus longs ou plus épais peuvent bloquer les ailettes de la tarrière, ce qui empêche une bonne alimentation en granulés. Il est interdit de brûler du bois sous d'autres formes que des granulés. Il s'agirait d'une violation des codes du bâtiment pour lesquels le poêle a été approuvé, et cela annulerait toutes les garanties. La conception du poêle intègre l'alimentation automatique des granulés dans le feu selon un rythme soigneusement calculé. Un autre combustible introduit à la main n'augmenterait pas la production de chaleur, mais pourrait nuire gravement aux performances du poêle en générant beaucoup de fumée. Ne brûlez pas de granulés mouillés. Les performances du poêle dépendent fortement de la qualité des granulés. Évitez les marques de granulés qui présentent les caractéristiques suivantes :

- Un excès de fines – Le terme « fines » décrit les granulés écrasés ou les matériaux libres qui ressemblent à de la sciure ou à du sable. Il est possible de tamiser les granulés avant de les placer dans la trémie pour éliminer la plupart des fines.
- Des liants – Certains granulés sont produits avec des matériaux liants qui les agglutinent, les « lient ».
- Un contenu élevé en cendres – Ces granulés de mauvaise qualité créent souvent de la fumée et salissent la vitre. L'entretien devra être plus fréquent. Il faudra vider le pot de combustion et aspirer la totalité du système plus fréquemment. Des granulés de mauvaise qualité pourraient endommager la tarrière. Nous ne pouvons accepter aucune responsabilité en cas de dommages dus à des granulés de mauvaise qualité.

1. Éteignez et débranchez l'appareil.
2. Desserrez les deux écrous à oreilles.
3. Ajustez vers le haut pour augmenter ou vers le bas pour réduire la consommation de carburant en fonction de la taille des granulés.
4. Serrez les deux écrous à oreilles.

AVERTISSEMENT:

- N'UTILISEZ PAS DE PRODUITS CHIMIQUES OU DE FLUIDES POUR ALLUMER LE FEU - N'UTILISEZ JAMAIS D'ESSENCE, DE COMBUSTIBLE POUR LANTERNE DE TYPE ESSENCE, DE KÉROSENE, DE LIQUIDE À BRIQUET À CHARBON OU DE LIQUIDES SIMILAIRES POUR ALLUMER OU « RAFFRAÎCHIR » UN FEU DANS CE POÊLE. GARDEZ TOUS CES LIQUIDES ÉLOIGNÉS DU POÊLE PENDANT SON UTILISATION.
- CHAUD EN FONCTIONNEMENT. TENIR LES ENFANTS, LES VÊTEMENTS ET LES MEUBLES À L'ÉCART. LE CONTACT PEUT CAUSER DES BRÛLURES DE LA PEAU.

Cet appareil est conçu pour brûler uniquement PFI pellets Premium qualité. NE PAS BRÛLER:

1. Des déchets;
 2. Coupures de gazon ou les déchets de jardin;
 3. Les matériaux contenant du caoutchouc, y compris les pneumatiques;
 4. Les matériaux contenant de plastique;
 5. Produits pétroliers des déchets, des peintures ou des diluants de peinture ou de produits d'asphalte;
 6. Les matériaux contenant de l'amiante;
 7. Les débris de construction ou de démolition;
 8. Liens ou de bois traité sous pression Railroad;
 9. Fumier ou restes d'animaux;
 10. Sel de bois flotté de l'eau ou d'autres matériaux préablement eau salée saturés;
 11. Bois de; ou
 12. Les produits de papier, de carton, de contreplaqué ou de particules. L'interdiction de la combustion de ces matériaux n'interdit pas l'utilisation des démarreurs de feu fabriqués à partir de papier, de carton, de sciure, de cire et substances similaires dans le but de déclencher un incendie dans un poêle à bois affecté.
- Brûler ces matériaux peut entraîner la libération de fumées toxiques ou de rendre l'appareil de chauffage de la fumée inefficace et cause.

NE JAMAIS UTILISER CE PRODUIT SANS SURVEILLANCE

COMMENT FONCTIONNE L'APPAREIL DE

CHAUFFAGE

Cet appareil de chauffage à granulés fonctionne avec un système d'alimentation en combustible à vis sans fin et temporisateur commandé par une carte de circuit numérique. Le combustible est délivré par la vis sans fin dans un pot de combustion (le récipient où le processus de combustion a lieu). En fonction des différentes plages de la chaleur (1-5), l'appareil de chauffage va délivrer la quantité appropriée de combustible pour atteindre une plage de températures donnée. À noter que la quantité de chaleur produite par l'appareil de chauffage est proportionnelle à la vitesse de combustion du combustible. L'appareil de chauffage est équipé d'un système d'allumage automatique qui doit enflammer le combustible dans un délai de 5 à 10 minutes après l'appui sur le bouton ON. Au fur et à mesure que les granulés tombent dans le pot de combustion et s'enflamment, l'air extérieur est aspiré par un ventilateur de combustion pour alimenter le feu. Les gaz de postcombustion sont ensuite aspirés à travers l'échangeur de chaleur au fur et à mesure qu'il se déplacent dans l'évacuation. Au fur et à mesure que l'appareil chauffe, l'air ambiant est brassé autour de l'échangeur de chaleur par un ventilateur qui redistribue l'air chaud dans la pièce. Du fait qu'une ventilation forcée est nécessaire au processus de combustion à l'intérieur de l'appareil, il est extrêmement important que le système d'évacuation soit correctement entretenu. Et, lorsque vous utilisez votre appareil de chauffage, vous devez vous assurer que les portes de visualisation et de combustion soient bien fermées et/ou étanches.

PRÉSENTATION DU TABLEAU DE

COMMANDE

La mise sous/hors tension du chauffage ainsi que les réglages du débit d'alimentation en carburant s'effectuent en appuyant sur le(s) bouton(s) approprié(s) du panneau de commande.

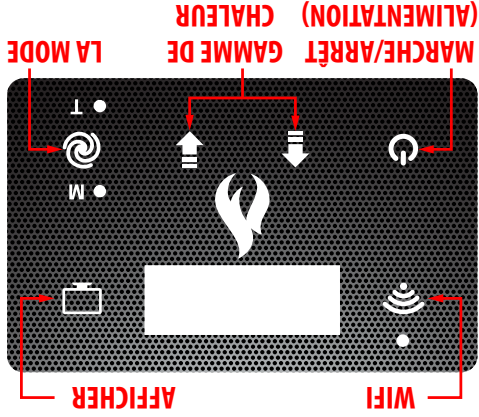
MARCHE/ARRÊT (Alimentation)

- L'appui sur le bouton « ON » du tableau de commande déclenche la séquence de démarrage de l'appareil. Le carburant est envoyé dans l'appareil par le système d'alimentation à vis sans fin, puis s'enflamme au bout de 5 minutes environ.
- L'appui sur le bouton « OFF » du tableau de commande déclenche la séquence d'arrêt de l'appareil. Le système d'alimentation en combustible arrête de distribuer le combustible depuis la trémie et, une fois le feu éteint et l'appareil de chauffage refroidi, le ventilateur s'arrête.

PLAGE DE TEMPÉRATURES

- Appuyez sur les flèches « Heat Range » (Plage de températures), vers le haut ou le bas, pour ajuster la quantité de combustible envoyée dans le pot de combustion.

COMMENT RÉGLER LE RÉGULATEUR DE CARBURANT



- Utilisez le bouton « Mode » pour basculer entre le mode manuel (M) et le mode thermostat (T).

MODE

- Appuyez sur le bouton «Affichage» pour basculer l'affichage entre la plage de chaleur et la température ambiante.

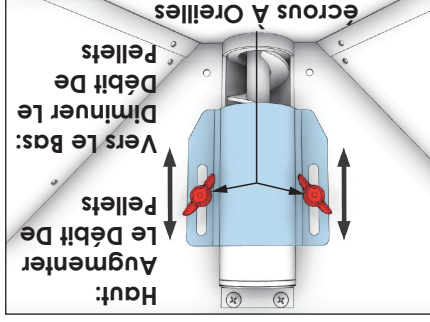
AFFICHER

- Appuyez sur le bouton «WIFI» pour commencer à coupler l'appareil à votre téléphone.

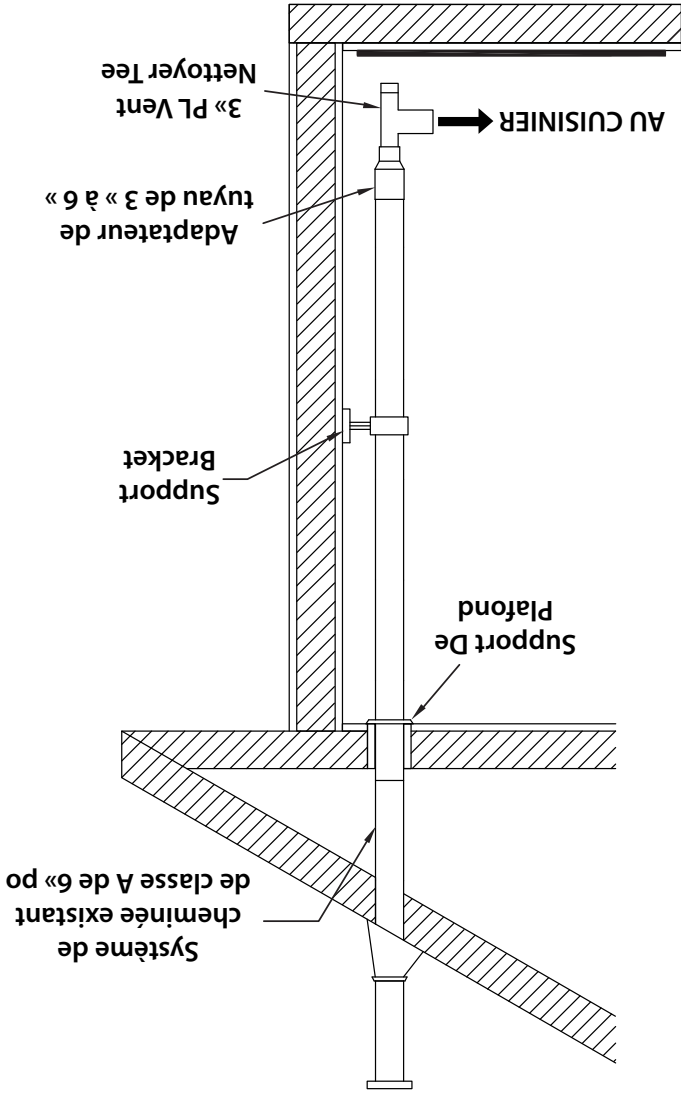
WIFI

- Lorsque l'appareil atteint la température de consigne, le ventilateur d'air ambiant se met en marche.

- Le ventilateur d'évacuation démarre. À noter que cet appareil rapporte air/combustible, et aussi pour faciliter le nettoyage actionne le ventilateur d'évacuation afin d'obtenir le bon rapport air/combustible, et aussi pour faciliter le nettoyage du pot de combustion.



Il est courant dans l'industrie des granulés que la taille moyenne des granulés varie. En raison des différentes tailles de granulés, cet appareil est équipé d'un régulateur de carburant pour ajuster la quantité de carburant autorisée à passer dans l'ensemble de la vis sans fin. Le régulateur de carburant est situé à l'intérieur de la trémie. Remarque: le paramètre d'usine par défaut pour cela est complètement ouvert. Pour diminuer le débit de granulés, abaissez le régulateur de carburant.



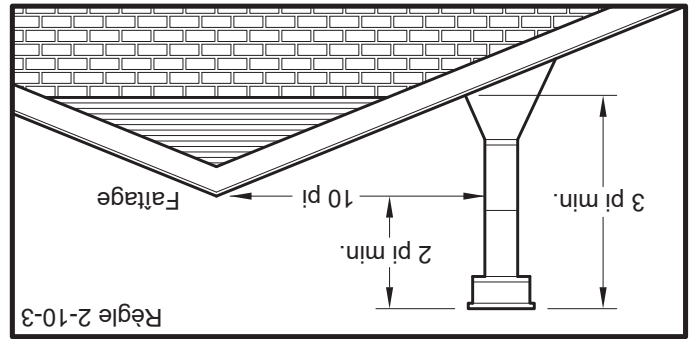
1. Vous devez faire nettoyer et / ou inspecter le système de cheminée existant par un ramoneur qualifié avant de procéder à l'installation de votre poêle à granulés.
2. Vous trouverez ci-dessous des exemples d'installations utilisant le numéro de pièce 860001, transition de 3 à 6 pouces vers un tuyau de connecteur de 6 po les illustrations ci-dessous ne sont que des exemples. Veuillez confirmer à tous les codes du bâtiment locaux ou réglementations ayant compétence avant de demander à un installateur qualifié de procéder à cette installation.

ATTENTION:
SI VOUS INSTALLEZ VOTRE POÊLE À GRANULÉS EN REMPLACEMENT D'UN POÊLE À BOIS EXISTANT, VOUS POUVEZ INSTALLER VOTRE POÊLE À GRANULÉS EN UTILISANT LE SYSTÈME DE VENTILATION DE 6 PO EXISTANT.

VENTILER VOTRE POÊLE À GRANULÉS DANS UN SYSTÈME DE CHEMINÉE EXISTANT DE 6 PO

1. Marquez la zone, puis coupez le mur pour l'installation de l'évent si nécessaire.
2. Installez le coupe-feu mural tel que spécifié par le fabricant. (coupe-feu mural vendu séparément)
3. Installez la ventilation.

ATTENTION:
VOUS POUVEZ SOUHAITER LOCALISER TOUT UTILITAIRE OU OBSTACLE À L'INTÉRIEUR DU MUR AVANT DE TENTER CETTE INSTALLATION. ASSUREZ-VOUS DE GARDER À L'ESPRIT LES EXIGENCES DE DÉGAGEMENT DE VOTRE APPAREIL.



A. Dégagement minimum 4 pi (1,22 m) sous ou à côté de

toute porte ou fenêtre ouvrante.

B. Dégagement minimum de 1 pi (0,3 m) au-dessus de toute

porte ou fenêtre ouvrante.

C. Dégagement minimum de 3 pi (0,91 m) de tout bâtiment

adjacent.

D. Dégagement minimum de 7 pi (2,13 m) au-dessus de tout

passage public.

E. Dégagement minimum de 2 pi (0,61 m) au-dessus de toute

plante, herbe ou autre matériau combustible.

F. Dégagement minimum de 3 pi (0,91 m) autour de l'entrée

d'air forcée de tout appareil.

G. Dégagement minimum de 2 pi (0,61 m) sous les avancées

de toiture ou surplombs.

H. Dégagement minimum de 1 pi (0,3 m) à l'horizontale de

tout mur en matériau combustible.

I. Doit se trouver au minimum à 3 pi (0,91 m) au-dessus du

toit et à 2 pi (0,61 m) au-dessus de toute fatière du toit

située à moins de 10 pi (3,05 m).

INSTALLATION AU TRAVERS DU MUR (INSTALLATION RECOMMANDÉE)

Au Canada, l'installation doit être conforme à la norme CAN/

GSA-B365. Pour évacuer l'appareil par le mur, raccordez

l'adaptateur de tuyau à l'adaptateur d'échappement du moteur.

Si l'adaptateur d'échappement se trouve à 18 po (762 mm) au

moins au-dessus du sol, il est possible de traverser le mur avec

une section droite de conduit d'évacuation pour poêle à granulés.

Le concessionnaire revendeur du poêle devrait pouvoir vous

fournir un kit adapté à la plupart des cas pour cette installation,

dont une bague murale permettant de préserver le dégagement

nécessaire dans un mur en matériau combustible. Une fois à

l'extérieur de la structure, un dégagement de 3 po (76 mm) doit

être conservé par rapport au mur extérieur et un T de nettoyage

doit être placé sur le tuyau selon un angle de 90 degrés en

s'éloignant de la maison. Puis une section de tuyau d'au moins

3 pi (0,91 m) doit être ajoutée, avec un chapeau horizontal

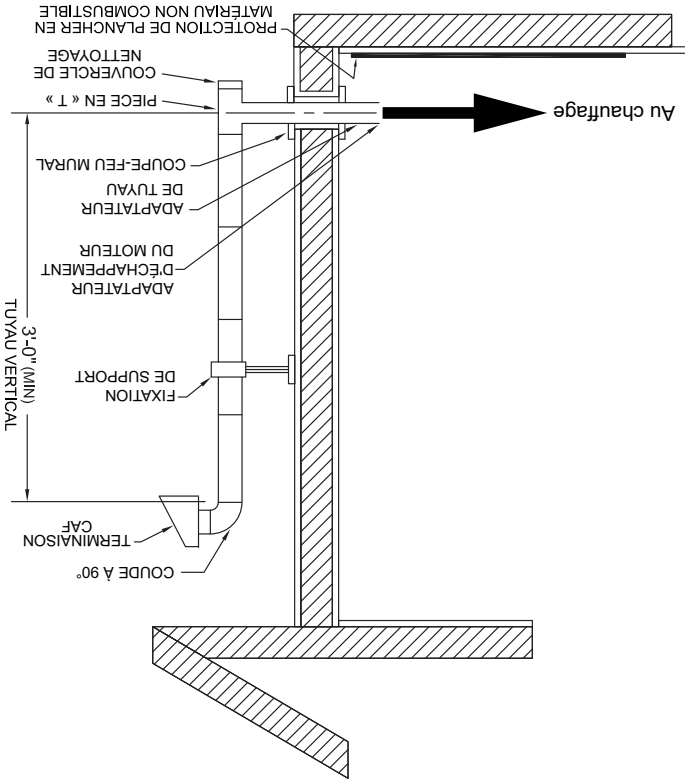
pour achever l'installation. Un support doit être placé juste au-

dessous du chapeau de sorte, ou à raison d'un support tous les

4 pi (1,22 m) pour rendre le système plus stable. Si vous vivez

dans une région où la neige est abondante, il est recommandé

INSTALLATION PAR LE TOIT/LE PLAFOND



que la sortie de l'installation se trouve à plus de 3 pi (0,91 m) pour échapper à la ligne de congère. Cette même installation peut être utilisée si le poêle se trouve sous le niveau du sol en ajoutant simplement la section de nettoyage et un tuyau vertical à l'intérieur jusqu'au niveau du sol. Avec cette installation, il faut tenir compte de la ligne de congère, des herbes et des feuilles mortes. Nous recommandons une élévation verticale minimum de 3 pi (0,91m) à l'intérieur ou à l'extérieur de la maison. L'installation « à travers le mur » est la moins chère et la plus simple. Ne jamais placer la sortie d'évacuation sous une terrasse, dans une alcôve, sous une fenêtre ou entre deux fenêtres. Nous recommandons les kits Simpson Dura-Vent® ou Metal-Fab®.

- En cas d'évacuation des fumées du poêle par le plafond, le tuyau est raccordé comme pour l'évacuation par le mur, mais le T de nettoyage est toujours à l'intérieur de la maison et un adaptateur de 3 po (76 mm) est ajouté avant le T de nettoyage.
- Vous devez toujours utiliser les brides de support de plafond et le solin de toit adaptés (fournis par le fabricant de conduits; suivez les instructions du fabricant). Il est important de noter que si la longueur de tuyau vertical est supérieure à 12 pi (3,7 m), la taille du conduit d'évacuation pour poêle à granulés doit être de 4 po (102 mm) de diamètre.
- Ne dépassez pas 4 pi (1,22 m) de longueur horizontale de tuyau et utilisez le moins de coudes possible. S'il est nécessaire de décaler l'axe du tuyau, il est préférable d'installer des coudes à 45 degrés plutôt qu'à 90 degrés.

type B ni de tuyaux galvanisés avec cet appareil. Le conduit d'évacuation pour poêle à granulés est conçu pour être démonté aux fins de nettoyage et doit être vérifié plusieurs fois au cours de la saison de chauffage. Le conduit d'évacuation pour poêle à granulés n'est pas fourni avec l'appareil et doit être acheté séparément.

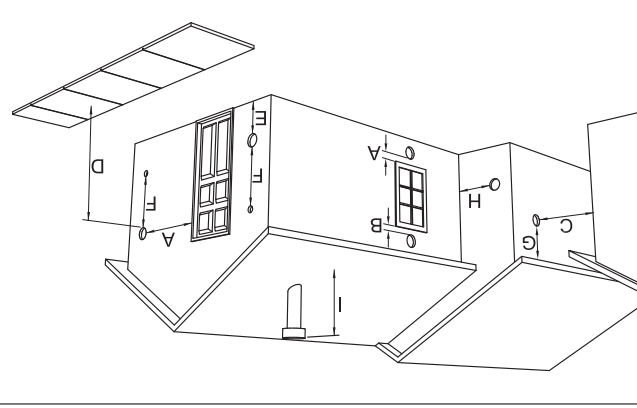
INSTALLATION DE L'ÉVACUATION POUR POÊLE À GRANULÉS

L'installation doit comprendre un T de nettoyage pour permettre la collecte des cendres volantes et le nettoyage périodique du système d'évacuation des fumées. Les coudes à 90 degrés accumulent les cendres volantes et la suie, réduisant par là même le débit de l'évacuation et les performances du poêle. Chaque coude ou T réduit le potentiel de tirage de 30 à 50 %. Tous les raccords du système d'évacuation doivent être fixés par au moins 3 vis, et scellés avec une colle de silicone RTV haute température pour les rendre étanches à l'air. La zone où le conduit d'évacuation sort de la maison doit être scellée au silicone ou un autre moyen pour préserver le pare-vapeur entre l'extérieur et l'intérieur de la maison. Les surfaces d'évacuation peuvent devenir assez chaudes pour provoquer des brûlures si des enfants venaient à y toucher. Un blindage ou des protections non combustibles peuvent s'avérer nécessaires.

SORTIE DE L'ÉVACUATION POUR POÊLE A GRANULÉS

Ne pas faire sortir l'évacuation dans un endroit clos ou semi-clos, tel qu'un abri pour voiture, garage, grenier, vide sanitaire, sous une terrasse ou un porche, dans un passage étroit ou tout autre endroit susceptible de permettre à la fumée de s'accumuler. La sortie dans un endroit de ce type peut aussi provoquer des conditions de pression impossibles à prévoir pour l'appareil, et entraîner de mauvaises performances et/ou un dysfonctionnement. La sortie doit s'évacuer plus haut que l'entrée d'air extérieur. La sortie ne doit pas être placée là où elle pourrait être obstruée par la neige ou d'autres matériaux. Ne faites pas sortir l'évacuation dans une cheminée en acier ou en maçonnerie existante.

DEGAGEMENTS POUR LA SORTIE D'ÉVACUATION



IMPORTANT:

CET APPAREIL EST ÉQUIPÉ D'UN SYSTÈME À TIRAGE NÉGATIF QUI ASPIRE L'AIR À TRAVERS LE POT DE COMBUSTION ET Pousse L'ÉCHAPPEMENT HORS DU LOGEMENT. SI CET APPAREIL EST CONNECTÉ À UN SYSTÈME DE CHEMINÉE AUTRE QUE CELUI DÉCRIT DANS CE MANUEL, IL NE FONCTIONNERA PAS CORRECTEMENT.

DISTANCE D'ÉVACUATION MAXIMALE

L'installation DOIT comporter au moins 3 pi (91 cm) de conduit vertical hors de la maison. Ceci crée un appel d'air naturel qui limite le risque de fumée ou d'odeur lors de l'arrêt de l'appareil et évite que l'évacuation ne provoque des nuisances et un danger en exposant les personnes ou les bûissons à des températures élevées. La hauteur verticale recommandée pour l'évacuation des fumées est de 12 pi (3,66 m) pour une évacuation de type « PL » de 3 po (76 mm). La longueur totale de l'évacuation horizontale NE DOIT PAS dépasser 4 pi (1,22 m). Ceci pourrait provoquer une contre-pression. N'utilisez pas plus de 180 degrés de coudagage (deux coudes à 90 degrés, ou deux coudes à 45 degrés et un coude à 90 degrés, etc.) pour conserver un tirage adéquat.

IMPORTANT DU PROJET CORRECTE

Le tirage est la force qui déplace l'air de l'appareil à travers la cheminée. Le montant du projet dans votre cheminée dépend de la longueur de la cheminée, la géographie locale, les observations avoisinantes et d'autres facteurs. Trop projet peut causer des températures excessives dans l'appareil. Un tirage inadéquat peut provoquer un retour de fumée dans la pièce et «brancher» de la cheminée. Un tirage inadéquat entraînera l'appareil à une fuite de fumée dans la pièce par appareil et le connecteur de cheminée joints. Une combustion incontrôlable ou une température excessive indique un tirage excessif. Prendre en compte l'emplacement de la cheminée pour assurer qu'il ne soit pas trop proche de voisins ou dans une vallée qui peut causer des conditions insalubres ou nuisibles.

TYPE D'ÉVACUATION POUR POÊLE A GRANULÉS

Utilisez pour l'installation un système d'évacuation pour poêle à granulés de type « PL » de 3 ou 4 po. (76 à 102 mm) homologué UL et fixez-le au raccord de tube installé à l'arrière du poêle (utilisez un adaptateur de 3 ou 4 po. pour un tuyau de 4 po.). Le raccord à l'arrière du poêle doit être étanchéifié avec du RTV haute température (composé de caoutchouc de silicone résistant aux variations de température). Utilisez une évacuation de 4 po. si sa hauteur doit dépasser 12 pi. (3,66 m) ou si l'installation se trouve à plus de 2 500 pi. (762 m) d'altitude.

Nous recommandons l'utilisation de conduits Simpson Dura-Vent® ou Metal-Fab® (si vous utilisez d'autres tuyaux, consultez les codes de construction locaux et/ou les inspecteurs en bâtiment). N'utilisez pas de tuyaux d'évacuation de gaz de

ALIMENTATION EN AIR EXTÉRIEUR (EN OPTION, SAUF SI INSTALLÉ DANS UNE MAISONS MOBILES / BÂTIMENTS PORTATIF)

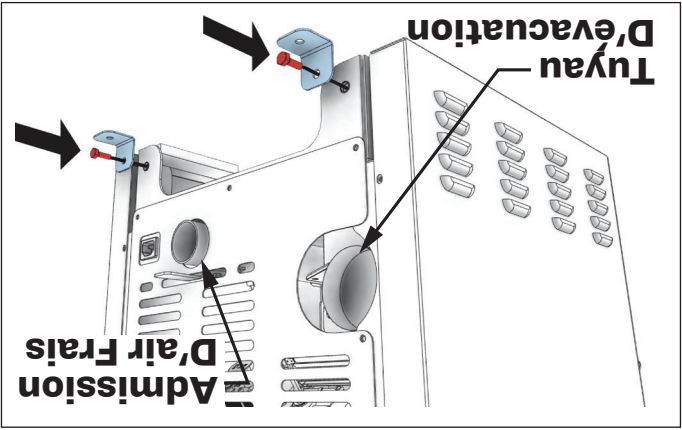
Selon votre emplacement et la construction de votre maison, l'air extérieur peut être nécessaire pour une performance optimale. Votre poêle est homologué pour être installé avec une prise d'air extérieur (69FAK) nécessaire pour une maisons mobiles / bâtiments portatif. Vous pouvez acheter le 69FAK auprès de votre revendeur d'appareils de chauffage. Les instructions d'installation sont fournies avec le kit d'admission d'air.

ATTENTION:

NE PAS VENTILER SOUS UNE PORCHE, UNE PONT, UN AUVENT OU DANS TOUTE ZONE SEMI-CLOS OU TOIT. LE FAIRE PEUT ENTRAÎNER UN FLUX D'AIR IMPRÉVISIBLE AU BOUCHON D'ÉVENT DANS CERTAINES CONDITIONS ET PEUT AFFECTER LES PERFORMANCES DE VOTRE POÊLE, AINSI QUE D'AUTRES PROBLÈMES IN PRÉVISIBLES.

FIXATION DE L'APPAREIL AU SOL

Utilisez les trous désignés pour fixer l'unité au sol.



AVERTISSEMENT ! - N'INSTALLEZ PAS L'APPAREIL DANS UNE CHAMBRE A COUCHER

ATTENTION ! - L'INTÉGRITÉ STRUCTURELLE DU PLANCHER DE LA MAISONS MOBILES / BÂTIMENTS PORTATIF, DES MURS ET DU TOIT DOIT ÊTRE PRÉSERVÉE.

ENCAS D'INSTALLATION DANS UNE MAISONS MOBILES / BÂTIMENTS PORTATIF, LE POÊLE DOIT ÊTRE MIS À LA TERRE DIRECTEMENT SUR LE CHÂSSIS D'ACIER ET BOULONNÉ AU SOL.

Outre les critères d'installations détaillés ci-dessus, l'installation dans une maisons mobiles / bâtiments portatif soit satisfaisaire aux conditions suivantes:

- L'appareil doit être fixé au sol à l'aide des tire-fond dans les trous prévus à cet effet dans le socle.

- Le poêle doit être mis à la terre sur le châssis d'acier de la maisons mobiles / bâtiments portatif en utilisant un fil de cuivre de 8 GA avec une rondelle striée ou en étoile pour attaquer la peinture ou le revêtement protecteur afin d'assurer la mise à la masse.
- L'évacuation doit être de type « PL » de 3 ou 4 po. (76 ou 101 mm) et doit dépasser d'au moins 36 po. (914 mm) au-dessus de la fatière de la maisons mobiles / bâtiments portatif; elle doit être installée avec un pare-feu de plafond et un chapeau anti-pluie homologués UL.
- En cas de déplacement de la maisons mobiles / bâtiments portatif, toutes les sorties extérieures doivent être déposées pendant ce déplacement. Après la réimplantation, toutes les sorties extérieures doivent être réinstallées et refixées.
- Une prise d'air extérieur est obligatoire pour l'installation dans une maisons mobiles / bâtiments portatif. Consultez la section Admission d'air extérieur et votre concessionnaire pour l'achat.
- Vérifiez auprès de votre municipalité si d'autres codes sont applicables.

EXIGENCES POUR L'ÉVACUATION

Un adaptateur d'appareil compatible est requis pour l'installation correcte de la ventilation de cet appareil. Achetez l'adaptateur d'appareil approprié auprès de votre entreprise de ventilation préférée avant de commencer le processus de ventilation.



AVERTISSEMENT:

- **INSTALLEZ L'ÉVACUATION DES FUMÉES EN RESPECTANT LES DÉGAGEMENTS SPÉCIFIÉS PAR LE FABRICANT D'ÉVACUATIONS.**
- **NE RELIEZ PAS L'ÉVACUATION POUR POÊLE À GRANULÉS À UNE ÉVACUATION UTILISÉE POUR UN AUTRE APPAREIL OU UN AUTRE POÊLE.**
- **N'INSTALLEZ PAS DE REGISTRE DE TIRAGE SUR LE SYSTÈME D'ÉVACUATION DE CET APPAREIL.**

Les directives d'installation ci-dessus doivent être respectées pour garantir la conformité tant avec la liste de sécurité de ce poêle qu'avec les codes de construction locaux. Ne pas recourir à des méthodes de fortune ou à des compromis lors de l'installation.

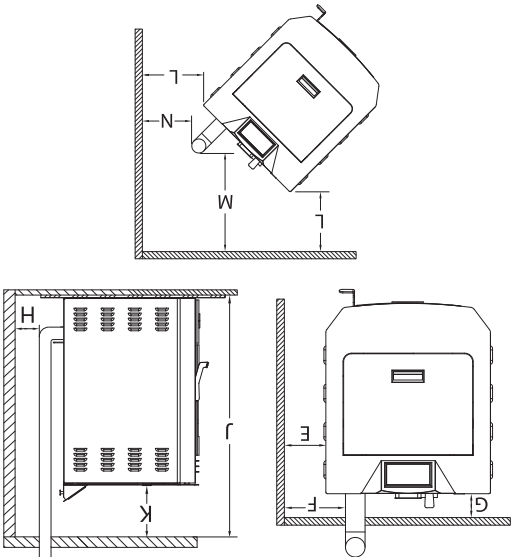
POUR LE SERVICE À LA CLIENTÈLE APPELER: 800-750-2723 EXT 5050

| | mm | po | | | |
|---|-----|----|-------|---------------------|----|
| A | 26 | 1 | U.S.A | Retour à Cuisinière | 8 |
| | 204 | 8 | CAN | | |
| B | 153 | 6 | U.S.A | Côté poêle | 8 |
| | 204 | 8 | CAN | | |
| C | 153 | 6 | U.S.A | De l'avant au poêle | 18 |
| | 458 | 18 | CAN | | |
| D | 51 | 2 | | Retour à Flue | |

DÉGAGEMENTS

Votre poêle à granules a été testé et répertorié pour une installation dans une maison résidentielle et mobile conformément aux dégagements indiqués ci-dessous. Pour des raisons de sécurité, veuillez respecter les dégagements et restrictions d'installation. Toute réduction du jeu aux combustibles ne peut être effectuée que par des moyens approuvés par une autorité réglementaire.

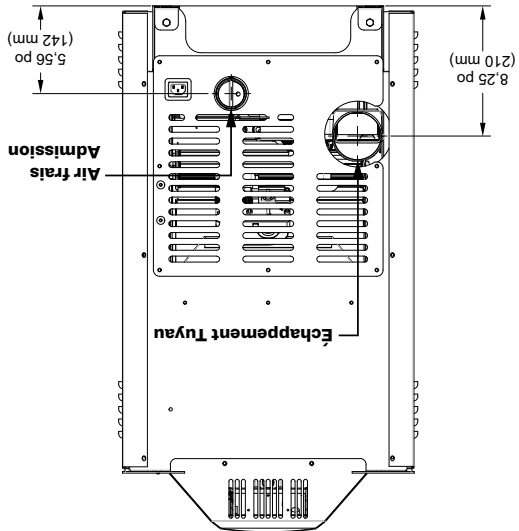
| | mm | po | |
|---|------|--------|--|
| E | 204 | 8 | Mur latéral au poêle |
| F | 254 | 10 | Mur latéral au tuyau de PL ventilation |
| G | 235 | 9,25 | Mur arrière au poêle |
| H | 76 | 3 | Mur arrière au tuyau de PL ventilation |
| J | 1524 | 60 | Du plafond au sol |
| K | 699 | 27,5 | Plafond au poêle |
| L | 191 | 7-1/2 | Mur latéral au poêle |
| M | 286 | 11-1/4 | Mur latéral au tuyau de PL ventilation |
| N | 191 | 7-1/2 | Mur arrière au tuyau de PL ventilation |



EMPLACEMENTS D'ADMISSION ET D'ÉCHAPPEMENT D'AIR

L'utilisation d'autres composants autres que ceux indiqués dans le présent document pourrait causer des blessures corporelles, des dommages au radiateur et annuler votre garantie. Le fabricant ne sera pas tenu responsable des dommages causés par le dysfonctionnement d'un poêle en raison d'une ventilation ou d'une installation incorrecte.

INSTALLATION INCORRECTE

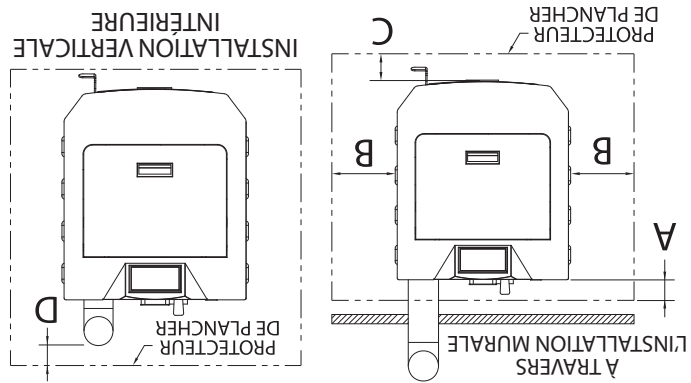


PROTECTION DES SOLS

Cet appareil de chauffage doit avoir un protecteur de plancher incombustible (protection contre les braises UL1618) installé en dessous si le plancher est en matériau combustible.

États-Unis - Le protecteur de plancher doit également être homologué UL ou équivalent, doit s'étendre de 6 po (153mm) à l'avant, de 6 po (153mm) de chaque côté, de 1 pouce à l'arrière de l'unité. Sous et 2 po (51mm) au-delà de chaque côté de nettoyage si une installation verticale intérieure.

Canada - Le protecteur de plancher doit être conforme aux normes CAN / ULC. Doit s'étendre de 18 po (458mm) vers l'avant, 8 po (204mm) au-delà de chaque côté de l'unité.



AVIS DE SÉCURITÉ

- SI CE POÊLE N'EST PAS INSTALLÉ CORRECTEMENT, UN INCENDIE PEUT EN RÉSULTER. POUR RÉDUIRE LES RISQUES D'INCENDIE, SUIVEZ LES INSTRUCTIONS D'INSTALLATION.

- ADRESSEZ-VOUS AUX AUTORITÉS LOCALES DE L'URBANISME POUR OBTENIR UN PERMIS ET DES RENSEIGNEMENTS SUR TOUTE AUTRE RESTRICTION À L'INSTALLATION ET SUR LES EXIGENCES D'INSPECTION DANS VOTRE RÉGION.

- NE PLACEZ AUCUN VÊTEMENT OU AUTRE OBJET INFLAMMABLE SUR OU PRÈS DU POÊLE.
- N'UTILISEZ JAMAIS D'ESSENCE, DE COMBUSTIBLE À LANTERNE DE TYPE ESSENCE, DE KÉROSÈNE, D'ESSENCE D'ALLUME-FEU OU D'AUTRES LIQUIDES SIMILAIRES POUR ALLUMER OU RAVIVER LE FEU DANS CE POÊLE. GARDEZ TOUS CES LIQUIDES ÉLOIGNÉS DU POÊLE LORSQU'IL EST EN MARCHÉ.

- CET APPAREIL EST UN APPAREIL DE CHAUFFAGE AUTONOME. IL N'EST PAS CONÇU POUR ÊTRE RELIÉ À DES CONDUITS DE DISTRIBUTION D'AIR. CE N'EST PAS UN FOURNEAU.
- INSTALLER L'ÉVENT AUX DÉGAGEMENTS SPÉCIFIÉS PAR LE FABRICANT DE L'ÉVENT.

- N'INSTALLEZ PAS DE REGISTRE DE TIRAGE SUR LE SYSTÈME D'ÉVACUATION DE CET APPAREIL.

- CE POÊLE DOIT ÊTRE RÉGULIÈREMENT ENTRETENU ET NETTOYÉ (VOIR LA SECTION « ENTRETIEN »). LE DÉFAUT D'ENTRETIEN DU POÊLE PEUT ENTRAÎNER UN FONCTIONNEMENT INAPPROPRIÉ ET DANGEREUX.

- UN DISJONCTEUR DOIT ÊTRE INSTALLÉ. CET APPAREIL DOIT ÊTRE BRANCHÉ SUR UNE PRISE MURALE AVEC TERRE DE 110-120 V, 60 Z. N'UTILISEZ PAS D'ADAPTATEUR DE PRISE ET NE COUPEZ PAS LA FICHE DE TERRE. N'ACHEMINEZ PAS LE CORDON ÉLECTRIQUE SOUS, DEVANT OU SUR LE POÊLE. NE FAITES PAS COURIR LE CORDON ÉLECTRIQUE DANS LES ZONES DE PASSAGE ET NE LE COINCEZ PAS SOUS LES MEUBLES.

ATTENTION:

ATTENTION: LA COMBUSTION DU COMBUSTIBLE GÉNÈRE DU MONOXYDE DE CARBONE QUI PEUT SAVERER DANGEREUX POUR LA SANTÉ EN L'ABSENCE D'UNE VENTILATION APPROPRIÉE.

ATTENTION:

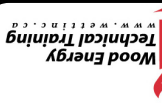
- UN DÉTECTEUR DE FUMÉE FONCTIONNEL DOIT ÊTRE INSTALLÉ DANS LA PIÈCE OÙ SE TROUVE LE POÊLE.
- INSTALLEZ UN DÉTECTEUR DE FUMÉE À CHAQUE ÉTAGE DE VOTRE MAISON; EN CAS D'INCENDIE ACCIDENTEL DÙ À N'IMPORTE QUELLE CAUSE, CE DISPOSITIF PEUT LAISSER LE TEMPS DE S'ÉCHAPPER.
- LE DÉTECTEUR DE FUMÉE DOIT ÊTRE INSTALLÉ À AU MOINS 15 PIEDS (4,57 M) DE L'APPAREIL AFIN D'ÉVITER QU'IL NE SE DÉCLENCHE INUTILEMENT LORS DU RECHARGEMENT DU POÊLE.

ATTENTION:

- L'UTILISATION D'AIR EXTÉRIEUR N'EST PAS NÉCESSAIRE POUR CET APPAREIL.
- NE DÉBRANCHEZ PAS LE POÊLE SI VOUS SOUÇONNEZ UN DYSFONCTIONNEMENT. PLACEZ LE CONTACTEUR ON/OFF SUR « OFF » PUIS PRENEZ CONTACT AVEC LE CONCESSIONNAIRE.
- LE POÊLE NE FONCTIONNE PAS PENDANT LES COUPURES DE COURANT. EN CAS DE PANNE DE COURANT, VEILLEZ AUX ÉMANATIONS DE FUMÉE DU POÊLE ET OUVEREZ UNE FENÊTRE SI LA FUMÉE SE RÉPAND DANS LA PIÈCE.
- N'OBSTREUEZ JAMAIS LA CIRCULATION DE L'AIR DES GRILLES D'AÉRATION OUVERTES DE L'APPAREIL.



NATIONAL FIREPLACE INSTITUTE
 Nous recommandons que nos produits de foyer à bois soient installés et entretenus par des professionnels certifiés aux États-Unis par le National Fireplace Institute (NFI) en tant que spécialiste du chauffage au bois NFI ou certifiés au Canada par le programme de formation technique en énergie certifié **CERTIFIÉ** www.nficertified.org du bois (WETT).



Votre appareil de chauffage doit être installé par un technicien qualifié NFI (États-Unis) ou WETT (Canada). Pour trouver l'installateur qualifié le plus proche, rendez-vous sur :

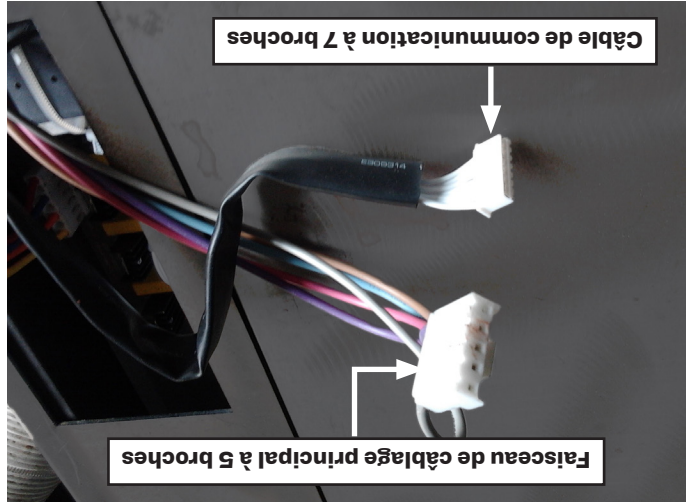
<https://nficertified.org>

<https://www.wettinc.ca/>

POUR LE SERVICE À LA CLIENTÈLE APPELER: 800-750-2723 EXT 5050

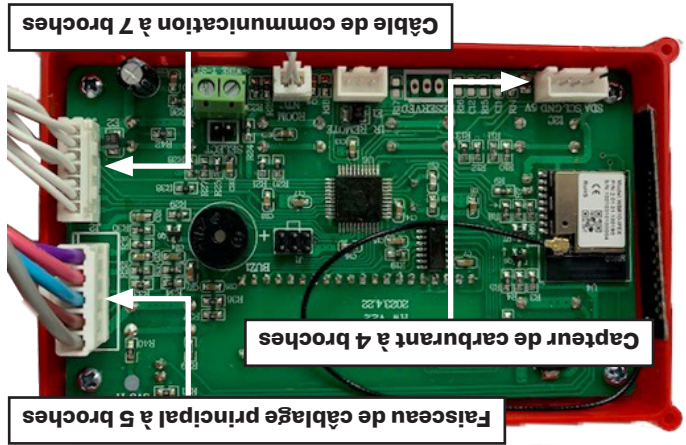
INSTALLATION DU SUPPORT DE COMMANDE SUPÉRIEUR

1. Tirez le faisceau de câbles principal à 5 broches, le câble de communication à 7 broches, le faisceau de câbles à 4 broches installés en usine (non illustrés) hors du haut du poêle.

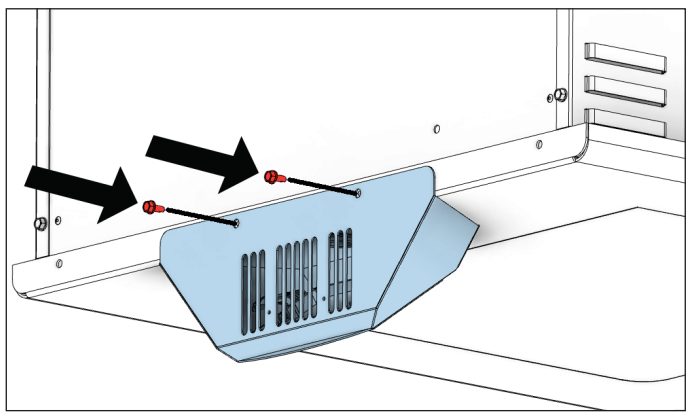
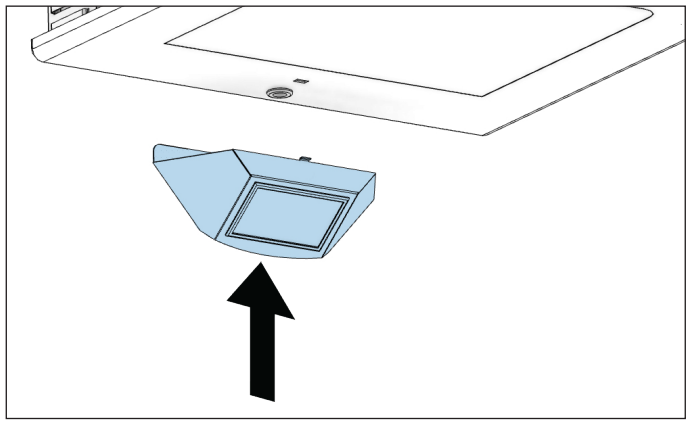


2. Déballiez les commandes montées sur le dessus et assurez-vous que tous les fils sont solidement fixés.

3. Connectez le faisceau de câbles principal à 5 broches installé en usine au coin supérieur droit du panneau de commande. Connectez le câble Com à 7 broches installé en usine au panneau de commande directement sous le faisceau de câbles à 4 broches au coin inférieur gauche du panneau de commande.



4. Fixez le panneau de commande sur le dessus du poêle avec deux vis à tête.



Votre poêle à bois ne doit être installé que par un installateur qualifié NFI est disponible à l'adresse www.nficertified.org/public/find-an-nfi-pro/

SERVICE CLIENTS

1-800-750-2723 poste 5050

Texte au 423-301-5624

E-mail à: customerservice@usstove.com

LISTE DE CONTRÔLE DE MISE EN SERVICE

Cette liste de contrôle doit être remplie intégralement par la personne qualifiée qui installe cet appareil. Conservez cette page pour référence future.

Le fait de ne pas installer et mettre en service selon les instructions du fabricant et de remplir cette liste de contrôle annulera la garantie.

S'il te plaît imprime

| | | | |
|-----------------------------------|--|----------------------|--|
| Nom du client: | | Numéro de téléphone: | |
| Adresse: | | | |
| Modèle: | | | |
| Numéro de série: | | | |
| Nom de la société d'installation: | | Numéro de téléphone: | |
| Nom du technicien d'installation: | | Numéro de licence: | |

DESCRIPTION DU TRAVAIL

Emplacement de l'appareil installé: _____

Système de ventilation: nouveau système de ventilation Oui Non Si oui, marque _____

Si non, date d'inspection du système de ventilation existant: _____

MISE EN SERVICE

Confirmer l'installation du tapis de foyer conformément aux instructions d'installation

Confirmer le bon placement des pièces internes

Vérifier la solidité du joint de porte et des joints de porte

Confirmer les dégagements aux combustibles selon les instructions d'installation de ce manuel

Vérifier le fonctionnement des commandes pneumatiques

Confirmez que le système de ventilation est sécurisé et scellé

Confirmer que le poêle démarre et fonctionne correctement

Assurez-vous qu'un avertisseur de CO est installé conformément aux codes du bâtiment locaux et qu'il est fonctionnel

Expliquer le fonctionnement en toute sécurité, l'utilisation appropriée du carburant, le nettoyage et les exigences d'entretien de routine

Déclaration d'achèvement: En tant que personne qualifiée responsable des travaux décrits ci-dessus, je confirme que l'appareil en tant que travail associé a été installé selon les instructions du fabricant et en suivant les codes de construction et d'installation applicables.

Signé: _____

Nom en lettres moulées: _____

Date: _____

Propriétaire du domicile: CONSERVEZ CETTE INFORMATION POUR RÉFÉRENCE FUTURE



Remarque: Enregistrez votre produit en utilisant votre téléphone intelligent avec le code QR. Conservez vos reçus avec vos dossiers pour toute réclamation au titre de la garantie. Vous pouvez également enregistrer votre produit en ligne sur www.usstove.com/support/product-registration / OU en téléchargeant l'application US Stove Company disponible pour iOS et Android.

customer.service@usstove.com

Écrivez-nous à :

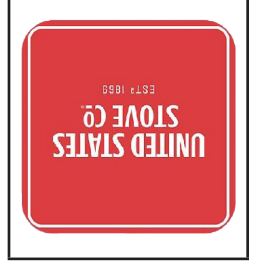
Texte au 423-301-5624 ou :

1-800-750-2723 poste 5050 ou :

Pour le service client, veuillez appeler :



Remarque: Pour activer la connectivité WiFi! ou Bluetooth® pour votre poêle, téléchargez l'application US Stove Co. L'application US Stove Co. vous permet de faire fonctionner et de surveiller votre poêle. L'application est disponible pour iOS et Android et peut être trouvée en recherchant ce qui suit : US Stove Company Heating Made Simple.



IL EST CONTRAIRE À LA RÉGLEMENTATION FÉDÉRALE D'UTILISER CE POÊLE À BOIS D'UNE MANIÈRE INCOMPATIBLE AVEC LES INSTRUCTIONS D'UTILISATION DU MANUEL DU PROPRIÉTAIRE.

AVERTISSEMENT:

| Caractéristiques de chauffage | |
|---|--|
| Taux de combustion du combustible* (à bas régime) | 1.65 lbs./hr. (0.75 kg/hr) |
| Temps de combustion (à bas régime) | 30 hrs. (approximate) |
| Capacité de la trémie* | jusqu'à 50 lbs. (22.7 kg) |
| Flue Taille | 3 po ou 4 po |
| Caractéristiques électriques | |
| Puissance électrique | 110-120 volts ac, 60 HZ, 3.0 Amps |
| Watts (en fonctionnement) | 125 |
| Watts (allumeur en fonctionnement) | 310 |
| Dimensions | |
| Hors tout: Hauteur x Largeur x Profondeur | 33-3/8 po (848 mm) x 19 po (482 mm) x 23 po (585 mm) |
| Du sol au centre du tuyau d'échappement | 8,25 po (210 mm) |
| Du sol au centre d'admission d'air frais | 5,56 po (142 mm) |

Votre poêle à granules a été approuvé pour une installation aux États-Unis et au Canada. Il peut également être installé dans une maison préfabriquée ou mobile / bâtiment transportable. Votre poêle est certifié ASTM E1509-2022 et certifié CAN/U/LC S627:2023. Ce manuel décrit l'installation et le fonctionnement du poêle à bois U.S. Stove, US5513-W. Cet appareil de chauffage respecte les limites d'émission de bois de lit de l'Agence américaine de protection de l'environnement 2020 pour les appareils de chauffage au bois vendus après le 15 mai 2020. Dans des conditions de test spécifiques, il a été démontré que cet appareil de chauffage fournit de la chaleur à des taux allant de 10 609 à 24 676 Btu/h. Cet appareil de chauffage a atteint un taux d'émission de particules de 1,5 g/h lorsqu'il a été testé selon la méthode ASTM E2779-10 (*et une efficacité de 76 %).

Manuel d'instructions et d'utilisation du propriétaire



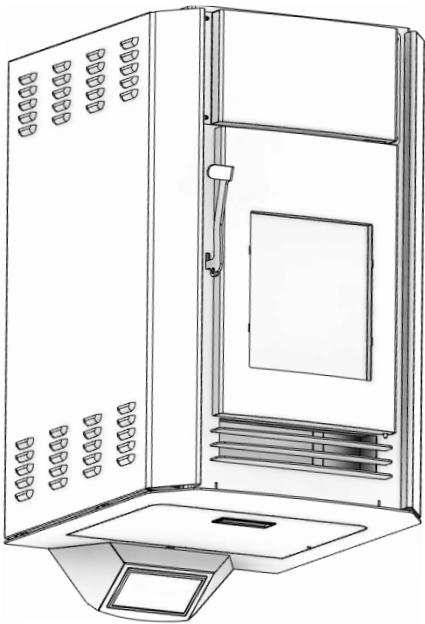
Numéro De Modèle:
US5513-W



Rapport #: F22-771

Certifié selon ASTM E1509-2022 et Certifié CAN/
ULC S627:2023; Conforme à CAN ICES-3(B)/
NMB-3(B); Contient IC:23243-WBR1DIPEX
Maisons Mobiles / Bâtiments Portatif approuvé

* Toutes les images de ce manuel sont à des fins d'illustration uniquement. Le produit réel peut varier.



Conservez ces instructions dans un endroit sûr pour référence ultérieure.



AVIS DE SÉCURITÉ: Si ce radiateur n'est pas correctement installé, un incendie peut en résulter. Pour votre sécurité, suivez les instructions d'installation. N'utilisez jamais de compromis de fortune lors de l'installation de ce radiateur. Contactez les responsables locaux du bâtiment ou des pompiers pour connaître les permis, les restrictions et les exigences d'installation dans votre région. **NE JAMAIS UTILISER CE PRODUIT SANS SURVEILLANCE.**



MISE EN GARDE! Veuillez lire l'intégralité de ce manuel avant d'installer ou d'utiliser votre nouveau radiateur. Le non-respect des instructions peut entraîner des dommages matériels, des blessures corporelles ou même la mort. Une installation incorrecte pourrait annuler votre garantie!



AVERTISSEMENT : Avant de démarrer votre poêle à granulés à distance avec le WiFi, il est essentiel de vous assurer que rien n'est appuyé, drapé ou à proximité de votre poêle. Tous les dégagements aux combustibles spécifiés dans votre manuel du propriétaire doivent être maintenus en tout temps. Le non-respect de cet avertissement peut entraîner un incendie et/ou des dommages matériels.

**AGENCE AMÉRICAINE DE PROTECTION
DE L'ENVIRONNEMENT**

Certifié conforme aux normes d'émissions
de particules 2020.

CE MANUEL EST SUJET À MODIFICATION SANS PRÉAVIS.

**AVERTISSEMENT SUR LA PROPOSITION 65 DE LA
CALIFORNIE:**
Ce produit peut vous exposer à des produits chimiques, y compris le monoxyde de carbone, qui est connu dans l'État de Californie pour provoquer le cancer, des anomalies congénitales et / ou d'autres troubles de la reproduction. Pour plus d'informations, visitez www.P65warnings.ca.gov