

**SUPER  
HANDY**

# Multifunctional Air Hose Reel Instruction Manual

---



## **WARNING:**

Read carefully and understand all **INSTRUCTIONS** before operating. Failure to follow the safety rules and other basic safety precautions may result in serious personal injury. Save these instructions in a safe place and on hand so that they can be read when required. Keep these instructions to assist in future servicing.

---

# SUPER HANDY

## GENERAL SAFETY REGULATIONS

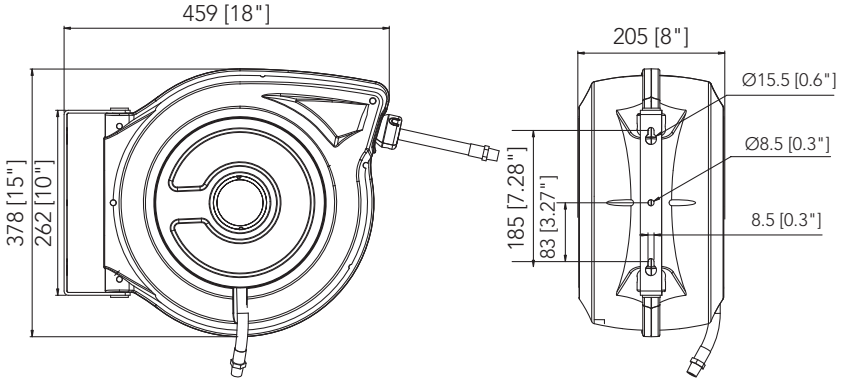


**WARNING:** The warnings, cautions, and instructions discussed in this instruction manual cannot cover all possible conditions or situations that could occur. It must be understood by the operator that common sense and caution are factors that cannot be built into this product, but must be supplied by the operator.

1. Keep the work area clean and dry. Damp or wet work areas can result in injury.
2. Keep children away from work area. Do not allow children to handle this product.
3. Use the right tool for the job. Do not attempt to force small equipment to do the work of larger industrial equipment. There are certain applications for which this equipment was designed. It will do the job better and more safely at the capacity for which it was intended. Do not modify this equipment, and do not use this equipment for a purpose for which it was not intended.
4. Check for damaged parts. Before using this product, carefully check that it will operate properly and perform its intended function. Check for damaged parts and any other conditions that may affect the operation of this product. Replace damaged or worn parts immediately.
5. Do not overreach. Keep proper footing and balance at all times to prevent tripping, falling, back injury, etc.
6. DO NOT use the equipment when tired or under the influence of drugs, alcohol, or medication. A moment of inattention while operating this equipment may result in serious personal injury.

## TECHNICAL DETAILS

SKU#	Max Pressure	Hose Working Temperature	Hose Capacity			Inlet/Outlet
			Material	I.D.	Length	
GUR020	300Psi (20Bar)	-40°F~-176°F (-40°C~80°C)	Hybrid Polymer	3/8"/9.5mm	50ft/15m	1/4"



Remarks: Stop at any point Slow Retraction  
Spring driven drum: for automatic retractable.  
Locking ratchet: to maintain the desired length of hose in use.

## SAFETY PRECAUTIONS

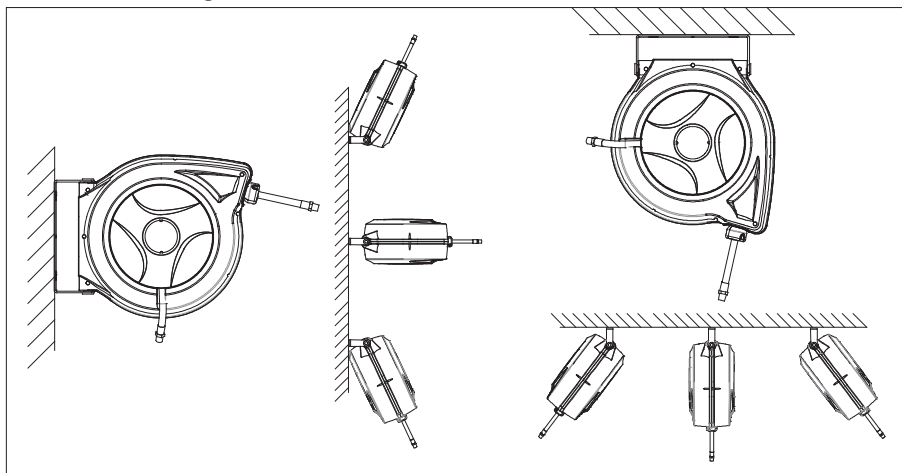
1. Use proper eye protection when assembling and using the hose reel.
2. Keep children away from the work area.
3. Personal injury and/or equipment damage may result if proper safety precautions are not observed.
4. Ensure that reel is properly installed before connecting input and output hoses.
5. Bleed fluid/gas pressure from system before servicing reel.
6. Before connecting reel to supply line ensure that pressure does not exceed maximum working pressure rating of reel.
7. Remember, even low pressure is very dangerous and can cause personal injury or death.
8. If a leak occurs in the hose or reel, remove system pressure immediately.
9. Ensure that reel, hose, and equipment being service are properly grounded.
10. If reel ceases to unwind or rewind, remove system pressure immediately.
11. Do not pull or jerk on hose.

## INSTALLATION OF HOSE REEL

You will need to purchase appropriate hardware for mounting your new reel.

1. For mounting: For air series, Install reel on the wall and ceiling at most 9feet / 3m above the floor. For water series, Install reel on the wall at most 4.5feet / 1.5m above the floor .
2. The reel base has two mounting holes for mounting on a suitable flat surface for air series(four mounting holes for water series). Below figures is a template showing the correct location of the mounting holes in the base.
3. Using the mounting holes in the base, mount the reel in the desired location. Be sure to use appropriate hardware and tighten securely.

## On the wall & ceiling



4. The end of incoming hose can be connected to desired supply source.
5. Outlet fittings on reel hose attach to desired tool, or nozzle. Check connection for leakage, also check hose reel for correct operation. See: Operation section.
6. If hose stopper adjustment is required, pull hose from reel and allow to latch at desired length. Loosen stopper bolts, and slide stopper to a position close to the hose guide. Tighten stopper bolts, and unlatch the reel.

## OPERATION

1. Check reel for correct operation by slowly pulling out the hose.
2. To latch the reel, slowly pull out the hose to any point, Relax the hose to stop. Note: it can not exceed the back end mark When the hose is pulled out,
3. To unlatch the reel, slowly pull the hose after relax, and then let the hose retract until the hose stop rests against the hose guide.  
Note: To avoid damage to the reel, always hold on to the hose while it is rewinding.
4. Periodically check the hose condition for wear or damage, and check the swivel fitting for leakage. Replace any worn, damaged, or leaking parts.

## MAINTENANCE

Make sure the hose is in proper working order.

Clean the hose with a cloth dipped in warm water to remove dirt or deposits and ensure correct rewinding.

Do not use detergents or solvents which could prove incompatible with cable-winder materials. Dismantling of the unit by unskilled personal could prove hazardous; the risk involved mainly concern the preloaded springs.

## LIMITED WARRANTY

1. The manufacturer warrants this hose reel against defects in material and craftsmanship, for a period of 24 months from date of purchase, but not including hose and O-ring parts.
2. Manufacturer's liability is limited to replacement or repair of defective material within the warranty period, when returned freight prepaid to the distributor or their designated service depot.
3. The warranty does not cover damage caused by accident, misuse or faulty installation.
4. The reel must be installed and maintained in compliance with the instructions.



Part No.	Description	Q'ty	Part No.	Description	Q'ty
1	Hose Assembly	1	17	Right casing	1
2	O-Ring	2	18	Baffle	1
3	Gear	1	19	Synchronous belt	1
4	Stop at any point Assembly	1	20	Synchronous wheel	1
5	Screws	1	21	Screws	4
6	Support cover	6	22	Spring	1
7	O-Ring	2	23	Hose Assembly	1
8	Spool	1	24	Guide bar	1
9	Drum	2	25	Slow Retraction assembly	1
10	Fixed pin	2	26	Bumper Block assembly	1
11	Base	1	27	Left shell	1
12	Hose Compositor assembly	1	28	Fixed film	1
13	Screws	8	29	Hose Clamp	1
14	Screws	18	30	Screws	2
15	Label	2	31	Side cover	2
16	Pre tightening cover	1			





Great Circle USA  
Support Line: 1-866-493-0524  
[help@greatcircleus.com](mailto:help@greatcircleus.com)  
[www.greatcircleus.com](http://www.greatcircleus.com)