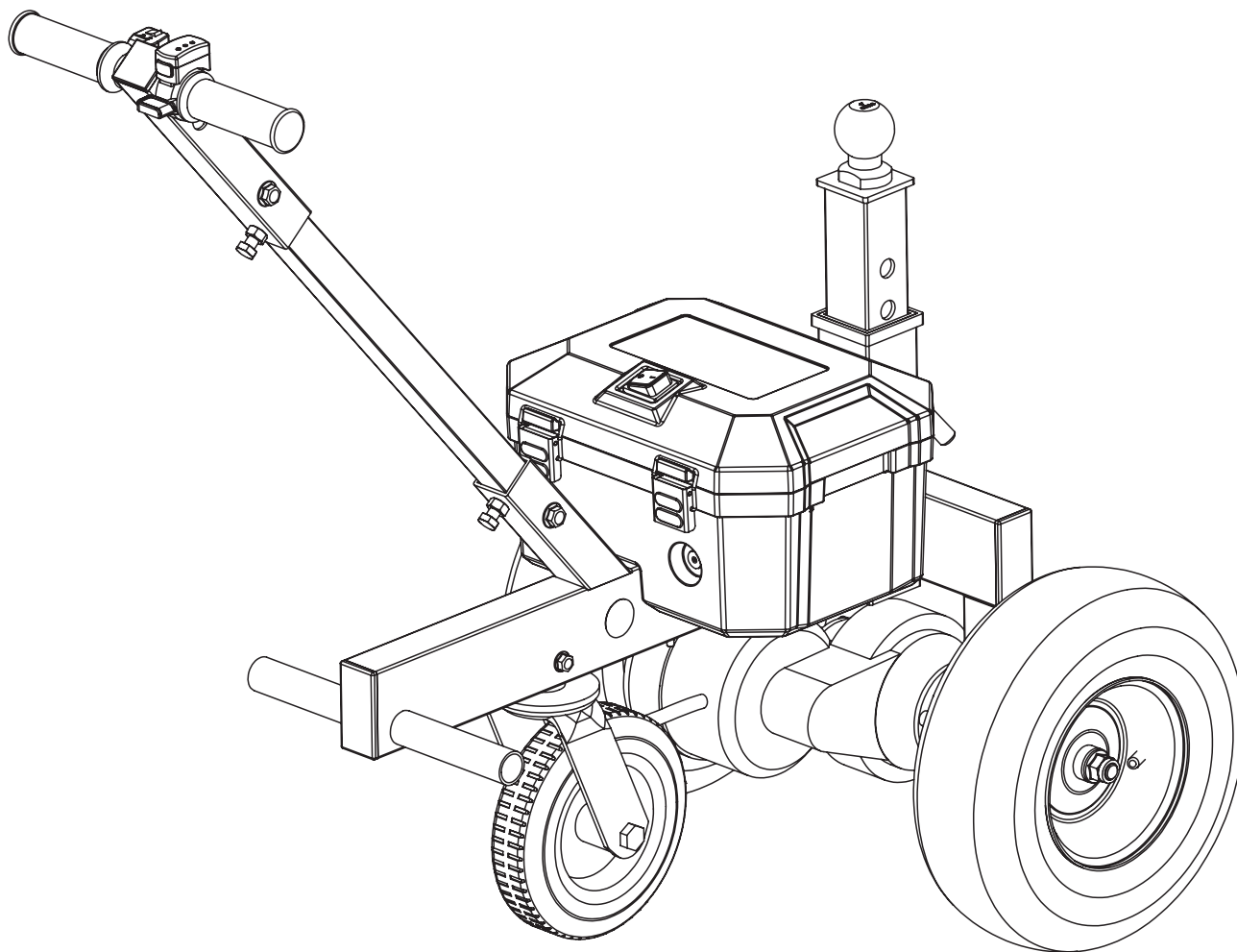




Electric Power Dolly Instruction Manual



LDB01-01



WARNING:

Read carefully and understand all INSTRUCTIONS before operating. Failure to follow the safety rules and other basic safety precautions may result in serious personal injury. Save these instructions in a safe place and on hand so that they can be read when required. Keep these instructions to assist in future servicing.



IMPORTANT SAFEGUARDS

For your own safety, please always follow the following basic precautions when using this product.

WARNING

CHEMICAL AND FIRE HAZARD

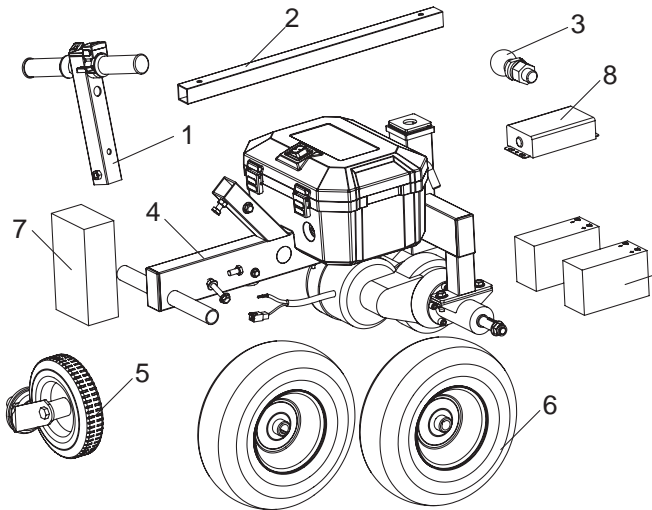
Failure to observe these instructions could lead to serious injury or death.

1. Always Know Your Dolly Take time to fully read the Installation and Operator's Guide, in order to understand your dolly and its operations.
2. Never store battery pack in a tool box or pocket with nails, screws, keys, etc. Shorting of battery terminal may cause fire.
3. Always avoid contact with battery leakage, which may occur under extreme usage or temperature conditions.
4. Always dispose or recycle battery according to local ordinances I regulations.
5. Always protect terminals with insulating tape, prior to disposal, to prevent shorting.
6. Never attempt to disassemble the battery. No use rserviceable parts are inside.
7. Never charge damaged battery packs, replace damaged pack immediately. Battery short or fire may result.
8. Never incinerate the battery pack even If it is severely damaged or is completely worn out.
9. Never operate pulling tool in an environment containing explosive or combustible material.
10. Always remove the battery when the unit is not in use.
12. Never charge damaged battery packs, replace damaged battery pack immediately. Battery short or fire may result.
13. Always use Landworks charger to charge lead-acid battery pack, Other types of batteries may burst causing damage and injury to person.
14. Never operate charger with damaged cord or plug. Replace them immediately.
15. Never use Landworks charger to charge other batteries.
16. Never operate charger if it has received a sharp blow, been dropped or otherwise damaged in any way.
17. Never charge battery in damp or wet environment. Do not cover the charger with clothes or similar items during charging.
18. The use of accessories which not recommended or supplied by the charger manufacturer may present a risk of fire, electric shock or personal injury.
19. Always charge battery at temperatures between 32°F-120°F (0°C-49°).
20. Always store battery at temperatures between 32°F-86°F (0°C-30°C).
21. Always disconnect charger when battery is fully charged.
22. Always charge battery every three months if not in use.
23. Do not exceed the maximum capacity of the towing tool: Trailer weight: 1620kgs / 3600lbs, tongue weight: 270kgs / 600lbs.
24. Make sure the hitch ball and the coupler are locked reliably before towing
25. Always use factory approved mounting hardware, components, and accessories.
26. Do not pull the dolly on the downhill road, always make sure that the traction road is flat, and the slope angle is less than 4 degrees when pulling on the uphill.
27. Do not use power dolly to move people.
28. Do not operate this power dolly under the influence of alcohol or drugs.
29. Be sure to remove any elements or obstacles that may hinder the safe operation of the power dolly.
30. When installing, assembling, repairing or not using the power dolly, be sure to disconnect the power supply of the dolly.
31. Never operate or install the pulling tool without reading or understanding the operator's manual.
32. Never operate this dolly if you are under 16 years old.

SPECIFICATIONS

Item No.	GU0041
Description	Electric Power Dolly
Power Supply	DC24V,7Ah
Rate	500W
Capacity	Trailer Weight: 1620kgs/3600Lb Tongue Weight: 270kgs/600Lb
Ball Mount	2"
Product Size	42"x24"x40" (1054x600x1021mm)
Net/Gross Weight	90/101 lbs (41/46kg)

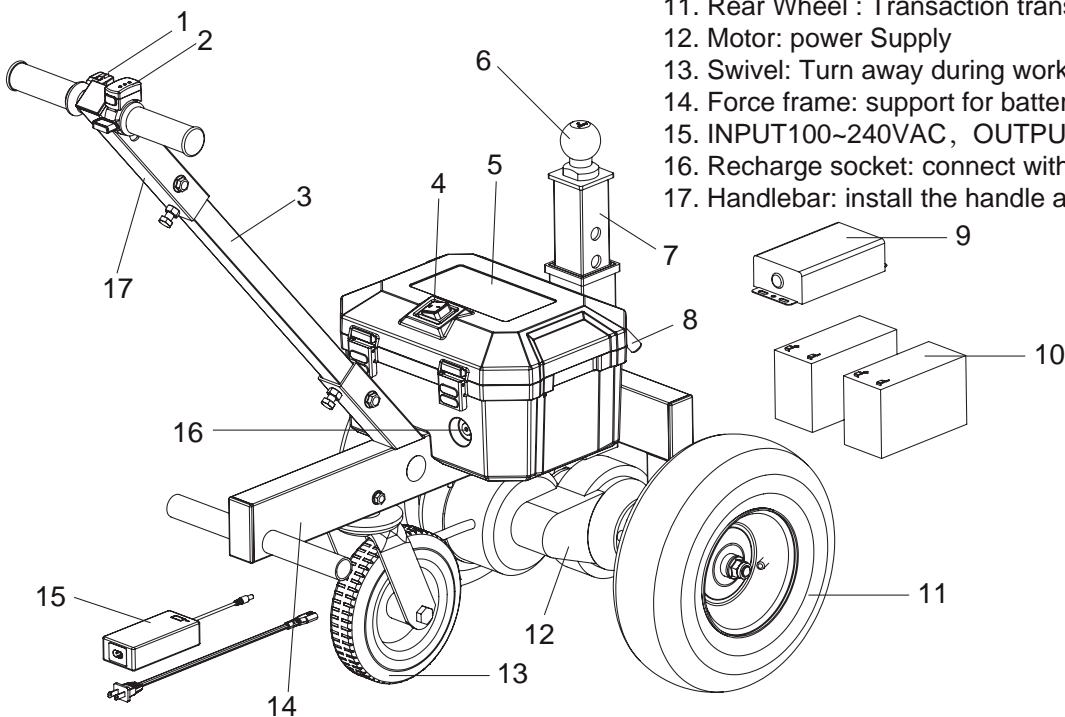
ALL FORCE UNITS COME WITH



1	Handlebar	6	Rear wheel*2
2	Connecting Rod	7	Charger
3	Ball mount	8	Controller
4	Force frame	9	Lead acid battery *2
5	Swivel wheel		

STRUCTURE INTRODUCTION

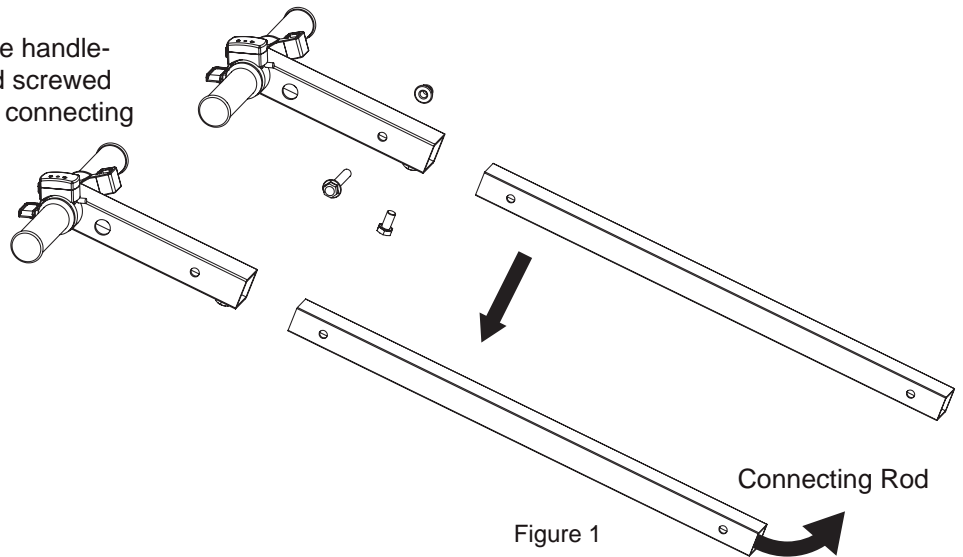
1. Switch Button- Switch for "forward" or "reverse"
2. Speed controller: Drive with various speed by this controller
3. Connecting rod- connect the handle and force frame
4. Power Switch-Start this before use the power dolly, and shut down the dolly after use.
5. Battery box-Lead acid battery & controller installed inside
6. Ball mount- Connect the hitch ball with the trailer
7. Adjustable ball mount
8. Latch- locked while ball mount height adjusted
9. Machine Controller
10. Batteries: 2*12V -7AH lead acid battery
11. Rear Wheel : Transaxion transmission
12. Motor: power Supply
13. Swivel: Turn away during working
14. Force frame: support for battery box and motor
15. INPUT100~240VAC, OUTPUT:DC28.8V- 2.0A
16. Recharge socket: connect with charger
17. Handlebar: install the handle and switch button



ASSEMBLY

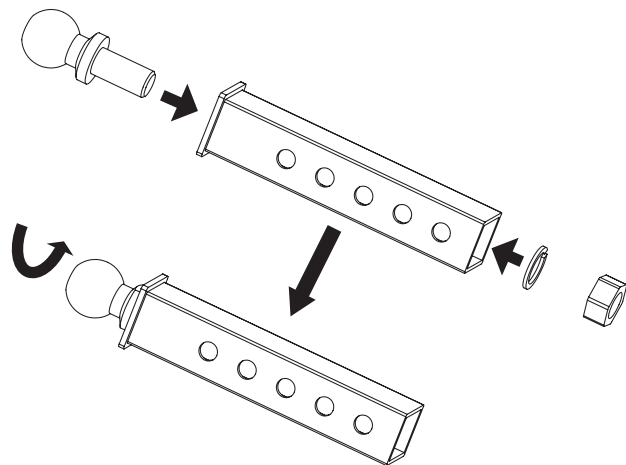
1. Assemble the handlebar

Insert the connecting rod into the handlebar, make the holes aligned and screwed by bolts; Pull the cable out from connecting rod ends. (See Figure 1)



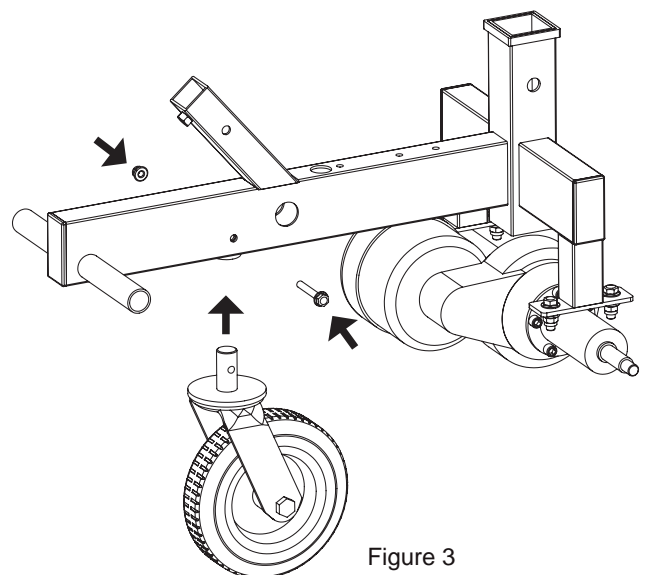
2. Hitch ball mount assembly

Fit in the washer and nuts into adjustable ball mount, thread the hitch ball till completely fit. (See Figure 2)



3. Assemble the swivel wheel

Put the swivel wheel shaft into the force frame, fixed by nut and bolt (See Figure 3)



ASSEMBLY

4. Rear wheel assembly

Install the rear wheel on the axle, insert the flat key and fixed by bolts. We suggest to install the rear wheels with the inflating inlet at the outside so for easy inflating. (See Figure 4)

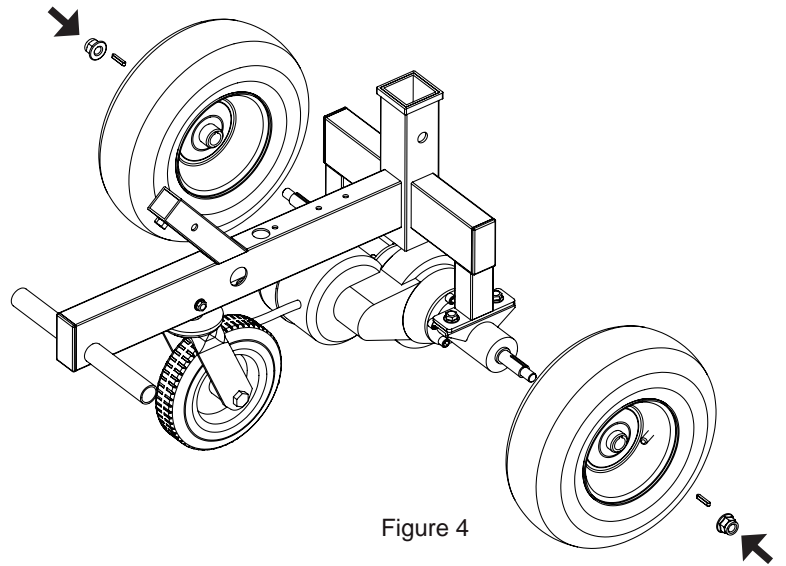


Figure 4

5. Assemble the adjustable hitch ball mount: Adjust the ball mount with the required height, fix by the latch and locked with pin. (See Figure 5)

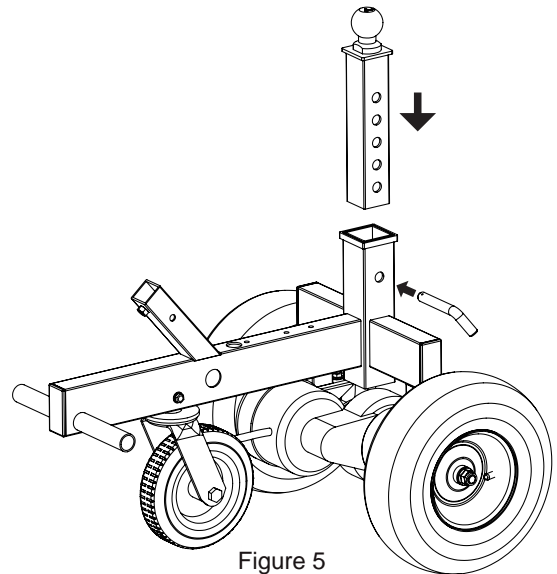


Figure 5

6. Connecting rod assembly

Connect the battery cable from the top tube of the force frame, and put out from the round hole in the middle of the connecting rod (gentle reminding: there are 2 holes in two side of the force frame and hole bottom, which are assistant for your observation during the cable connection.) (See Figure 6)

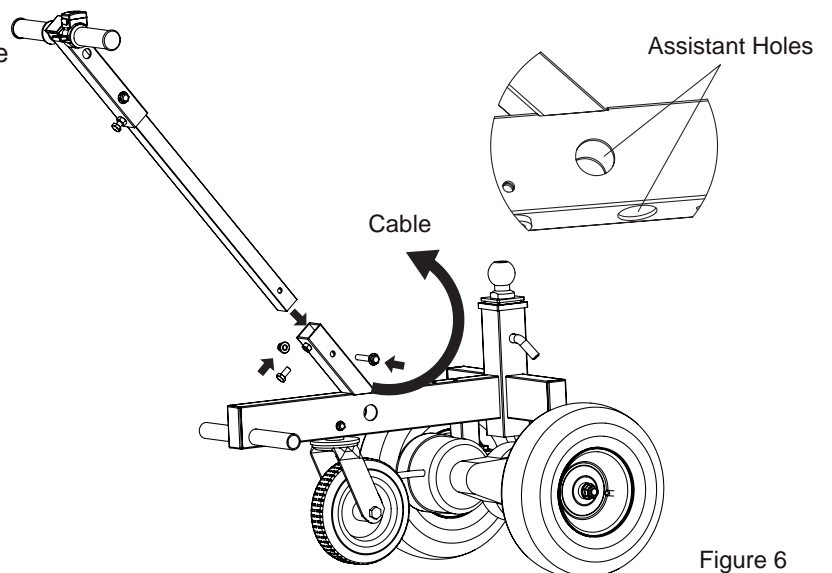
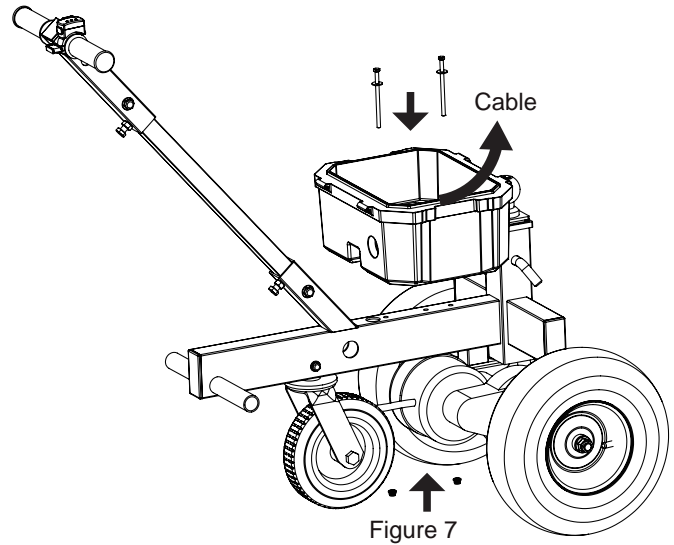


Figure 6

ASSEMBLY

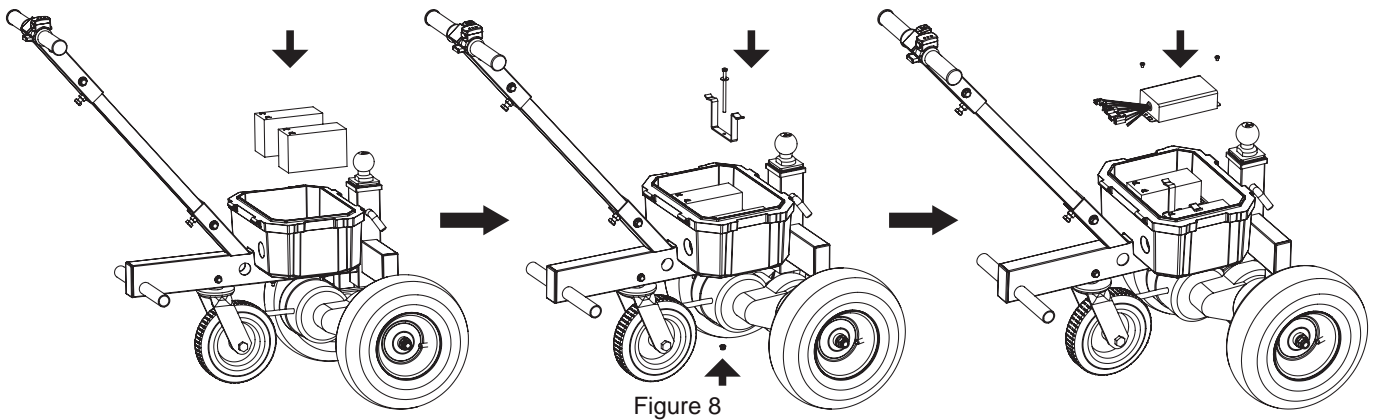
7. Battery Assembly

Put out the battery wire from the inside hole on the battery box, screwed the battery box on the force frame by bolts. (See Figure 7)



8. Battery & Controller Assembly

Place 2*12V lead acid battery into the box. DO NOT TOUCH THE BATTERY'S POSITIVE AND NEGATIVE BY ANY METAL PARTS. Otherwise there will be fire caused and lead a danger to the user. (See Figure 8)



9. Battery cable connection (See Figure 9)

Electrical schematic diagram

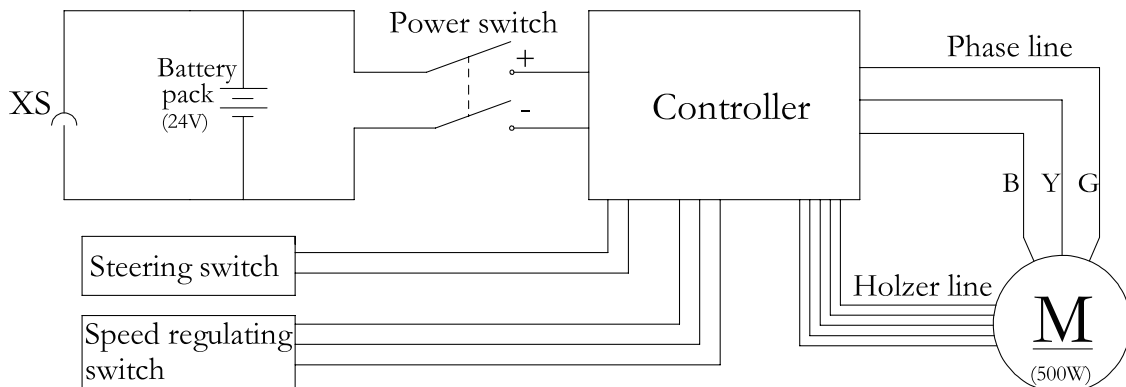
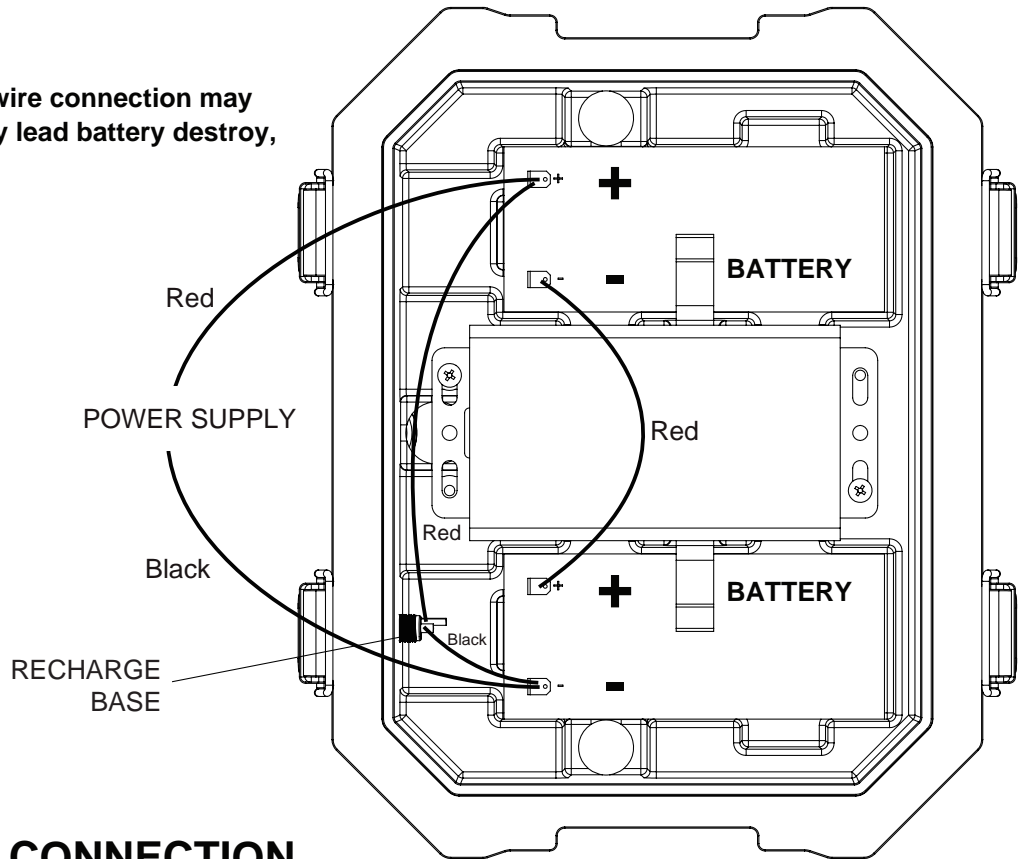


Figure 9

BATTERY

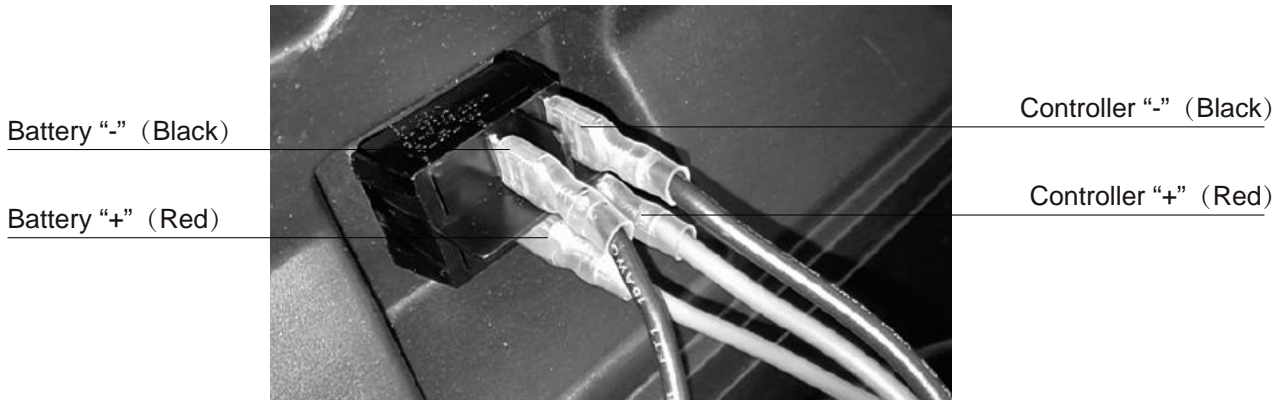
Caution: Incorrect battery wire connection may cause a short-circuit, it may lead battery destroy, fir or physical danger.



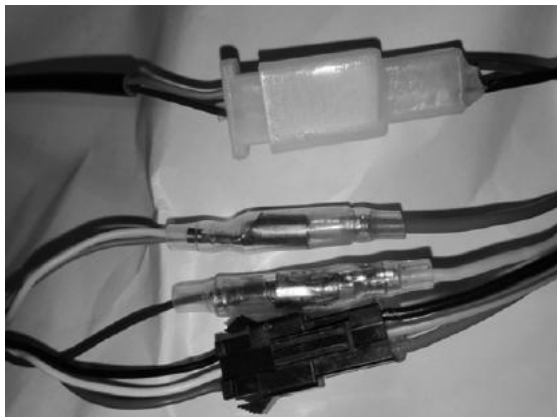
POWER SWITCH CONNECTION

Batter

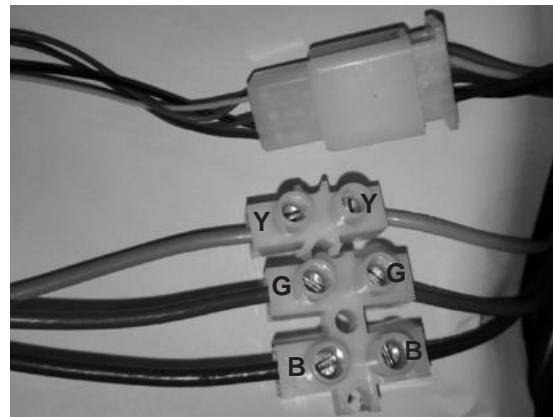
Caution: Incorrect power switch cable connection may cause a short-circuit, it may lead battery destroy, fir or physical danger.



Contol Switch Controller



Motor Connection



10. After the wire connection, locked the battery box, sealed by the plug, installation finished. **(See Figure 10)**

BEFORE USE

1. Check the power dolly and make sure all bolts had been well screwed and the hitch ball mount can be locked.
2. Check all the wheels to make sure they are keep in well working status, be sure the tire pressure are among $30 \pm 2 \text{psi} (2.1 \pm 0.1 \text{kg/cm}^2)$
3. Check the battery volume and make sure the switch are workable.
4. Start the dolly before loading onto the trailer and check the dolly can forward and reverse freely
5. Make sure the trailer weight no more than 1620kgs/3600Lb and tongue weight under 270kgs/600Lb
6. Please use this dolly on flat road only. For your safety purpose, do not use it on the slop over 4 degree. No brake installed so do not use on the minus grade.

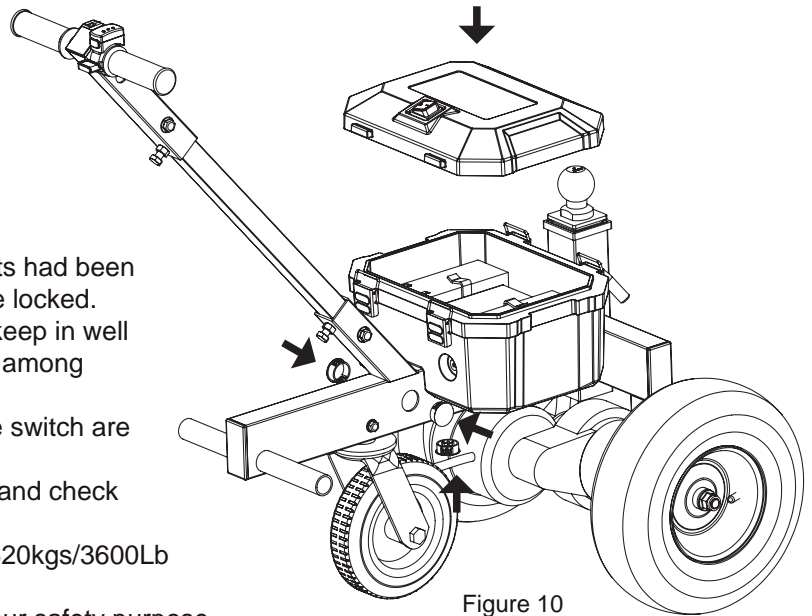


Figure 10

OPERATION

1. Move the dolly close to the trailer weld spots, adjust the ball hitch mount in correct height. Normally leave the hitch ball 100-200mm over the weld spots, locked the hitch ball mount by latch and pin. **(See Figure 11)**
2. Hold the assembled Ball Mount underneath the hitch. With the Weld Spots in the correct position, insert the Ball into the Hitch and lock it as normal. **(See Figure 12)**

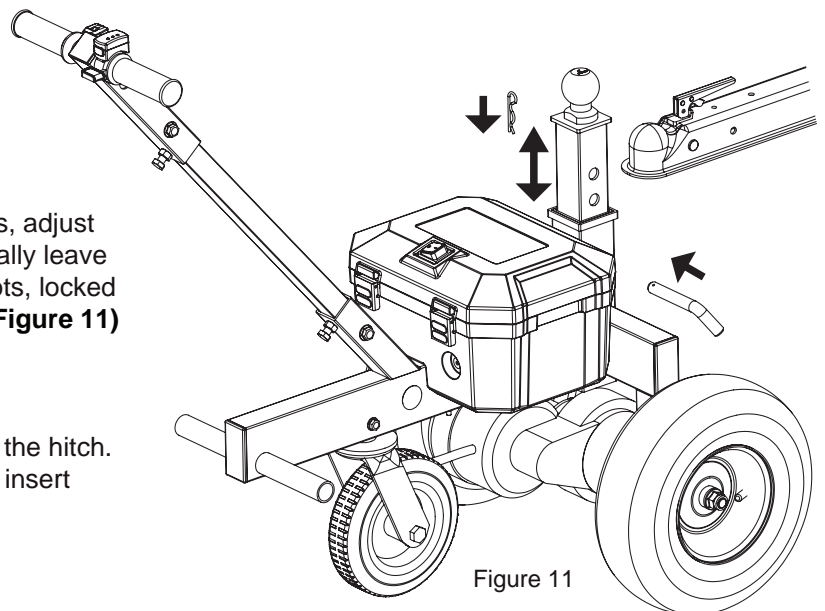


Figure 11

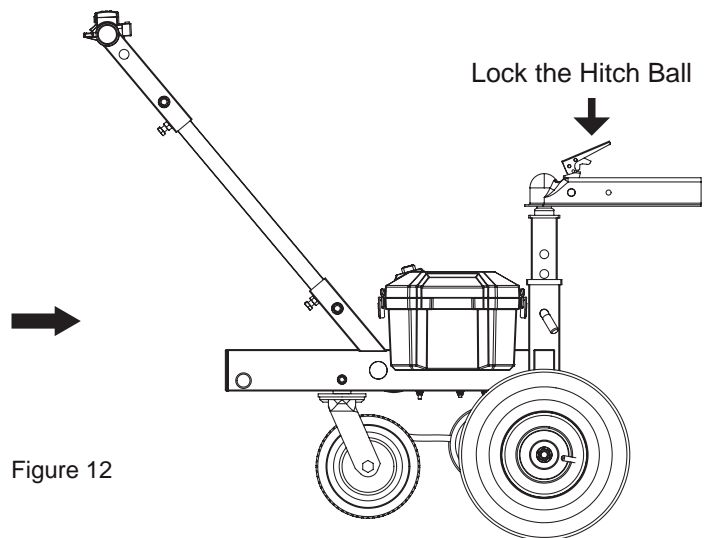
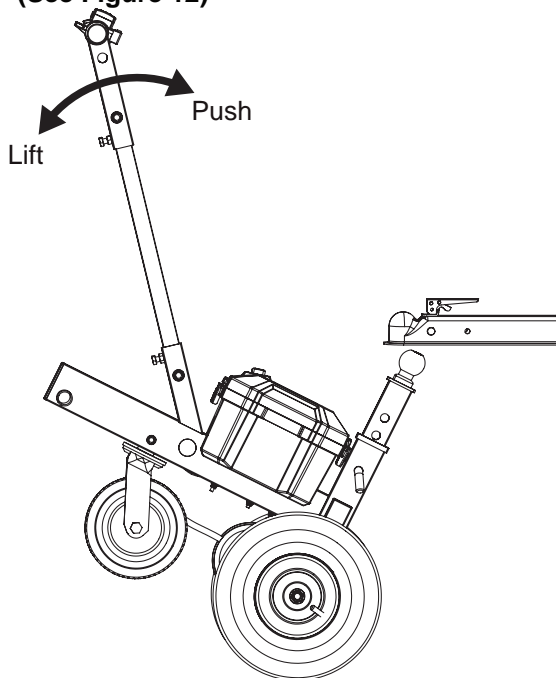
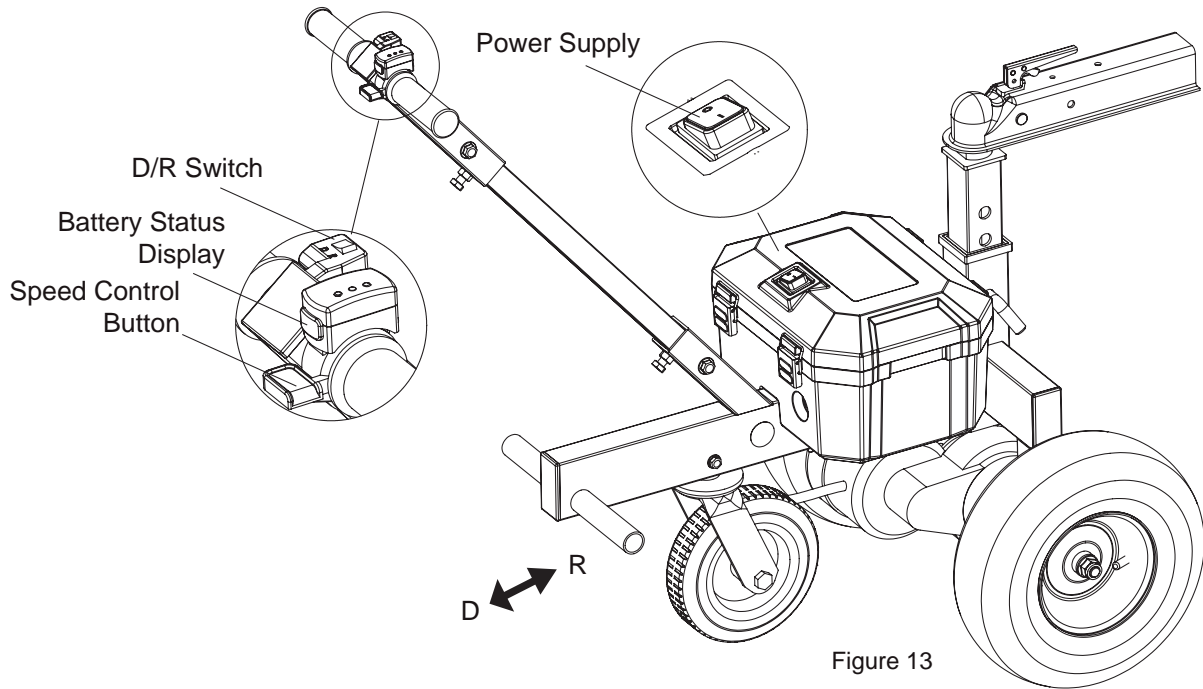


Figure 12

3. Switch on the power and speed controller button. Check the battery status. Switch the button into Drive or Reverse, and move the dolly by the speed controller knob. The speed can be various from 0-2.5km/h. **(See Figure 13)**
4. Shut down the power after use. And park the dolly in the correct position. PLEASE RECHARGE THE BATTERY WITHIN 3 MONTHS OTHERWISE THE LEAD ACID BATTERY MAY BE DESTRIED.



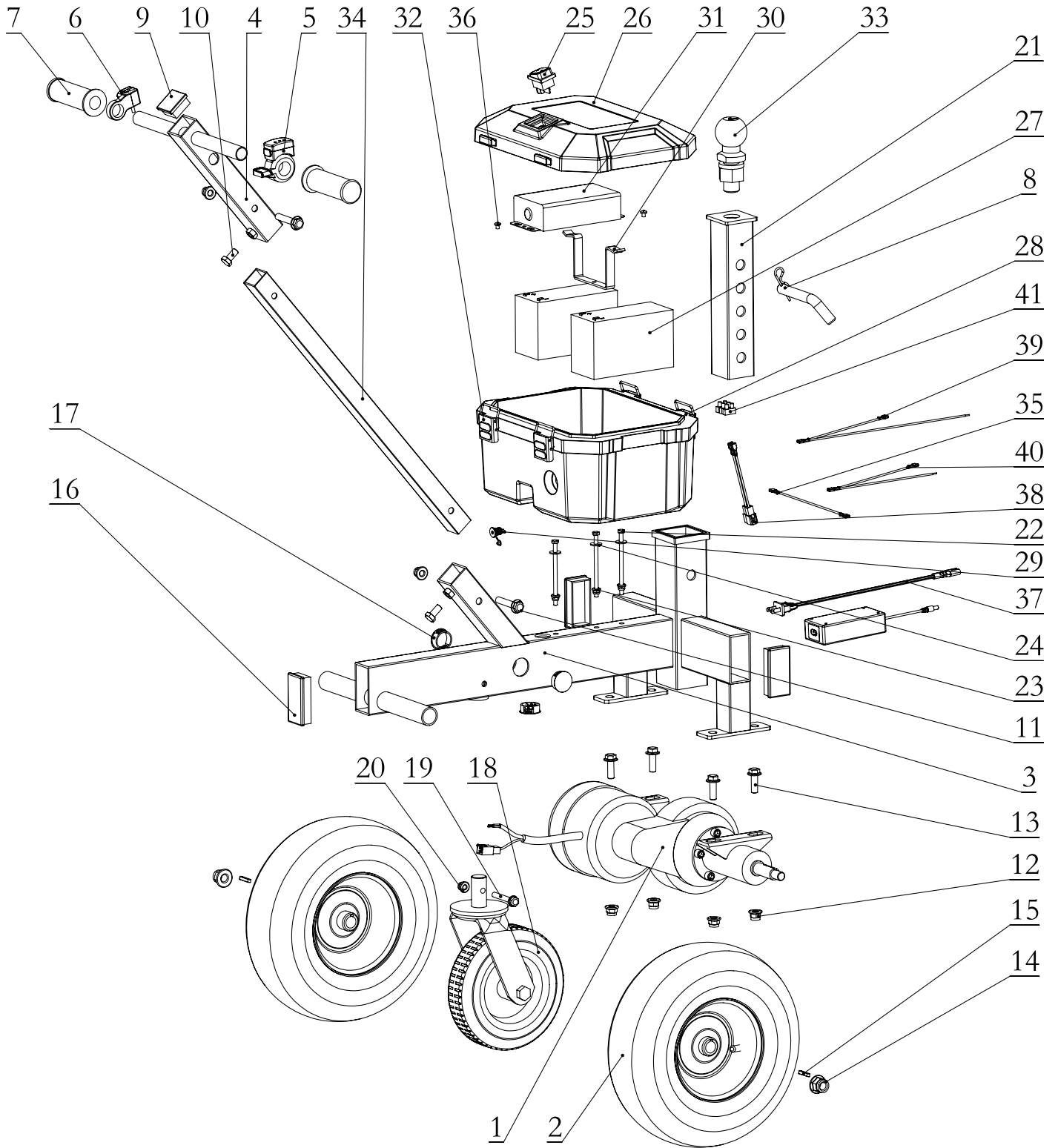
OVERLOAD PROTECTION

The dolly equipped with overload protection system, will shut down while over loaded. This will protect the potential risk of the machine destroy. Please do not try to start when the dolly overloaded and shut down, please re-start after the loading weight reduced within the capacity.

TROUBLE SHOOTING

Problem(s)	Possible Cause	Corrective Action
Power dolly do not works.	Power shut down.	1. Check the battery status make sure it in full . 2. Check the power switch in power on status. 3. Check the connect cable without loose
Power dolly stop during working.	1. Batteries in low. 2. Power dolly overloaded.	1. Recharge the power dolly in full 2. Reduce the loading weight with the capacity and re-start.

PARTS LIST



Part No.	Description	Q'ty	Part No.	Description	Q'ty
1	Rear axle	1	22	Hex bolts M6*102	3
2	Rear wheels	2	23	Hex nut	3
3	Force frame	1	24	Washer	3
4	Handlebar	1	25	Waterproof power switch	1
5	Speed controller	1	26	Battery box cover	1
6	Switch button	1	27	Lead acid battery 12V 7Ah	2
7	Handle sleeve	2	28	Battery box	1
8	Latch	1	29	Socket	1
9	Square tube plug	1	30	Fixed support	1
10	Hex bolts M10*20	2	31	Controller	1
11	Hex bolts M10*55	2	32	Hasp sets	4
12	Hex nut M10	6	33	Hitch ball	1
13	Hex bolts M10*30	4	34	Connecting rod	1
14	Hex bolts M4*1.5	2	35	Cable harness 1	1
15	Flat key 5*5*28A	2	36	cross recessed pan head screw	2
16	Square tube plug	3	37	Recharger sets	1
17	Round plug	3	38	Cable harness 2	1
18	Swivel wheel	1	39	Cable harness 3	1
19	Hex bolts M8*55	1	40	Cable harness 4	1
20	Hex nut M8	1	41	Cable terminal	1
21	Adjustable ball mount	1			



Great Circle USA
Support Line: 1-866-493-0524
superhandy@greatcircleus.com
www.greatcircleus.com