

WOOD PELLET GRILLS

ZPG-550B4

OWNER'S MANUAL

MON TO FRI, 8:00 A.M. - 5:00 P.M. PACIFIC STANDARD TIME

SERVICE CONTACT: 1-833-947-4557/1-833-ZGRILLS

EMAIL: support@zgrills.com

WEBSITE: www.zgrills.com



CONTENTS



IMPORTANT SAFETY INFO	3
COMPONENT LIST	6
ASSEMBLY INSTRUCTIONS	8
SUBSEQUENT START-UP	15
OPERATING TIPS	16
MAINTENANCE & CLEANING	17
TROUBLESHOOTING	19
DIGITAL THERMOSTAT CONTROL WIRING DIAGRAM	21
Z GRILLS SUPPORT	23
3-Y LIMITED WARRANTY	24
INITIAL FIRING INSTRUCTIONS	



SAVE THIS MANUAL FOR FUTURE REFERENCE

IMPORTANT SAFETY INFO

GENERAL WARNINGS

Please read this entire manual before installation and use of the pellet fuel-burning appliance. Failure to follow these instructions could result in property damage, bodily injury or even death.

Contact local building or fire officials about restrictions and installation inspection requirements in your area.

This grill is for outdoor use only. DO NOT use it in any enclosed area.

DO NOT store or use combustible materials or liquids near this appliance.

Keep children away while it is in use.

Maintain a safe distance between your grill and any combustible material.

DO NOT move your grill while operating or while it is hot. Wait until the grill is completely cold.

If a grease fire occurs, turn “off” and leave lid closed until the fire is extinguished. DO NOT unplug the power cord. DO NOT throw water on it. DO NOT try to smother the fire.

Clean and maintain your grill after each use.

DO NOT use your grill on rainy days.

DO NOT touch any part of your grill while it is hot. Serious bodily injury could result.

We suggest the use of heat-resistant gloves when operating this grill.

We suggest that you should wrap the Grease Drain Pan with heavy-duty aluminum foil before using because it is easy to clean.

For convenient and safe assembly, use at least two people to assemble the grill.

Make sure the power cord is disconnected before performing any service or maintenance.

DO NOT place anything heavy on top of hopper lid. It is not a shelf and is a tip hazard.

Never use gasoline, gasoline-type lantern fuel, kerosene, charcoal lighter fluid, or similar liquids to start or 'freshen up' a fire in this appliance. Keep all such liquids well away from the appliance when in use.

Do not use accessories not specified for use with this appliance.

NOTE: A MAJOR CAUSE OF FIRES IS FAILURE TO MAINTAIN REQUIRED CLEARANCES (AIR SPACES) TO COMBUSTIBLE MATERIALS. IT IS OF UTMOST IMPORTANCE THAT THIS PRODUCT BE INSTALLED ONLY IN ACCORDANCE WITH THESE INSTRUCTIONS.

PELLET RESTRICTIONS

This grill is designed for use of wood pellets only designed for burning in wood pellet grills. Do Not Use Pellet Fuel Labeled As Having Additives.

We suggest that you use Z GRILLS BBQ WOOD PELLETS, which are specifically made to work in our grills. There is no guarantee that other brands of pellets are suitable for use in Z GRILLS. And Z GRILLS assumes no liability for any loss, damage or injury caused by the use of any other brands of pellets.

Always keep the Pellet Hopper dry, the wood pellets will expand greatly, break apart and even jam the feed system if the pellets get wet or are exposed to high humidity.

CARBON MONOXIDE WARNING

Follow these guidelines to prevent this colorless, odorless gas from poisoning you, your family or others.

Know the symptoms of carbon monoxide poisoning: headache, dizziness, weakness, nausea, vomiting, sleepiness, and confusion. Carbon monoxide reduces the blood's ability to carry oxygen. Low blood oxygen levels can result in loss of consciousness and death.

See a doctor if you or others develop cold or flu-like symptoms while cooking or in the vicinity of this appliance. Carbon monoxide poisoning, which can easily be mistaken for a cold or flu, is often detected too late.

Alcohol consumption and drug use increase the effects of carbon monoxide poisoning.





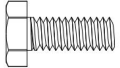
Carbon monoxide is especially toxic to mother and child during pregnancy, infants, the elderly, smokers, and people with blood or circulatory system problems, such as anemia, or heart disease.


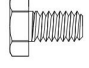
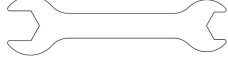
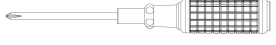
COMPONENT LIST

ITEM	QTY	DESCRIPTION
1	1	Grill Chamber Assembly
2	1	Hopper Assembly
3	1	Warming Rack
4	1	Porcelain Grills
5	1	Grease Drain Pan
6	1	Heat Baffle
7	1	RTD Temperature Probe
8	1	RTD Guard
9	1	Lid Handle
10	2	Handle Guide
11	1	Lid
12	2	Hinge Assembly
13	1	Chimney Cap
14	1	Smoke Stack Assembly
15	1	Smoke Stack Gasket
16	1	Grease Bucket
17	1	Right Rear Leg
18	1	Right Front Leg
19	2	Wheels
20	1	Axle
21	1	Bottom Plate
22	1	Left Rear Leg
23	2	Foot Pad
24	1	Left Front Leg

ITEM	QTY	DESCRIPTION
25	1	Hopper Lid
26	1	Hopper Shell
27	1	Digital Control
28	1	Hopper Side Handle
29	1	Hopper Guard
30	1	Auger Drive Motor
31	1	Auger Nylon Ring
32	1	Auger
33	1	Foam Glue
34	1	Hot Rod (Ignitor)
35	1	Feeder Assembly
36	1	Fan
37	1	Power Cord
38	1	Hopper Insulation Gasket
39	1	Fire pot Welding Assembly
40	1	Cable Clip
41	1	Upper Safety Gate
42	2	Hinged axle
43	1	Nameplate
44	1	Ash Cup
45	1	Front decorating plate
46	1	visible window
47	1	Winding Handle

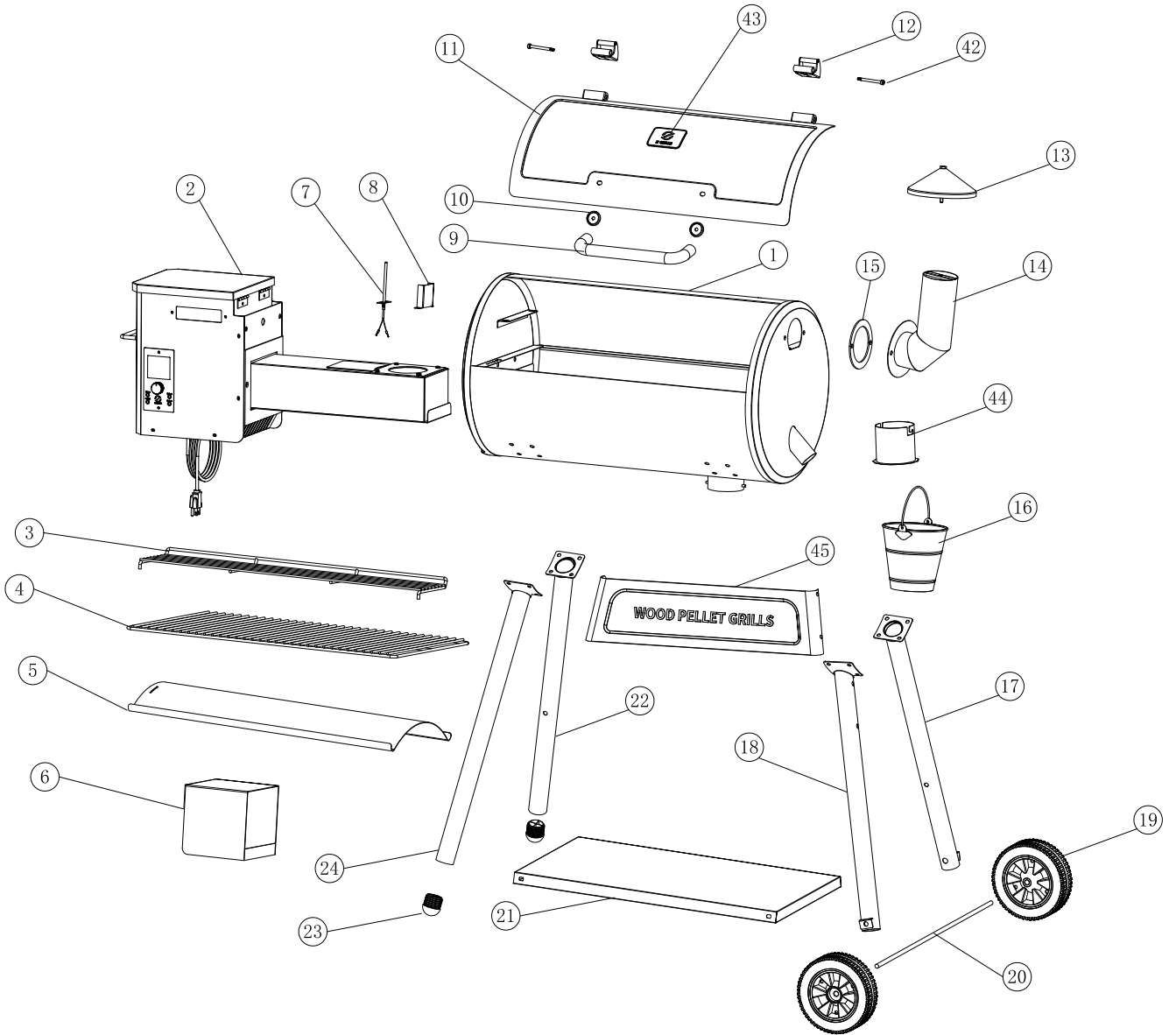
HARDWARE PACKAGE LIST

ITEM	QTY	DESCRIPTION
A	26	 Bolt 1/4-20*1/2
B	2	 Bolt 8#-32*3/8
C	2	 Cap Nut 5/16-18 UNC
D	4	 Gasket OD 0.79*ID0.26
E	2	 Hexagon Bolt 1/4-20*3/4

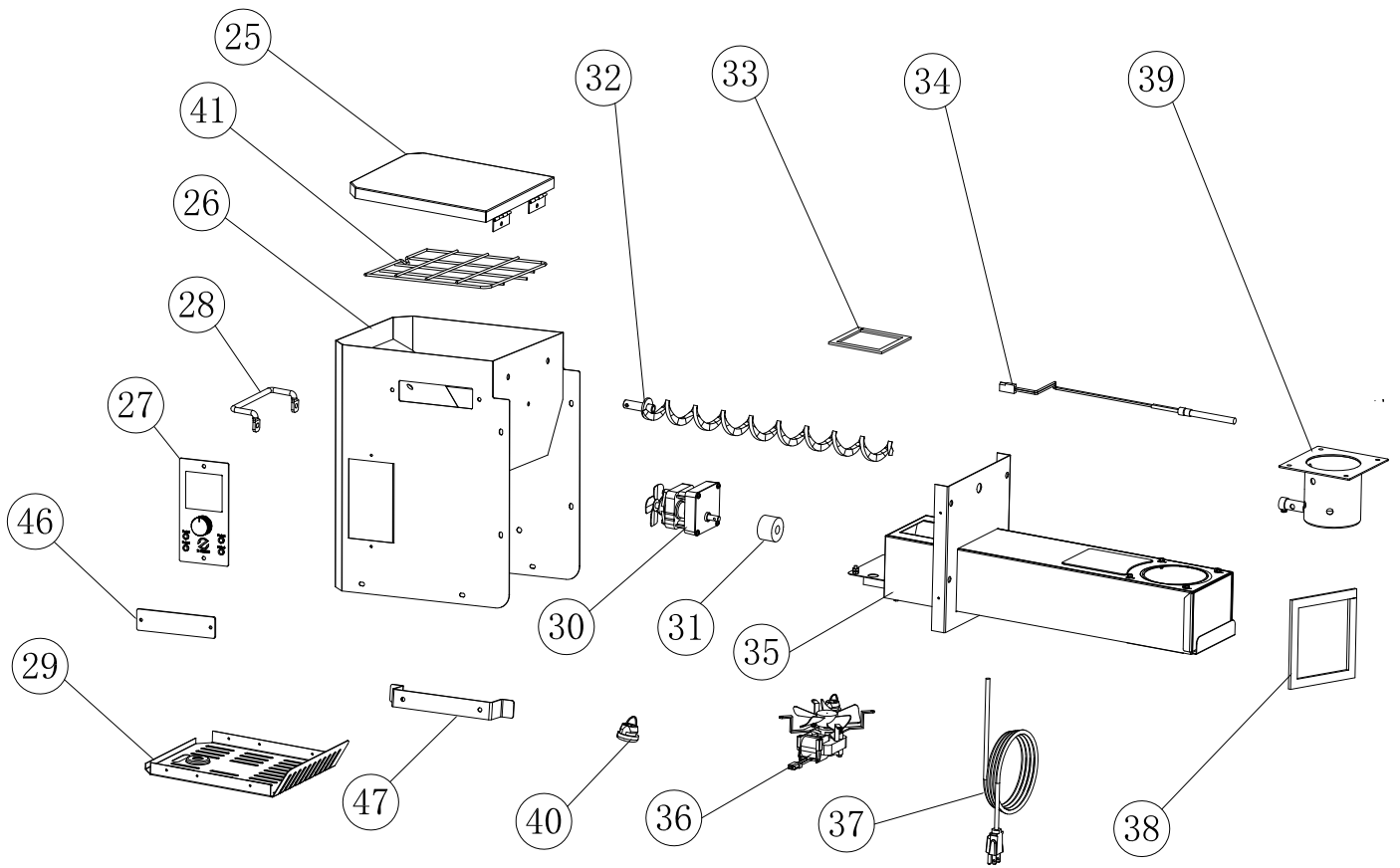
ITEM	QTY	DESCRIPTION
F	2	 Hex Nut 1/4-20
G	2	 Hexagon Bolt 1/4-20*3/5
H	2	 Open End Wrench
I	1	 Screwdriver

ASSEMBLY INSTRUCTIONS

PARTS DIAGRAM

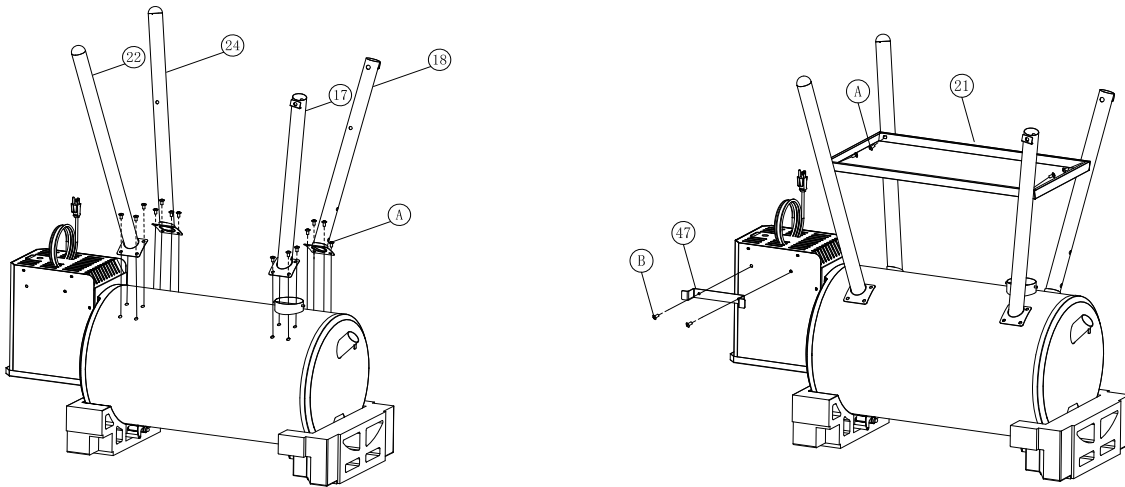


HOPPER BURNER ASSEMBLY

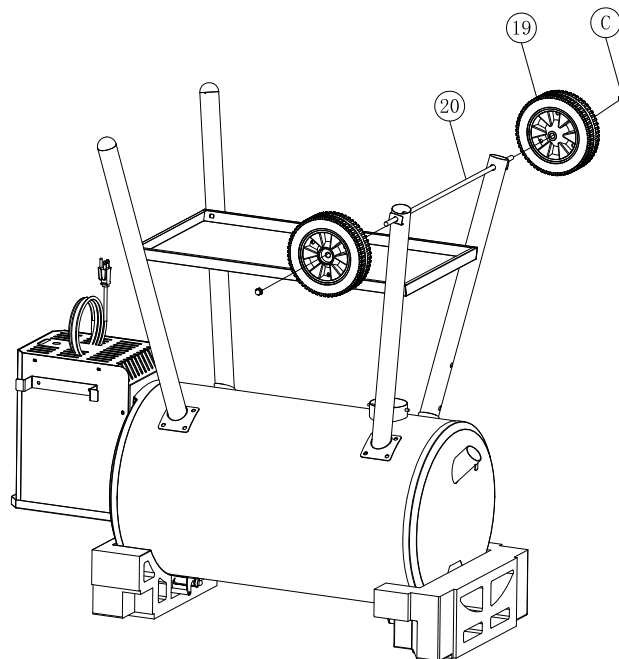


1. MOUNTING THE BODY FRAME TO THE CHAMBER

1. Unpack all the items, including the parts packed in the Grill Chamber (1). Turn the body upside down and place upon the original Styrofoam packing material from the carton. (CAUTION: Grill is heavy and requires two people to lift.)
2. Take the Right & Left Leg (17)(18)(22)(24) and use the Bolt (A) to assemble the grill body through the holes. The front and rear are assembled in the same way. As shown.
3. Place the Bottom Plate (21) in the middle position of the four legs, attach the Bottom Plate (21) on Legs by using the Bolt (A). The four positions are installed in the same manner. As shown.
4. Use Bolt(B) to assemble Winding handle(47) into the hopper.

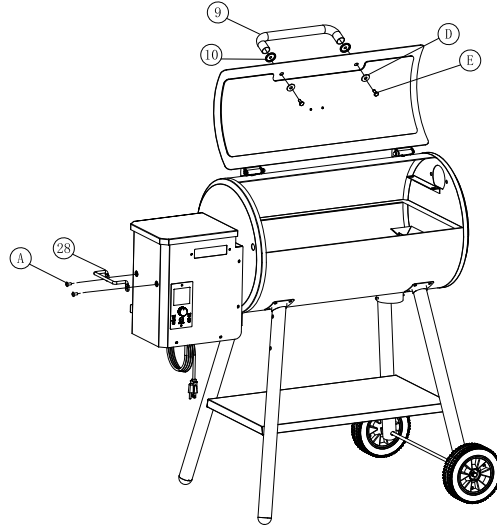


4. Push the Axle (20) through the hole in the legs and then through the wheel (19) as shown. The Cap Nut (C) are used to secure the wheel assembly in place. Repeat for the other wheel.



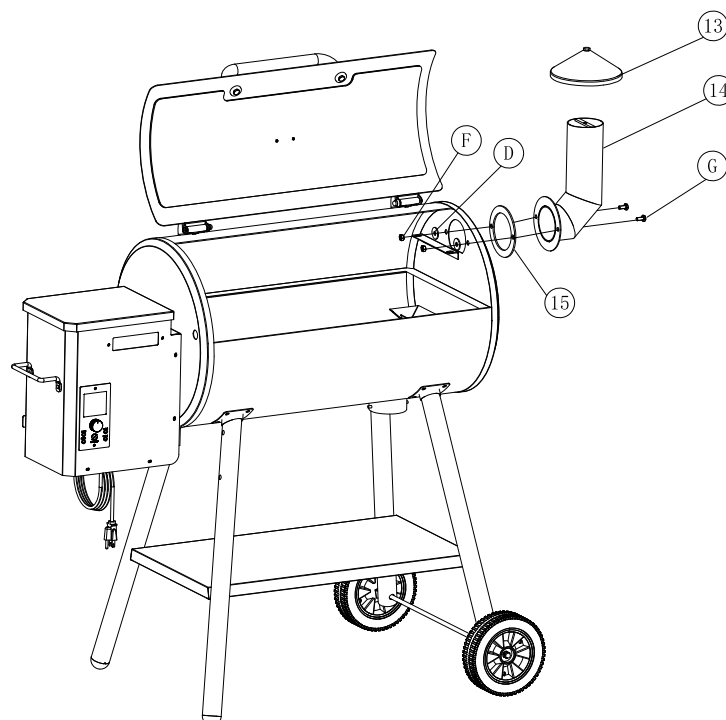
2.INSTALLING THE CHAMBER HANDLE TO THE LID

1. Lift the Grill Assembly, turn, and place on the floor.
2. Take out the Bolt(E) and Gasket(D) ,push the Bolts (E) through the gaskets (D) and then through the lid and Handle Guide (10). Handle should sit inside the depression in the guide. Thread Bolts into Handle (9) and tighten with Wrench (H).
- 3.Use Bolt(A)to assemble Hopper Side Handle(28) into the hopper.



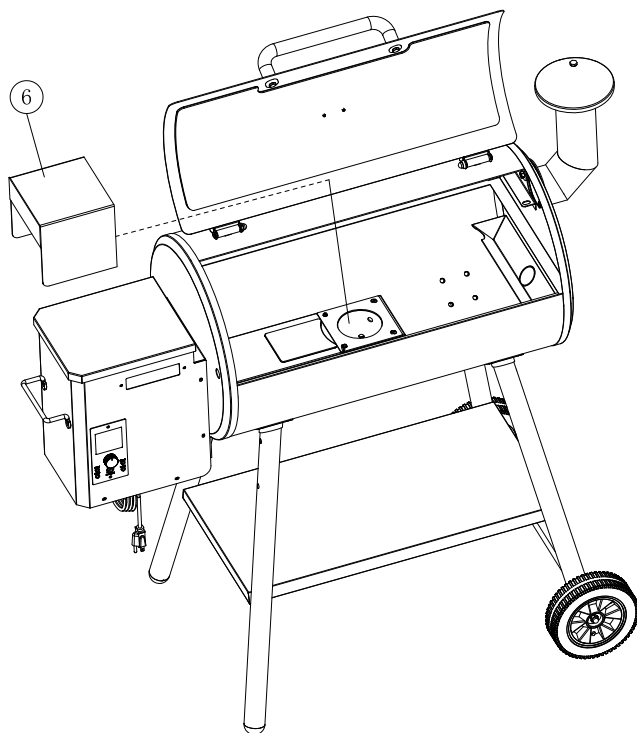
3.INSTALLING THE SMOKESTACK AND CHIMNEY CAP

1. Use Bolt (G) through the holes of Smoke Stack (14) and Smoke Stack Gasket (15), align the hole of grill body, then attach the Gasket (D) and Hexagon Nut (F). Finally use Wrench (H) to tighten them. As shown.
2. Tighten the Chimney Cap (13) on the Smoke Stack Assembly (14). Note that the chimney is vertical and then tightened.



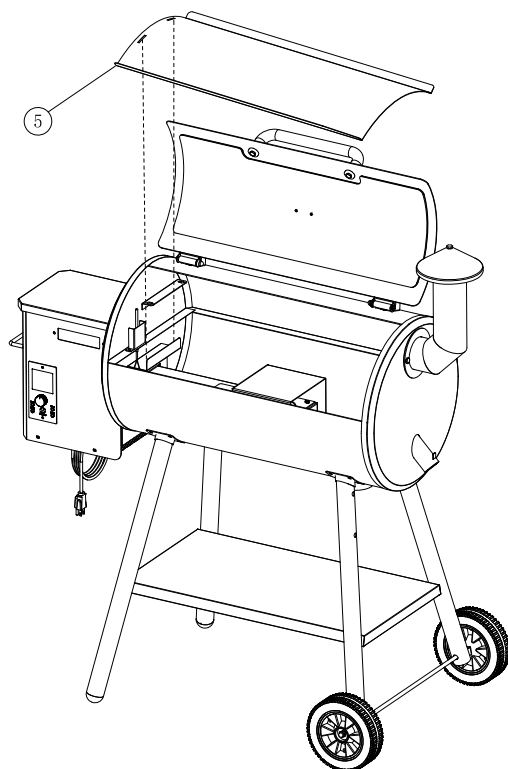
4.INSTALLING THE HEAT Baffle

Place the lower bracket of the Heat Baffle (6) into the groove of the feeder.



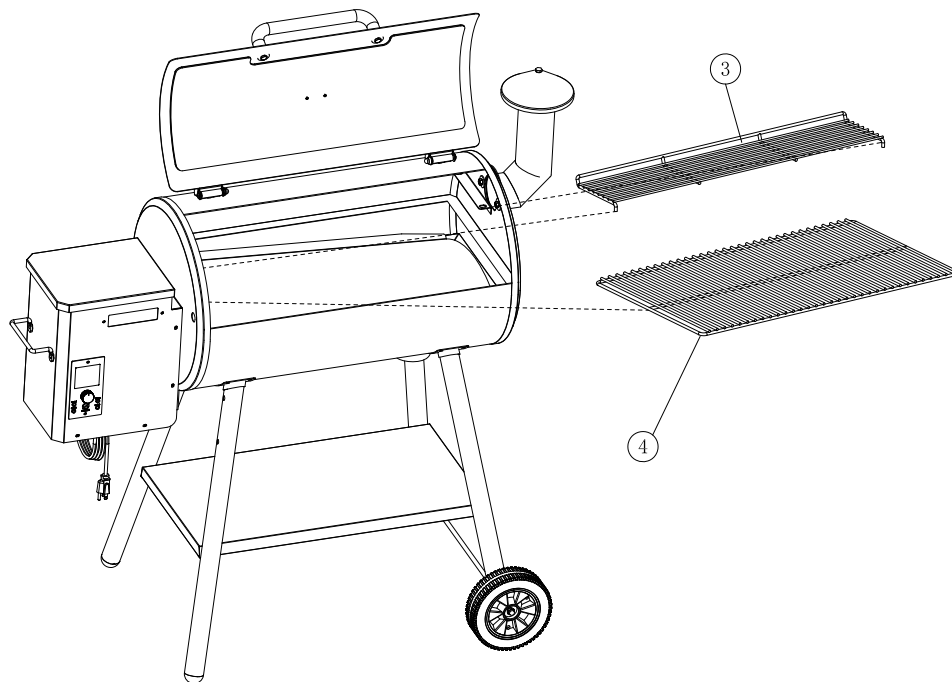
5.INSTALLING THE GREASE DRAIN PAN

Install the Grease Drain Pan (5) over the Heat Baffle (6) facing downward to fit onto the locating brackets so that the grease can flow into the Grease Drain Tube.



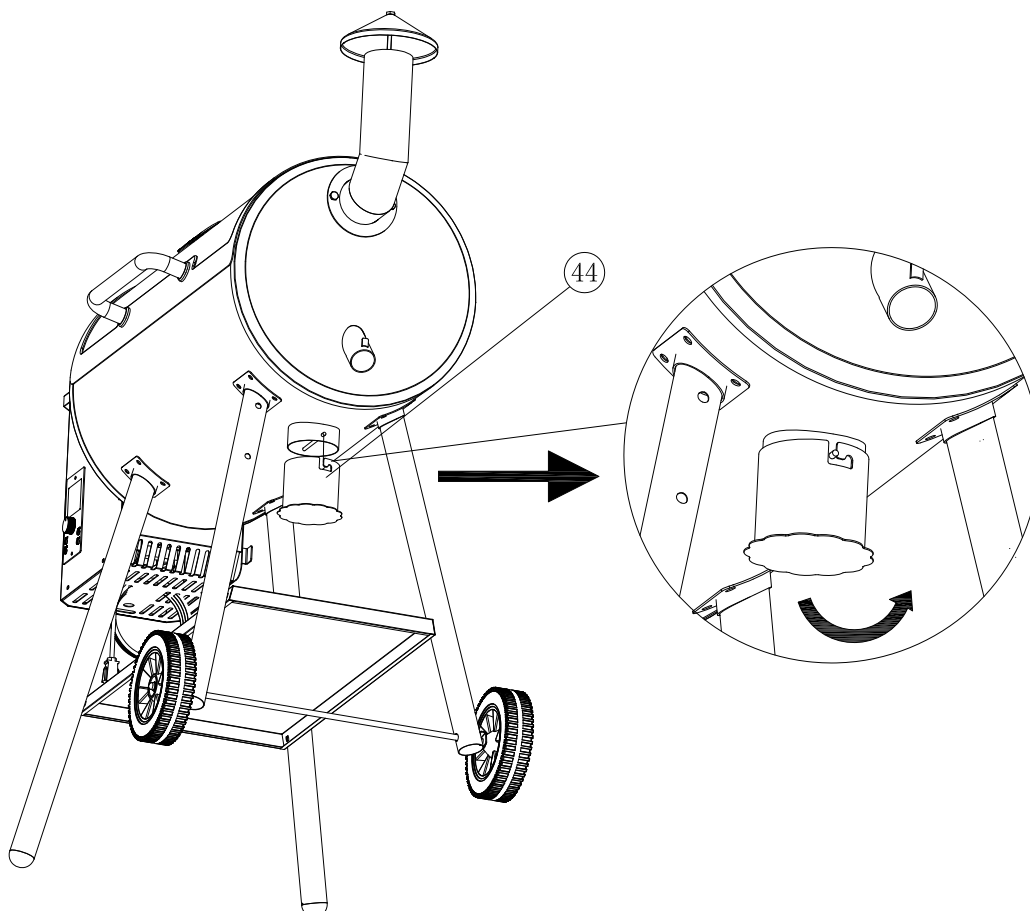
6. INSTALLING THE COOKING GRATE AND WARMING RACK

Install the Porcelain Grill (4) and Warming Rack (3) into the Chamber.



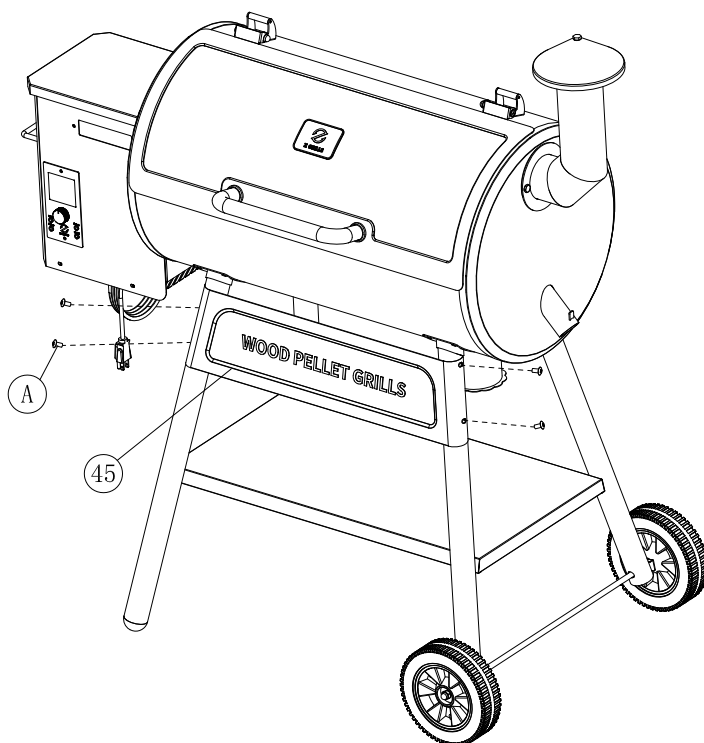
7. ASSEMBLE THE ASH CUP

1. Put the ash cup (44) on the wire under the chamber.



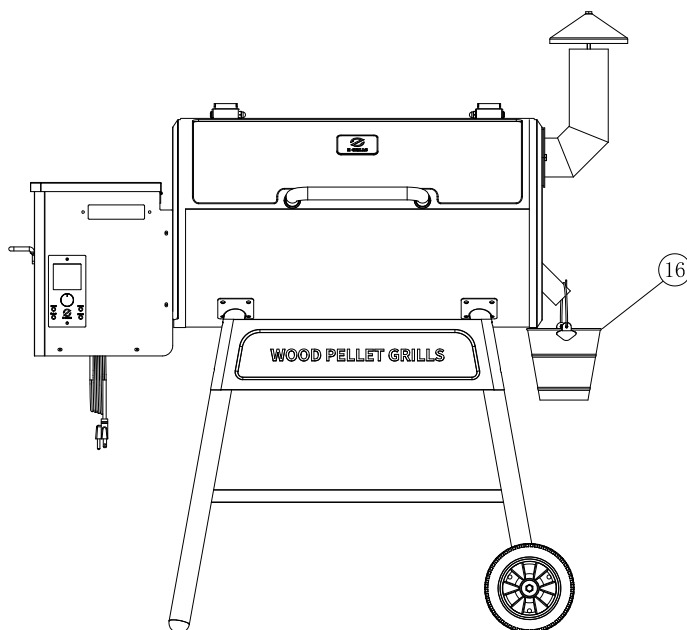
8.Assemble the Front decorating plate

Use Bolt(A)through Front decorating plate(45), and tighten with Screwdriver(I).



9.HANG ON THE GREASE BUCKET

Located the Grease Drain Tube which is on the right side of the Chamber, then hang the Grease Bucket (16) on the hook.



SUBSEQUENT START-UP

ATTENTION: If the grill fails to light or the fire in the Firepot goes out while cooking, it is vital to follow these steps when sufficient pellets are still in the Pellet Hopper. Failure to follow the steps may cause a hazardous “over-firing” of your grill due to an excess of unburned pellets in the Firepot.

1. Turn OFF the appliance and unplug the Power Cord. After the grill cools down, remove all food, the Porcelain Grills, Grease Drain Pan and the Heat Baffle.

2. Remove all unburned pellets and ash from inside and around the Firepot (See instruction for proper handling and disposal of ash).

3. Plug the Power Cord and turn on the grill. Pellets should fall into the Firepot and the Hot Rod should begin to heat (it will start to turn red).

4. If this step is successful, you will see flames come out of the Firepot.

Enter into SHUT DOWN in MENU or Press and Hold for 5 seconds to power off and let it cool down. Next, put components back in place, open the lid and turn on the grill. Wait a few minutes until you see whitish-gray smoke coming out of the grill, then close the lid and turn the Temperature Dial to any cooking setting desired.

5. If this step is not successful, see TROUBLESHOOTING or contact Z GRILLS Technical Support to help diagnose the problem.

SHUTDOWN CYCLE

- Auger turns off
- Fan continues to run for 10 minutes

After you have finished cooking, turn the Temperature Dial to Shutdown Cycle position. The function of this setting is to leave the Draft Induction Fan running for 10 minutes to burn redundant pellets in the firepot. After the fan runs for 10 minutes, the fan will stop and the controller will power off.

CAUTION: The main power switch will shut the power off to the controller and the Temperature Dial Knob switch will cut off power to the grill components only. When servicing the controller or any parts ensure that the power supply is disconnected by unplugging the grill to avoid a shock hazard.

OPERATING TIPS

1. Like all grills, the actual temperature of this grill and the cooking times will be affected by external temperature, humidity, wind conditions, quality of pellets, etc.
2. It is beneficial to shelter your grill from the wind. This will aid in temperature output, heat retention and heat recovery time when the lid is open.
3. Do not open the lid frequently, it will increase your cooking time. You can open the lid when you want the grill to cool down quickly.
4. Please preheat the grill for 10 minutes before adding food. This will allow your grill to heat up quickly and return to your desired temperature once food is added.
5. Never move your grill while in use.
6. Never put water into the Pellet Hopper or Firepot.
7. **WARNING: NEVER ADD PELLETS TO THE FIREPOT DIRECTLY. IT IS DANGEROUS.** If you run out of pellets and lose your fire while cooking, let the grill cool down and start again with the INITIAL FIRING INSTRUCTIONS.
8. We recommend you cover your Grease Drain Pan with heavy-duty aluminum foil and change it frequently. This is the simplest way to clean your Grease Drain Pan. Failure to clean the Grease Drain Pan, V-shaped Grease Drain and Grease Drain Tube may cause grease fires. If this situation happens, turn the control knob to SHUT DOWN in MENU and keep the lid open until the fire is completely out. AT THE SAME TIME, BE CAREFUL NOT TO BURN YOURSELF. When the grill is completely cool, clean any grease accumulation from the V-shaped Grease Drain and the Grease Drain Pan. Replace the foil on the Grease Drain Pan. Then restart the grill and resume cooking.

MAINTENANCE & CLEANING

Your Z GRILL requires regular maintenance.

Make sure your grill is OFF, unplugged and completely cold before performing any maintenance and cleaning.

Grease

1. With regular use your grill will accumulate grease on the Flue Lining, the Grease Drain Tube, the V-shaped Grease Drain and the Grease Drain Pan. Always be sure these areas are clean and free of grease and debris. You should check and clean these areas regularly to reduce the risk of fire.

2. It is easier to remove accumulated grease when the grill is still warm (not hot).

BE CAREFUL NOT TO BURN YOURSELF. Heat-resistant gloves are recommended.

If too much grease is allowed to build up in the V-shaped Grease Drain or is allowed to plug the Grease Drain Tube, a grease fire could result. It is necessary to clean these areas regularly. You can scarp the grease accumulation from inside the V-shaped Grease Drain and Grease Drain Tube by using a stiff, nonmetallic tool. Much of the loosened grease can be pushed down through the Grease Drain Tube and fall into the Grease Bucket. Wipe up remaining grease residue with paper towels or disposable rags.

Flue Pipe(Smoke Stack)

Remove the Chimney Cap Assembly, clean it with warm soapy water. Scrape the creosote and grease accumulation from inside of the vertical and horizontal sections of the Flue Pipe by using a stiff, nonmetallic tool such as a wooden paint stir stick. Once the creosote and grease residue has been loosened from the Flue Pipe Lining, much of it can be cleaned with paper towels or disposable rags. Do not spray water or other liquid cleaners onto the inside of the grill.

Outside surfaces

1. Use warm soapy water to wipe away grease. Do not use oven cleaner, abrasive cleansers or abrasive cleaning pads on the outside grill surfaces.

2. It is highly recommended that you use Z GRILLS Cover to protect your grill .

3. You can use a high-quality car wax on the outside surfaces of your grill to protect it's finish.

Internal component

1. To clean the Porcelain-coated Grill Grates we recommend using a long-handled cleaning brush designed for Porcelain-coated Grates.

2. It is recommended that you clean your Grill Grates after each use.

3. Clean the inner RTD temperature probe after each use.

Ash

Clean the ash from the Ash Tray of the grill periodically. If excessive ash is in the firepot, it may cause the fire to go out. This is especially true in the SMOKE setting. A shop vac is an excellent tool to use for removing the ash. **WARNING: MAKE SURE THE GRILL FIRE IS OUT, THE UNIT IS OFF, UNPLUGGED AND COLD BEFORE ATTEMPTING TO CLEAN ASH FROM THE GRILL.**

TROUBLESHOOTING

CAUTION: Make sure the grill is completely cool and unplugged before you do any inspection, cleaning, maintenance or service work.

Problem	Potential Cause	Solution
Grill does not work properly	Power	Make sure the power cord is plugged in. Verify there is power at the electrical outlet.
	Fuse	Remove the digital control, check the fuse on the back. Replace the fuse if blown.
	Hot Rod	If both of the Draft Inducer Fan and the Auger Driver Motor are operating, the Hot Rod needs to be replaced. If one or both are not operating, please contact customer support.
	Wires & Connections	Check the wires and connectors to make sure they are fastened securely and not damaged. Contact customer support if you need help.
	Auger Drive Motor	Locate the small fan motor blade on the back of the auger drive motor. Turn unit on. If the fan does not turn on then the Auger Drive Motor needs to be replaced.
Fire goes out	Too much ash	Clean the ash. Refer to MAINTENANCE & CLEANING.
How to start	Control Knob	Start your grill with the lid open. After 5 minutes, close the lid and turn to any temperature setting desired. Read the INITIAL FIRING INSTRUCTIONS carefully.

Unexpected grill temperature is displayed	External Factor	Grill temperature is influenced by environmental factors such as high temperature, wind and direct sun. Place unit in shaded area. Open the lid to reduce inside temperature. After start your grill in 40 minutes, the grill will reach your desired temperature.
Excess or discolored smoke	Pellets	Replace moist pellets with fresh dry pellets.
Get your new parts	Contact Z GRILLS Customer Service or your Z GRILLS dealer to place an order	When contacting customer support please have the following information available: Your authorized Z Grills dealer, your name, phone number, address, your Z Grill serial number and part identification number. Your part number is listed on the COMPONENT LIST.

Alarm mode

Entry alarm: fan is on, the ignition rod is off, and the feeding motor is off

ERROR 1 TEMP SENSOR

RTD temperature sensor alarm, RTD open, damaged, or poor contact.

ERROR 2 HIGH TEMP

High temperature alarm. Alarm when the temperature exceeds 550F(288℃) warning value.

ERROR 3 LOW TEMP

Low temperature alarm, Low temperature at 120F (48℃) for 20 minutes and alarm.

ERROR 4 NO FIRE

Ignition failure. Five attempts were unsuccessful. The ignition rod is started 5 times and still does not heat up (equivalent to no particle combustion).

ERROR 5 AUGER ERR

Auger motor alarm, auger motor is not properly connected, damaged, open circuit or poor contact.

ERROR 6 FAN ERR

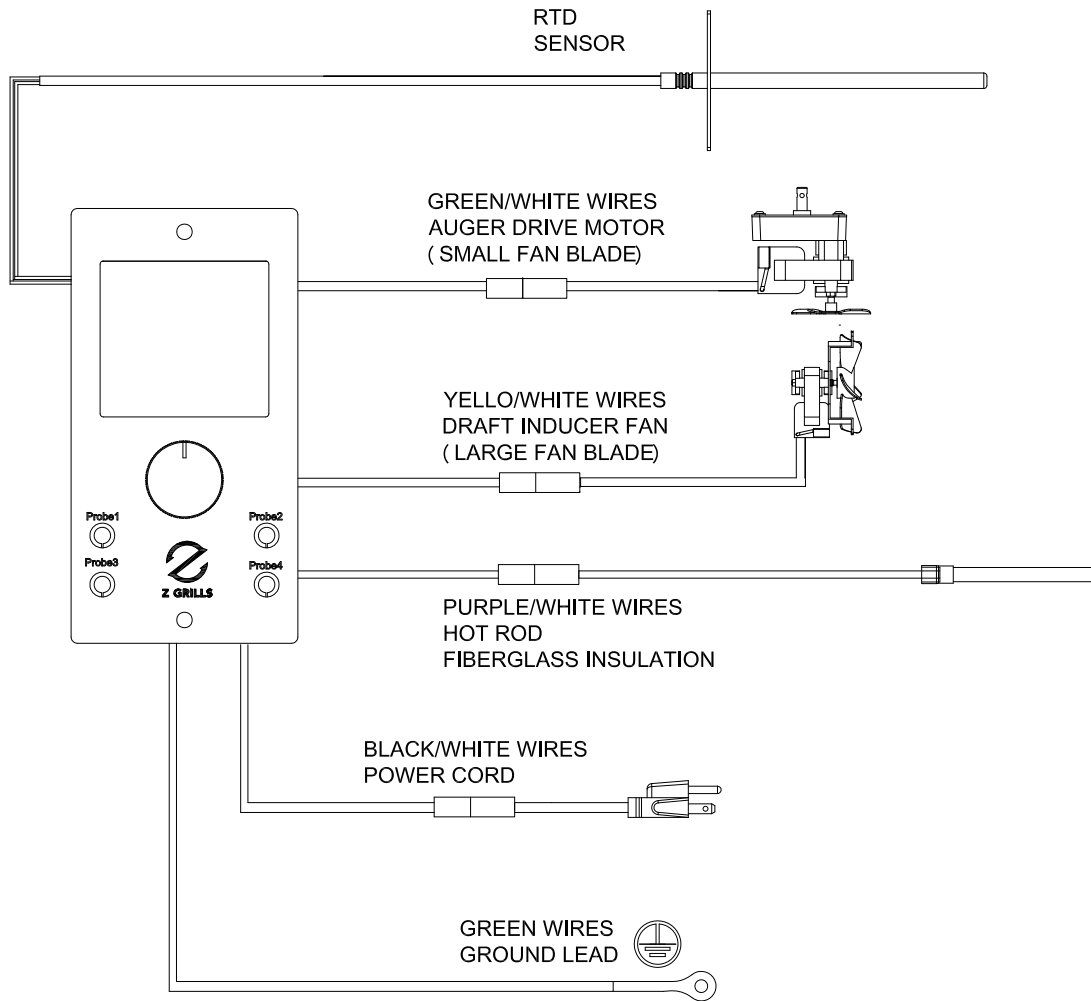
The fan alarm indicates that the fan is improperly connected, damaged, open, or in poor contact.

ERROR 7 IGNITOR ERR

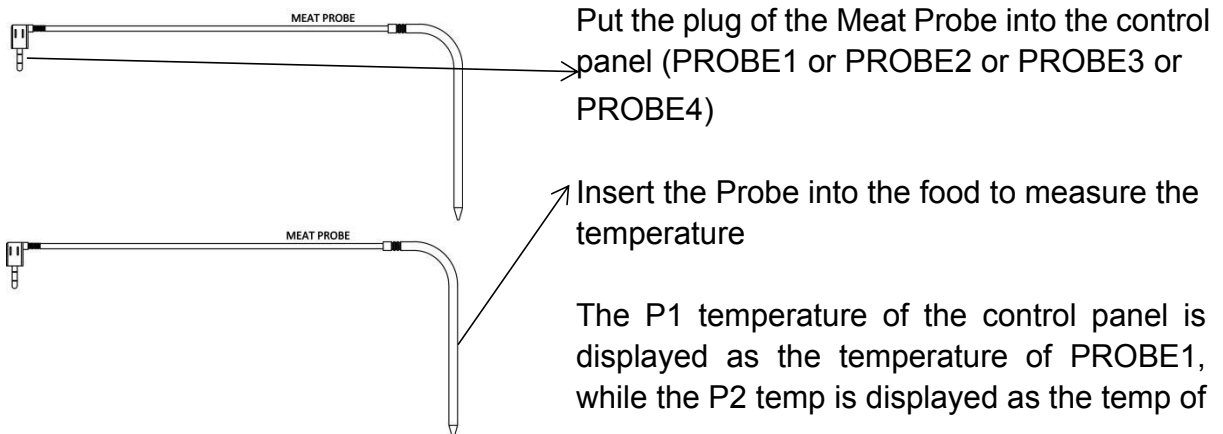
Ignition rod alarm, ignition rod is not properly connected, damaged, open or poor contact.

WARNING: DO NOT TURN OFF THE SWITCH WHILE THE FAN IS STILL WORKING ON THE SHUT DOWN CYCLE, THE GRILL WILL AUTOMATICALLY SHUT OFF WHEN THE CYCLE IS DONE. INTERRUPTION OF THE SHUT DOWN CYCLE COULD RESULT IN A FIRE IN THE HOPPER CHAMBER.

DIGITAL THERMOSTAT CONTROL WIRING DIAGRAM



Usage of the Meat Probe



Put the plug of the Meat Probe into the control panel (PROBE1 or PROBE2 or PROBE3 or PROBE4)

Insert the Probe into the food to measure the temperature

The P1 temperature of the control panel is displayed as the temperature of PROBE1, while the P2 temp is displayed as the temp of

PROBE2, the P3 temp is displayed as the temp of PROBE3, the P4 temp is displayed as the temp of PROBE4.

CONTROL BOARD

Press once the Control knob to turn on the grill, the screen will display for 1 second, and then display the code information to enter the working state, the default gear is 275F.

Press and hold for 2 seconds to enter the Menu screen. Press and Hold for 5 seconds to power off.

Menu: SHUT DOWN

TEMP UNITS :Celsius(°C) or Fahrenheit(°F)

Press and hold for 2 seconds to enter the menu screen, rotate to the right to the temperature unit adjustment screen, select °C or°F, and press the knob to confirm.

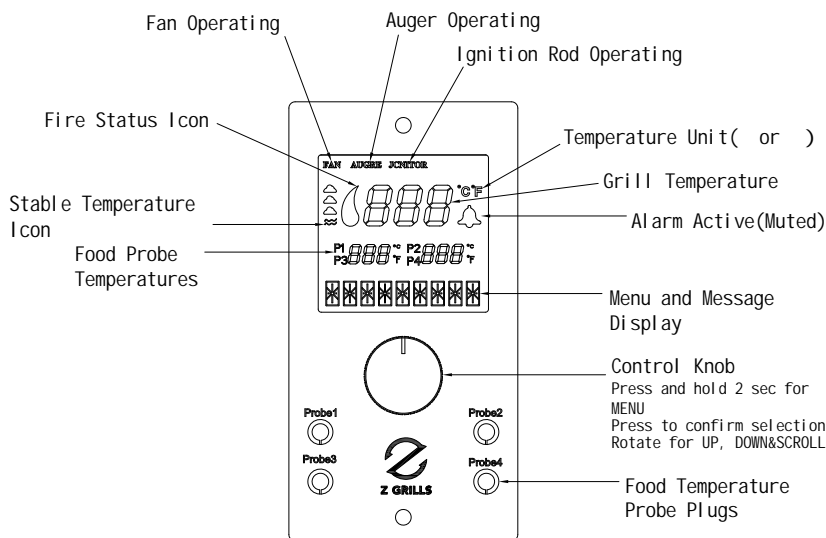
EXIT: return to the current working interface .

Temperature

1:Actual temperature from inside.

2:Desired target temperature

The product in normal operation, press once the control knob, the upper right corner temperature gear value will flash, turn the knob left and right to the target temperature, the temperature range of 160F-450F, press once the knob to confirm the target temperature, the lower right corner will display the desired target temperature.



Note: When the temperature value enters the MENU interface in the flash, the MENU content cannot be adjusted.

Shutdown method:

- Press and hold for 2 seconds to enter the menu screen and tap to shut down.
- Press and Hold for 5 seconds to power off.

Shutdown working mode:

Fan delay work, countdown 10 minutes, at this time LCD display shutdown countdown and fan work, other content will not be displayed; After the timing is complete, the screen does not display, indicating that all power off.

Z GRILLS SUPPORT

Thank you for purchasing a Z GRILL!

If you have any question, please contact customer support or your Z GRILL dealer.

Z GRILLS, INC. offers the best technical and sales support in the industry.

When calling customer please be prepared to provide the following information:

1. Dealer's name and date of purchase
2. Purchaser's name, phone number and address
3. Z GRILLS model number, serial number and part identification numbers
4. Please be prepared to describe your problem accurately so we can help you resolve your issue
5. Providing pictures or videos is beneficial

Z GRILLS CUSTOMER SERVICE

MON TO FRI, 8:00 A.M. - 5:00 P.M. PACIFIC STANDARD TIME

SERVICE CONTACT: 1-833-947-4557/1-833-ZGRILLS

EMAIL: support@zgrills.com

WEBSITE: www.zgrills.com

Z GRILLS

3-YEAR LIMITED WARRANTY

Z GRILLS, Inc. provides a 3-year warranty from the date of purchase by the original owner. This warranty applies to defects in all materials and workmanship. During the warranty period, Z GRILLS, Inc. will at its option repair or replace defective parts or units.

This limited warranty does not apply to paint, firepot, grill cover or damage caused from corrosion. Z Grills shall not be liable for transportation charges, labor costs or export duties.

Z GRILLS, Inc. takes every precaution to utilize materials that retard rust including the use of high-temperature paint where advisable. Even with these safeguards, the protective coating can be compromised by various substances and conditions beyond Z Grills' control. Humid environment, high temperature, chlorine, insecticide, salt and disinfectant are some of the substances that can affect paint and metal coatings. For these reasons, the limited warranties do not cover rust or oxidization, unless there is loss of structural integrity on the grill components.

Z GRILLS, Inc. shall not be liable if you install, operate, clean or maintain your grill without following the owners' manual instructions. Misuse, abuse, alteration and natural disasters are not included in this warranty.

INITIAL FIRING INSTRUCTIONS

Please read this manual carefully and follow it step by step before starting your Z Grills for the first time and each time the grill runs out of pellets.

1. Remove the Porcelain Grills, Warming Rack, Grease Drain Pan and Heat Baffle from the interior of the grill.
2. Open the Pellet Hopper Lid, make sure there are no foreign objects in the Auger and Hopper.
3. Plug the power cord into a 110 Volt AC grounded outlet.
4. Press once control button to turn on your Z Grill and to enter the working state, the default gear is 275F. If you want to adjust the temperature unit, please see the control board instructions.

Please check the following things:

(WARNING: Please do not touch it!)

- Confirm the Auger is turning.
- Hold your palm above the Firepot to confirm the fan is blowing air through the Firepot.
- The hotrod will heat up and you should be able to sense the heat coming from it. (It takes approximately 2 minutes.)
- **You should see a temperature number displayed on your LCD DISPLAY. If you see something different displayed it is an ERROR CODE. NOTE: PLEASE SEE TROUBLESHOOTING FOR DETAILS ON ERROR CODES.**

5. Fill the Pellet Hopper with Pellets. Turn on the grill normally. It takes 8 minutes for the Pellets to travel through the tube. When the Pellets start to drop, enter into SHUT DOWN in MENU or Press and Hold for 5 seconds to power off. **Do not unplug the power directly when in use.**

Leave grill until it shuts off automatically.

6. Open the lid, Place components back in place. Then turn the Temperature Dial to highest level (450F), 10 minutes later, when you see whitish-gray smoke coming out of the grill, close the lid and let grill run for 30 minutes at this setting to rid it of anti-rust oil.

This step must be done before cooking any food.

Now, you can turn the Temperature Dial to any cooking setting desired.