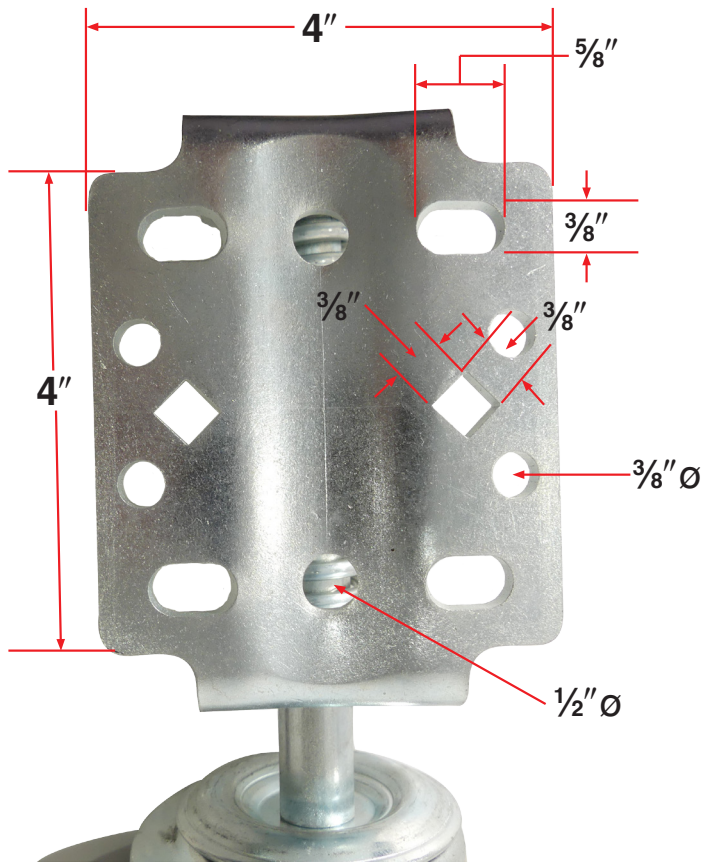


# E-Z OPEN

# 00945

## 8" SWIVEL GATE CASTER



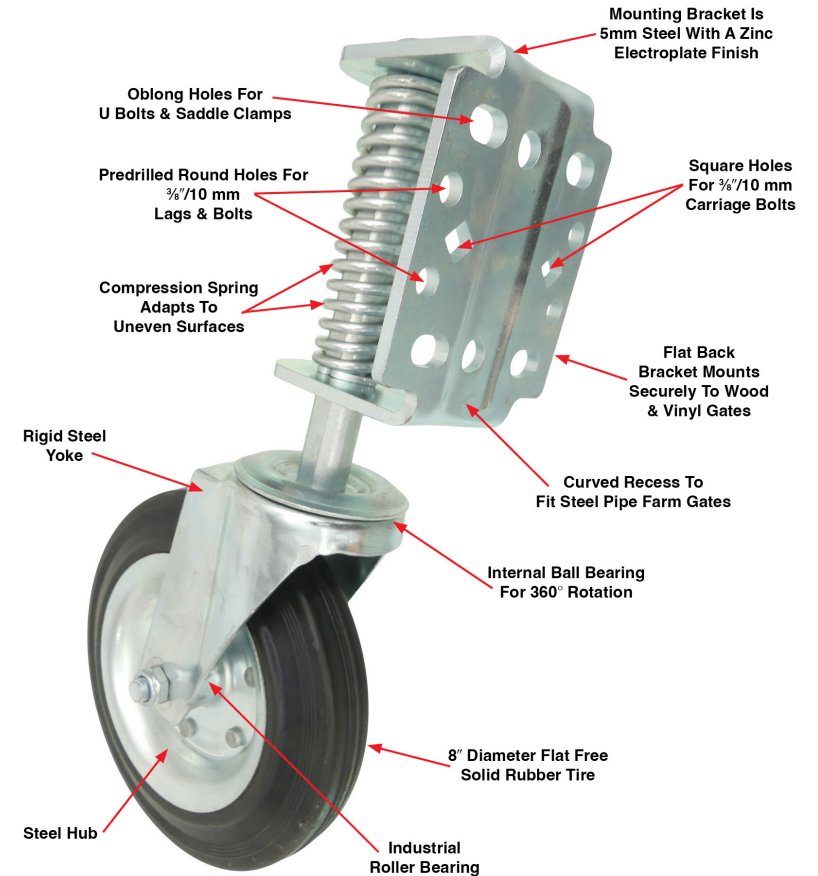
### WARRANTY AND DISCLAIMERS

Tech Team Products, Inc. guarantees that its products are free from defects in material and workmanship for a period of 90 days from the original date of purchase. For electronic items (anything that requires a battery), the warranty period is also 90 days. This Warranty applies to non-commercial use only. Commercial use voids this warranty. In the event of any defects in material or workmanship, Tech Team Products, Inc.'s sole liability therefore shall be the replacement of any such product(s) and/or components that are defective in material or workmanship. The replacement of any such product(s) and/or components shall be Tech Team Products, Inc.'s sole responsibility. This warranty specifically excludes any and all consequential or accidental damages. No other warranties or liabilities whatsoever are either expressed or implied. If any such warranties shall be imposed by law, notwithstanding this provision, then such warranties shall be the responsibility of Tech Team Products, Inc.'s reseller if applicable. There shall be no warranties of merchantability, use of trade, or fitness for a particular purpose. Alteration of any product, misuse, or exceeding any stated product limitations voids this warranty. It should be obvious when using some of these products that approved protective safety gear, including, but not limited to, eye and ear protection, should be utilized. Using the appropriate safety gear is the sole responsibility of the person(s) using the product. It should also be obvious that certain products must not be consumed, inhaled, or taken internally. The user takes full responsibility for inappropriate or incorrect use of these items. Accessories used in many of our product pictures are props to illustrate how the products are used. As such, they are not included with any product. All photographs, drawings, copy, instructions, etc. are the exclusive property of Tech Team Products, Inc. All downloadable files are intended for the use of the end user of Tech Team Products, Inc.'s products and cannot be reproduced without the express written permission of Tech Team Products, Inc.'s 2024

# TECH TEAM

# 00945

## E-Z OPEN 8" SWIVEL GATE CASTER



At Tech Team we have reengineered the mounting system for the 8" heavy duty swivel gate caster so that it can be quickly, and easily, attached to wood, vinyl, and steel tube farm gates.

In the course of shipping and packing, parts may end up missing or damaged- call us at 631.673.5975. 10:00 a.m - 4:00 p.m. Eastern Time. We will promptly send replacements.

If you have had experience with 8" swivel gate casters, you would know that they usually have a narrow mounting bracket with only 2 holes that are about 1" from the spring which limits clearance and can make installation problematic. We have reengineered the bracket so that there are 4 mounting holes conveniently located and we have included 2 square 10.1 x 10.1mm holes that will accept M10 or 3/8" carriage bolts. To top it off and make it a great option for 1 5/8" up to 2" diameter tubular steel farm / cattle gates, we have made a curved slot down the back of the bracket and included slotted holes that can accommodate clamps. Since we know that farm / cattle gates and pipe frame gates will be a primary application for this caster we have included 2 special flat back clamps. Unfortunately, since the range of other applications is large, and varied, you will need to furnish the necessary nuts, bolts, screws, or lags for attachment to wood and vinyl gates.



The square holes are for carriage bolts. The hole secures the square shank under the head of the bolt so that holding back is unnecessary.



One of the best ways to install this caster on a heavy gate is to use a jack or similar device to elevate the end of the gate to the height where you want the gate to rest, add about 1" to compensate for gravity, and then secure the caster to the gate.



**THIS IS A VERY IMPORTANT POINT.** When the gate swings one way, the caster will follow, when it swings the other way, the caster will reverse and if you have not allowed enough clearance under the gate, the caster will bind against the gate! Since the wheel is 8" diameter, this means that you should allow at least 9" under the gate after the end of the gate has settled.