

FRASER HILL FARM®

Thank you for your purchase!

With proper use and care, this product will provide you with years of enjoyment. If you have any questions, please contact us directly.

✉ **Holiday@FraserHillFarm.com** (Anytime)

☎ **855-591-7451**

(9AM to 9PM Eastern Time, Monday - Friday)

(9AM to 5PM Saturday - Sunday)

In the unlikely event that you experience a problem, please provide pictures and a description of the problem, a receipt (if available), name and address of the purchaser and the name of retailer where you purchased the product.

Please do not return this item to the retailer.

Please call our toll-free number 1 (855) 591-7451 or email us at Holiday@FraserHillFarm.com and a customer service representative will assist you.

ENJOY YOUR HOLIDAY!

FFCHLED072-NC1-MLT– 72” LED Tinsel Nutcracker

IMPORTANT SAFETY INSTRUCTIONS READ AND FOLLOW ALL SAFETY INSTRUCTIONS

CAUTION:

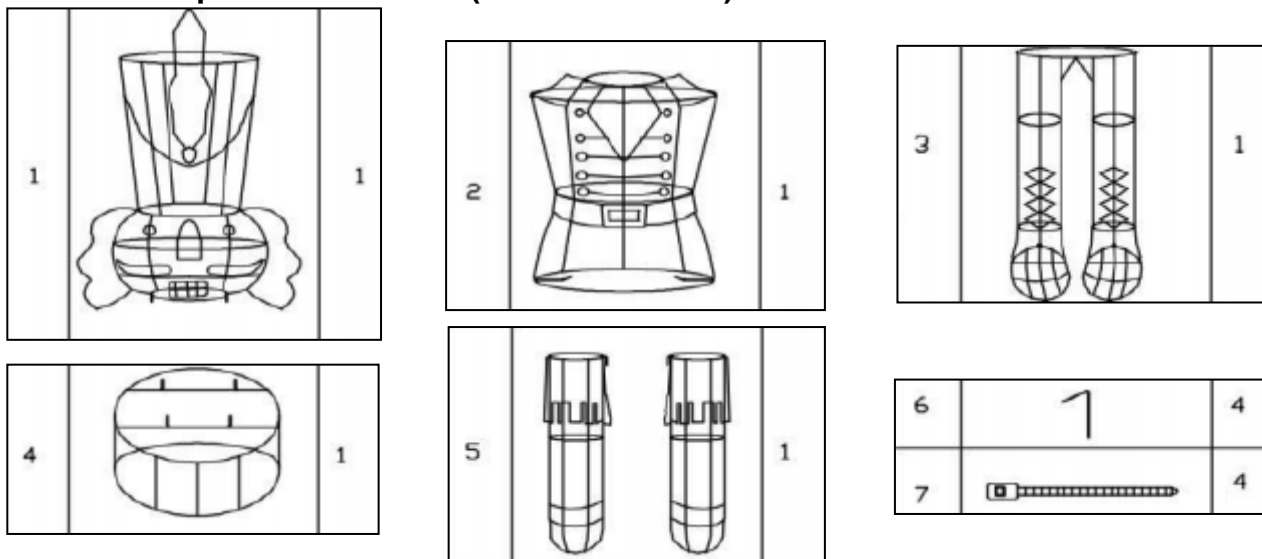
- Product is intended for INDOOR & OUTDOOR use.
- Transformer is intended for INDOOR & OUTDOOR use.
- Do not mount or place the product near gas or electric heaters, fireplaces, candles, or other similar sources.
- Do not use product outdoors in case of extreme weather conditions.
- Keep the product well ventilated. Do not cover product with cloth, paper, or any material not part of the product when in use.
- Do not use with a voltage converter. Use only with the outdoor/indoor transformer that is provided.
- Do not leave product unattended when children are present.
- Unplug the product when leaving the house, when retiring for the night, or if left unattended.
- Never operate the product if it has a damaged cord or plug. In case the external flexible cable or cord of the transformer is damaged: **DO NOT USE THE TRANSFORMER. DO NOT OPEN TO REWIRE! THROW TRANSFORMER AWAY.**
- Do not use this product for any purpose other than its intended use.
- Do not secure wiring of the product with sharp hooks or nails.
- Not intended for permanent installation.
- This is an electric product - not a toy! To avoid risk of fire, burns, personal injury and electric shock, it should not be played with or placed where children can reach it.

CARE AND MAINTENANCE

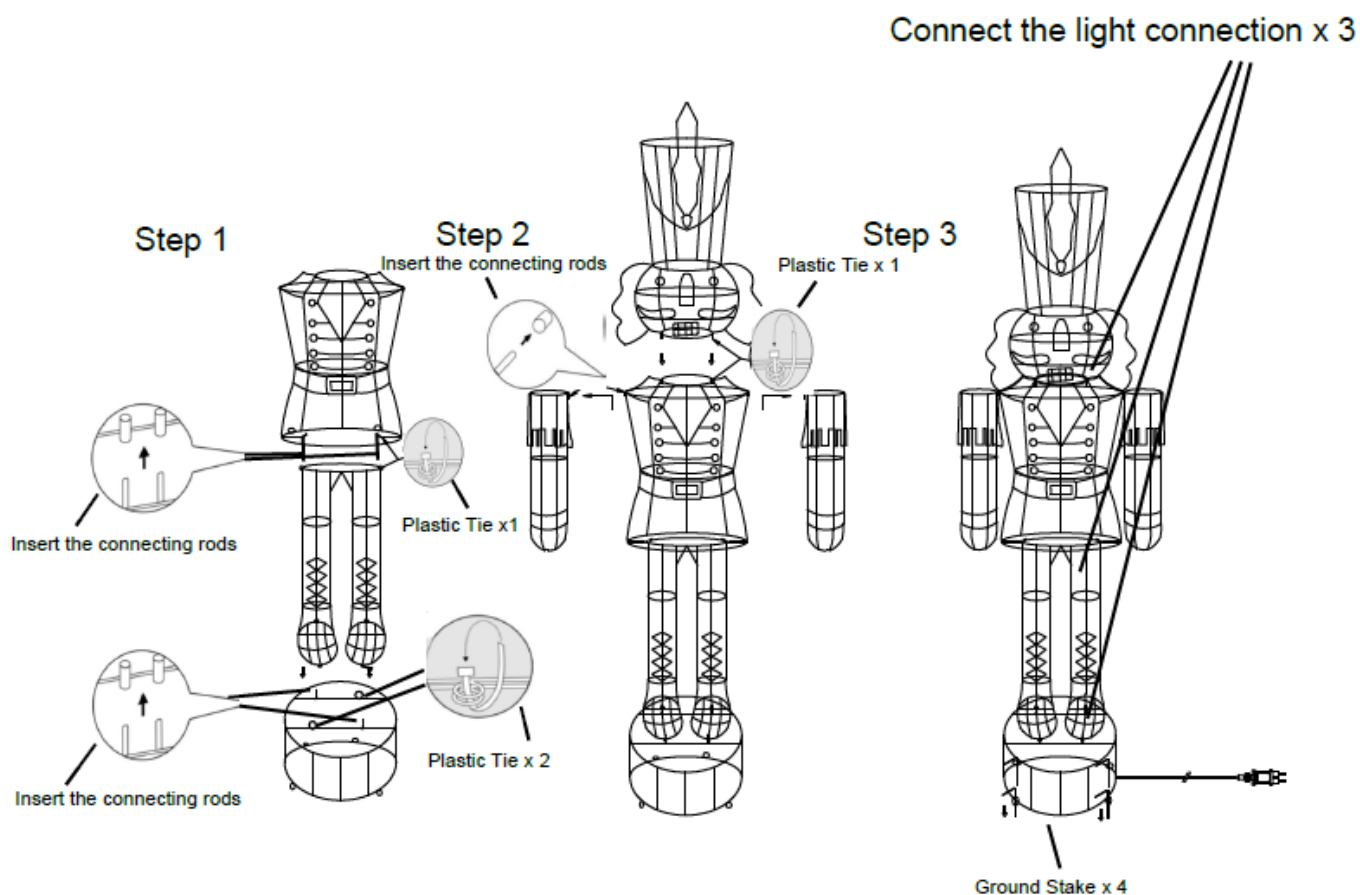
- Before using or reusing, inspect product carefully. Discard any product that has cut, damaged or frayed wire insulation or cords, or exposed copper wire.
- When not in use, store neatly in a cool, dry location protected from sunlight.
Reminder: The lights on the product are not designed to be replaced.

ASSEMBLY INSTRUCTIONS

1. Remove all the parts from carton (as shown below).



2. Connect the body to the legs then attach the legs to the base (see step 1 below).
3. Connect the arms and the head to the body (see step 2 below).
4. Connect the lights at 5 points (see step 3 below).
5. If displayed outside, the ground stakes can be used to stabilize your nutcracker (see step 3 below).



SEASONAL-USE TRANSFORMER USED ON THE ITEM:

POWER SUPPLY: 30V Adaptor, IP44 Rainproof

INPUT: 120V AC 50/60Hz

OUTPUT: 30V DC

DO NOT CONNECT THE POWER SUPPLY TO THE DECOR WHILE IN PACKAGING.

TROUBLESHOOTING

If the product does not light:

1. Make sure the transformer is connected to a power supply.
2. Make sure the product is properly connected to the transformer.

SAVE THESE INSTRUCTIONS!

1-YEAR LIMITED WARRANTY

“Limited” Warranty Program

For a period of one (1) year after purchase, Fraser Hill Farm (“Manufacturer”) will either repair or replace defective components in accordance with this Limited Warranty.

Sales and use taxes, plus shipping and handling charges are the responsibility of the consumer.

This warranty is between Manufacturer and the original purchaser and is valid only when accompanied by the original purchaser’s sales receipt showing original date of purchase and location of purchase. Replacements under this warranty revert back to the date of original purchase for future warranty.

Manufacturer or its authorized dealer can accept or reject warranty claims based on its findings. This warranty applies in normal residential use only, where an issue with the product is due to a defect in material or workmanship. Manufacturer can make substitutions as required of materials, components, and sub-components of comparable value and utility. This warranty is limited to product repair or replacement (to be determined solely by Manufacturer). Warranty return is limited to only the single affected component.

This warranty covers only manufacturing defects and does not cover normal wear and tear, abuse or misuse, including: water damage, chemical damage, exposure to extreme heat or cold, abrasion or excessive weight. This product is intended to be used with standard ornaments only. This warranty is invalid if the product is not used for intended purpose. Manufacturer disclaims liability for any aspect of installation and any inconvenience caused by a defective part or component.

Certain items are not covered by this warranty. These include, but are not limited to the following:

1. Components subjected to abuse, including abuse intended to simulate failure.
2. Damages caused by retailer, shipper or installation crew (such as scratches, dents, tears, etc.).
3. Any part which merely exhibits normal wear yet functions essentially as new, including stretching of materials and stitching.
4. Tears, punctures, scratches or any damage caused by improper installation or use.
5. Items sold “as is” or floor models.

To make a claim, send a copy of the original sales receipt along with a brief description of the problem to the email address below. Please include your email address and daytime telephone or cell phone #. All items maybe charged actual freight and handling costs. Repairs or replacement will be made at the Manufacturer’s option.

THIS IS THE ENTIRE EXCLUSIVE EXPRESS LIMITED LIABILITY. THE MANUFACTURER NEITHER MAKES NOR IS RESPONSIBLE FOR ANY OTHER WARRANTIES, EITHER EXPRESS OR IMPLIED, INCLUDING THOSE OF RETAILING DEALERS. THIS EXCLUSIVE REMEDY IS LIMITED TO RECEIPT OF A CREDIT IN CONNECTION WITH THE REPAIR OR REPLACEMENT OF ANY PRODUCT OR COMPONENT DEEMED TO BE DEFECTIVE UNDER THE TERMS AND CONDITIONS AS STATED IN THIS WARRANTY. NEITHER FRASER HILL FARM, THE PRODUCT MANUFACTURER NOR ITS AGENTS SHALL BE LIABLE IN ANY CASE FOR INCIDENTAL, INDIRECT, SPECIAL OR CONSEQUENTIAL DAMAGES RESULTING FROM THE USE OF THIS PRODUCT OR ARISING OUT OF ANY BREACH OF THIS WARRANTY OR NEGLIGENCE EVEN IF IT HAS BEEN ADVISED OF THE POSSIBILITY OF SUCH DAMAGES. EXCEPT AS OTHERWISE MAY BE REQUIRED BY LAW, THERE ARE NO OTHER EXPRESS OR IMPLIED WARRANTIES OTHER THAN THE WARRANTY DESCRIBED HEREIN, AND ALL OTHER WARRANTIES, INCLUDING ANY IMPLIED WARRANTY OF MERCHANTABILITY OR FITNESS FOR A PARTICULAR PURPOSE ARE EXPRESSLY DISCLAIMED.

Holiday@FraserHillFarm.com