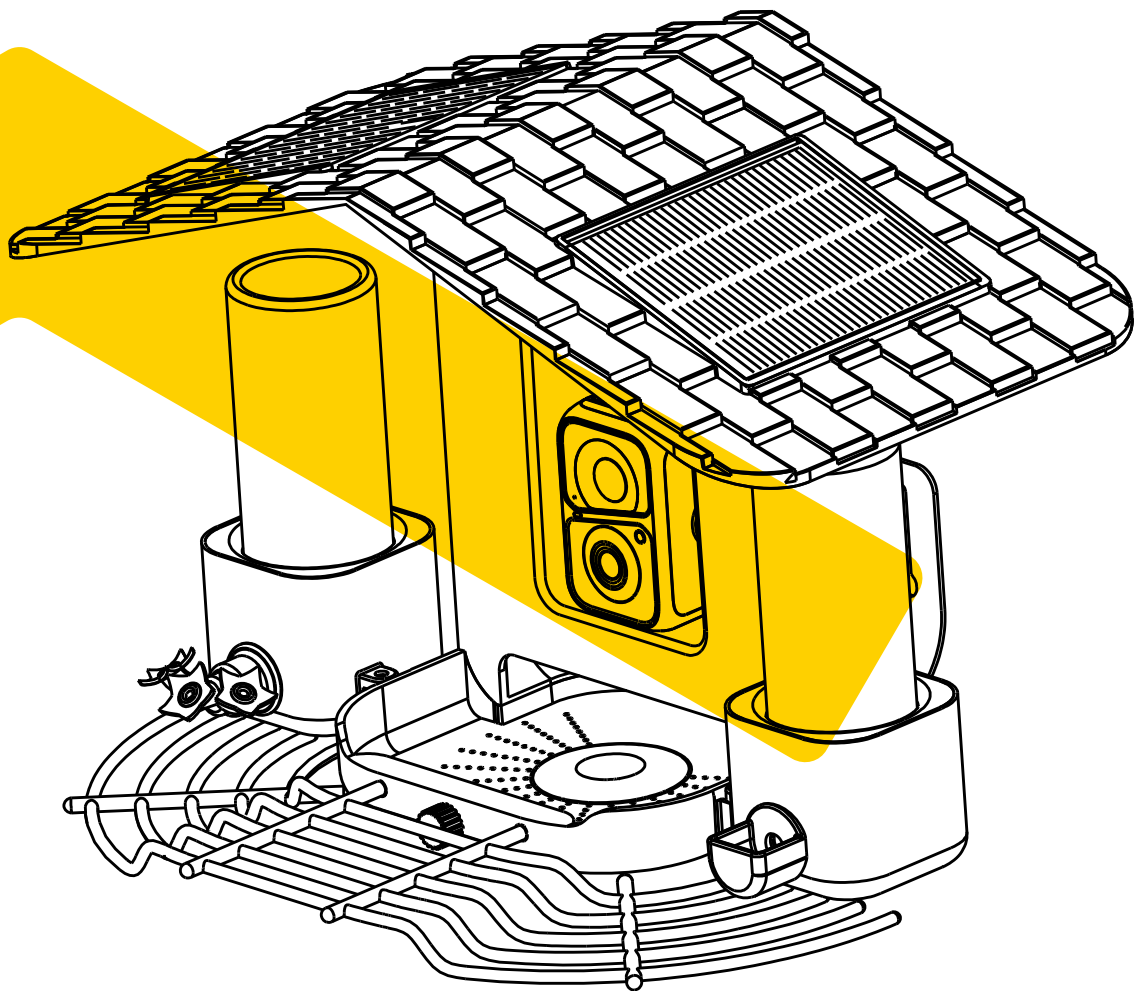


AIR BIRD FEEDER QUICK GUIDE MANUAL

AIR106



Warning

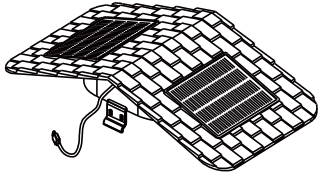
- NOTE: This equipment has been tested and found to comply with the limits for a Class B digital device, pursuant to part 15 of the FCC Rules. These limits are designed to provide reasonable protection against harmful interference in a residential installation. This equipment generates uses and can radiate radio frequency energy and, if not installed and used in accordance with the instructions, may cause harmful interference to radio communications. However, there is no guarantee that interference will not occur in a particular installation. If this equipment does cause harmful interference to radio or television reception, which can be determined by turning the equipment off and on, the user is encouraged to try to correct the interference by one or more of the following measures:
 - -Reorient or relocate the receiving antenna.
 - -Increase the separation between the equipment and receiver.
 - -Connect the equipment into an outlet on a circuit different from that to which the receiver is connected.
 - -Consult the dealer or an experienced radio/TV technician for help.
 - The antennas used for this transmitter must be installed to provide a separation distance of at least 20 cm from all persons and must not be co-located for operating in conjunction with any other antenna or transmitter.
 - FCC (USA) 15.9 prohibition against eavesdropping except for the operations of law enforcement officers conducted under lawful authority, no person shall use, either directly or indirectly, a device operated pursuant to the provision of this part for the purpose of overhearing or recording the private conversations of other unless such use is authorized by all of the parties engaging in the conversation. Changes or modifications not expressly approved by the party responsible for compliance could void the user's authority to operate the equipment.
 - FCCID: 2AY58-V1-VN-DB01

- **IC Caution:**
- This device contains licence-exempt transmitter(s)/receiver(s) that comply with Innovation, Science and Economic Development Canada's licence-exempt RSS(s).
- Operation is subject to the following two conditions:
- This device may not cause interference.
- This device must accept any interference, including interference that may cause undesired operation of the device.
- **CE RED** This product can be used across EU member states.

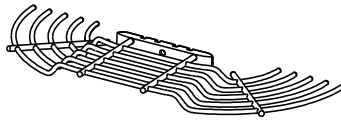
Catalog

- 1.What's In The Box P . 4-6
- 2.Camera Structure P . 7-8
- 3.Insert Micro SD Card P . 9
- 4.Assemble Bird Feeder P . 10-13
- 5.Battery Charging P .14
- 6.How To Turn On & Off The Camera P . 15
- 7.Read Before Installation P . 16
- 8.Set Up With Vicohome App P . 17-25
- 9.Installation Instructions P . 26-33
- 10.Cleaning Bird Feeder P . 34-39
- 11.How To Add Bird Seed P . 40-43
- 12.Status Light P . 44
- 13.AI Bird Recognition P . 45
- 14.Product Specifications And Parameters P . 46

What's In The Box



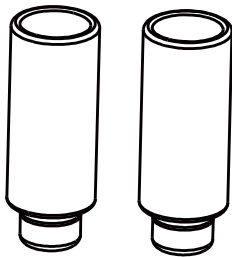
Roof



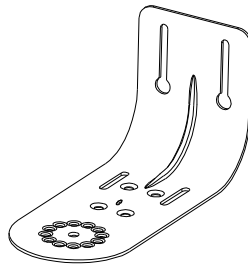
Perch



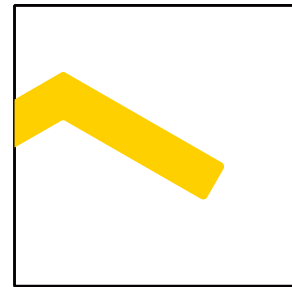
Bird Feeder



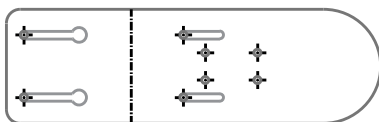
Bottle



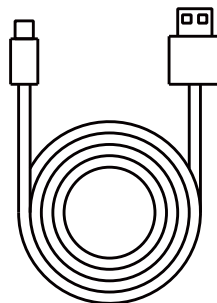
Mounting Bracket



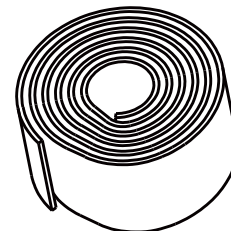
Manual



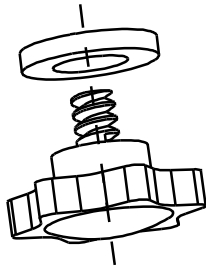
Drilling Template



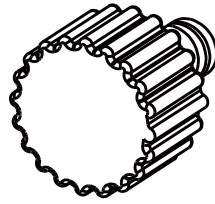
Type C Power Cable



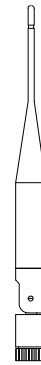
Black Strap



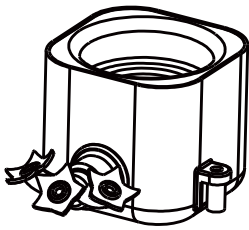
Adding a washer for greater stability



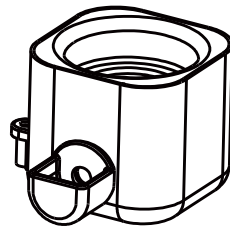
Perch Screw



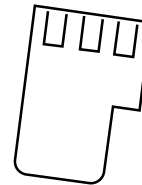
Antenna



Honey Bottle Holder



Water Bottle Holder

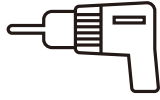


SD card

Tools Required



Phillips
screwdriver



Drill
(Recommended)



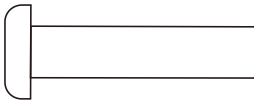
2PERSON
ASSEMBLY



Approximately
30 Minutes
Assembly

HARDWARE

Lock Pin
2PCS+2spare



P1

Anchors
4PCS+2spare



P2

A5x50mm
2PCS+1spare



P3

A5x25mm
2PCS+1spare



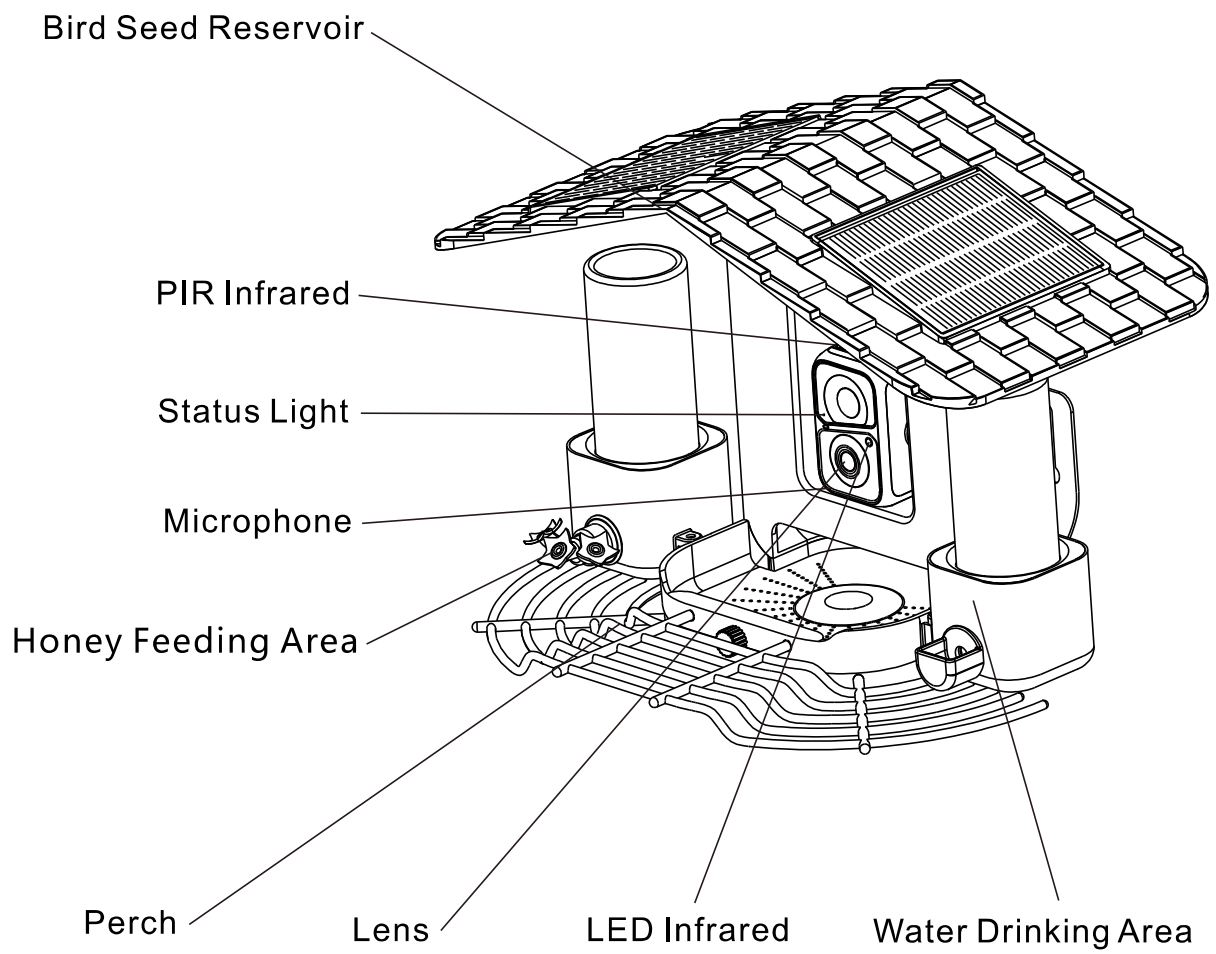
P4

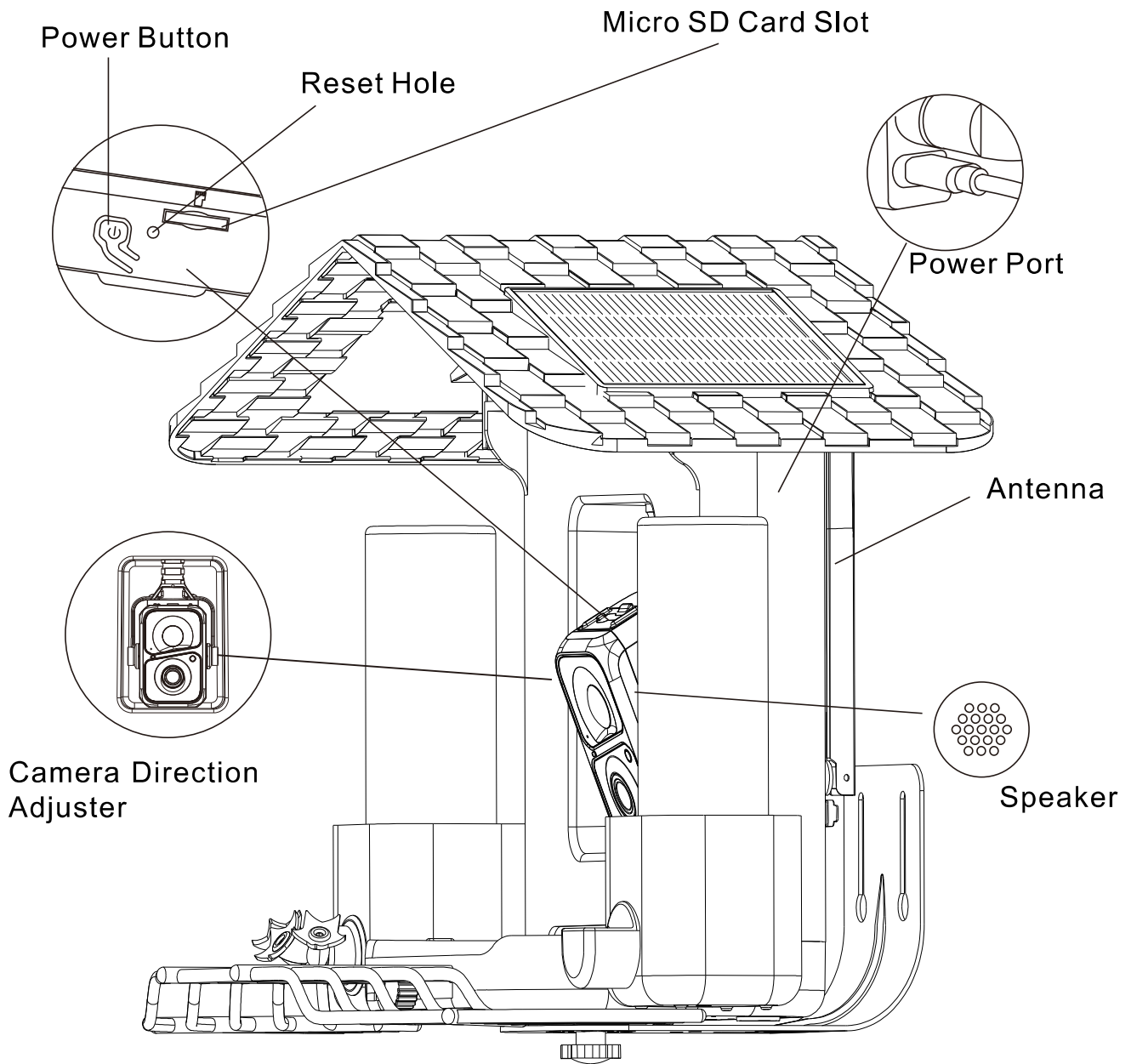
Nylon ties
1PC



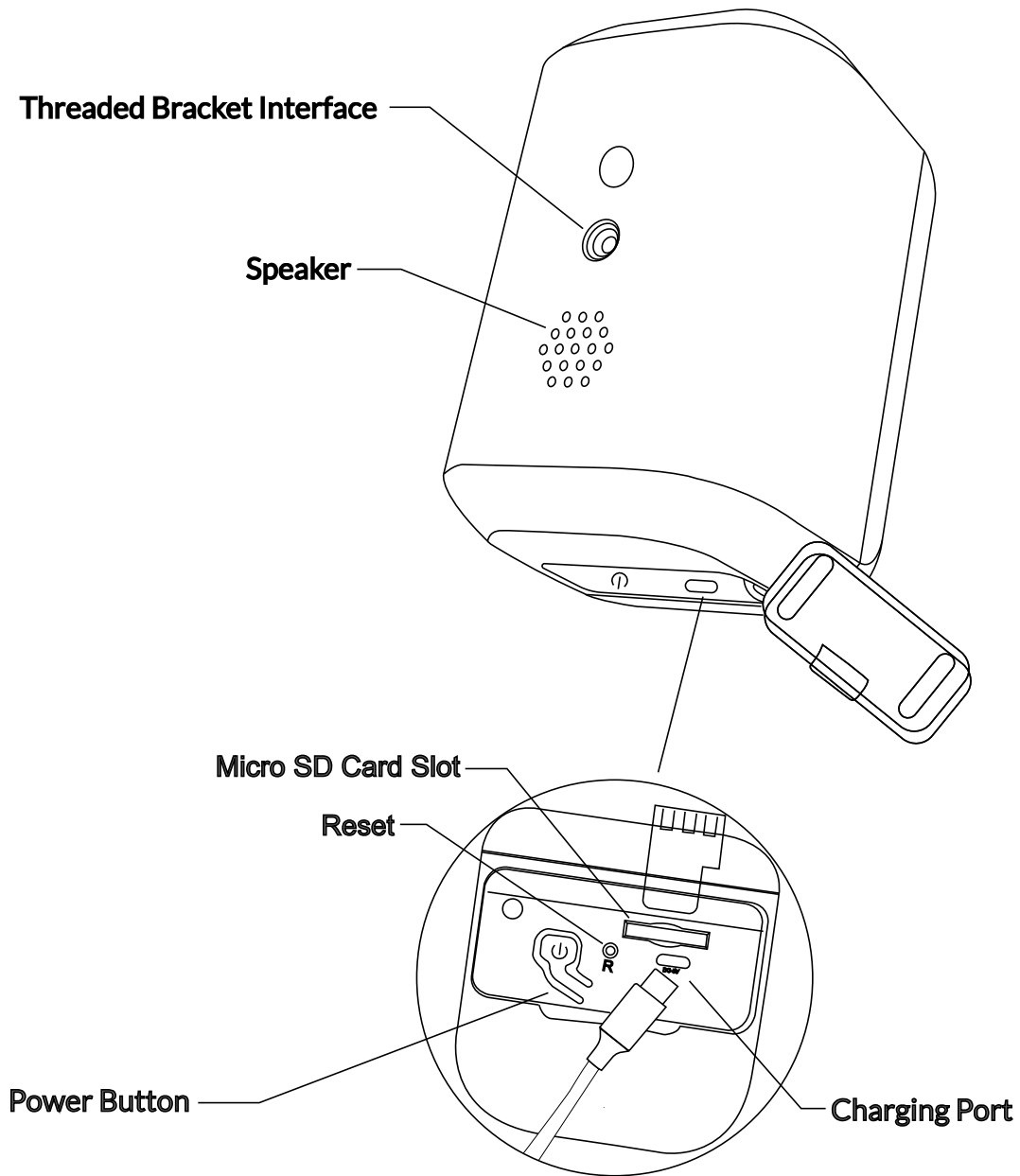
P5

Camera Structure



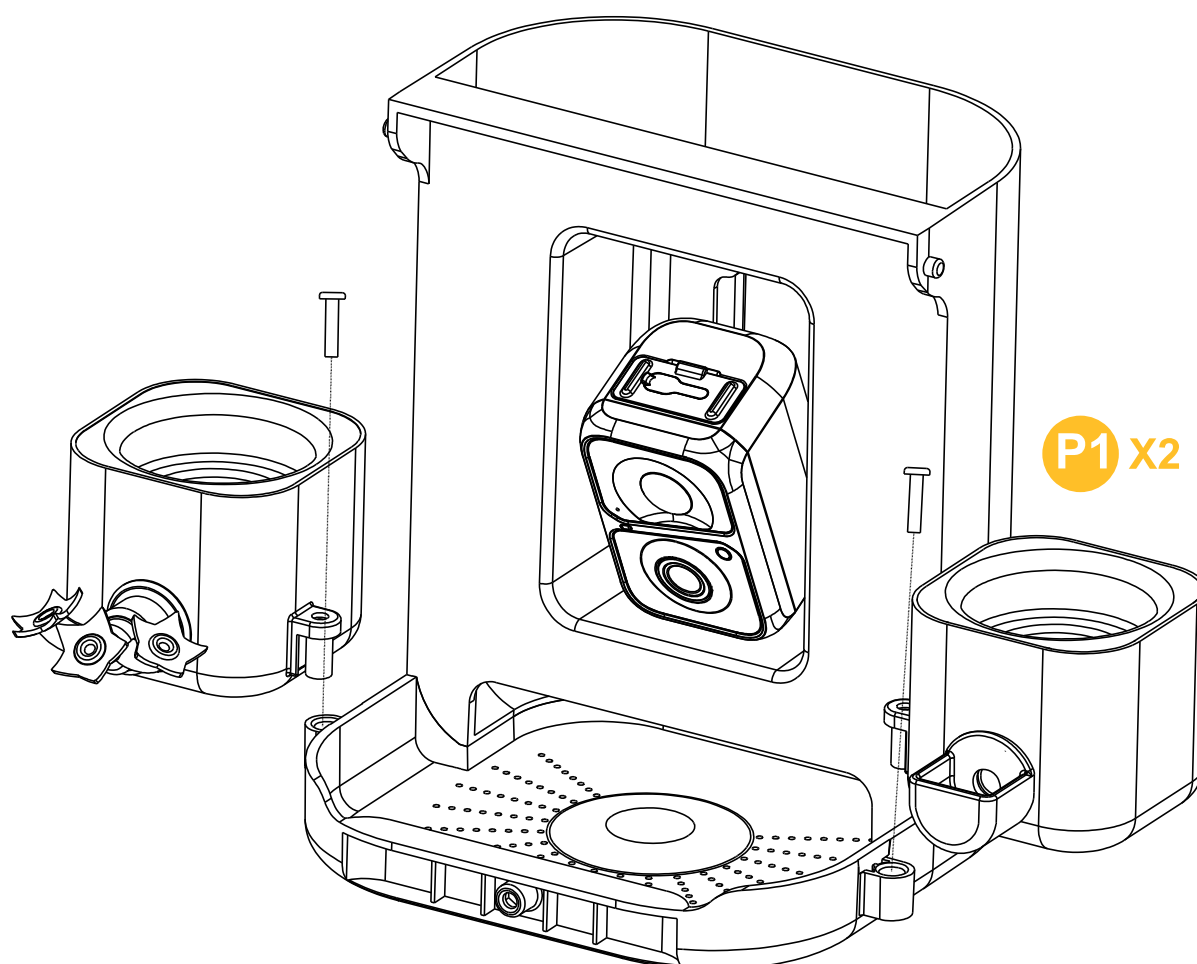


Insert Micro SD Card

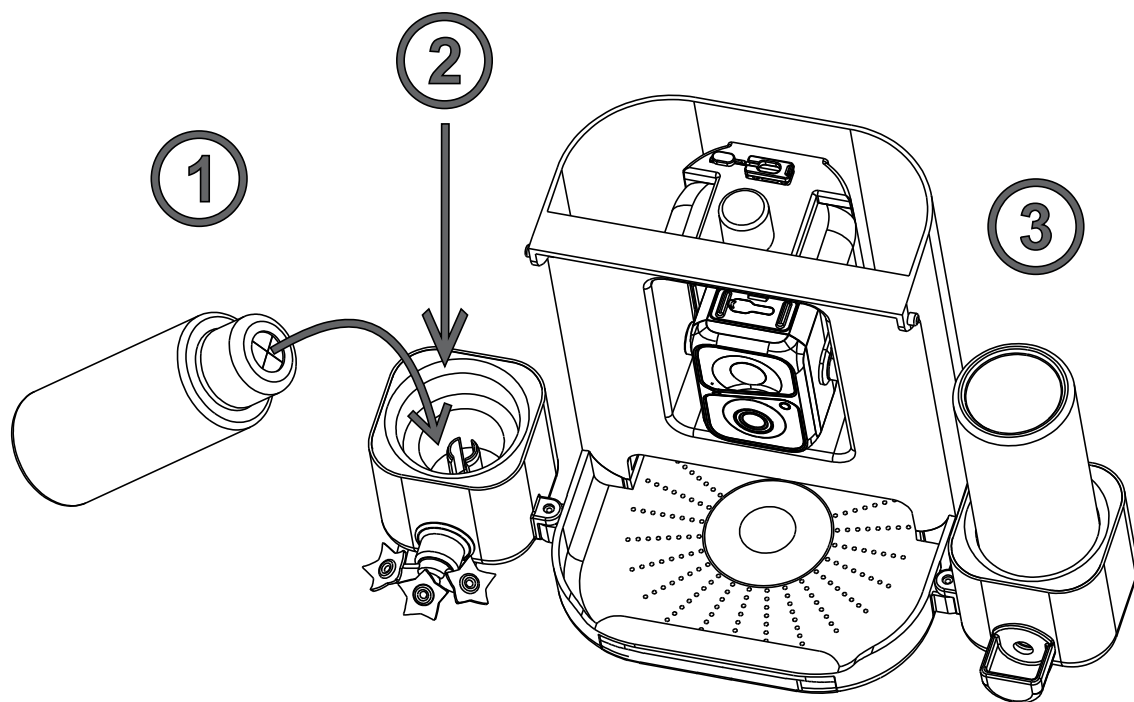


- Bird Cam comes with a built-in card slot which supports up to 64G Micro SD card.
- **Step 1:** Rotate the camera down to the bottom.
- **Step 2:** Open the top silicone plug. Insert the Micro SD card. Make sure to plug it in the right direction.
- **Step 3:** Cover the silicone plug after insertion.
- **Step 4:** Once you've inserted the SD card, follow the camera's voice instructions within the app to format it. This will ensure the SD card is ready for use.

Assemble Bird Feeder

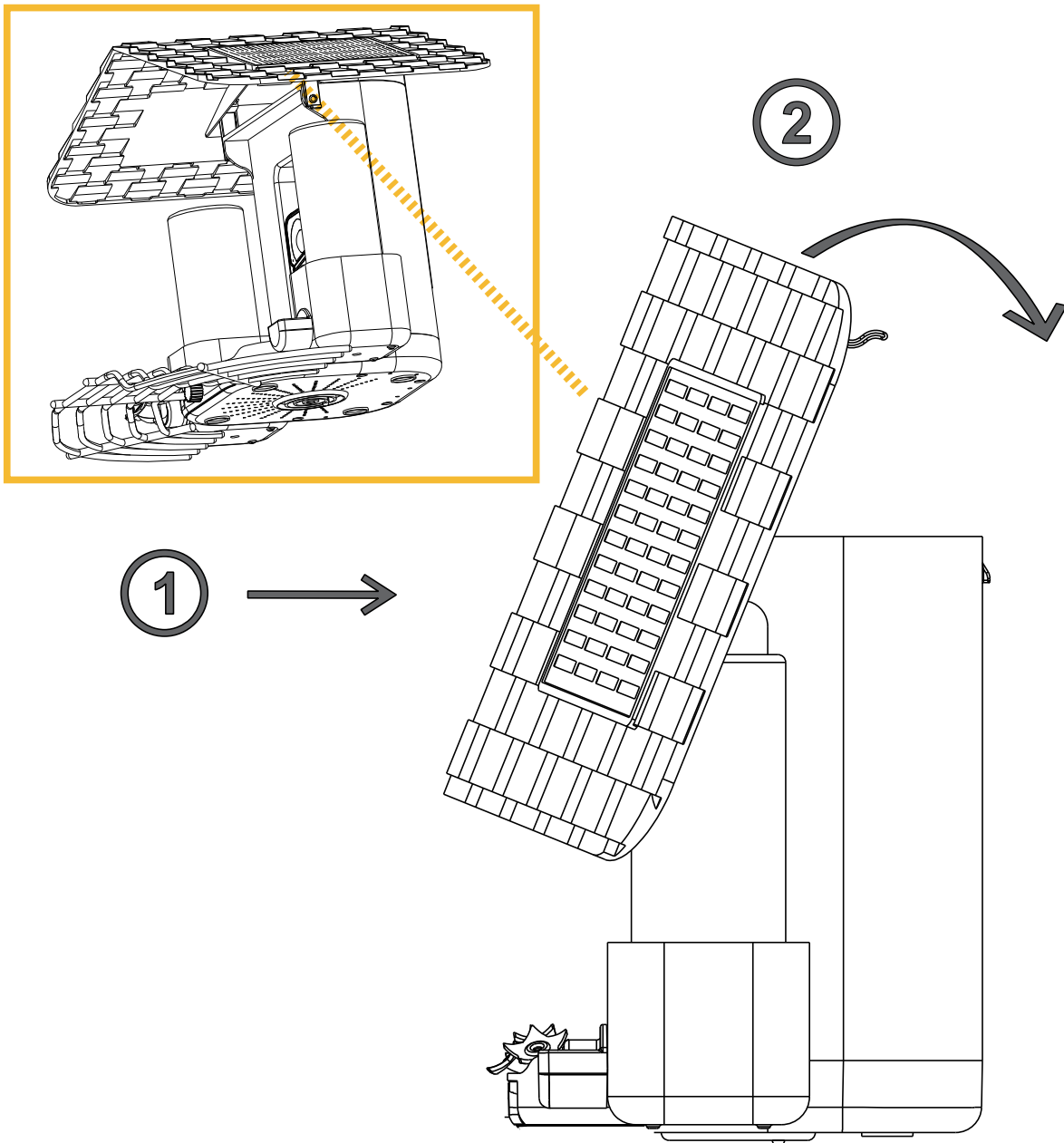


- **Assemble the bottle holders**
- **Step 1:** Insert the left and right bottle holders into the holes of the main body from top to bottom respectively after aligning them.
- **Step 2:** Insert the lock pins into the holes of the bottle holders respectively.



- **Assemble the bottle**

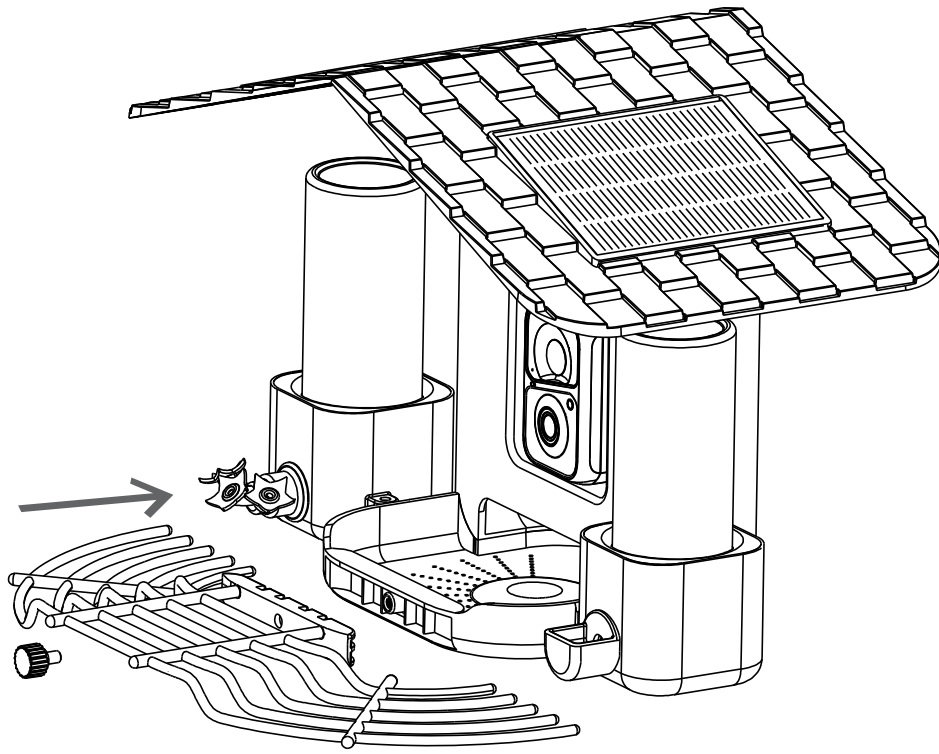
- **Step 1:** Align the bottle with cushioned cap with the bottle holder upside down.
- **Step 2:** Press down on the bottom of the bottle to insert it into the bottle holder.
- **Step 3:** Repeat the above steps to install the bottle on the right.



- **Assemble the roof**

- **Step 1:** Face up the side of the roof with the buckles. Align the small pillar on both the left and right side with the buckles of the white bird seed container. Push down to insert.

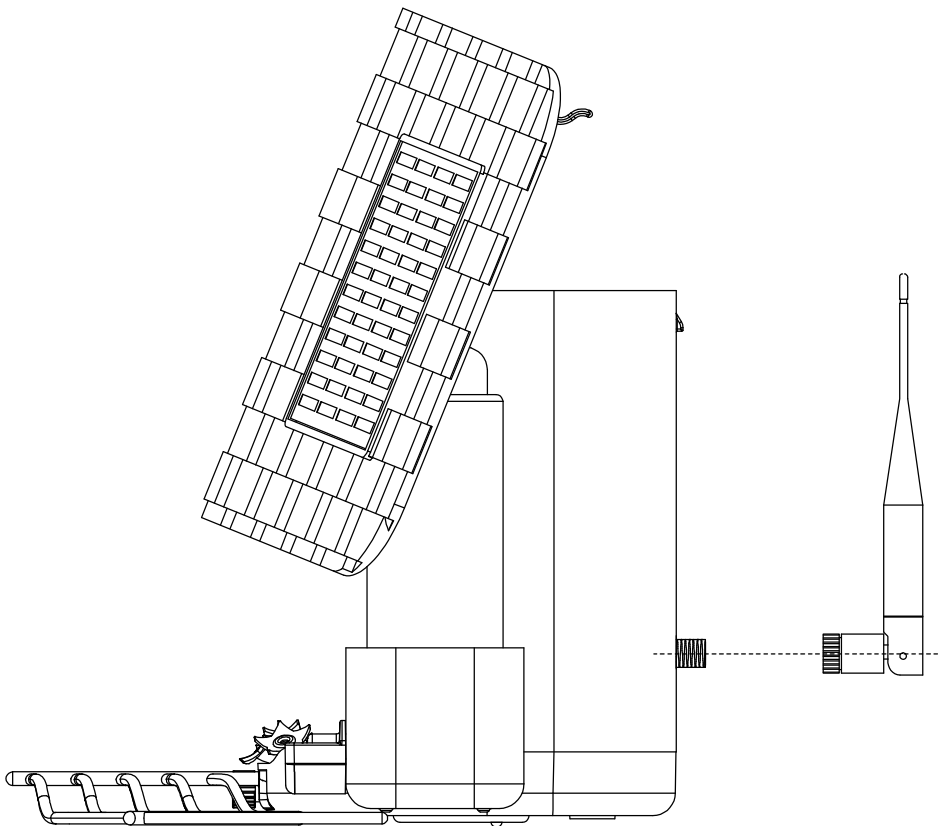
- **Step 2:** Then rotate back to install the buckle behind the white bird seed container.



- **Assemble the perch**

- **Step 1:** Use the provided perch screw to install the perch.

-

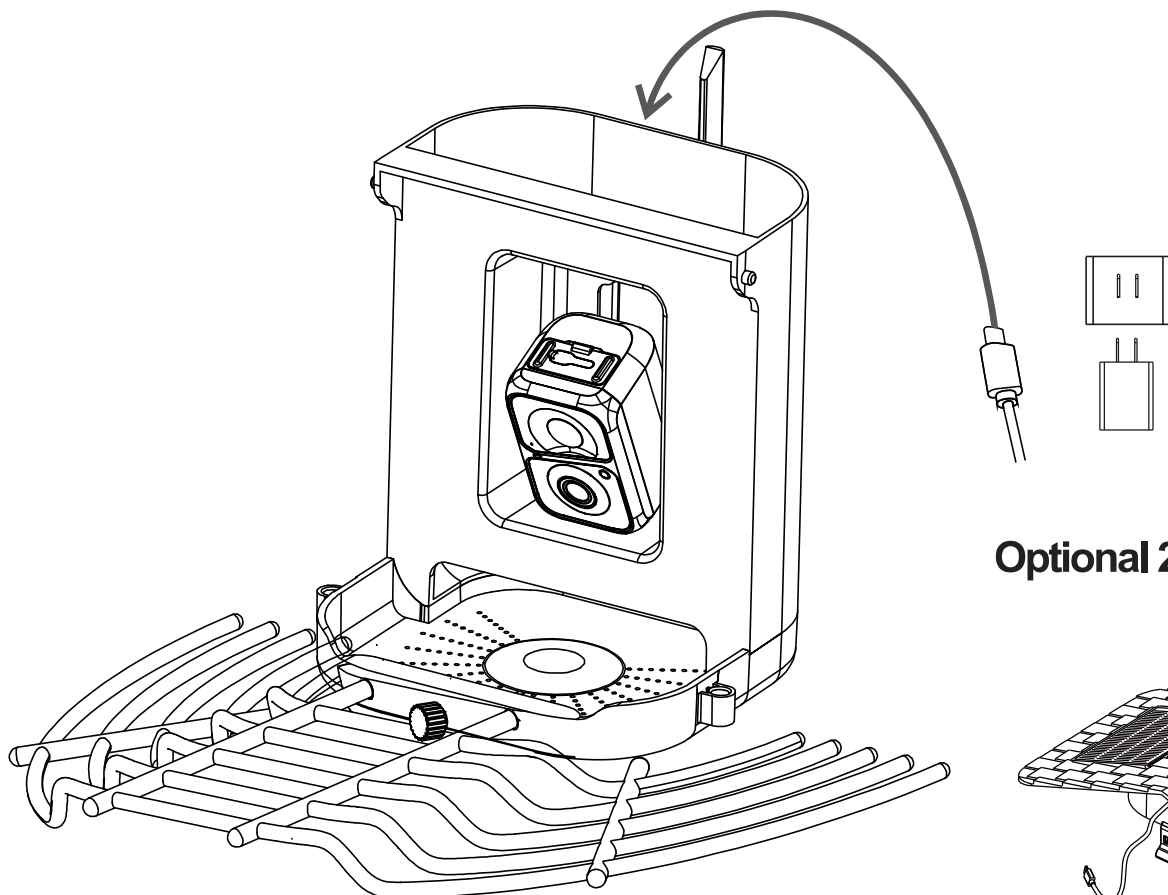


- **Assemble the antenna**

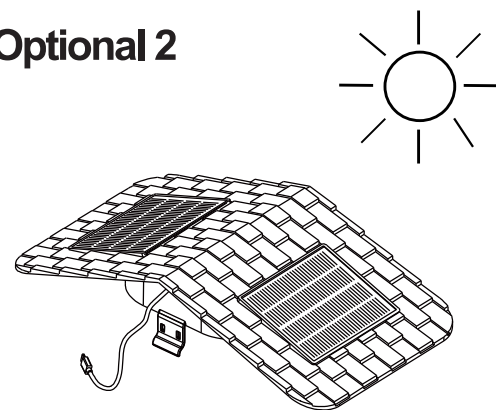
- **Step 1:** Align the antenna with the copper axis and turn clockwise to tighten it.

Battery Charging

Optional 1



Optional 2

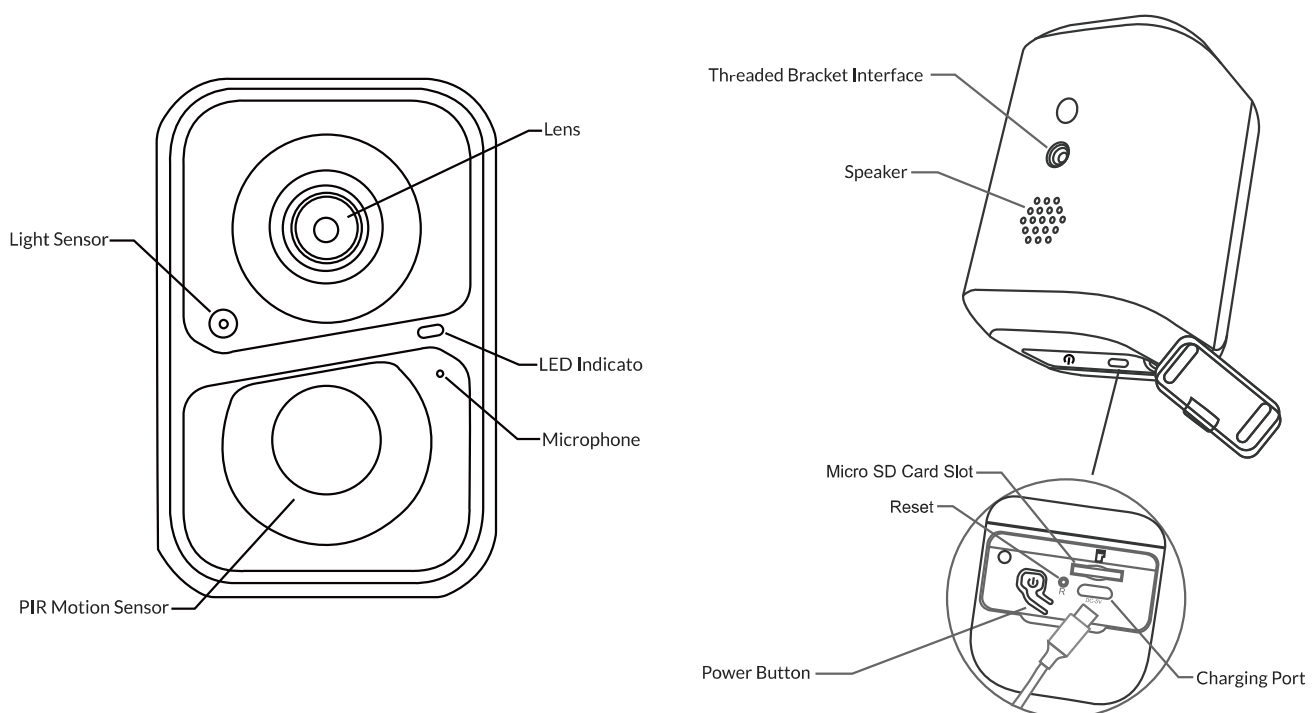


- 1.The battery inside the camera is not fully charged according to the transportation safety regulations. Please fully charge the camera before using it. Please charge the battery with provided Type C Port Cable (DC5V / 1.5A adapter not included).
- 2.To ensure uninterrupted usage, you can connect the power cord to the device's built-in solar panel in everyday situations. This allows the camera to continuously supplement its power.
- 3.The status light will be in solid yellow when charging, and will turn to solid green when it is fully charged. It takes about 14 hours to fully charge your camera.

How To Turn On & Off The Camera

- **To turn on the camera:**

Long press the power button for 3s to turn on the camera. Then the status light in the front of the camera will be solid blue. Double press the power button to enter Wi-Fi mode after the prompt tone.



- **To turn off the camera:**

Long press the power button for 3s to turn off the camera. Then the status light in the front of the camera will be off.

Read Before Installation

- 1.Keep Bird Feeder and all accessories out of reach of children and pets.
- 2.Make sure the camera has been fully charged (DC5V / 1.5A).
- 3.Working temperature: -10°C to 50°C (14°F to 122°F)
Working relative humidity: 0-95%
- 4.Please do not expose the camera lens to direct sunlight.
- 5.The camera has an IP65 waterproof rating, which supports working properly under rains or snows. But it can not be soaked in water.

Notes:

- 1.Bird Feeder Cam only works under 2.4GHz Wi-Fi.
- 2.Strong lights may interfere with the device's ability to scan QR code.
- 3.Avoid placing the device behind furniture or near microwaves . Please keep it within the range of your Wi-Fi signal.

Set Up With Vicohome App



Download on the
App Store

GET IT ON
Google Play

- Download Vicohome App from App Store or Google Play. You can also download the App by scanning the QR code above with the QR code scanner in your smartphone.



Pair the Camera to your Phone App

Note: Before installing your bird feeder and camera, please set up your camera first.

Set up the camera

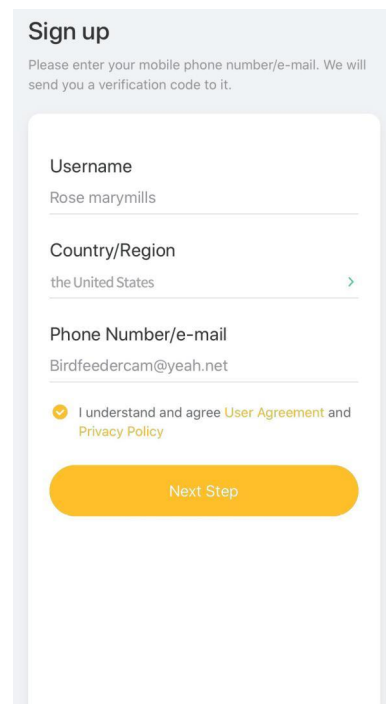
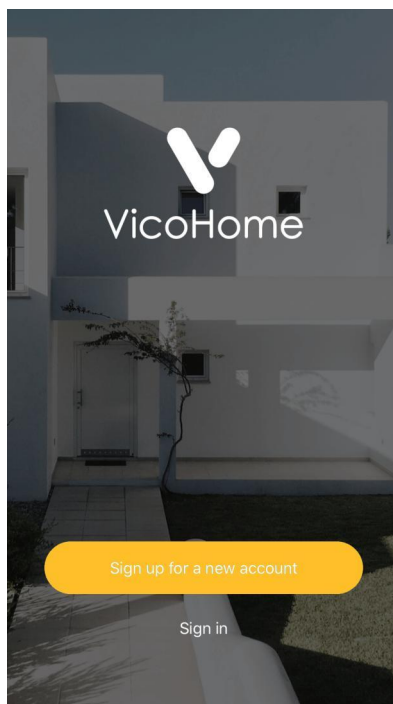
Step1:

Go to your App Store or Google Play on your smartphone, search for " Vicohome " Or just scan the QR code below to download the app:



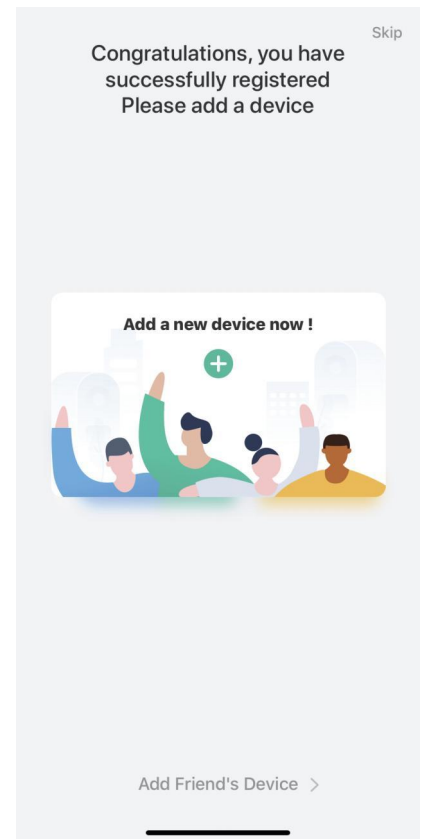
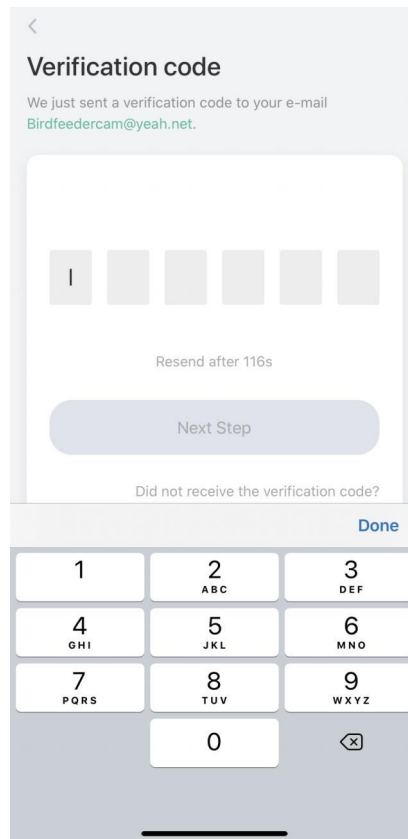
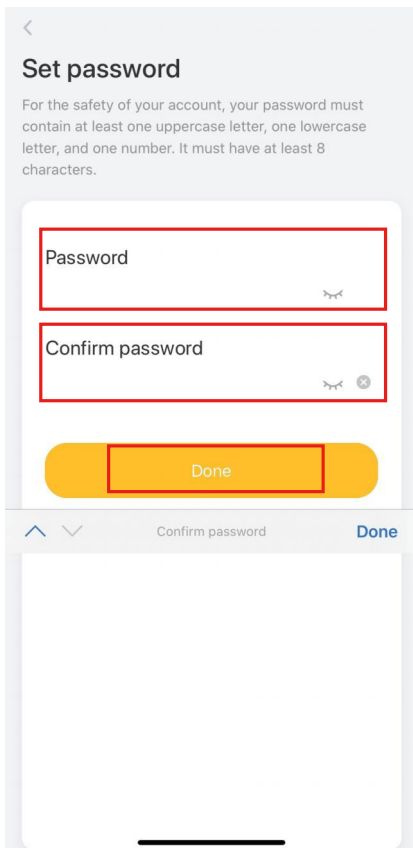
Then please sign up for a new account , please check the screenshot below for your reference:

- ① Tap " Sign up for a new account "
- ② Input your user name, your country " the United State " , and your E-mail address. And then check on the " Agreement and Privacy Policy Let's go to " Next Step" .



Pair the Camera to your Phone App

- ③ You will receive the Verification Code from your E-mail, put it in and then go to “Next Step” .
- ④ Set password for your account, and then go to “Done” .
- ⑤ Congratulations ! You have already registered successfully. Let’s tap the “+” icon to add the camera now!

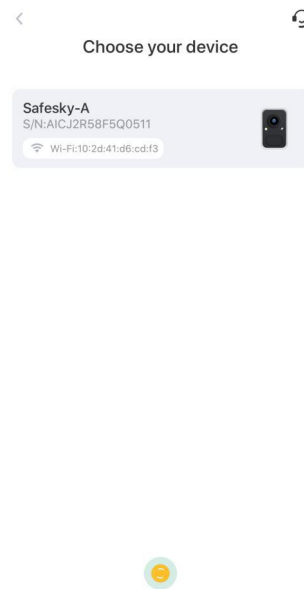
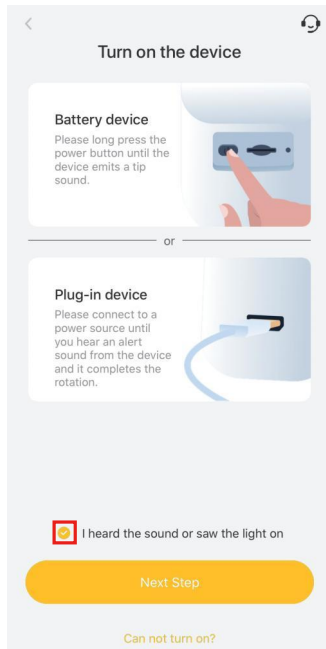


Step2:

Hold the power button to power up the camera, the indicator light will keep blue. And finally you will hear the pairing sound from the camera, which means that the camera is ready for connection.

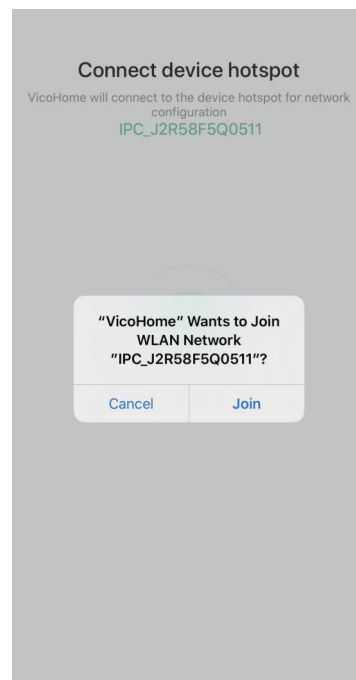
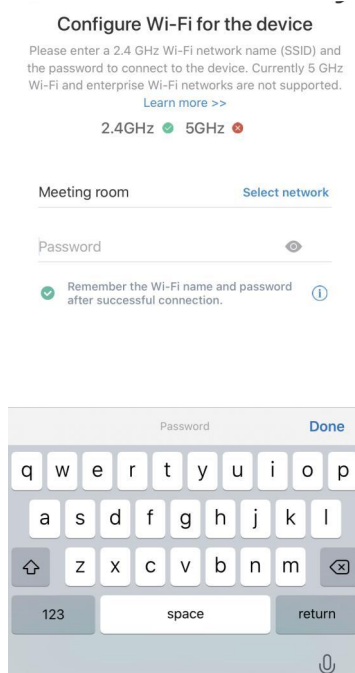
Pair the Camera to your Phone App

- ① If you hear the sound from the camera, please go to “Next Step” .
- ② The device is found, please tap the device at this page.



③ Connect WIFI to the camera, select your network and input your WIFI password.

④ Tap “Join” , please.



Pair the Camera to your Phone App

⑤ Wait for a second, you will see this page and the camera would say “WIFI connected” . You’re almost done.

⑥ Set a name for the device and go to “Next Step” .

Connection succeeded



- ✔ Connect the device to the network
- ✔ New device is found
- ✔ Register it to the cloud service
- ✔ Initialize the device

Set a name and location for the device

Device Name

Camera for bird feeder

Location

Front door

Back door

Garden

Office

Garage

+

Edit

Next Step

⑦ Check your WIFI signal strength, tap “Done” .

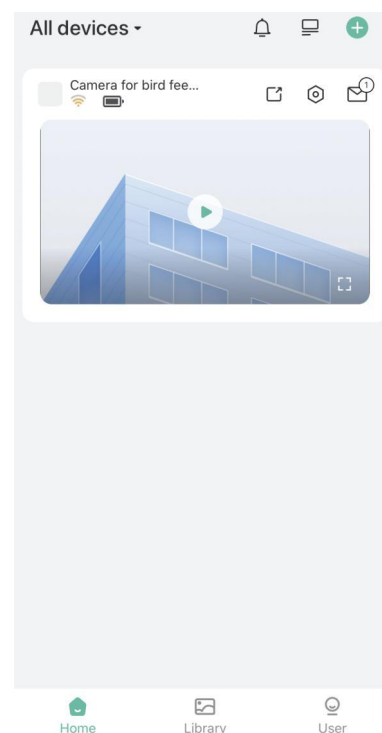
⑧ Here we go! tap the “play” icon, you will see the camera image.

Please place the device where you need to install it and check the strength of the Wi-Fi signal.



Confirm your Wi-Fi signal strength: **Medium**
It's recommended to mount the device in the current location.

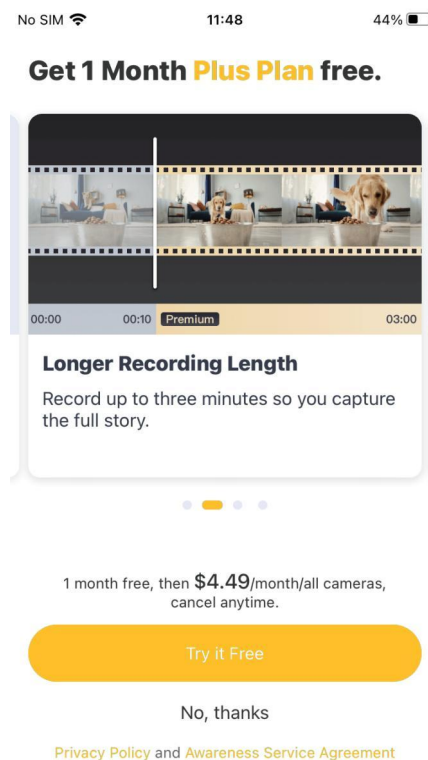
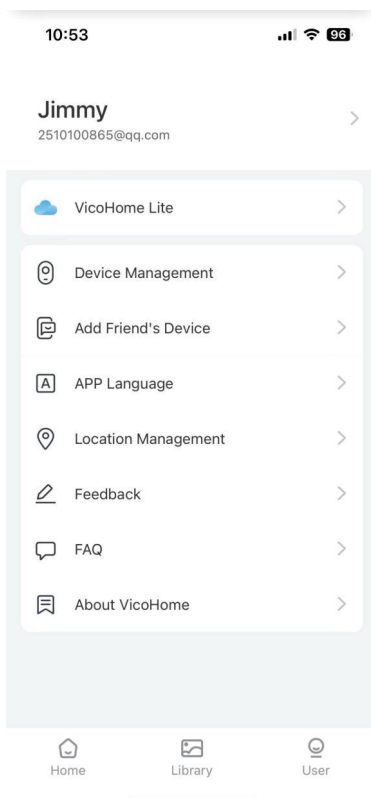
Done



How to get 30 days of free cloud storage

For new register we have 30 days free cloud storage

- ① Please go to Vicohome app, then tap "try it free".
- ② Please go to "Bird Fans Plan" get it free.
- ③ After one month this service needs to be subscribed.



Pair the Camera to your Phone App

Step1:

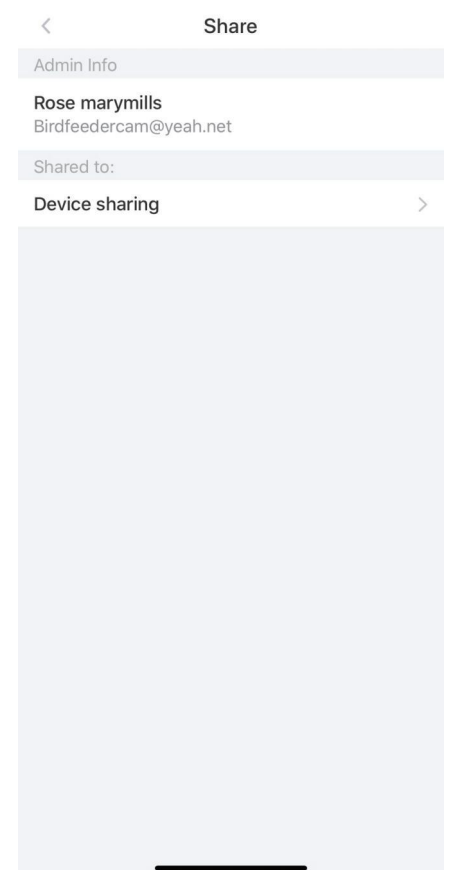
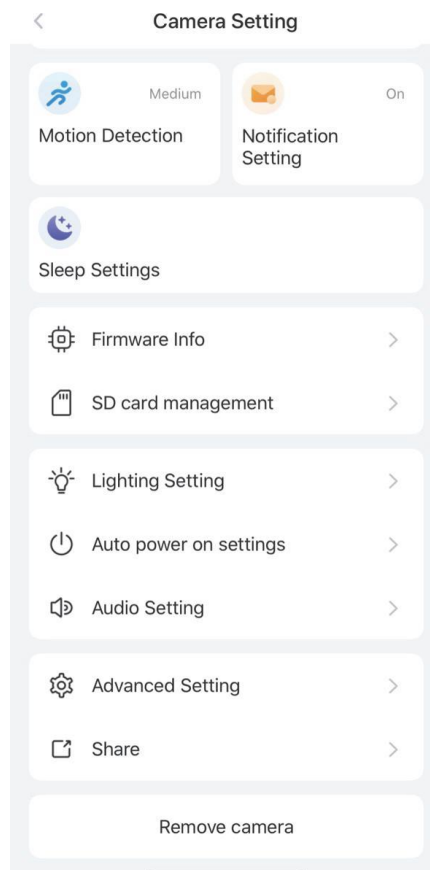
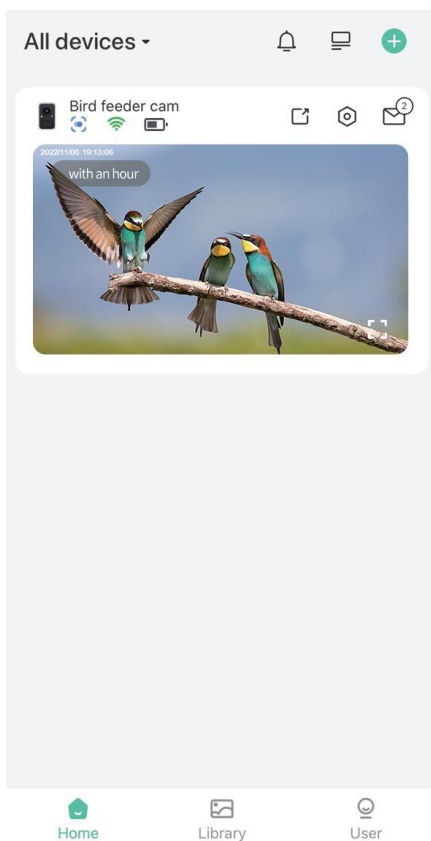
The invitee needs to download the Vicohome APP on her/his smartphone.

Step2:

After installing and registering a new account to login, just go to the app homepage, tap on the “+” sign in the upper right corner, and then select “Add friend’s device” . Then please scan the QR code of device admin.

How to find the device admin QR code?

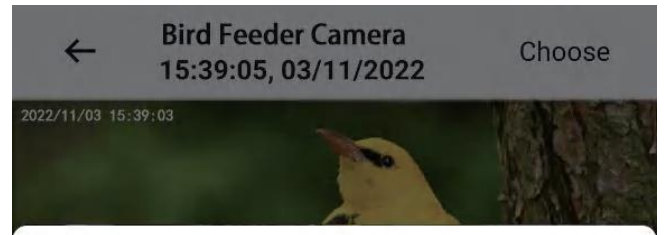
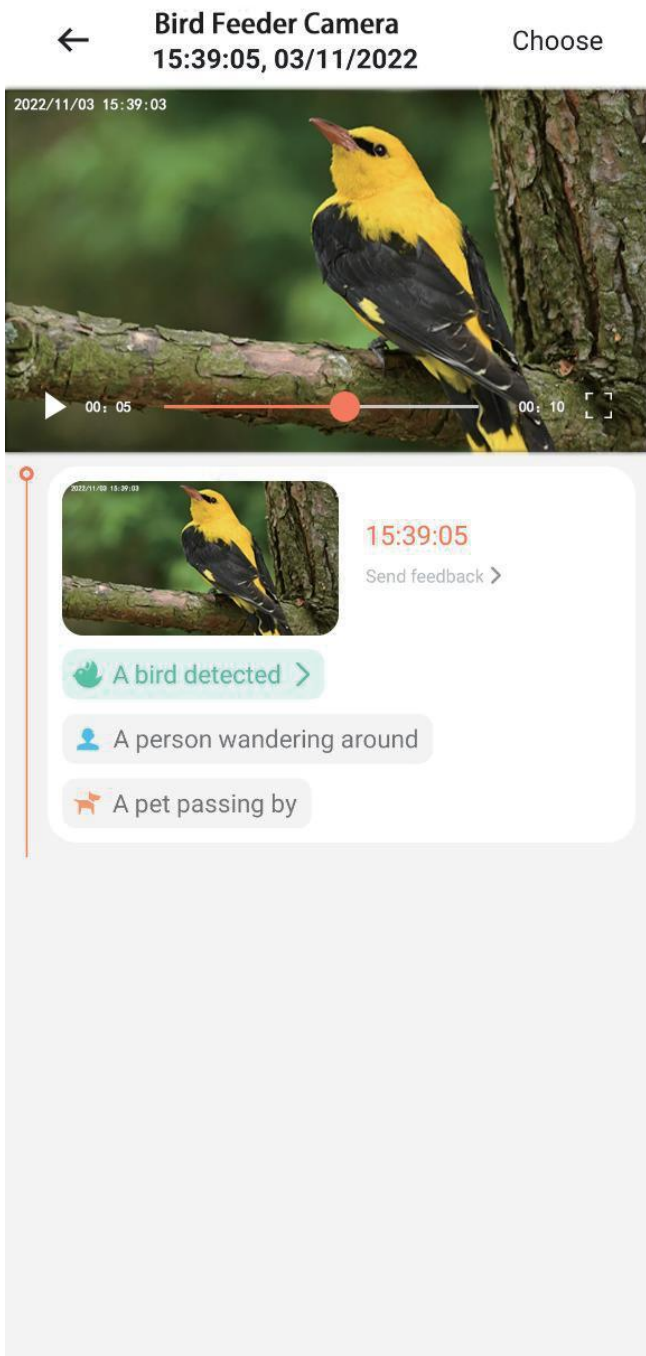
See the screenshot below. Just go to the administrator’s Vicohome app. Go to the settings icon > Share > Device Sharing then you will see the QR code. (QR code valid within half an hour)





Pair the Camera to your Phone App

A bird came to the bird feeder and triggered the camera recording and AI Identification.



The Baltimore oriole (*Icterus galbula*) is a small icterid blackbird common in eastern North America as a migratory breeding bird. It received its name from the resemblance of the male's colors to those on the coat-of-arms of 17th century Lord Baltimore. Observations of interbreeding between the Baltimore oriole and the western Bullock's oriole, *Icterus bullockii*, led to both being classified as a single species, called the northern oriole, from 1973 to 1995. Research by James Rising, a professor of zoology at the University of Toronto, and others showed that the two birds actually did not interbreed significantly. The Baltimore oriole is the state bird of Maryland. It is also the namesake and mascot for the Baltimore Orioles baseball team.

[View more information](#)



Pair the Camera to your Phone App

Q1: Why doesn't the Wi-Fi name appear when I connect to Wi-Fi?

A1: You need to turn on the "location permission" for the app in the system settings and change it to "allow when using“

Q2: Will the camera show red lights when night vision is activated?

A2: The built-in infrared lamp beads make the camera only show some dim red lights when night vision is activated, but the image quality is still clear under no light environment.

Q3: What are the requirements for Wi-Fi?

A3: Please use a 2.4GHz wireless network. The device does not support the 5GHz wireless network. Meanwhile, please set the Wi-Fi authentication method to wpa2-pskor other lower level of the security method. A password is required.

Q4: How far should the camera be placed from the router?

A4: After testing, the WiFi connection distance can normally reach up to 100 meters in the open area. However, the actual situation depends on the strength of Wi-Fi and its surrounding environment.

Q5: What is the maximum length of recording time?

A5: You can choose the recording time in the app, The camera record for a fixed time or "auto" mode, when depending on whether there is a person, the maximum length of a video is 3 minutes.

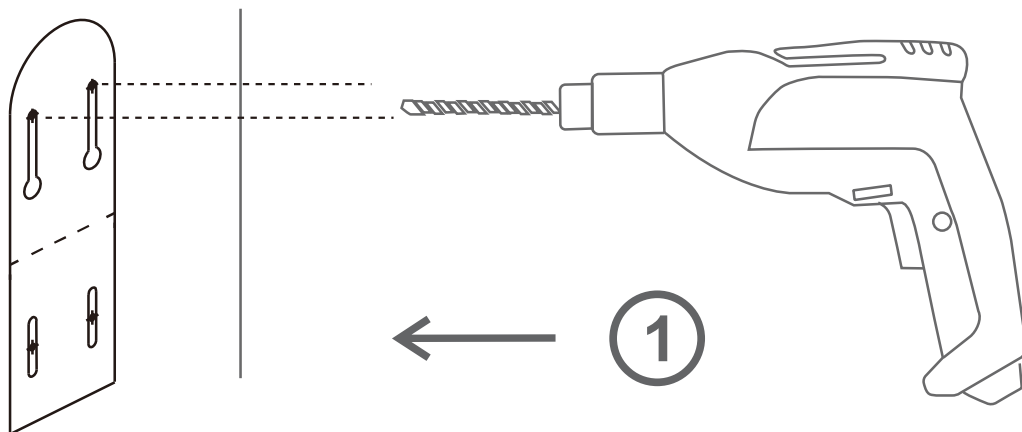
Q6: What should I do when the device is malfunctioning?

A6: Long press the power button to restart the camera.

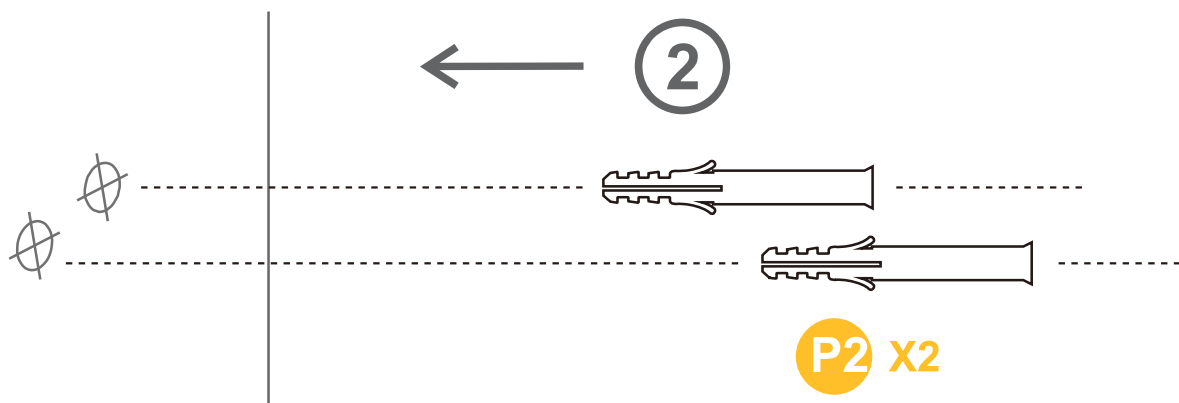
Installation Instructions

- Before you begin the installation process, please ensure the following:
- - Your Bird Feeder Cam has been successfully linked to your Vicohome App.
- - The Bird Feeder Cam is able to stream video.

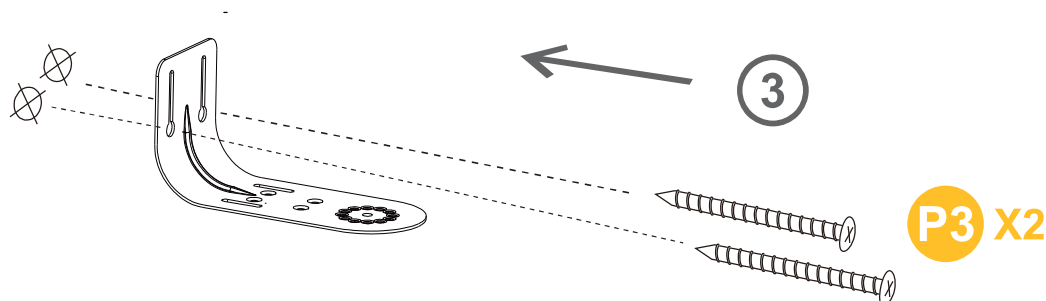
Wall Mount Installation:



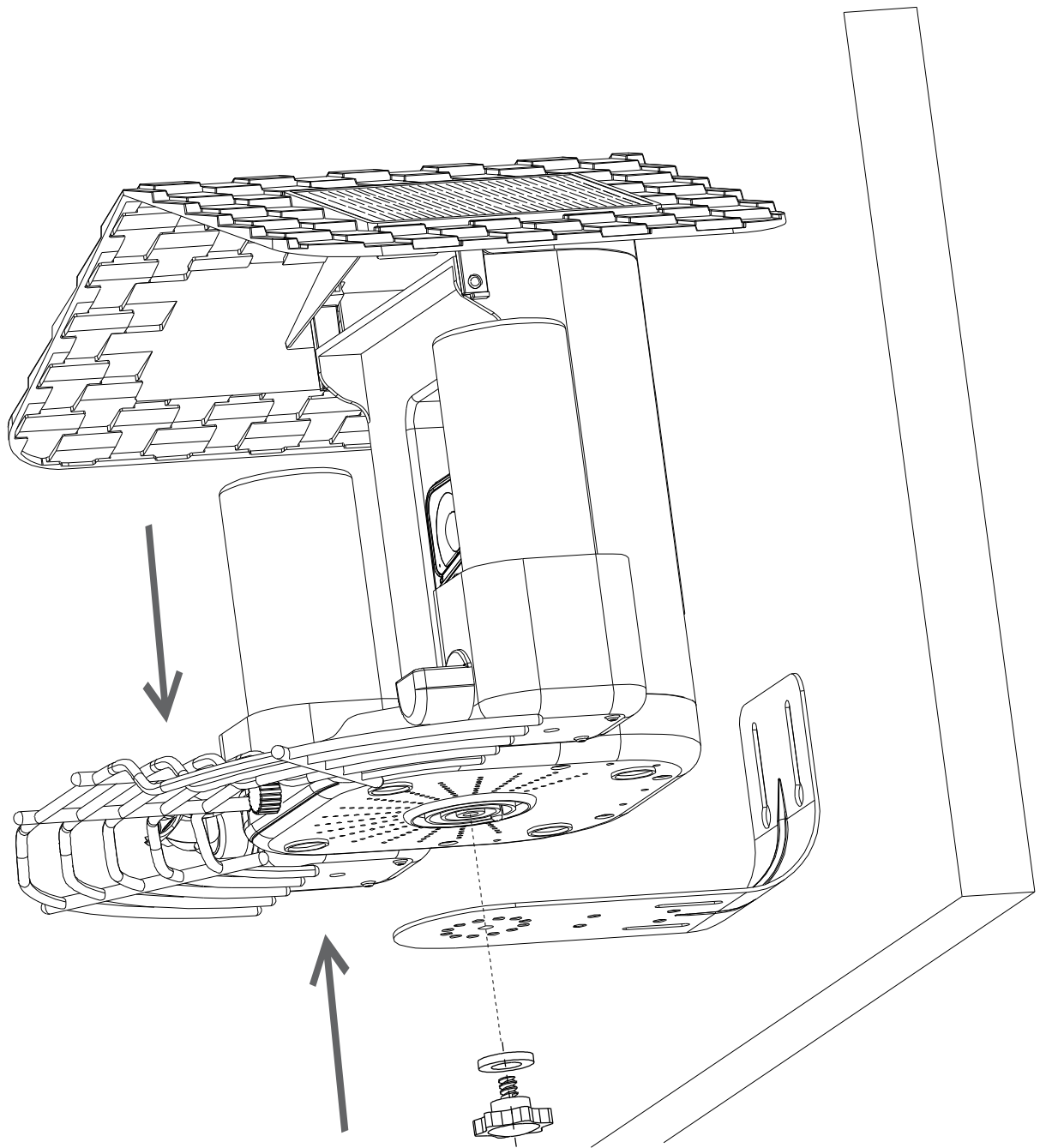
Step 1: Use the provided drilling template to mark the position of holes on your wall. Use drill bit (5/16", 8mm) to drill two holes.



Step 2: Install the anchors to fix the screws. (Install on wood skip this step.)

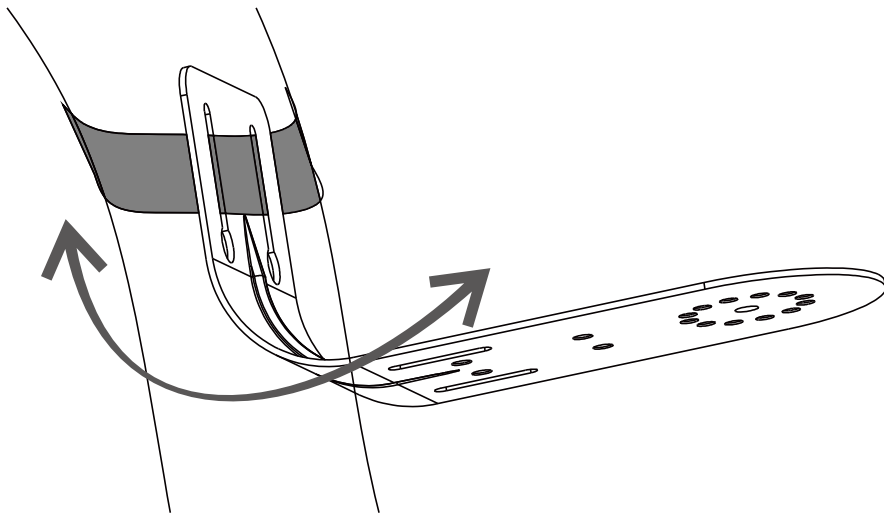


Step 3: Install the Mounting Bracket on your wall with the screws provided.

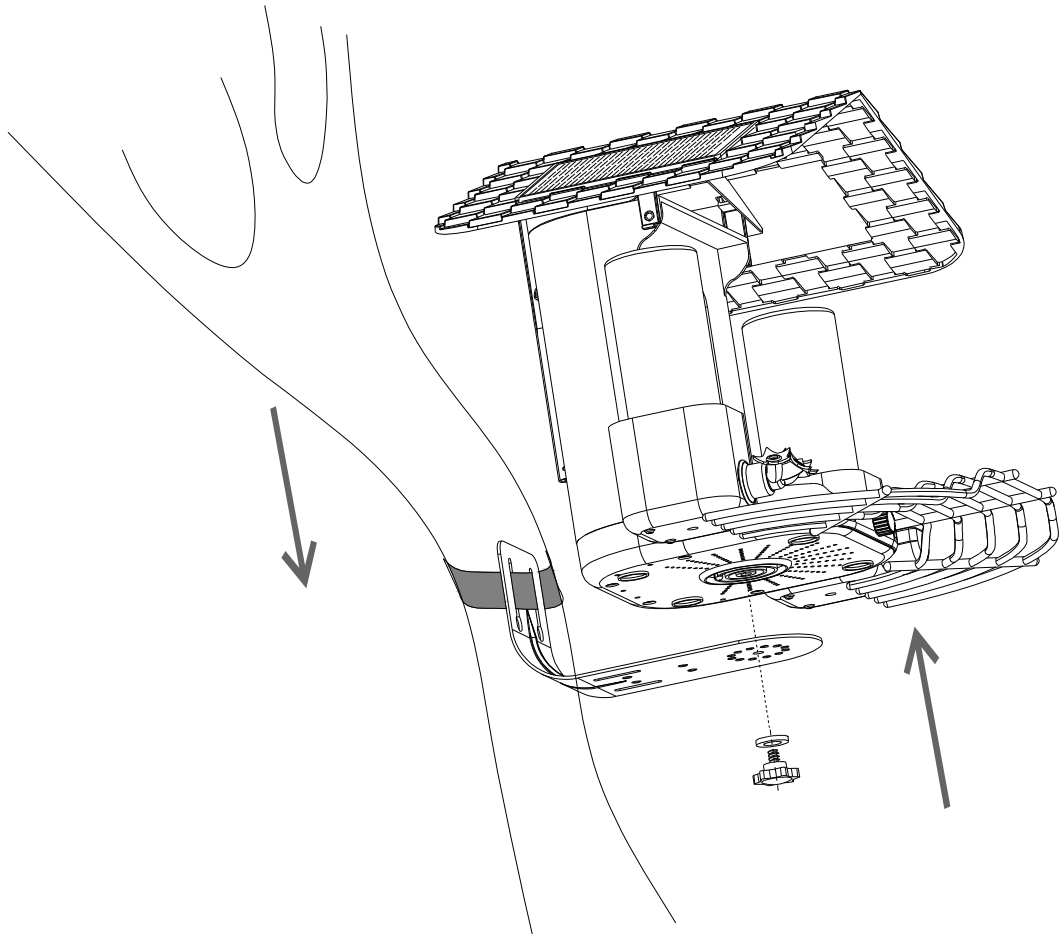


- **Step 4:** Slide the Bird Feeder into the bracket through the slide rail.
- **Step 5:** Bolt mounting parts and feeders together.

Tree Mount Installation:

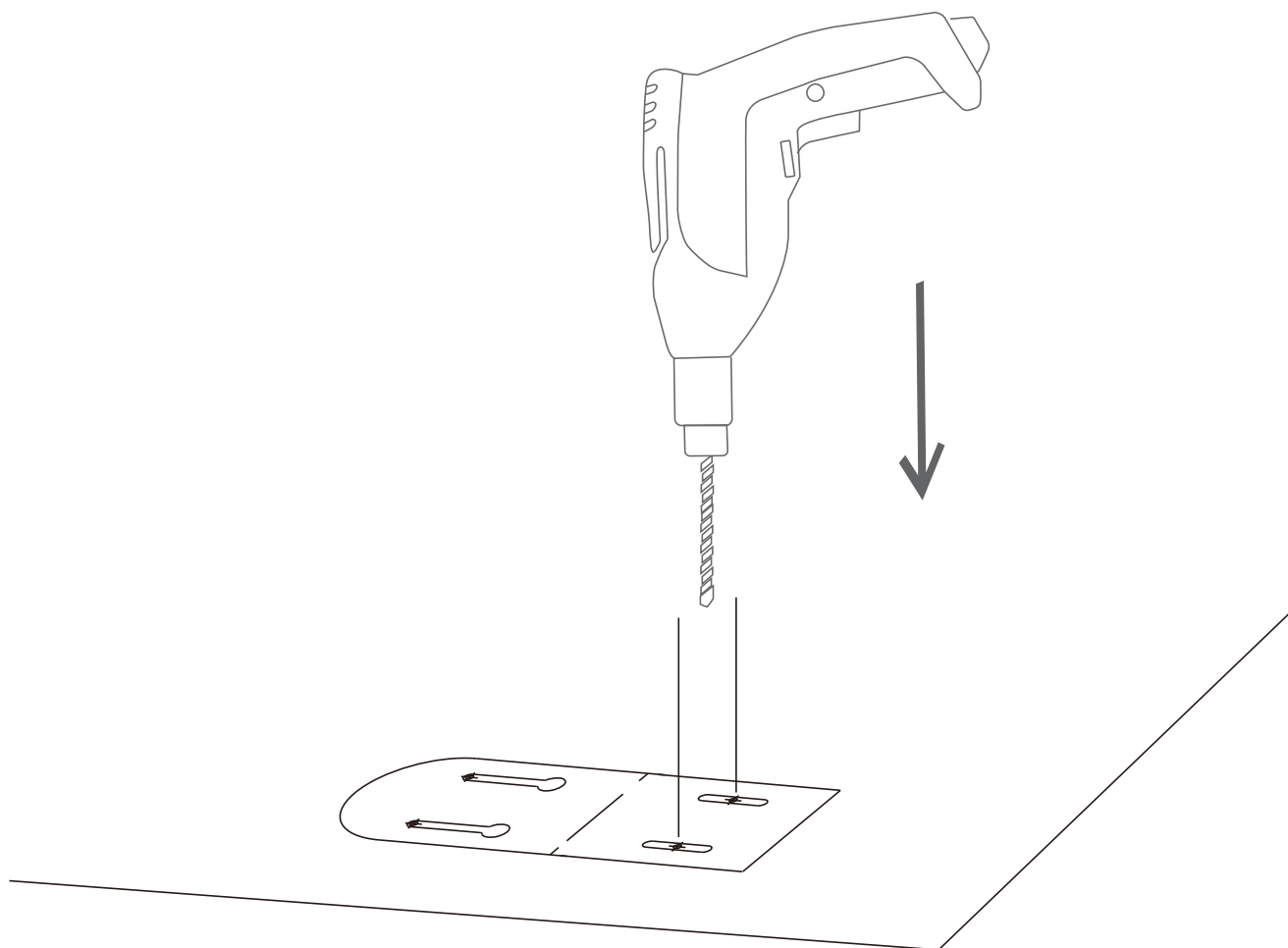


- **Step 1:** Wrap the Mounting Bracket around the tree with the Black Strap.



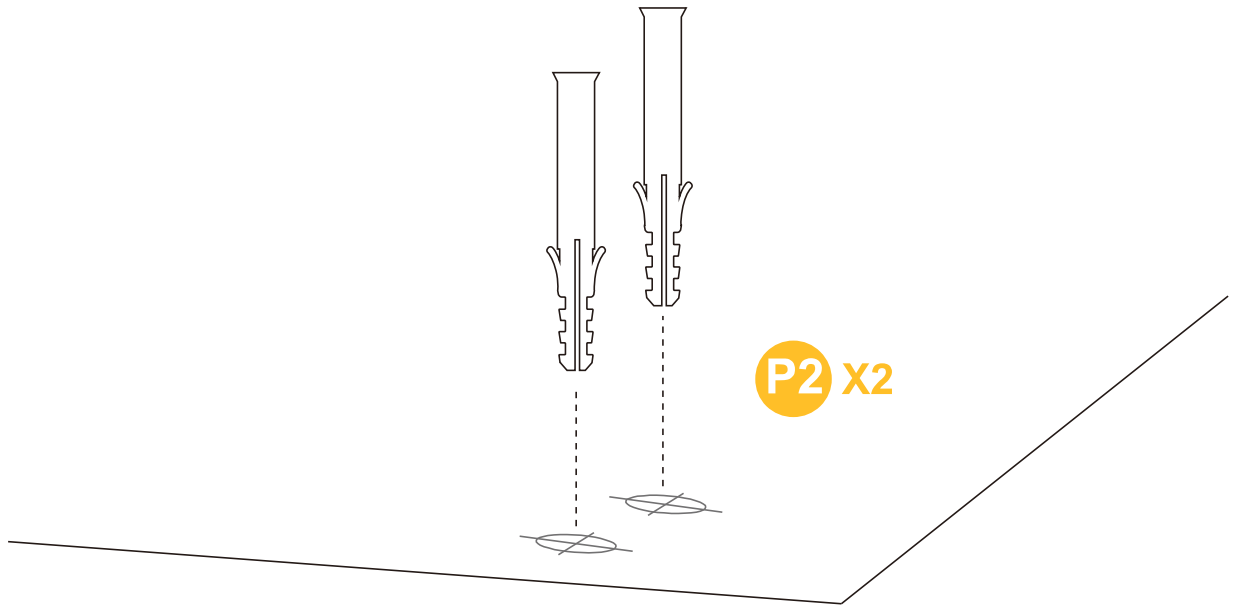
- **Step 2:** Slide the Bird Feeder into the mounting bracket.
- **Step 3:** Bolt mounting parts and feeders together.

Stand Mount Installation:

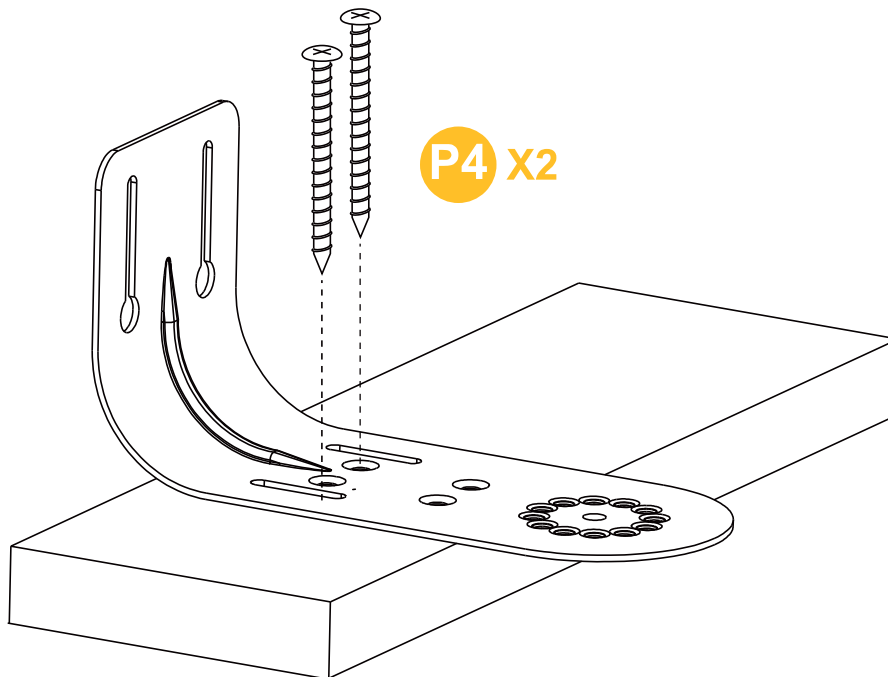


- **Step 1:**

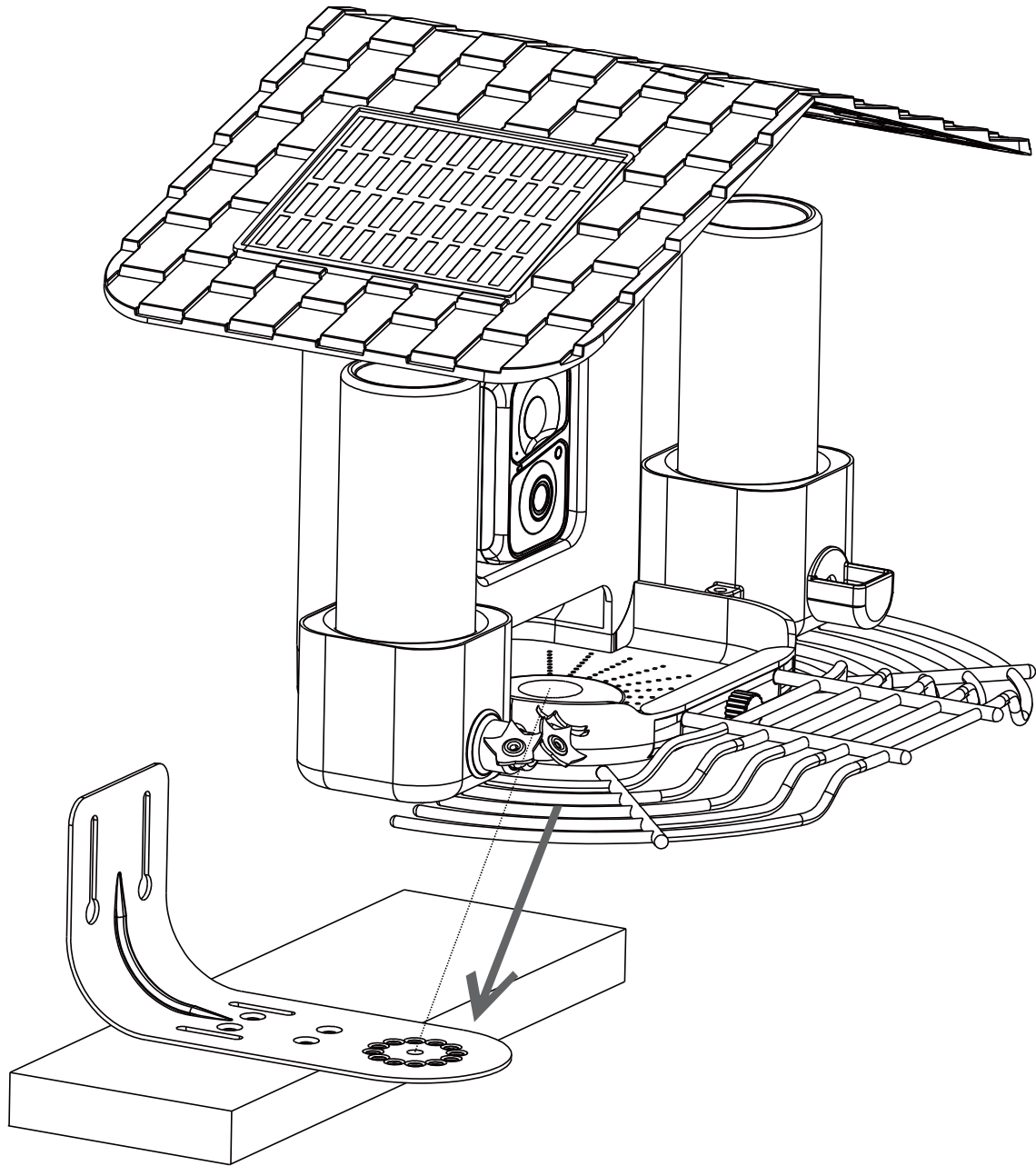
The Bird Feeder can be placed steadily on a flat surface, but for stability, we recommend that the backplane is installed and fixed on a flat surface. Use the provided drilling template to mark the position of holes on flat surface. Use drill bit (5/16", 8mm) to drill two holes.



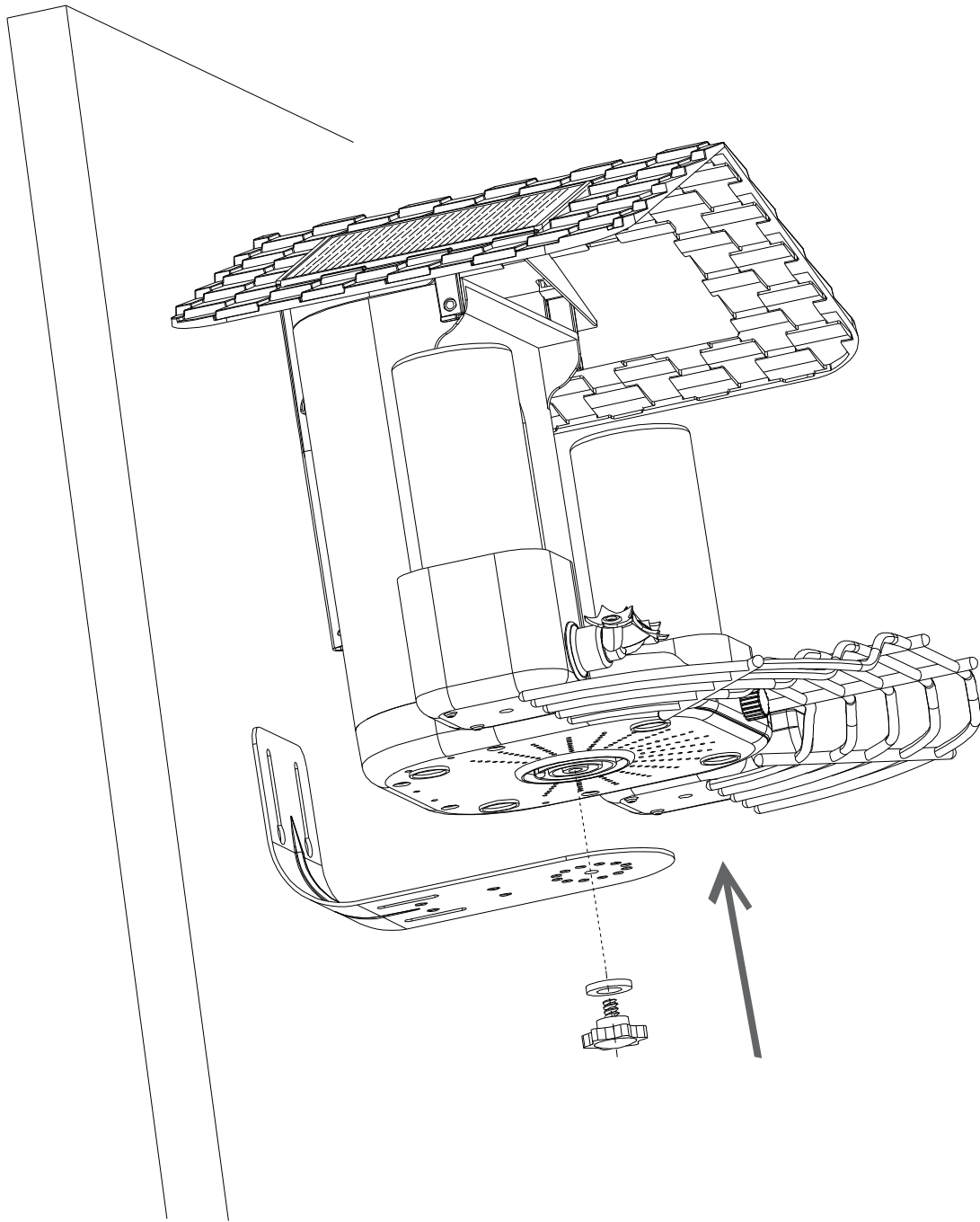
- **Step 2:** Install the anchors to fix the screws. (Install on wood skip this step.)



- **Step 3:** Install the Mounting Bracket on flat surface with the screws provided.



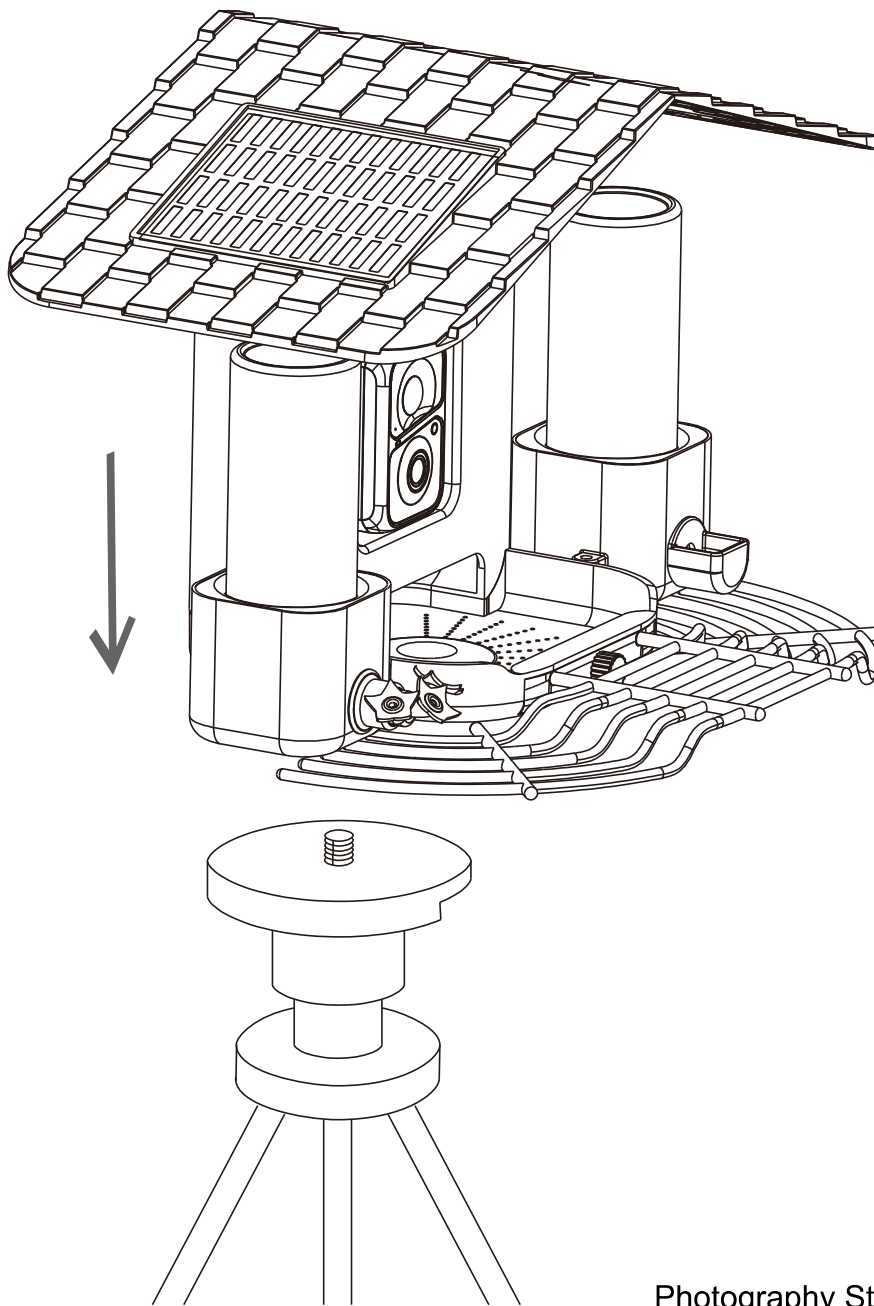
- **Step 4:** Slide the Bird Feeder into the mounting bracket.



- **Step 5:** Bolt mounting parts and feeders together.

Tripod Mount Installation:

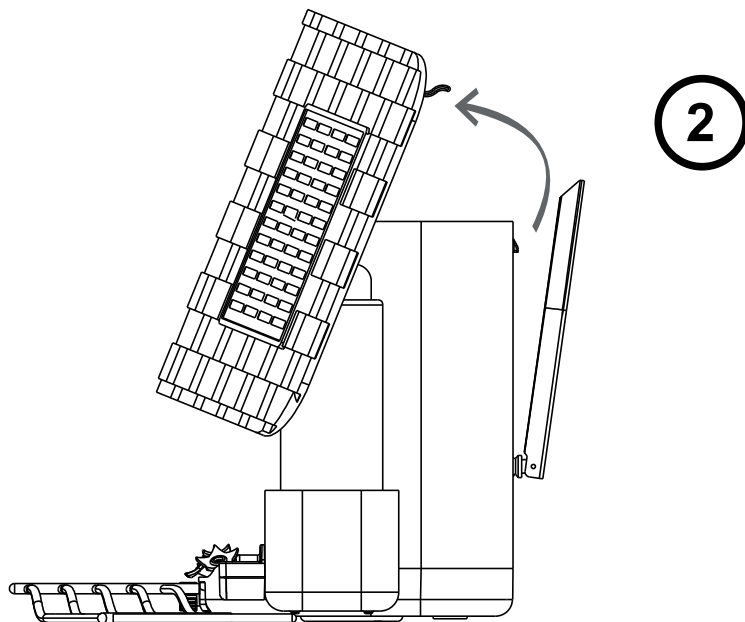
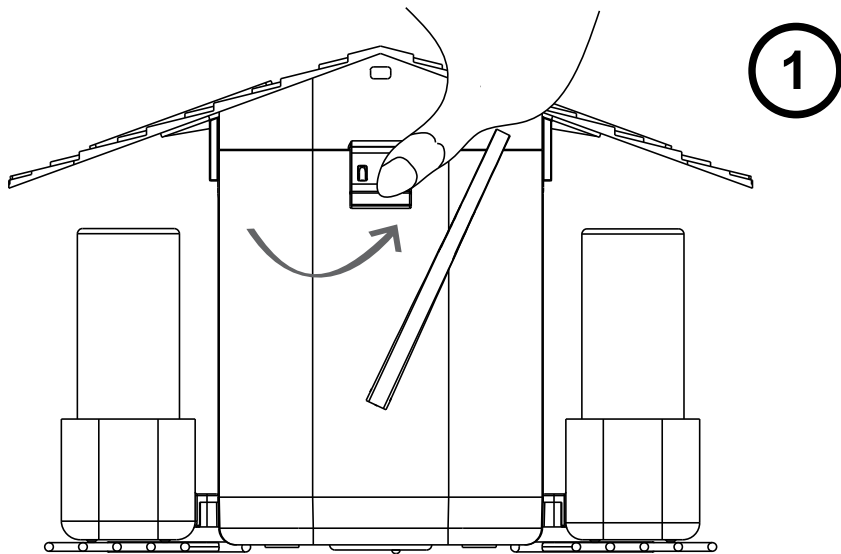
- Make sure you don't have the bracket installed on the bottom of the Bird Feeder. If you need to remove it, please take a look at "Step 2 of Cleaning Bird Feeder" for instructions on how to remove the bracket.



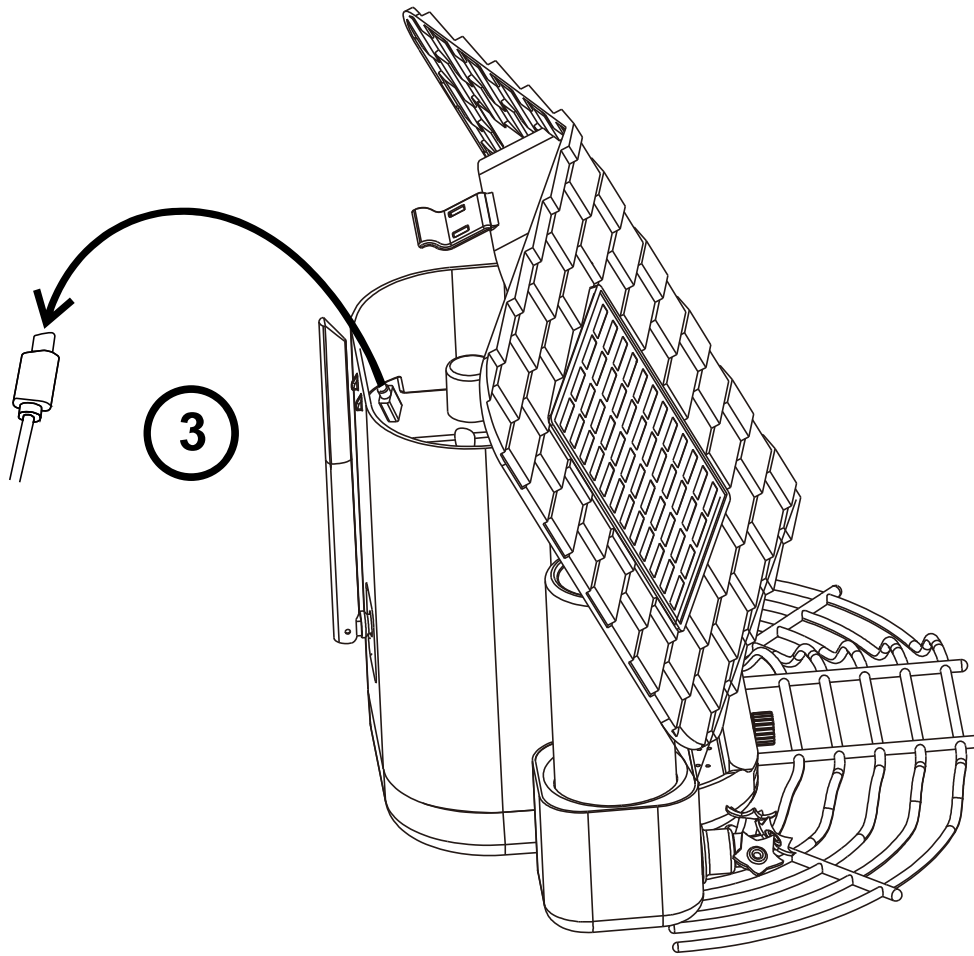
Photography Stand (Not provided)

- **Step 1:** Slide the Bird Feeder into the Tripod Adapter.
- **Step 2:** Install the Bird Feeder on the corresponding accessories, such as a photography stand (not provided).

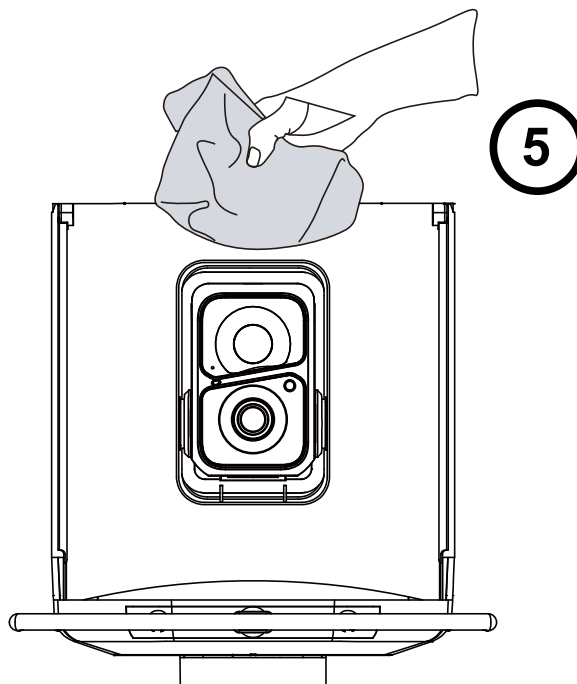
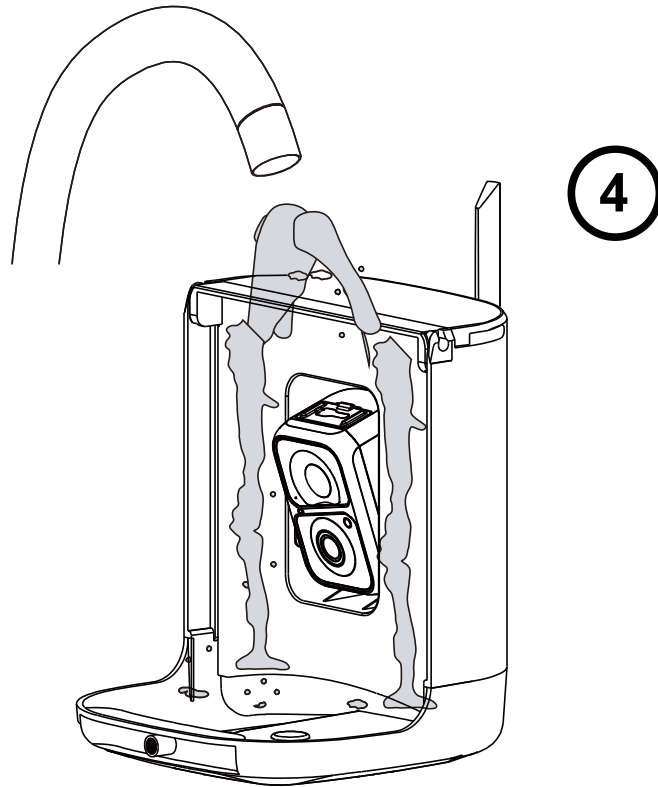
Cleaning Bird Feeder



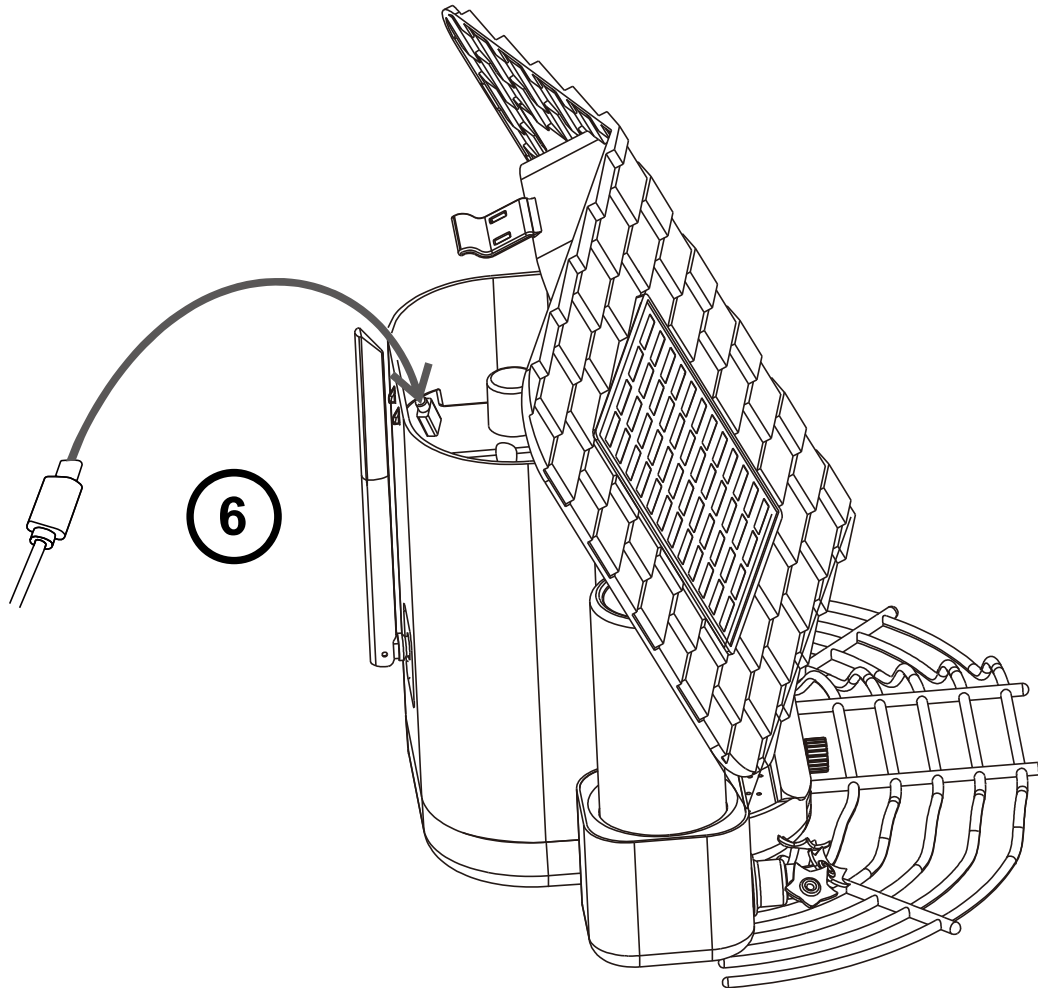
- **Step 1:** Open up the buckle on the back of the Bird Feeder, and pull up on the roof to open.



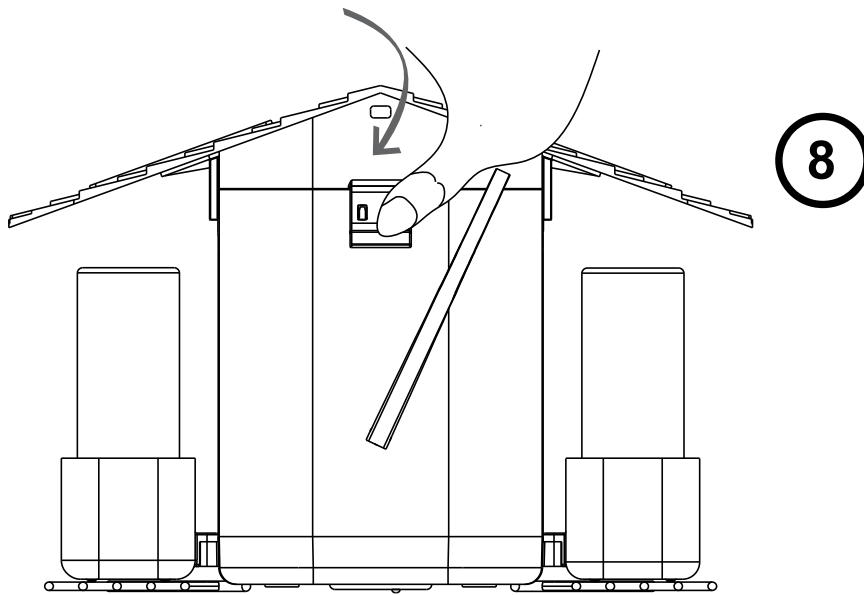
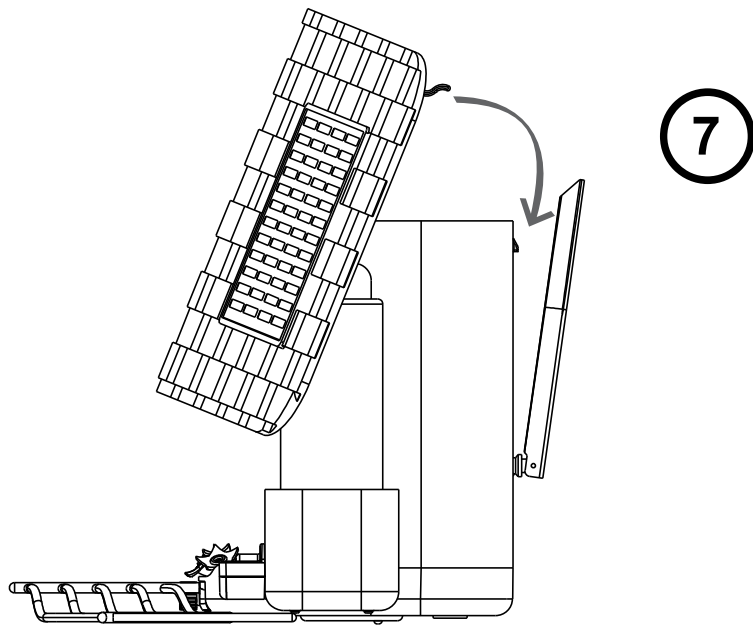
- **Step 2:** Unplug the charging cable and put on the silicone cover.



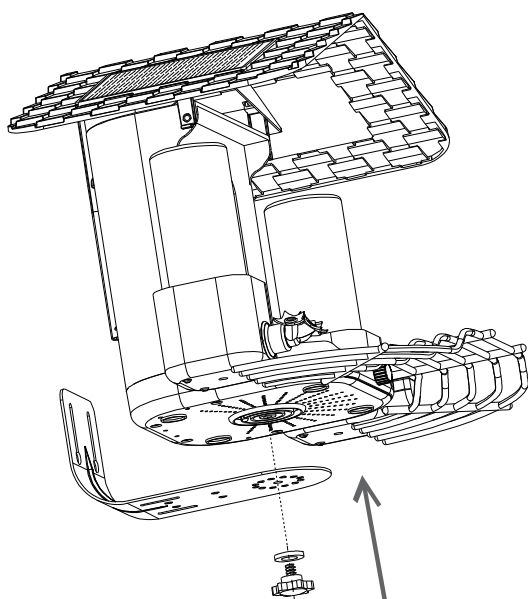
- **Step 3:** Pour water into the top of the seed reservoir. Do not wash the camera or any of its components. They are water resistant, not water-proof.
- **Step 4:** Dry the feeder with a cloth, including the seed reservoir.



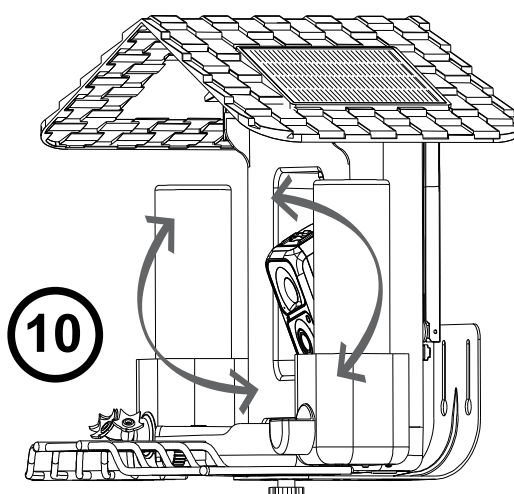
- **Step 5:** Open the silicone plug, re-plug in the Solar Lite.



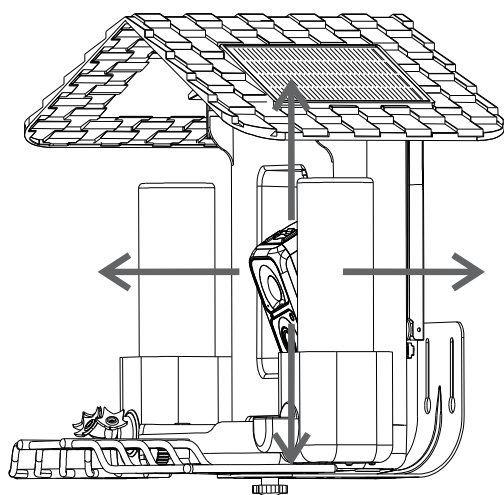
- **Step 6:** Re-attach the Roof: Push the roof down and engage the snaps on the back of the Bird Feeder.



9



Adjust the camera's tilt angle by holding it with your hand.

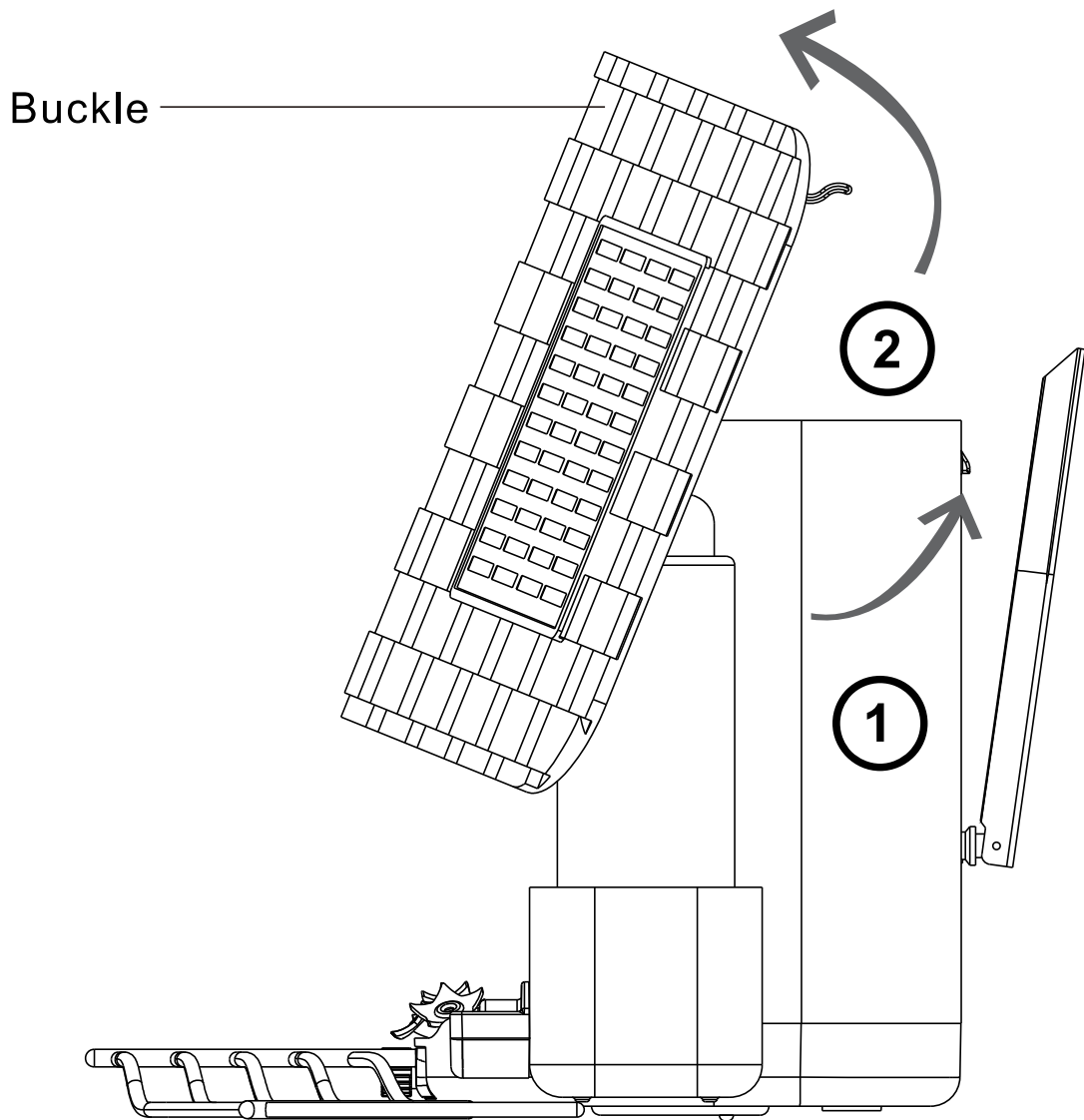


11

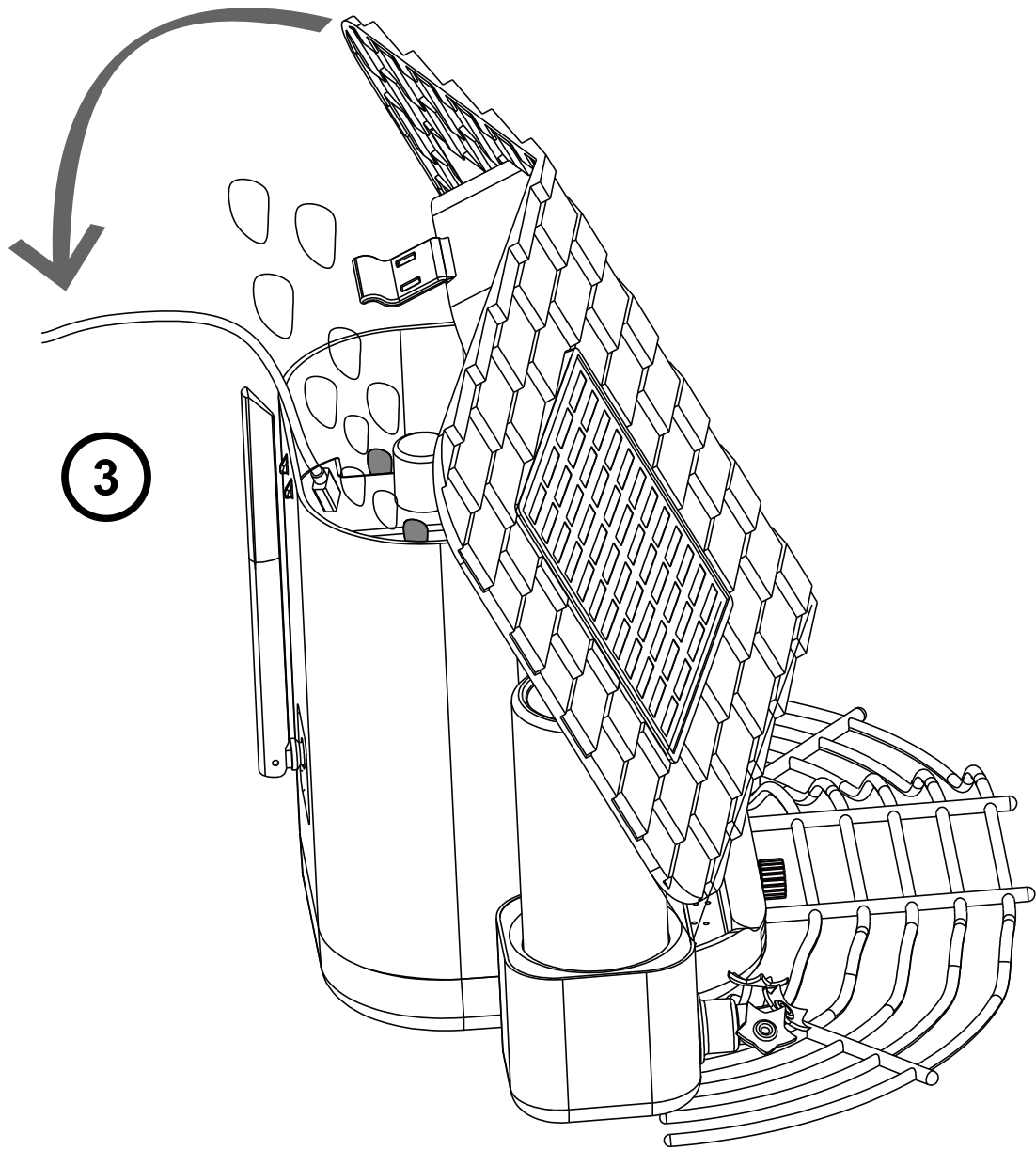
Adjust the camera's left-right angle and up-down height by holding it with your hand.

- **Step 7:** Re-attach the bracket to the Bird Feeder base. Adjust the angle for both the Bird Feeder and camera.

How to Add Bird Seed

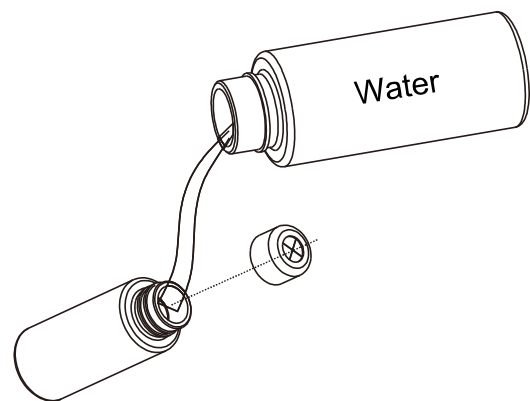
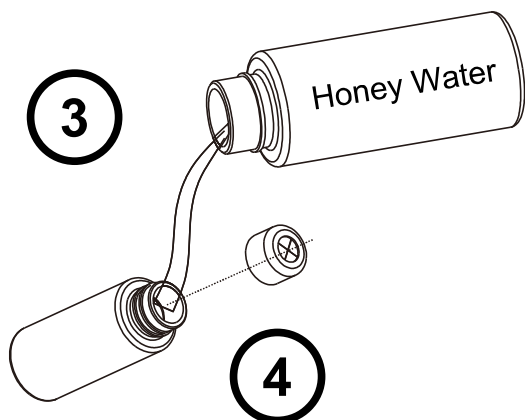
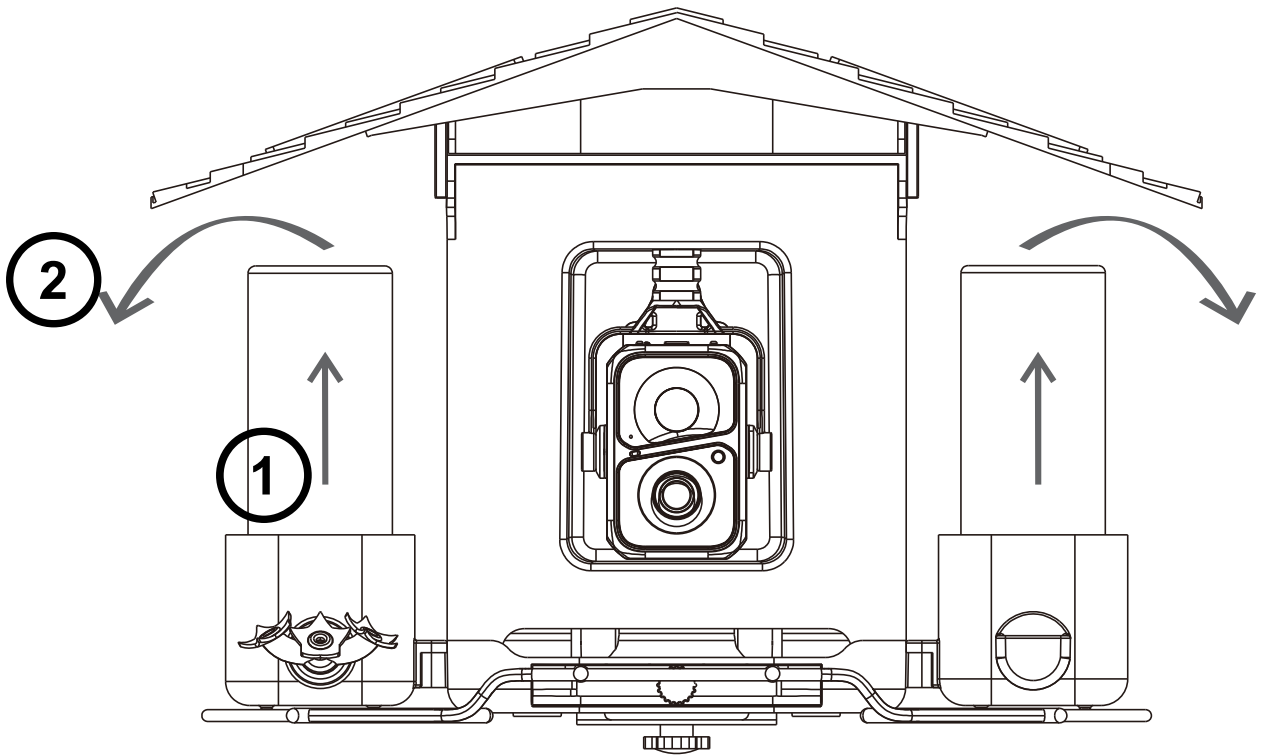


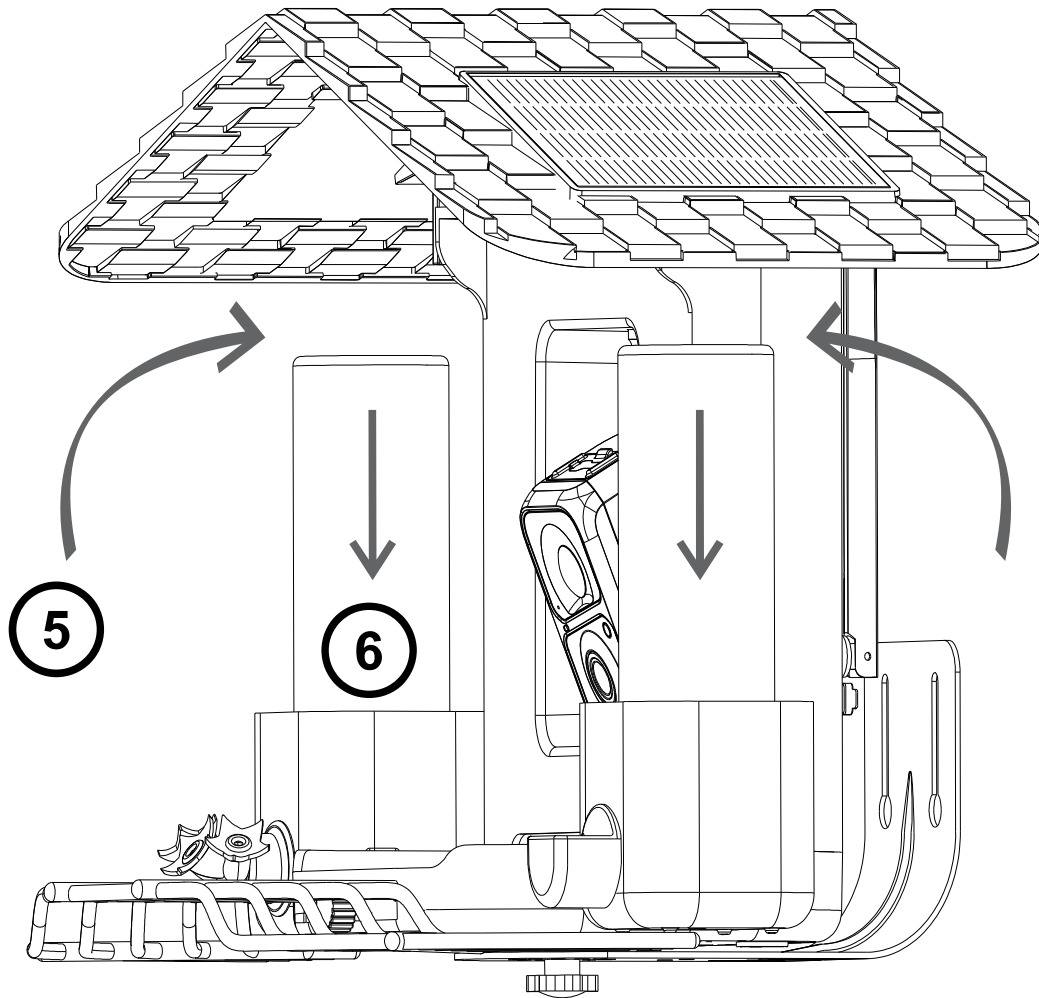
- **Step 1:** Open up the buckle on the back of the Bird Feeder, and pull up on the roof to open.



- **Step 2:** You can add bird seed. Finally, close the roof back.

Add Water & Honey Water





- **Step 1:** Lift the bottle upwards and take it out.
- **Step 2:** Unscrew the bottle cap and pour the honey into the bottle.
- **Step 3:** Screw the bottle cap back tightly.
- **Step 4:** Align the bottle holder with the inverted bottle and push it down to insert it.
- **Step 5:** Repeat the above steps to add food into the other bottle.

Status Light

- This camera uses status light to communicate.

LED Indicator	Description
Solid Blue	Working
None	Sleep/Power Off
Solid Yellow	Charging
Solid Green	Charging Finished

AI Bird Recognition

- *** This service requires a subscription.**

AI Bird Recognition has undergone massive machine learning and uses AI intelligent recognition algorithms to inform you in real time "what species of bird are coming", automatically save the bird images/videos data for you, and also provide bird knowledge learning and so on.

Product Specifications:

- 1. Material: plastic/electronic components
- 2. Camera part:
 - a. Resolution: 2MP night mode, capable of recognizing over 10,000 bird species
 - b. Lens: 6G-1.6mm-5mp, 160° field of view
 - c. Infrared Light: Utilizes 8 medium-power dot array infrared LEDs for night mode
 - d. White Light: Features a high-power white light source
 - e. Working Current:
 - Standby Current: 0.42mA
 - Daytime Current: 220mA
 - Nighttime Current: 532mA
 - Battery: Equipped with a 5000mAh battery
 - f. Antenna: Features a 5db enhanced antenna
- 3. Solar panels:
 - Output: Provides an output of 5V with a power of 2W
- 4. Main frame dimensions: 17.32*14.01*12.6inches
- 5. Capacity: Can hold up to 1.5L of bird feed and is equipped with a honey box and water container each with a capacity of 350ml
- 6. It is accompanied by a separate 64G SD card.

Key Functions:

- 1. Equipped with video storage capabilities and supports offline storage, compatible with up to a 64G SD card.
- 2. Features an alarm and microphone for two-way communication; effective in deterring unwanted wildlife like squirrels.
- 3. Employs intelligent artificial recognition technology capable of identifying up to 10,000 household appearance birds; users can easily find detailed descriptions on Wikipedia.
- 4. Equipped with an HD wide-angle bird camera ensuring clear images even in low-light conditions; supports real-time notifications and seven device connections for live viewing.
- 5. Comes equipped with an antenna specifically designed to boost the camera's signal reception, guaranteeing uninterrupted and stable use.

