

Live Animal Trap Assembly

32in & 36in Models



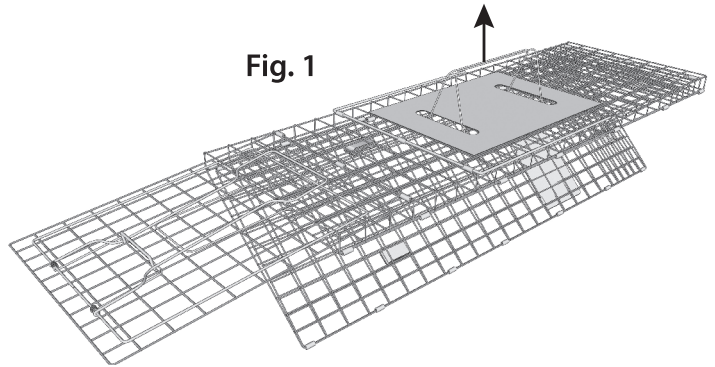
Step 1

Your trap will arrive folded flat, simply untie and unfold your trap by pulling up on the top handles. (Fig. 1)

WARNING: Wear gloves and safety glasses. Avoid sharp edges.

CAUTION: Trap may scratch deck or wood surfaces.

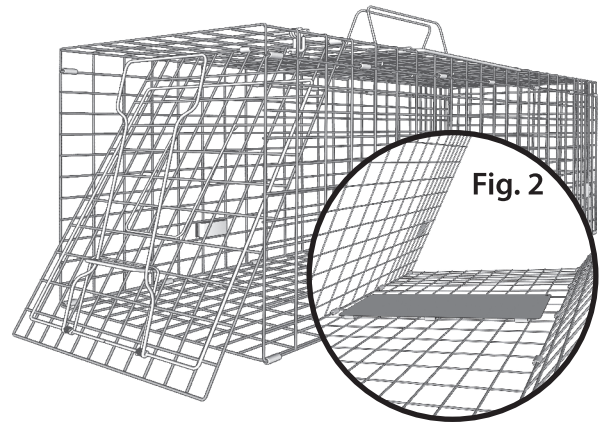
Fig. 1



Step 2

While unfolding the trap ensure the panel with the trip plate is facing down. (Fig. 2)

Fig. 2



Step 3

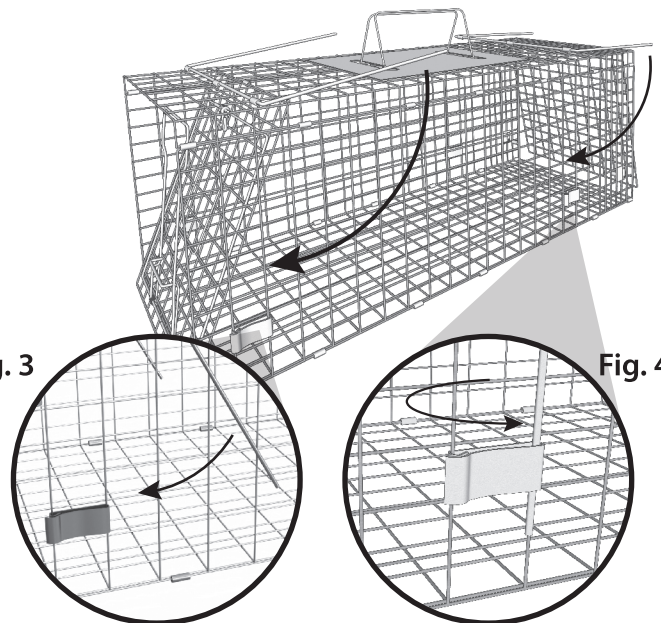
Pull down the U-shaped support arms from the top. (Fig. 3)

Secure them into the clips located on the each sides of the trap. (Fig. 4)

This will support trap in an upright position.

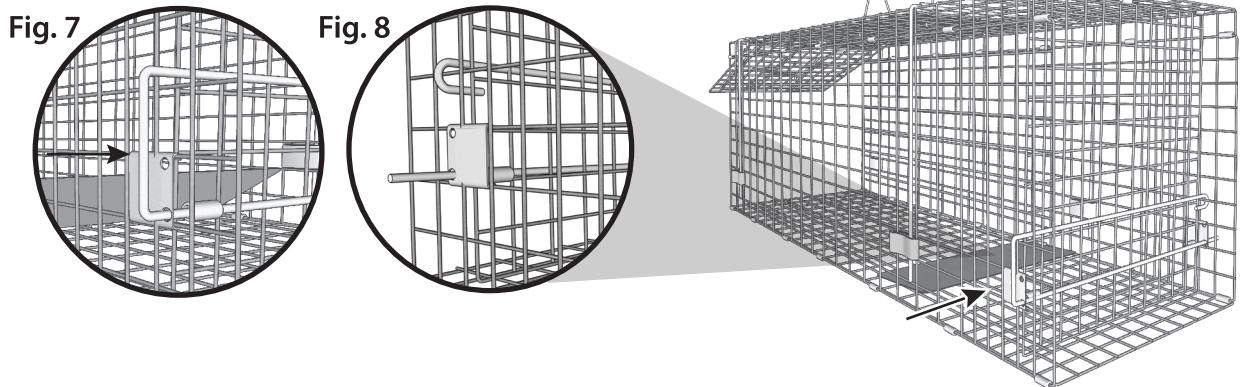
Fig. 3

Fig. 4



Step 4

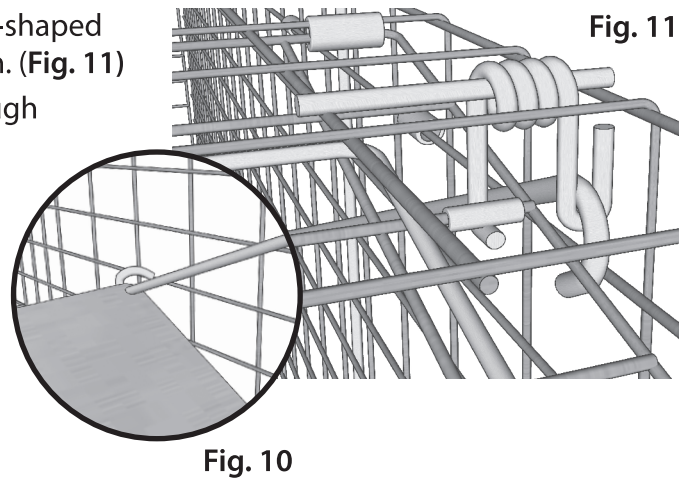
Secure the rear panel. (Fig. 5) Insert the U-shaped wire lock (Fig. 6) through the holes and tubes on the rear panel. Hook onto opposite side panel to secure rear panel. (Fig. 7 & 8)



Step 5

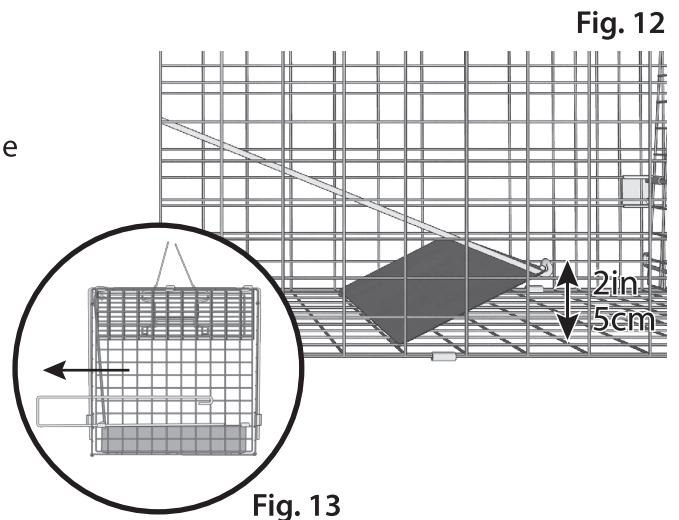
Flip the trap door up to fully open position. Use the L-shaped portion of the spring clip to hold gate in open position. (Fig. 11) Install the right side hook of the trip rod (Fig. 9) through the trip plate inside the trap. (Fig. 10)

Attach left side of the trip rod onto the U-bend on the spring clip while the the door remains in the cocked position. (Fig. 11)



Step 6

When the trap is set correctly the trip rod will raise the trip plate approximately 2in/5cm. (Step 12) Place bait just past the plate so the animal activates the plate while moving toward the bait. When the animal steps on the trip plate, the trap door slams shut. The animal will be trapped safely and without harm. Using caution, carry the trap by top handles to move animal to safe area to release. Unhook and remove the U-shaped wire lock from the rear panel, then flip up rear panel to release trapped animal. (Fig. 13)



CAUTION: Before using this product, carefully check that it will operate properly. Check for damaged parts and any other conditions that may affect its operation.

WARNING: Be cautious of bites or scratching from trapped animal when transporting animal in trap.

WARNING: Keep children away from traps. Sharp points, pinch hazard and risk of injury from animal.

CUSTOMER SERVICE: 800.607.6409