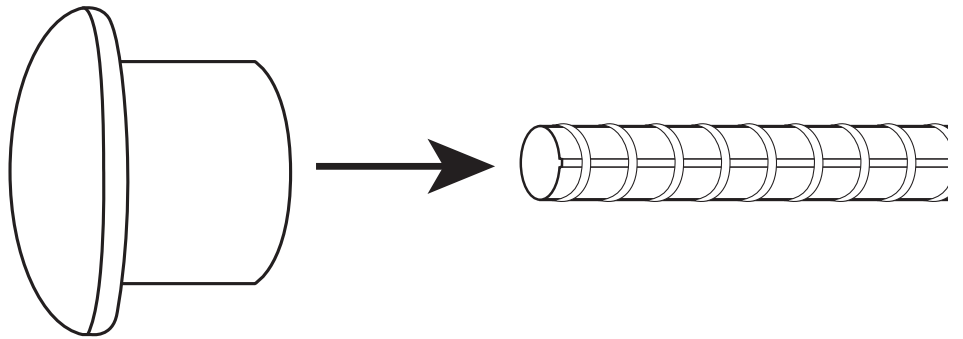


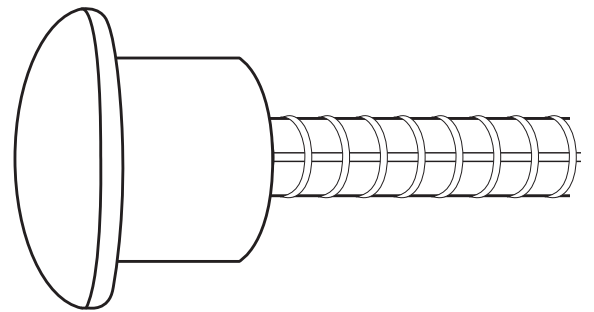
# Rebar Caps

- Not for exposed vertical rebar
- Highly visible orange color
- Reusable

**1** Use caps to cover exposed *horizontal* rebar. Cap will cover exposed rebar rods to protect from injury.



**2** Push caps onto rebar ends.  
Accepts #3 - #6 rods.



\*Not to be used for rebar impalement prevention.  
Use our OSHA rebar caps for exposed vertical rebar.