

# 60" x 20" Heavy Duty Cargo Carrier Instructions



## Tools needed:

- 17mm, 19mm, & 24mm open wrenches or sockets

Unpack all parts and identify them according to Figure 1 and the following parts tables.

Part#	Description	Qty	Part#	Description	Qty
1	Frame (Left, Right)	2	8	M16x80 Bolt	1
2	2" Frame Tube	1	9	M12 Lock Nut	2
3	Connecting Plate	2	10	M12 Flat Washer	2
4	2" Draw Bar	1	11	M12x75 Bolt	2
5	Clip	1	12	M10 Lock Nut	8
6	Pin	1	13	M10 Flat Washer	8
7	M16 Lock Nut	1	14	M10x20 Bolt	8

## Assembly Instructions

1. Thread the two (2) M12x75 bolts (part# 11) through the bottom of the left half of the frame (part# 1), through the 2" frame tube (part# 2), and through the right half of the frame (part# 1).
2. Install the M12 flat washers (part# 10) and M12 lock nuts (part# 9) onto the M12x75 bolts. **NOTE: Do not fully tighten the M12 lock nuts until step 6.**
3. Align the holes in the two (2) connecting plates (part# 3) with the holes in the vertical rails on the front and back sides of the frame.
4. Thread the M10x20 bolts (part# 14) through the connecting plates, and through the vertical rails on the front and back sides of the frame.
5. Install the M10 flat washers (part# 13) and M10 lock nuts (part# 12) onto the M10x20 bolts, and fully tighten the lock nuts.
6. Fully tighten the M12 lock nuts securing the frame to the 2" frame tube.
7. Install the 2" draw bar (part# 4) onto the 2" frame tube by threading the M16x80 bolt (part# 8) through the hole at the rounded corner of the draw bar hinge bracket, and securing it in place with the M16 lock nut (part# 7).
8. Insert the pin (part# 6) into one of the adjacent holes on the draw bar hinge bracket (depending on whether you want the carrier in the UP or DOWN position), and insert the clip (part# 5) into the pin.

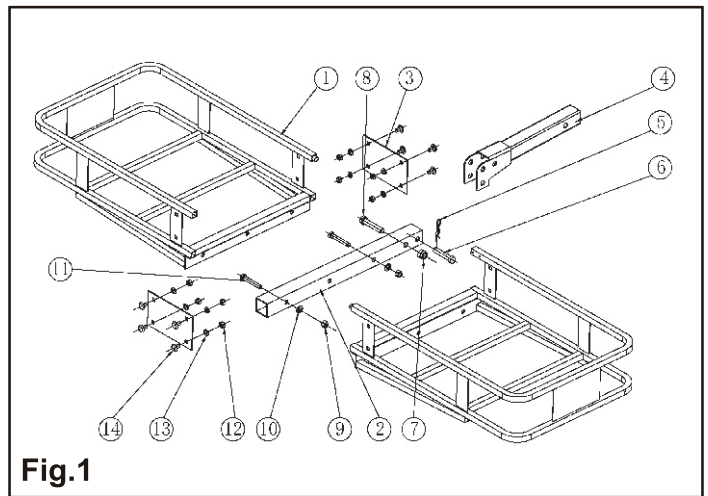


Fig.1

## Loading Your Cargo

### WARNINGS

- The maximum weight of the cargo on the carrier must not exceed 500lbs.
- Only use the cargo carrier with a properly installed 2" hitch receiver capable of supporting the cargo carrier and its load\*. Refer to the manufacturer's specifications and load capacities before using your hitch receiver.
- Distribute the cargo weight evenly on the platform.
- Use extreme caution when transporting live animals (in approved carriers)—exhaust fumes may be fatal.
- This carrier is not intended for transporting humans.
- Do not carry loads longer or wider than the cargo carrier.
- Do not carry flammable items on the carrier.
- Do not allow exhaust fumes to vent directly on cargo items. This is a FIRE HAZARD.
- The manufacturer is not responsible for any damage if these warnings are disregarded.

1. Position the cargo on the frame to find the center of gravity, where the cargo will rest without swaying easily during transport.
2. Tie the cargo with bungee cord, or some other type of tie, to help prevent swaying.

## Folding The Frame Body When Not In Use

1. Pull out the clip (part# 5) and the pin (part# 6).
2. Rotate the frame body upward until the frame body is vertical, as shown in Figure 2.
3. Insert the pin (part# 6) through the 2" frame tube (part# 2) and the 2" draw bar (part# 4) to hold the carrier in this position.
4. Insert the clip (part# 5) into the pin (part# 6).



Fig. 2

1—The weight of the cargo carrier is 55 lbs.