

TruxMate

DELUXE STEEL FOLDING CARGO CARRIER USER MANUAL



SAVE THESE INSTRUCTIONS

⚠ WARNING ⚠

- Read carefully and understand all **ASSEMBLY AND OPERATION INSTRUCTIONS** before operating. Failure to follow the safety rules and other basic safety precautions may result in serious personal injury.
- The warnings, cautions, and instructions discussed in this instruction manual cannot cover all possible conditions or situations that could occur. Use common sense and caution when operating this product.

TECHNICAL SPECIFICATIONS

Property	Specification
Length	61-1/2"
Width	23-3/4"
Height	5-1/2"
Maximum Weight Capacity	500LBS

WARNING

- Never exceed the vehicle manufacturer's recommended towing capacity.
- Do not exceed maximum weight capacity of 500 lbs. when using 2" receiver tube. Distribute the weight evenly on platform when hauling a load.
- Do not carry loads taller, wider or deeper than the cargo carrier. Do not carry flammable items on carrier or allow exhaust fumes to blow directly on your cargo. This is a fire hazard.
- Always use caution when in reverse (R) to help avoid personal injury. Loads must be evenly distributed.
- Never use as a step or platform - injury may result.
- Do not use to carry flammable items or allow exhaust fumes to blow directly on items in the carrier – fire hazard.
- Do not use to transport people.
- Do not block brake lights or turn signals.

ASSEMBLY INSTRUCTIONS

Note: 17mm, 19mm & 24mm Allen Wrenches (not included) are recommended for assembly.

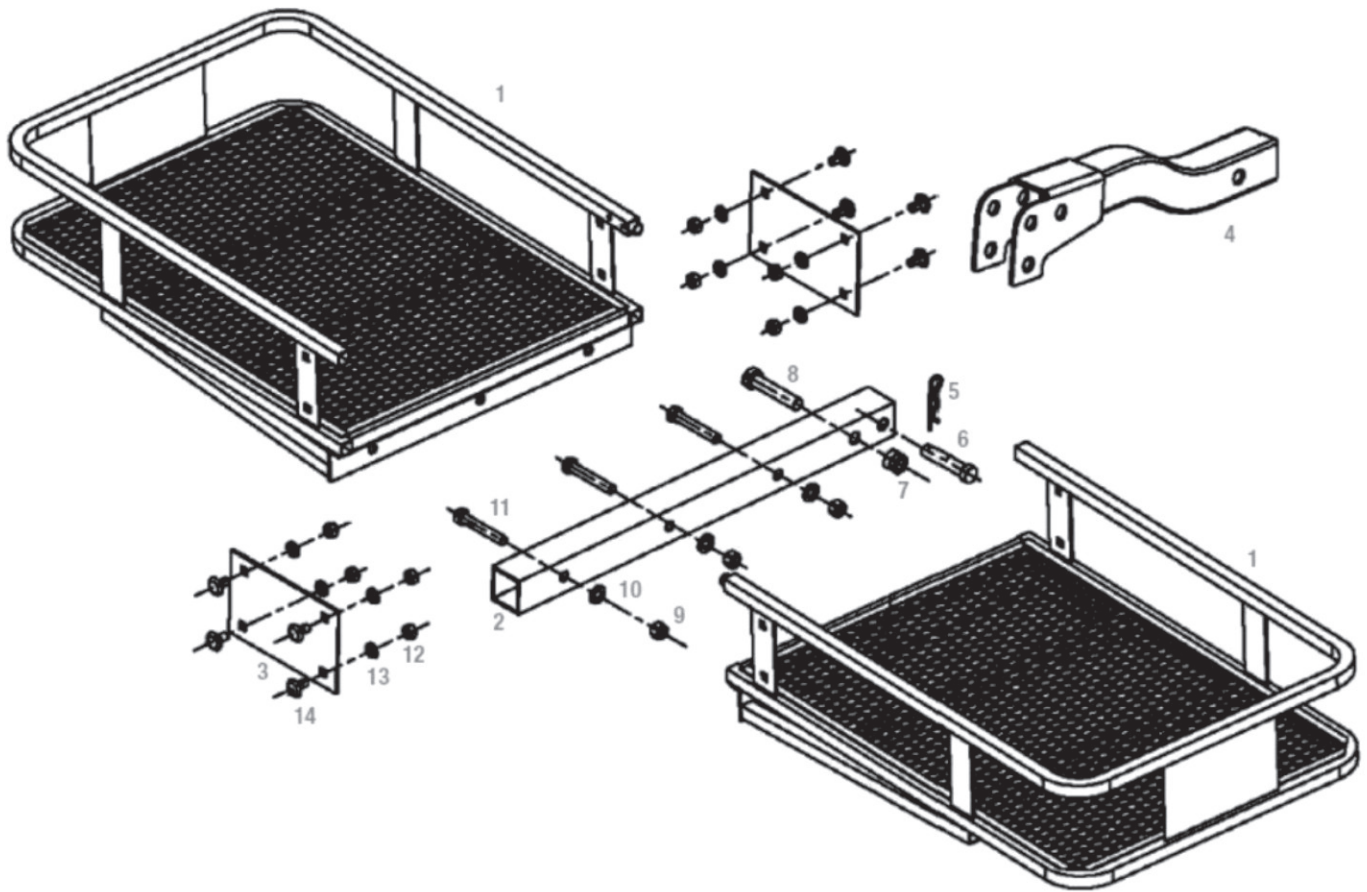
STEP 1: In Align the two platform halves (#1) on either side of the 2" shank (#2). Insert the three M12 hex bolts (#11) through the platform (#1), shank (#2) and other platform half (#1). Install M12 flat washers (#10) and M12 lock nuts (#9) on the hex bolts (#11). Snug the hardware, but do not fully tighten.

STEP 2: Place the two connecting plates (#3) onto the front and back of the platforms (#1). Insert the M10 carriage bolts (#14) through the outside of the platforms (#1) followed by the M10 flat washers (#13) and secure with M10 lock nuts (#12) to the inside of the platforms (#1).

STEP 3: Connect the folding shank assembly (#4) to the 2" shank (#2) with an M16 hex bolt (#8), pin (#6) and clip (#5).

STEP 4: To adjust the cargo carrier to the upright, folded position, remove the pin and clip (#5, #6). Lift the frame body up until it is in the vertical position. Reinsert the pin (#6) through the shank (#2) and the lower hole of the folding shank assembly (#4). Secure the pin with the provided clip (#5).

EXPLODED VIEW & PARTS LIST



Part #	Description	QTY	Part #	Description	QTY
1	Platform frame, half	2	8	Hex bolt, M16 x 80mm	1
2	Shank, 2"	1	9	Lock nut, M12	3
3	Connecting plate	2	10	Flat washer, M12	3
4	Folding shank assembly	1	11	Hex bolt, M12 x 75mm	3
5	Clip	1	12	Lock nut, M10	8
6	Pin, 5/8"	1	13	Flat washer, M10	8
7	Lock nut, M16	1	14	Carriage bolt, M10 x 20mm	8

