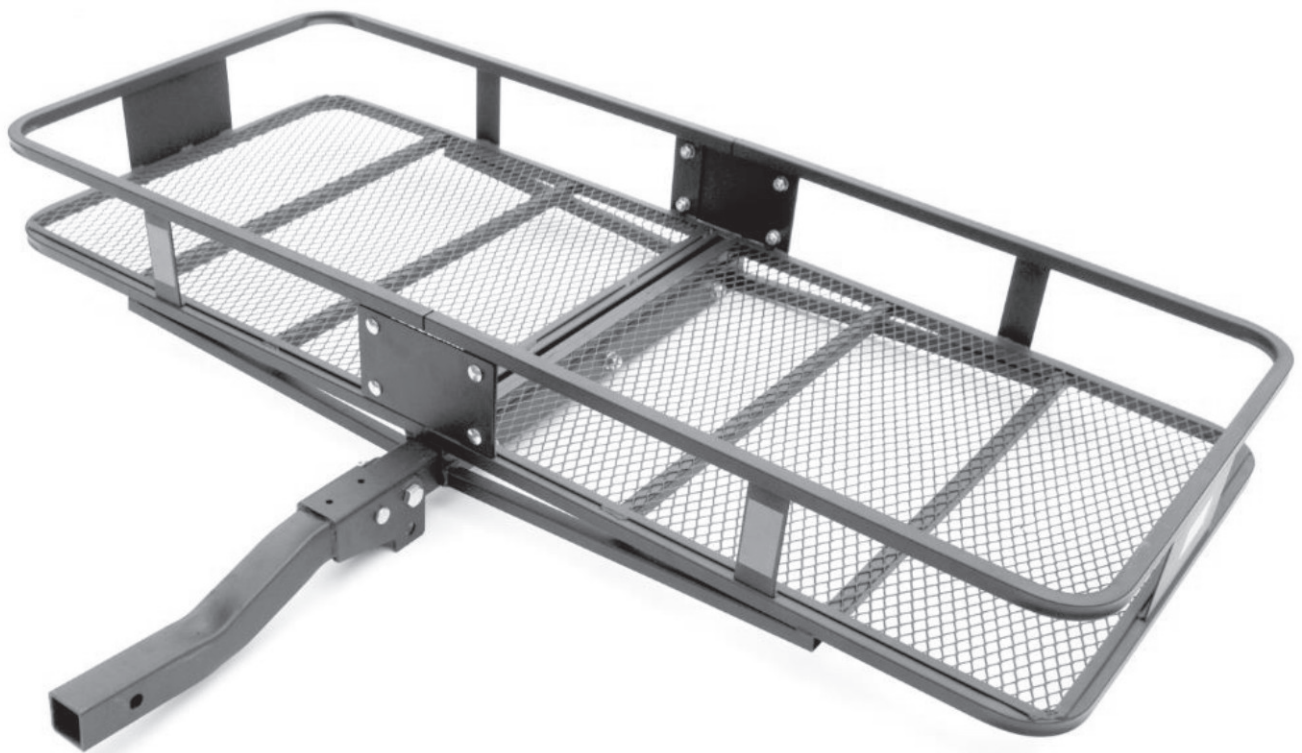




# DELUXE STEEL FOLDING CARGO CARRIER USER MANUAL



## SAVE THESE INSTRUCTIONS

### WARNING

- Read carefully and understand all **ASSEMBLY AND OPERATION INSTRUCTIONS** before operating. Failure to follow the safety rules and other basic safety precautions may result in serious personal injury.
- The warnings, cautions, and instructions discussed in this instruction manual cannot cover all possible conditions or situations that could occur. Use common sense and caution when operating this product.

---

## TECHNICAL SPECIFICATIONS

Property	Specification
Length	60"
Width	23-3/4"
Height	5-1/2"
Maximum Weight Capacity	500LBS

### WARNING

- Never exceed the vehicle manufacturer's recommended towing capacity.
- Do not exceed maximum weight capacity of 500 lbs. when using 2" receiver tube. Distribute the weight evenly on platform when hauling a load.
- Do not carry loads taller, wider or deeper than the cargo carrier. Do not carry flammable items on carrier or allow exhaust fumes to blow directly on your cargo. This is a fire hazard.
- Always use caution when in reverse (R) to help avoid personal injury. Loads must be evenly distributed.
- Never use as a step or platform - injury may result.
- Do not use to carry flammable items or allow exhaust fumes to blow directly on items in the carrier – fire hazard.
- Do not use to transport people.
- Do not block brake lights or turn signals.

## ASSEMBLY INSTRUCTIONS

**Note:** 17mm, 19mm & 24mm Allen Wrenches (not included) are recommended for assembly.

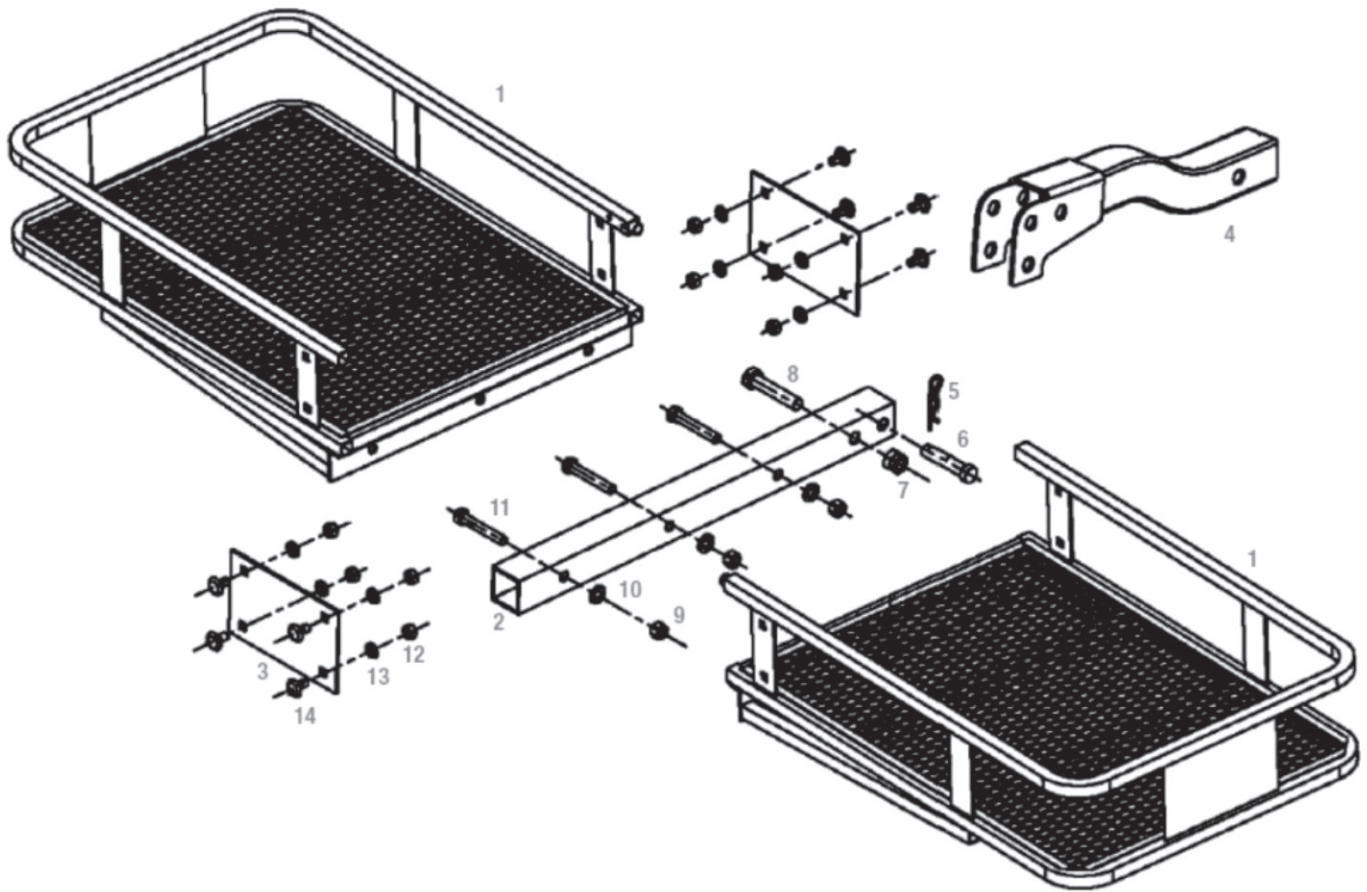
**STEP 1:** In Align the two platform halves (#1) on either side of the 2" shank (#2). Insert the three M12 hex bolts (#11) through the platform (#1), shank (#2) and other platform half (#1). Install M12 flat washers (#10) and M12 lock nuts (#9) on the hex bolts (#11). Snug the hardware, but do not fully tighten.

**STEP 2:** Place the two connecting plates (#3) onto the front and back of the platforms (#1). Insert the M10 carriage bolts (#14) through the outside of the platforms (#1) followed by the M10 flat washers (#13) and secure with M10 lock nuts (#12) to the inside of the platforms (#1).

**STEP 3:** Connect the folding shank assembly (#4) to the 2" shank (#2) with an M16 hex bolt (#8), pin (#6) and clip (#5).

**STEP 4:** To adjust the cargo carrier to the upright, folded position, remove the pin and clip (#5, #6). Lift the frame body up until it is in the vertical position. Reinsert the pin (#6) through the shank (#2) and the lower hole of the folding shank assembly (#4). Secure the pin with the provided clip (#5).

## EXPLODED VIEW & PARTS LIST



Part #	Description	QTY	Part #	Description	QTY
1	Platform frame, half	2	8	Hex bolt, M16 x 80mm	1
2	Shank, 2"	1	9	Lock nut, M12	3
3	Connecting plate	2	10	Flat washer, M12	3
4	Folding shank assembly	1	11	Hex bolt, M12 x 75mm	3
5	Clip	1	12	Lock nut, M10	8
6	Pin, 5/8"	1	13	Flat washer, M10	8
7	Lock nut, M16	1	14	Carriage bolt, M10 x 20mm	8