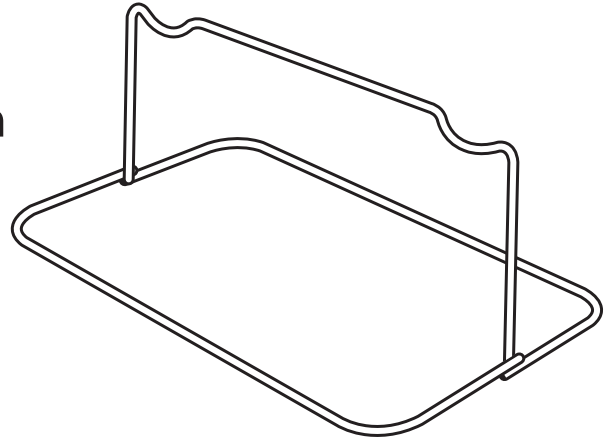


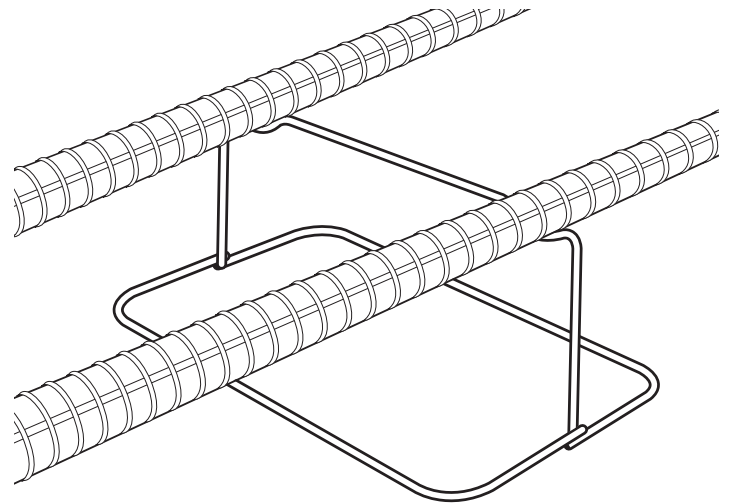
2 Rod Chair

- Use to elevate and hold rebar before concrete is poured
- Support up to 2 pieces of rebar
- Use for 12in. footings

1 Position rod chairs on ground in form or in trench



2 Place rebar on chair
Holds two #3 - #6 rods



3 Secure rebar in place
with tie wire

