

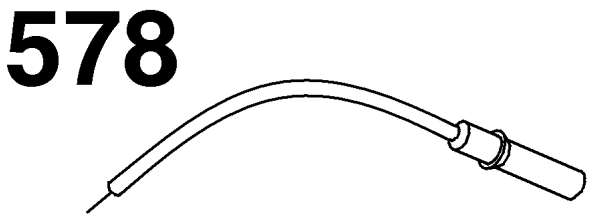
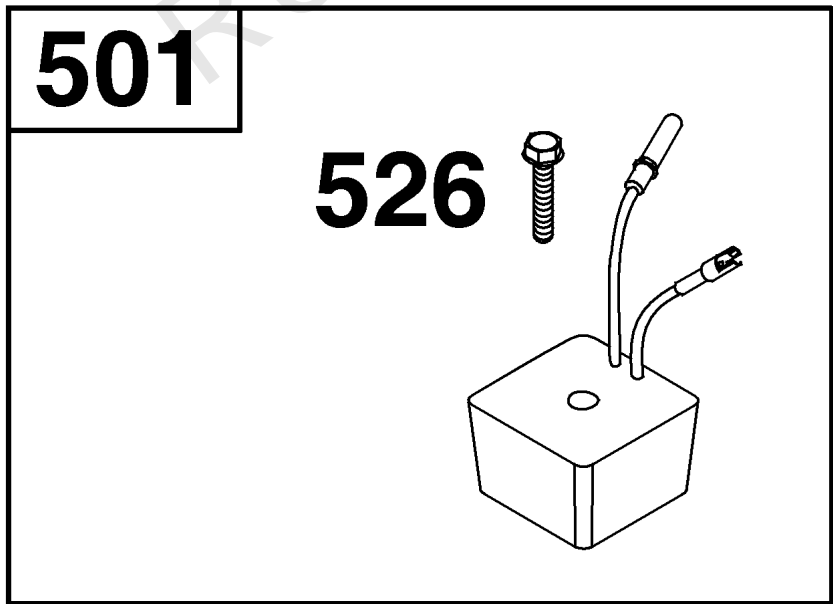
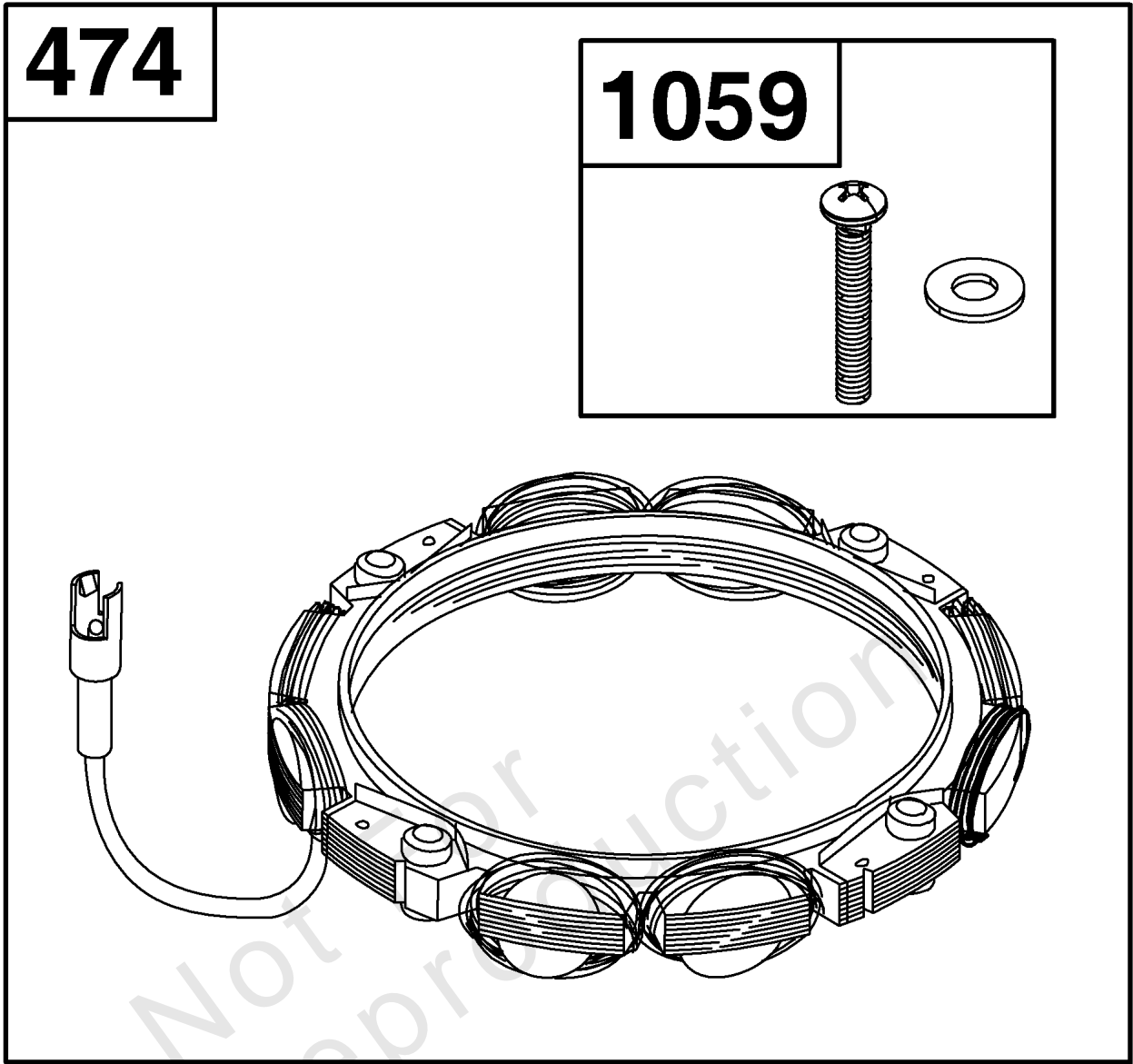


Parts Manual

Mfg. No: 21R807-0072-G1

| Model Components | Page |
|---|-------------|
| Alternator Group..... | 4 |
| Blower Housing and Air Cleaner Group..... | 6 |
| Carburetor and Fuel Supply Group..... | 8 |
| Controls Group..... | 10 |
| Crankcase Cover/Sump and Lubrication Group..... | 12 |
| Crankshaft Group..... | 14 |
| Cylinder Group..... | 16 |
| Cylinder Head Group..... | 18 |
| Exhaust Group..... | 20 |
| Flywheel, Ignition, and Starter Group..... | 22 |
| Replacement Engine US & Canada..... | 24 |

Not For
Reproduction



Alternator Group

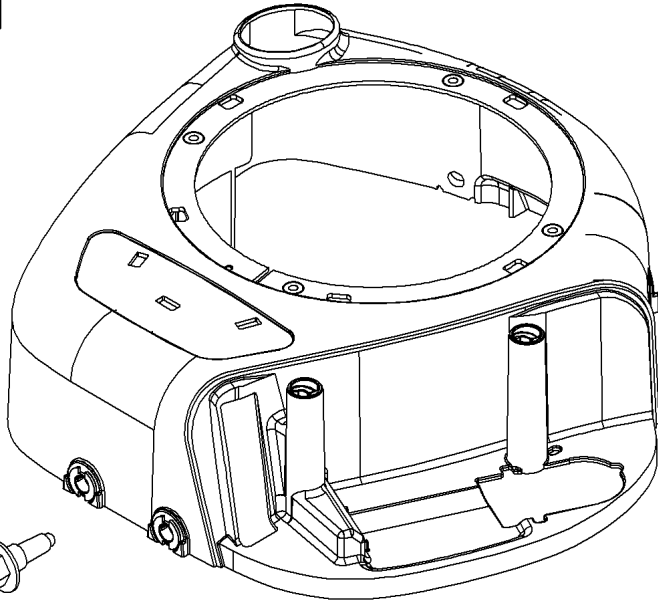
| REF NO | PART NO | QTY | DESCRIPTION |
|--------|---------|-----|------------------------|
| 474 | 592829 | 1 | ALTERNATOR |
| 501 | 794360 | 1 | REGULATOR |
| 526 | 697088 | 1 | SCREW -(Regulator) |
| 578 | 692306 | 1 | WIRE ASSEMBLY |
| 1059 | 698516 | 1 | KIT, Screw/Washer |
| 1119 | 691183 | 2 | SCREW -(Alternator) |

Not For Reproduction

305B



304



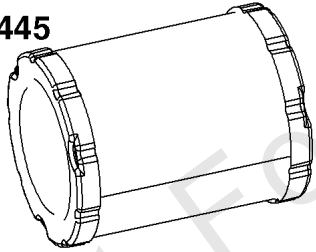
305A



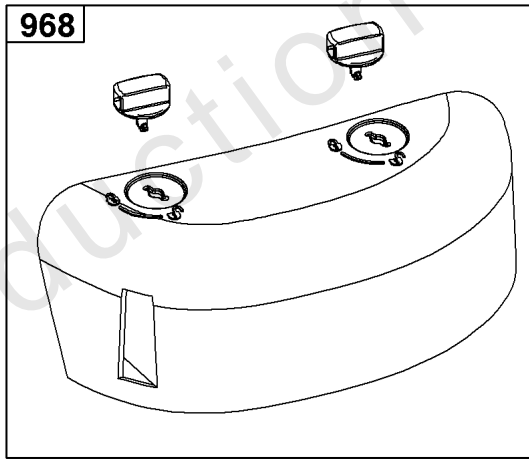
305



445



968



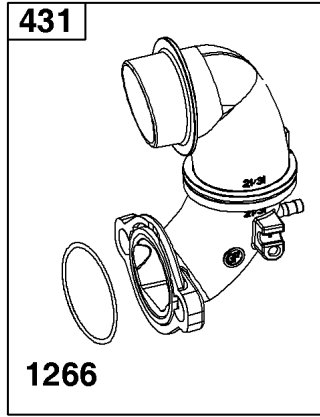
1319
1319A



1036



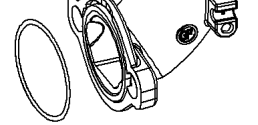
431



964



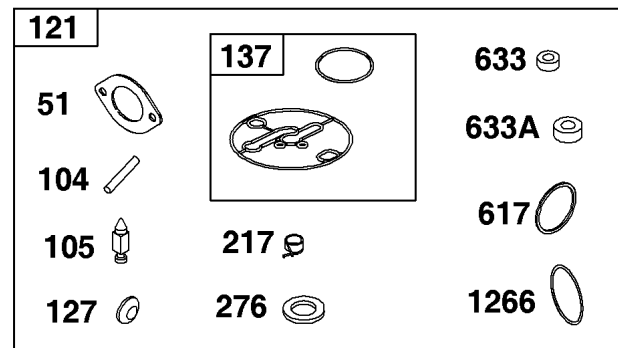
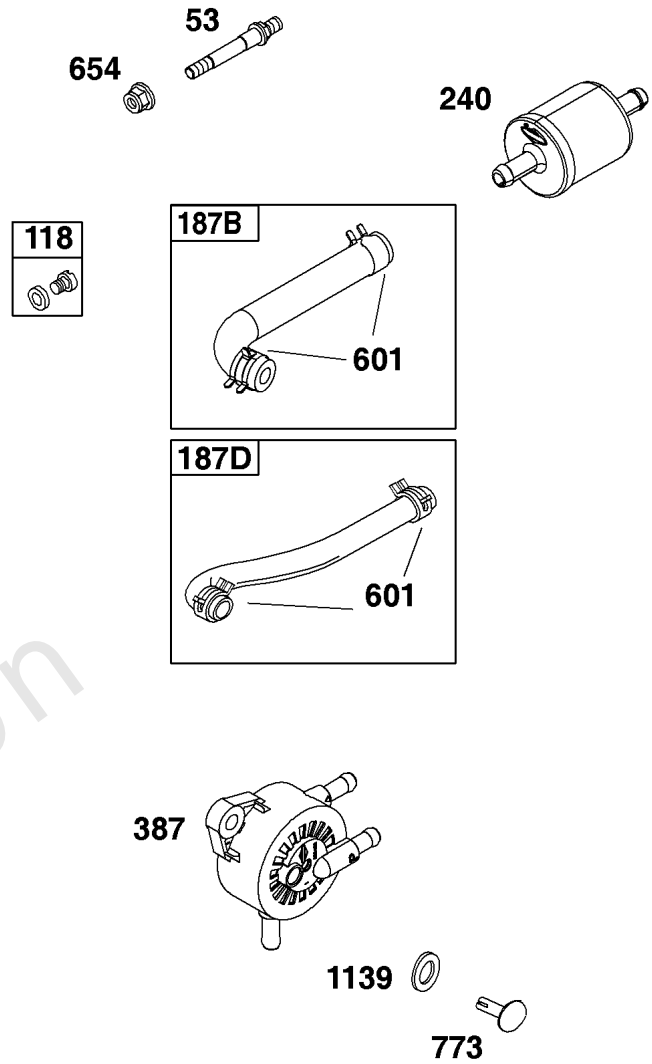
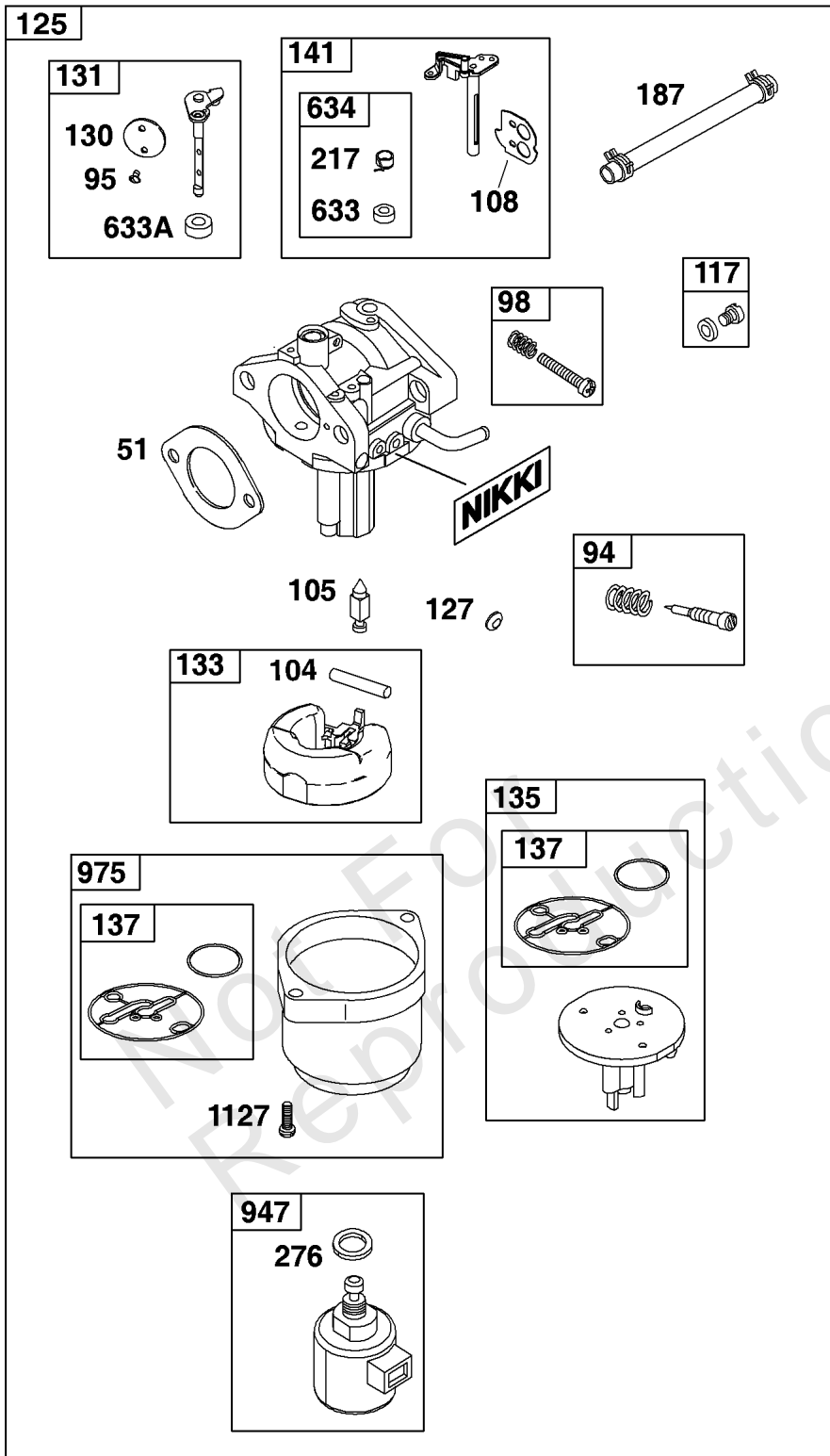
1266



Not For Reproduction

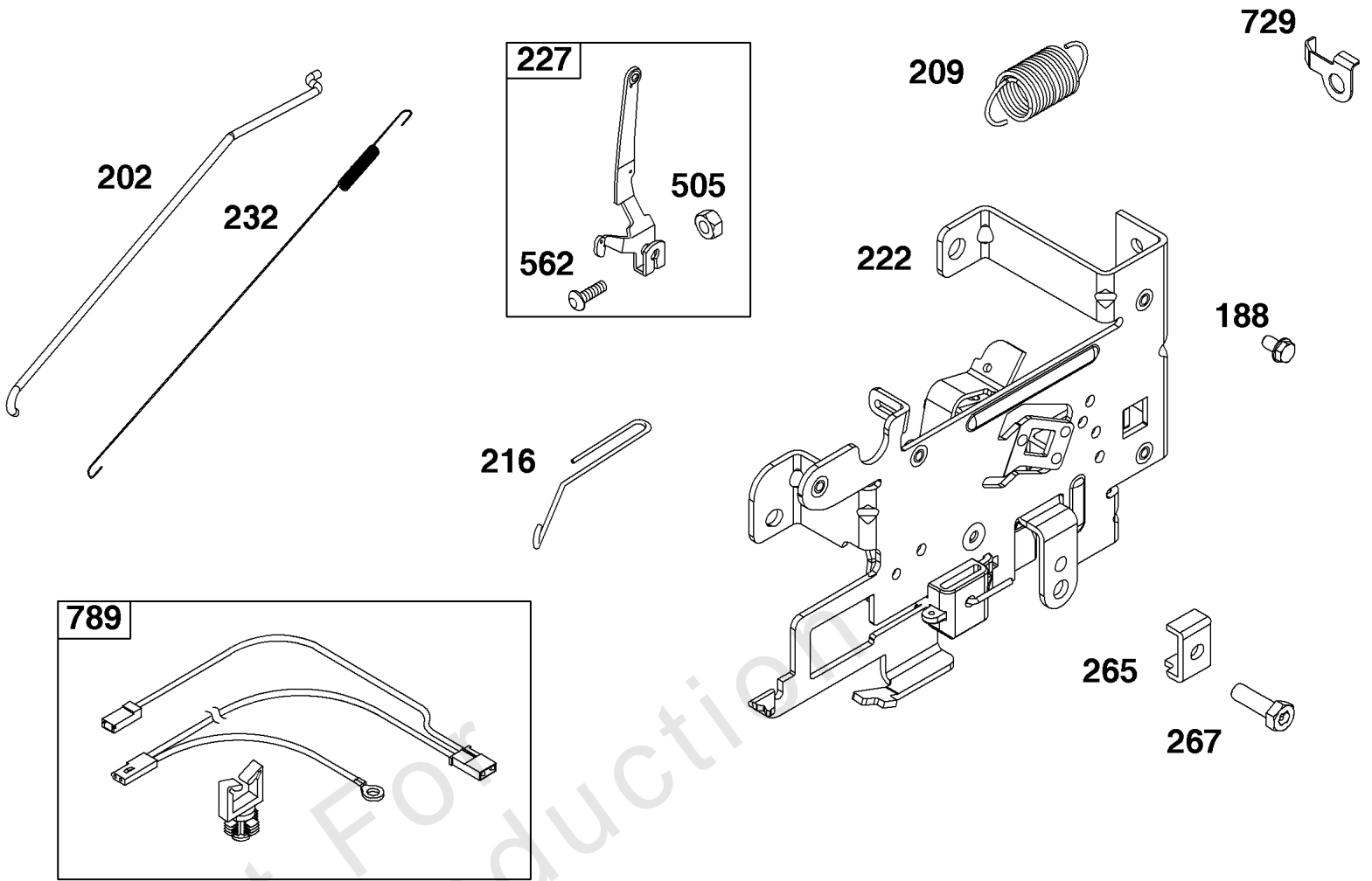
Blower Housing and Air Cleaner Group

| REF NO | PART NO | QTY | DESCRIPTION |
|---------------|----------------|------------|--|
| 304 | 591641 | 1 | HOUSING, Blower |
| 305 | 596718 | 2 | SCREW -(Blower Housing) |
| 305A | 799370 | 2 | SCREW -(Blower Housing) |
| 305B | 795891 | 1 | SCREW -(Blower Housing) |
| 431 | 797901 | 1 | ELBOW, Intake |
| 445 | 591583 | 1 | FILTER, A/C Cartridge |
| 964 | 799159 | 1 | CAP, Connector |
| 968 | 591646 | 1 | COVER, Air Cleaner |
| 1036 | ----- | 1 | LABEL, Emissions -(Available from a Briggs & Stratton Authorized Dealer) |
| 1266 | 691917 | 1 | SEAL, O-Ring -(Intake Elbow) |
| 1319 | 794467 | 1 | LABEL, Warning -(REQUIRED When Replacing Parts With Warning Labels Affixed) |
| 1319A | 797669 | 1 | LABEL, Warning -(REQUIRED When Replacing Parts With Warning Labels Affixed) |



Carburetor and Fuel Supply Group

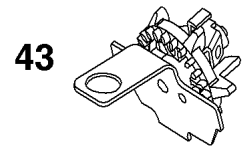
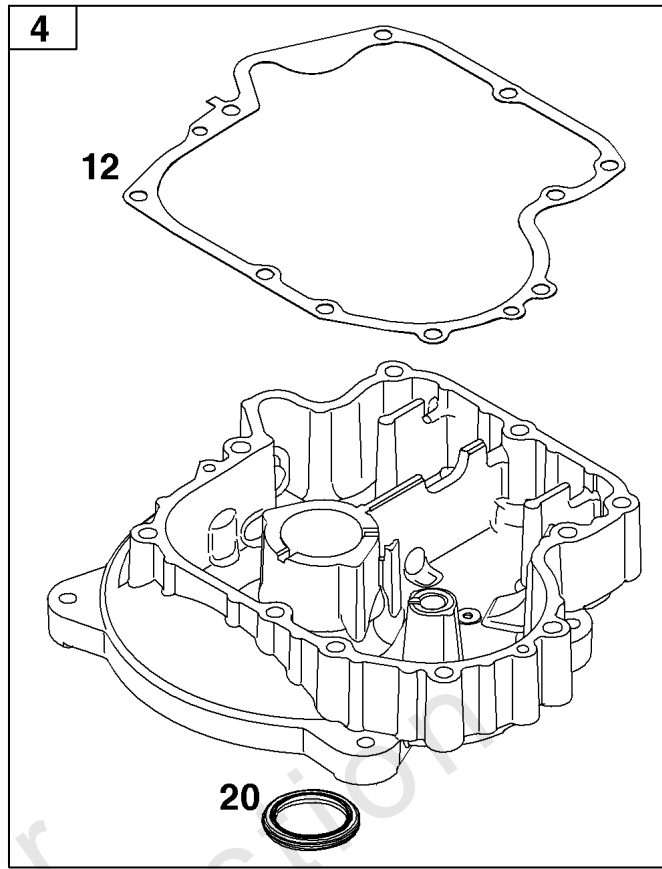
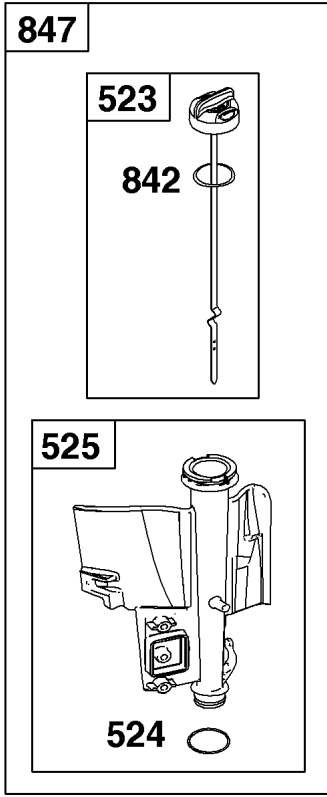
| REF NO | PART NO | QTY | DESCRIPTION |
|--------|----------|-----|--|
| 51 | ----- | 1 | GASKET, Intake -(Part information located in Cylinder Head Group.) |
| 53 | 591260 | 2 | STUD -(Carburetor) |
| 94 | 793610 | 1 | KIT, Idle Mixture |
| 95 | 690718 | 2 | SCREW -(Throttle Valve) |
| 98 | 695408 | 1 | KIT, Idle Speed |
| 104 | 694918 | 1 | PIN, Float Hinge |
| 105 | 696136 | 1 | VALVE, Float Needle |
| 108 | 698773 | 1 | VALVE, Choke |
| 117 | 791405 | 1 | JET, Main -(Standard) |
| 118 | 698788 | 1 | JET, Main -(High Altitude) |
| 121 | 796184 | 1 | KIT, Carburetor Overhaul -(Service Kits may include extra parts not specific to this engine.) |
| 125 | 593433 | 1 | CARBURETOR |
| 127 | 690727 | 1 | PLUG, Welch |
| 130 | 698774 | 1 | VALVE, Throttle |
| 131 | 698776 | 1 | KIT, Throttle Shaft |
| 133 | 694914 | 1 | FLOAT, Carburetor |
| 135 | 796400 | 1 | TUBE, Fuel Transfer |
| 137 | 698781 | 1 | GASKET, Float Bowl |
| 141 | 698778 | 1 | KIT, Choke Shaft |
| 187 | 791766 | 2 | LINE, Fuel |
| 187B | 791805 | 1 | LINE, Fuel |
| 187D | 791744 | 1 | LINE, Fuel |
| 217 | 695409 | 1 | SPRING, Choke Return |
| 240 | 84001895 | 1 | FILTER, Fuel |
| 276 | 695410 | 1 | WASHER, Sealing |
| 387 | 808656 | 1 | PUMP, Fuel |
| 601 | 791850 | 6 | CLAMP, Hose |
| 617 | ----- | 1 | SEAL, O-Ring -(Part information located in Cylinder Head Group.) |
| 633 | 699813 | 1 | SEAL, Choke/Throttle Shaft |
| 633A | 690998 | 1 | SEAL, Choke/Throttle Shaft |
| 634 | 698779 | 1 | SPRING/SEAL ASSEMBLY |
| 654 | 690958 | 2 | NUT -(Carburetor) |
| 773 | 796448 | 2 | RETAINER |
| 947 | 596038 | 1 | SOLENOID, Fuel |
| 975 | 699502 | 1 | BOWL, Float |
| 1127 | 695407 | 2 | SCREW -(Float Bowl) (Float Bowl to Carburetor Body) |
| 1139 | 796449 | 2 | WASHER |
| 1266 | ----- | 1 | SEAL, O-Ring -(Part information located in Blower Housing and Air Cleaner Group.) |



Controls Group

| REF NO | PART NO | QTY | DESCRIPTION |
|--------|---------|-----|-----------------------------------|
| 188 | 691693 | 2 | SCREW -(Control Bracket) |
| 202 | 691841 | 1 | LINK, Mechanical Governor |
| 209 | 792602 | 1 | SPRING, Governor |
| 216 | 691840 | 1 | LINK, Choke |
| 222 | 597209 | 1 | BRACKET, CONTROL |
| 227 | 691374 | 1 | LEVER, Governor Control |
| 232 | 691842 | 1 | SPRING, Governor Link |
| 265 | 691024 | 1 | CLAMP, Casing |
| 267 | 794904 | 1 | SCREW -(Casing Clamp) |
| 505 | 691251 | 1 | NUT -(Governor Control Lever) |
| 562 | 691119 | 1 | BOLT -(Governor Control Lever) |
| 729 | 691224 | 1 | CLIP, Wire |
| 789 | 692037 | 1 | HARNESS-WIRING |

Not For Reproduction

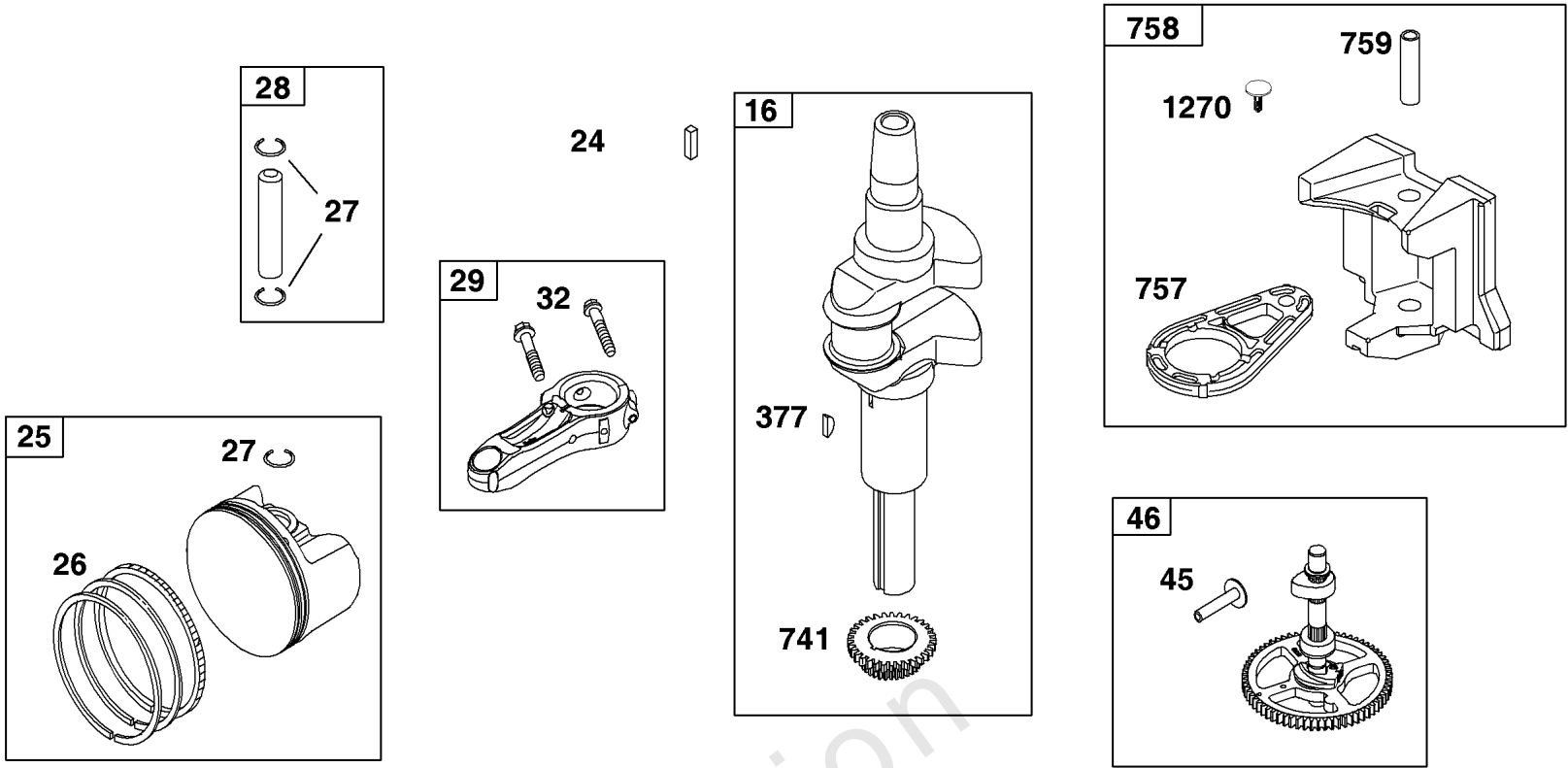


Not For
Reproduction

Crankcase Cover/Sump and Lubrication Group

| REF NO | PART NO | QTY | DESCRIPTION |
|---------------|----------------|------------|----------------------------------|
| 4 | 697106 | 1 | SUMP, Engine |
| 12 | 697110 | 1 | GASKET, Crankcase |
| 15 | 690946 | 1 | PLUG, Oil Drain |
| 20 | 795387 | 1 | SEAL, Oil -(PTO Side) |
| 22 | 692125 | 10 | SCREW -(Crankcase Cover/Sump) |
| 43 | 691968 | 1 | SLINGER, Governor/Oil |
| 523 | 699908 | 1 | DIPSTICK |
| 524 | 691032 | 1 | SEAL, O-Ring -(Dipstick Tube) |
| 525 | 697085 | 1 | TUBE, Dipstick |
| 842 | 691031 | 1 | SEAL, O-Ring -(Dipstick Cap) |
| 847 | 790443 | 1 | DIPSTICK/TUBE ASSEMBLY |
| 850 | 100106 | 1 | SEALANT, Liquid |

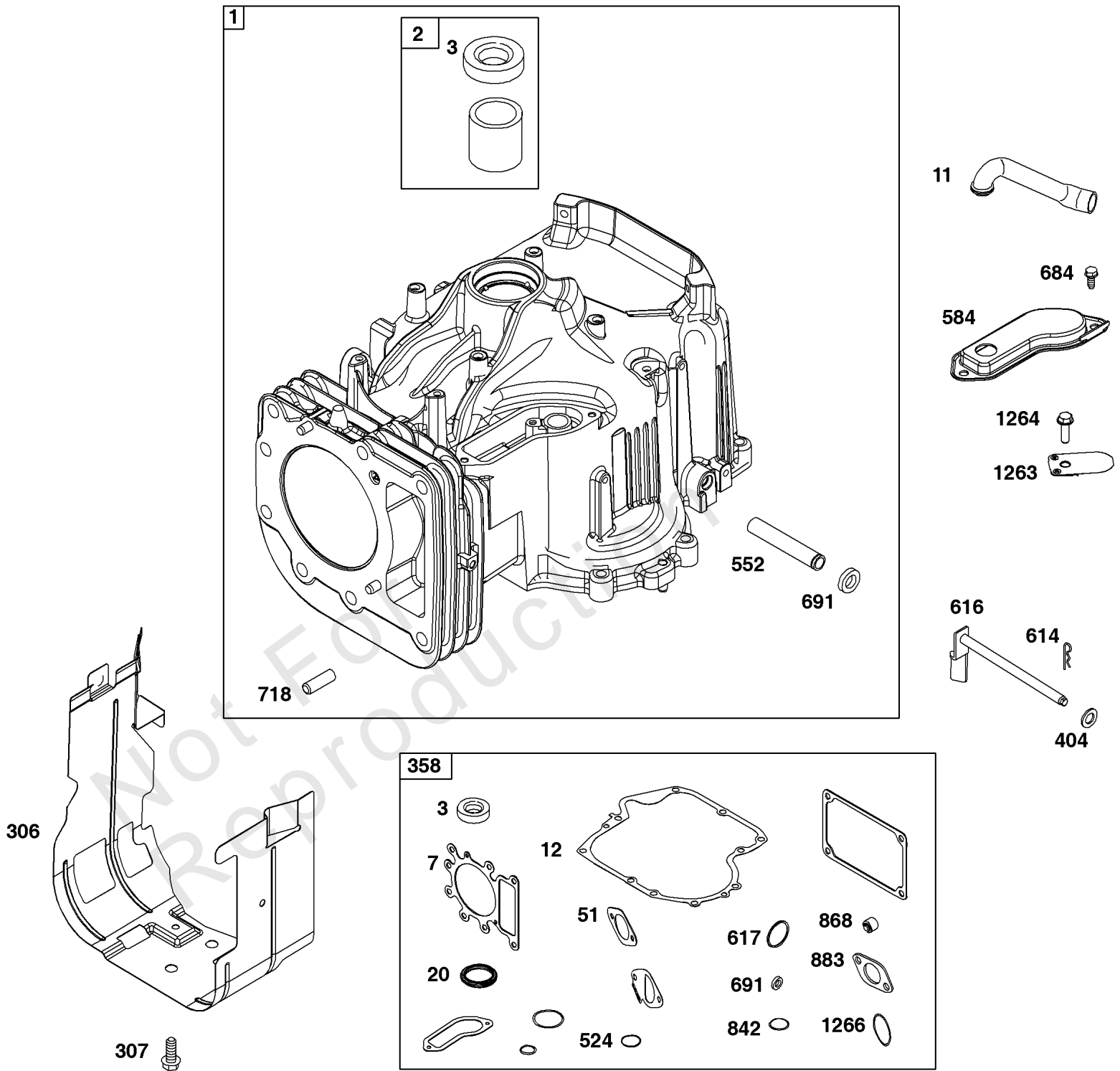
Not For Reproduction



Not For
Reproduction

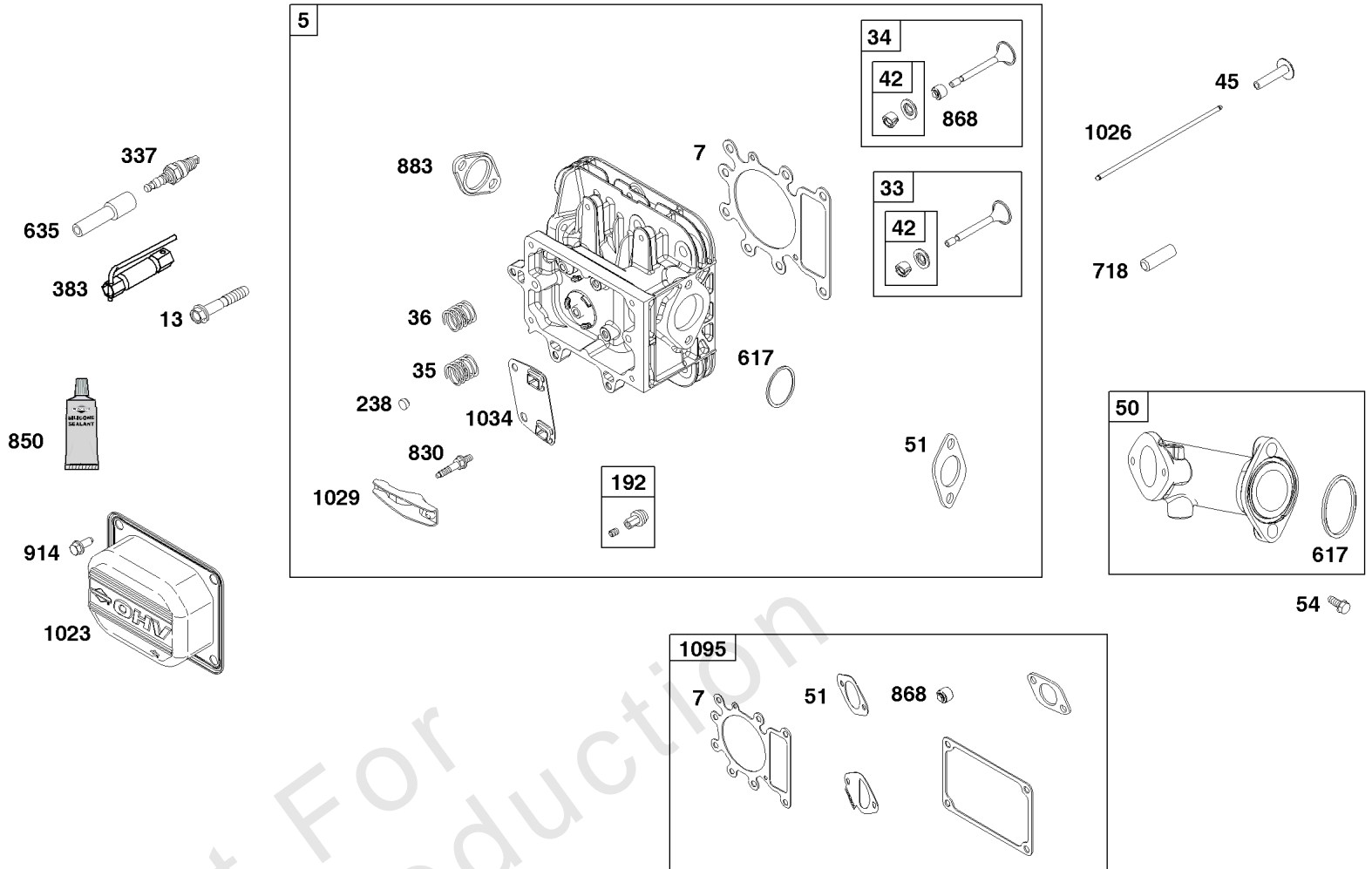
Crankshaft Group

| REF NO | PART NO | QTY | DESCRIPTION |
|--------|----------|-----|--|
| 16 | 593417 | 1 | CRANKSHAFT |
| 24 | 591757 | 1 | KEY, Flywheel |
| 25 | 595053 | 1 | PISTON ASSEMBLY -(Standard) |
| 25 | 595054 | 1 | PISTON ASSEMBLY -(.020 Oversize) |
| 26 | 797011 | 2 | SET, Ring -(Standard) |
| 26 | 792643 | 1 | SET, Ring -(.020 Oversize) |
| 27 | 698469 | 1 | LOCK, Piston Pin |
| 28 | 84002062 | 1 | PIN, PISTON |
| 29 | 791633 | 1 | ROD, Connecting |
| 32 | 791118 | 2 | SCREW -(Connecting Rod) |
| 377 | 691639 | 1 | KEY, Woodruff |
| 45 | 690564 | 2 | TAPPET, Valve -(Part information located in Cylinder Head Group.) |
| 46 | 793880 | 1 | CAMSHAFT |
| 741 | 697128 | 1 | GEAR, Timing |
| 757 | 793242 | 2 | LINK, Counterweight |
| 758 | 593418 | 1 | COUNTERWEIGHT |
| 759 | 697392 | 2 | PIN, Counterweight |
| 1270 | 793243 | 1 | PLUG, AVS Counterweight |



Cylinder Group

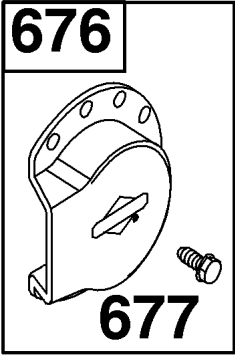
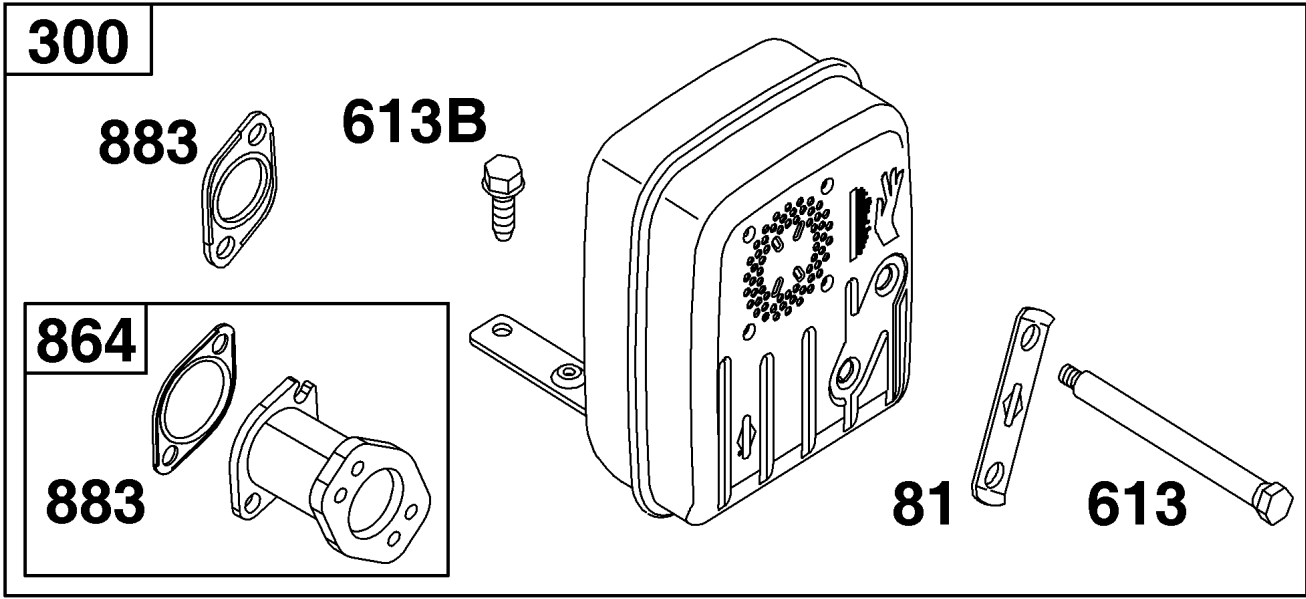
| REF NO | PART NO | QTY | DESCRIPTION |
|--------|---------|-----|---|
| 1 | 697377 | 1 | CYLINDER ASSEMBLY |
| 2 | 797673 | 1 | KIT, Bushing/Seal -(Magneto Side) |
| 3 | 391086S | 1 | SEAL, Oil -(Magneto Side) |
| 7 | ----- | 1 | GASKET, Cylinder Head -(Part information located in Cylinder Head Group.) |
| 11 | 794683 | 1 | TUBE, Breather |
| 12 | ----- | 1 | GASKET, Crankcase -(Part information located in Crankcase Cover/Sump and Lubrication Group.) |
| 20 | ----- | 1 | SEAL, Oil -(Part information located in Crankcase Cover/Sump and Lubrication Group.) |
| 51 | ----- | 1 | GASKET, Intake -(Part information located in Cylinder Head Group.) |
| 306 | 592778 | 1 | SHIELD, Cylinder |
| 307 | 691693 | 2 | SCREW -(Cylinder Shield) |
| 358 | 796181 | 1 | GASKET SET, Engine -(Service Kits may include extra parts not specific to this engine.) |
| 404 | 691691 | 2 | WASHER -(Governor Crank) |
| 524 | ----- | 1 | SEAL, O-Ring -(Part information located in Crankcase Cover/Sump and Lubrication Group.) |
| 552 | 697144 | 1 | BUSHING, Governor Crank |
| 584 | 794682 | 1 | COVER, Breather Passage |
| 614 | 691620 | 1 | PIN, Cotter |
| 616 | 692012 | 1 | CRANK, Governor |
| 617 | ----- | 1 | SEAL, O-Ring -(Part information located in Cylinder Head Group.) |
| 684 | 697157 | 2 | SCREW -(Breather Passage Cover) |
| 691 | 692407 | 1 | SEAL, Governor Shaft |
| 718 | 690959 | 2 | PIN, Locating |
| 842 | ----- | 1 | SEAL, O-Ring -(Part information located in Crankcase Cover/Sump and Lubrication Group.) |
| 868 | ----- | 1 | SEAL, Valve -(Part information located in Cylinder Head Group.) |
| 883 | ----- | 1 | GASKET, Exhaust -(Part information located in Exhaust Group.) |
| 1263 | 697124 | 1 | REED, Breather |
| 1264 | 697104 | 1 | SCREW -(Breather Reed) |
| 1266 | ----- | 1 | SEAL, O-Ring -(Part information located in Blower Housing and Air Cleaner Group.) |



Not For
Reproduction

Cylinder Head Group

| REF NO | PART NO | QTY | DESCRIPTION |
|--------|---------|-----|---|
| 5 | 796183 | 1 | HEAD, Cylinder |
| 7 | 273280S | 1 | GASKET, Cylinder Head |
| 13 | 690360 | 6 | SCREW -(Cylinder Head) |
| 33 | 792868 | 1 | VALVE, Exhaust |
| 34 | 791935 | 1 | VALVE, Intake |
| 35 | 691279 | 2 | SPRING, Valve -(Intake) |
| 36 | 691279 | 2 | SPRING, Valve -(Exhaust) |
| 42 | 499586 | 2 | KEEPER, Valve |
| 45 | 690564 | 2 | TAPPET, Valve |
| 50 | 592845 | 1 | MANIFOLD, Intake |
| 51 | 692137 | 1 | GASKET-INTAKE |
| 54 | 691148 | 2 | SCREW -(Intake Manifold) |
| 192 | 691986 | 2 | ADJUSTER, Rocker Arm |
| 238 | 691843 | 2 | CAP, Valve |
| 337 | 555737 | 1 | PLUG, Spark |
| 383 | 19576S | 1 | WRENCH, Spark Plug |
| 617 | 692138 | 1 | SEAL, O-Ring -(Intake Manifold) |
| 635 | 691909 | 1 | BOOT, Spark Plug |
| 718 | 690959 | 2 | PIN, Locating |
| 830 | 691095 | 2 | STUD, Rocker Arm |
| 850 | ----- | 1 | SEALANT, Liquid -(Part information located in Crankcase Cover/Sump and Lubrication Group.) |
| 868 | 690968 | 1 | SEAL, Valve |
| 883 | ----- | 1 | GASKET, Exhaust -(Part information located in Exhaust Group.) |
| 914 | 691108 | 4 | SCREW -(Rocker Cover) |
| 1023 | 797421 | 1 | COVER-ROCKER |
| 1026 | 697394 | 1 | ROD, Push -(Intake) |
| 1026 | 794573 | 1 | ROD, Push -(Exhaust) |
| 1029 | 691751 | 2 | ARM, Rocker |
| 1034 | 690822 | 1 | GUIDE, Push Rod |
| 1095 | 796189 | 1 | GASKET SET, Valve -(Service Kits may include extra parts not specific to this engine.) |

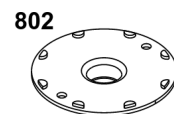
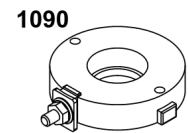
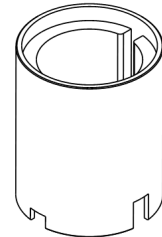
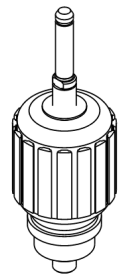
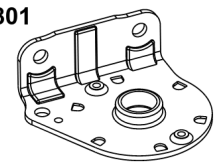
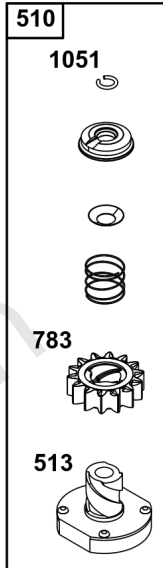
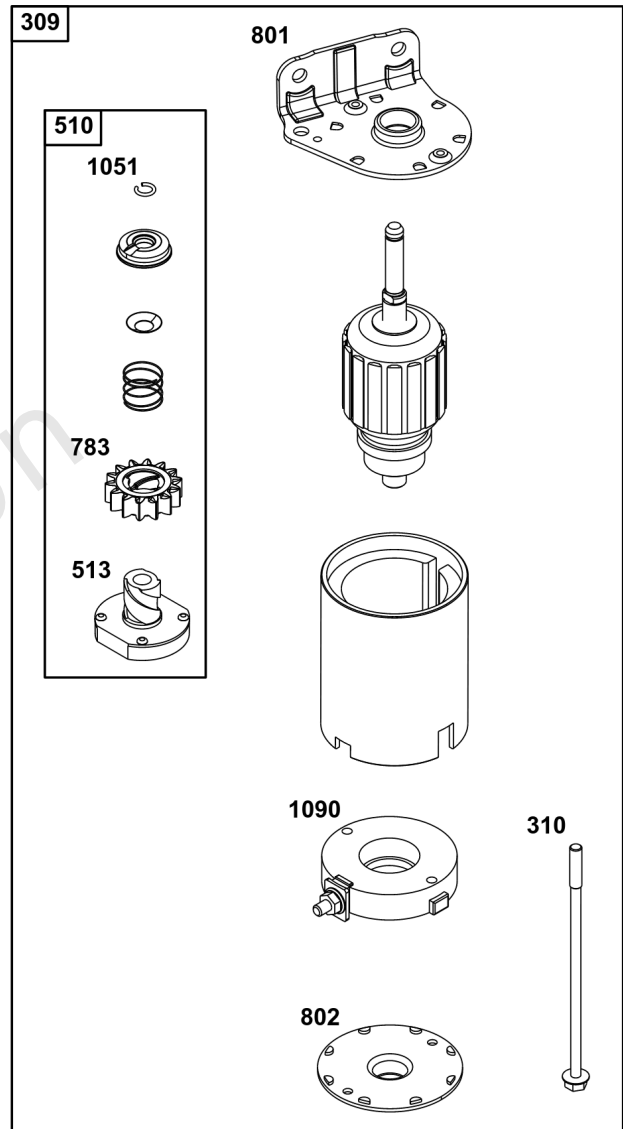
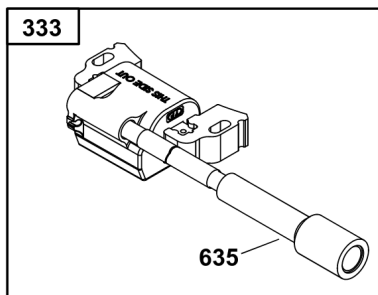
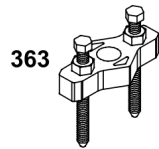
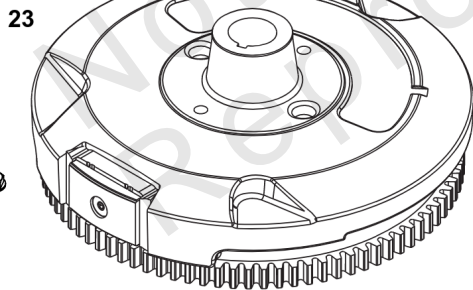
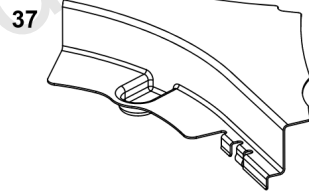
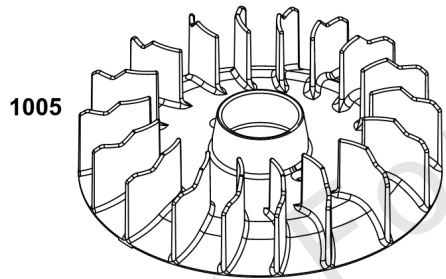
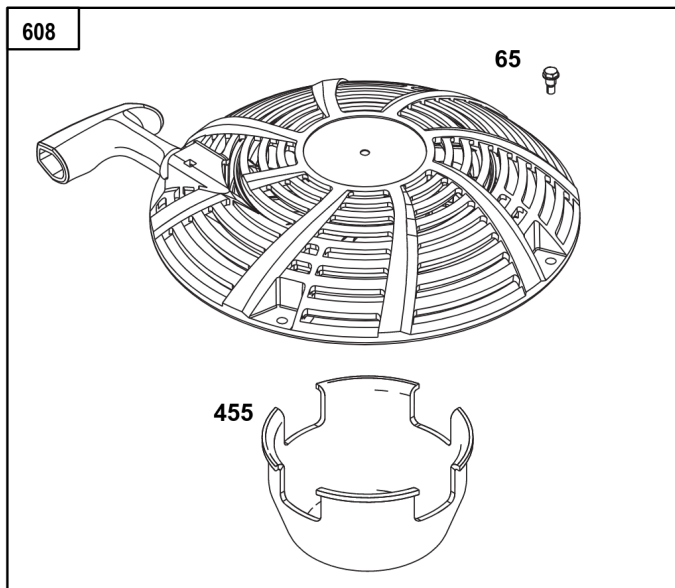


Not For
Reproduction

Exhaust Group

| REF NO | PART NO | QTY | DESCRIPTION |
|--------|---------|-----|---------------------------------|
| 81 | 691178 | 1 | LOCK, Muffler Screw |
| 300 | 795997 | 1 | MUFFLER |
| 613 | 691416 | 2 | SCREW -(Muffler) |
| 613B | 690297 | 1 | SCREW -(Regulator) (Muffler) |
| 676 | 795036 | 1 | DEFLECTOR, Muffler |
| 677 | 690661 | 4 | SCREW -(Muffler Deflector) |
| 823 | 698941 | 2 | SCREW -(Muffler Adapter) |
| 864 | 796002 | 1 | ADAPTER, Muffler |
| 883 | 692236 | 1 | GASKET, Exhaust |

Not For Reproduction



Flywheel, Ignition, and Starter Group

| REF NO | PART NO | QTY | DESCRIPTION |
|---------------|----------------|------------|---------------------------------------|
| 23 | 591760 | 1 | FLYWHEEL |
| 37 | 697352 | 1 | GUARD, Flywheel |
| 65 | 690940 | 4 | SCREW -(Rewind Starter) |
| 78 | 691693 | 2 | SCREW -(Flywheel Guard) |
| 309 | 593934 | 1 | MOTOR, Starter |
| 310 | 690323 | 2 | SCREW -(Starter Motor) |
| 333 | 594626 | 1 | ARMATURE, Magneto |
| 334 | 691061 | 2 | SCREW -(Magneto Armature) |
| 356 | 697089 | 1 | WIRE, Stop |
| 363 | 19203 | 1 | PULLER, Flywheel |
| 455 | 796615 | 1 | CUP, Flywheel |
| 510 | 693699 | 1 | DRIVE, Starter |
| 513 | 692024 | 1 | CLUTCH, Drive |
| 608 | 591606 | 1 | STARTER, Rewind |
| 635 | 691909 | 1 | BOOT, Spark Plug |
| 697 | 791680 | 2 | SCREW -(Starter Motor) (Drive Cap) |
| 783 | 593935 | 1 | GEAR, Pinion |
| 801 | 691283 | 1 | CAP, Drive |
| 802 | 691286 | 1 | CAP, End |
| 1005 | 796200 | 1 | FAN, Flywheel |
| 1044 | 698139 | 1 | SCREW -(Flywheel) |
| 1051 | 691265 | 1 | RING, Retaining |
| 1090 | 691293 | 1 | RETAINER, Brush |

Replacement Engine US & Canada

| REF NO | PART NO | QTY | DESCRIPTION |
|--------|--------------|-----|-------------------------|
| | 21R8070072G1 | | Replacement Engine |
| | 592055 | 1 | Replacement Short Block |
| | ----- | | Idle Speed: 1750 |
| | ----- | | Top No-Load Speed: 3300 |

Not For Reproduction

