



# Parts Manual

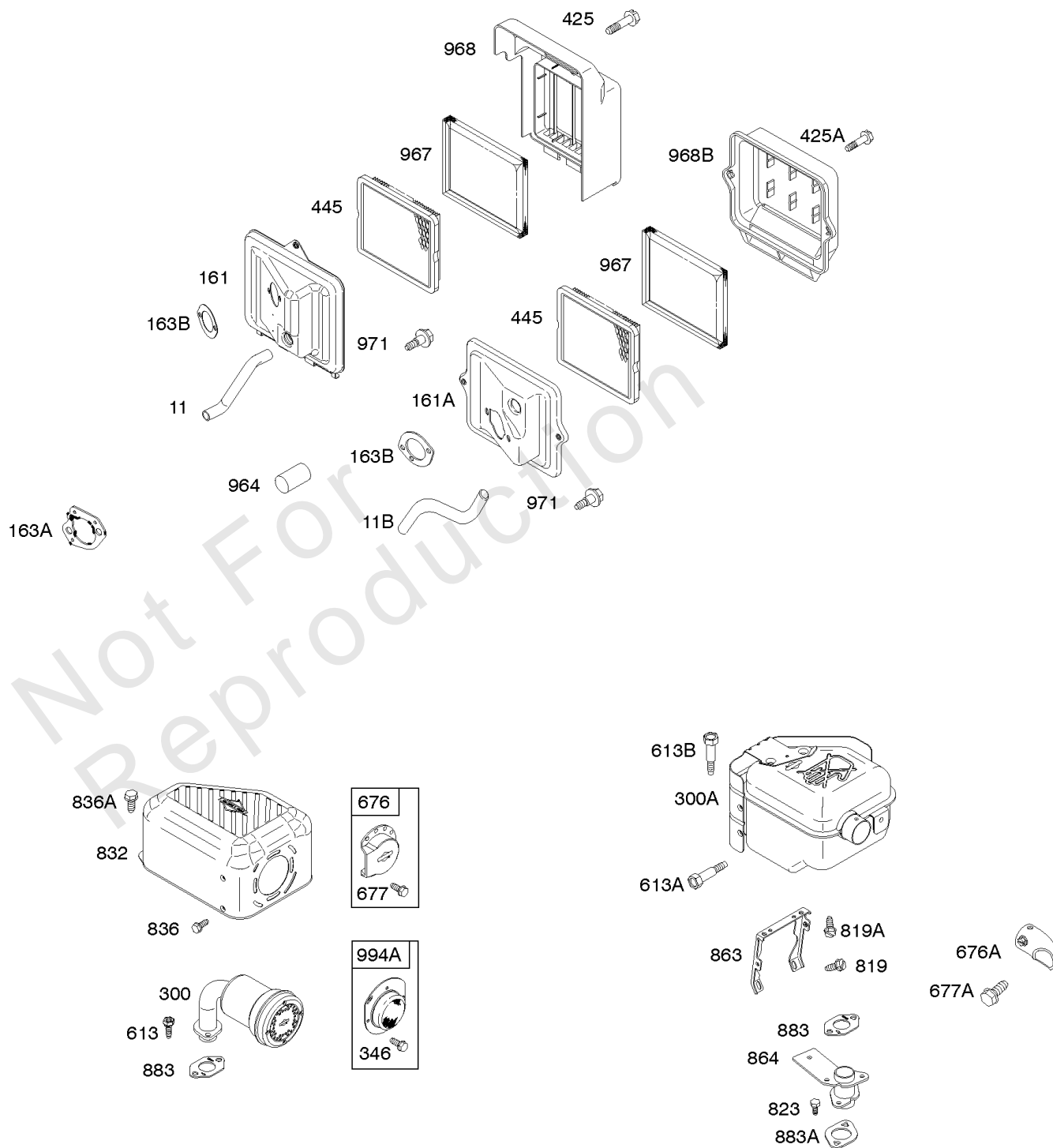
Mfg. No: 15T212-0160-F8



---

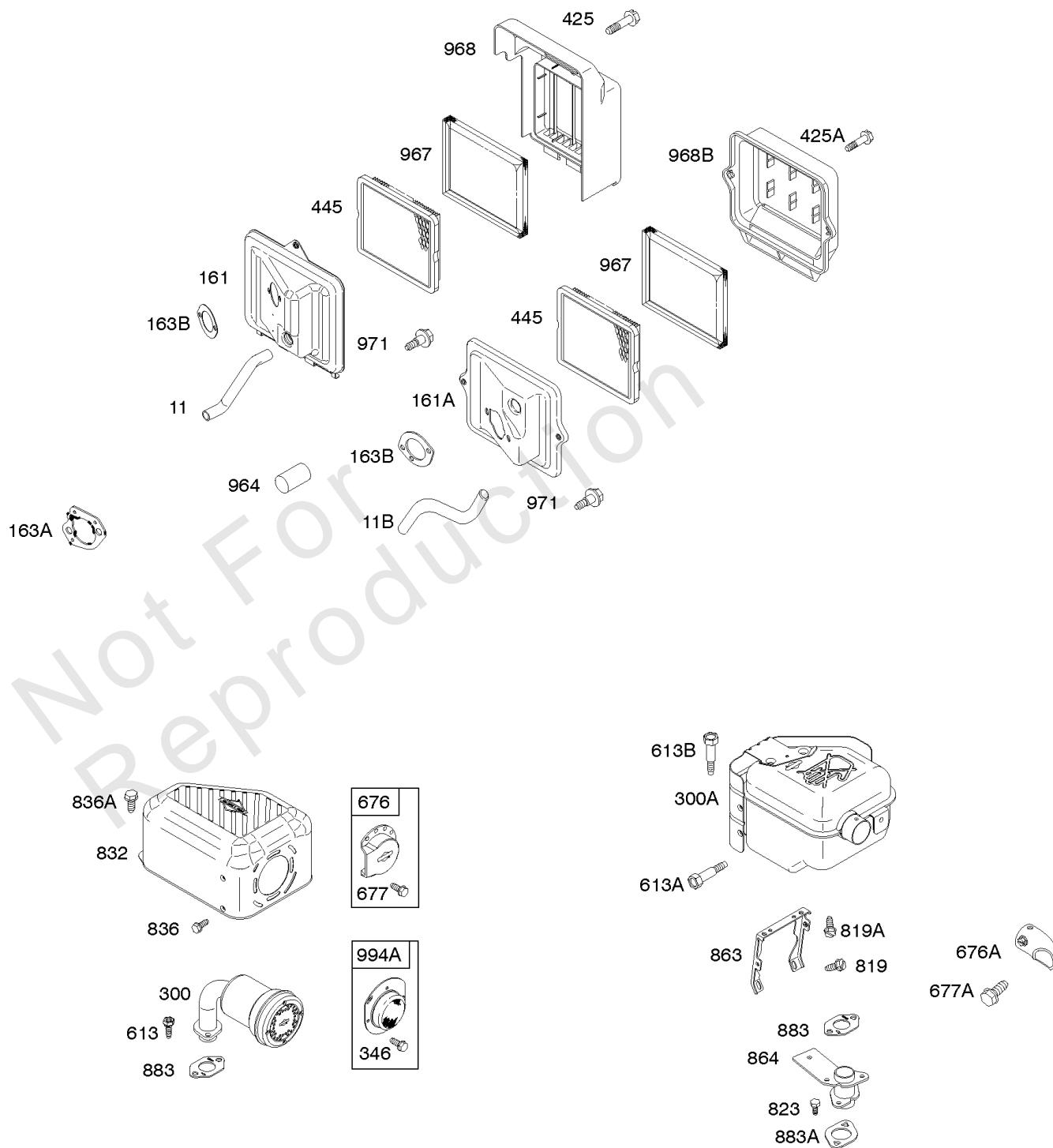
<b>Model Components</b>	<b>Page</b>
Air Cleaner, Exhaust System.....	4
Blower Housing, Electric Starter, Flywheel, Rewind Starter.....	8
Camshaft, Crankshaft, Cylinder, Piston Group.....	12
Carburetor, Fuel Supply.....	16
Controls, Governor Spring, Ignition.....	20
Crankcase Cover, Lubrication.....	24
Cylinder Head.....	26
Replacement Engine - US & Canada.....	30

Not For  
Reproduction



## Air Cleaner, Exhaust System

REF NO	PART NO	QTY	DESCRIPTION
11	692600		TUBE, Breather -(Flat Panel Air Cleaner)
11B	790632		TUBE, Breather -(Ultra Low Mount Air Cleaner)
161	699207		BASE-AIR CLEANER -(Flat Panel Air Cleaner)
161A	790631		BASE, Air Cleaner -(Ultra Low Mount Air Cleaner)
163A	792870		GASKET, Air Cleaner -(High Mount)
163B	696024		GASKET, Air Cleaner -(Flat Panel Air Cleaner)
300	693593		MUFFLER
300A	797433		MUFFLER
346	690661		SCREW -(Spark Arrestor) (SAE)
346	699203		SCREW -(Spark Arrestor) (Metric)
425	699208		SCREW -(Air Cleaner Cover)
425A	699492		SCREW -(Air Cleaner Cover)
445	595030		FILTER, A/C Cartridge
613	791972		SCREW -(Muffler)
613A	699481		SCREW -(Muffler)
613B	799081		SCREW -(Muffler)
676	796956		DEFLECTOR, Muffler
676A	697816		DEFLECTOR, Muffler
677	690661		SCREW -(Muffler Deflector) (SAE)
677	699203		SCREW -(Muffler Deflector) (Metric)
677A	699776		SCREW -(Muffler Deflector)
819	699233		SCREW -(Muffler Bracket)
819A	699481		SCREW -(Muffler Bracket)
823	791972		SCREW -(Muffler Adapter)
832	593953		GUARD-MUFFLER -(Lo Tone)
836	699203		SCREW -(Muffler Guard)
836A	594002		SCREW -(Muffler Guard)
863	699229		BRACKET, Muffler
864	699232		ADAPTER, Muffler
883	691893		GASKET-EXHAUST -(Between Adapter And Cylinder)
883A	692237		GASKET-EXHAUST
964	799159		CAP, Connector
967	493537S		FILTER, Air Cleaner Foam -(Flat Panel)
968	692584		COVER, Air Cleaner -(Flat Panel Air Cleaner)



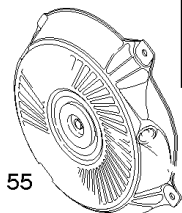
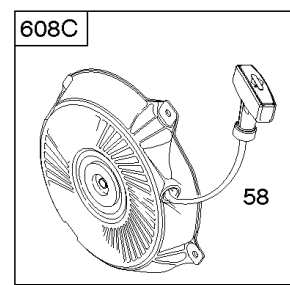
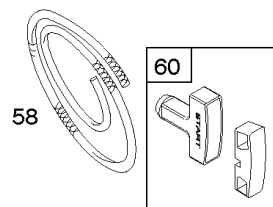
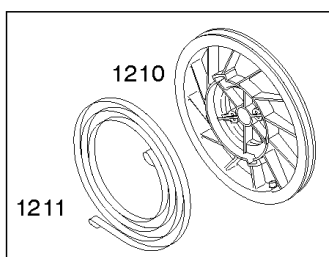
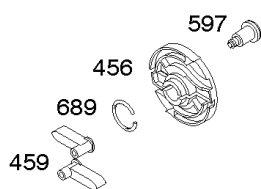
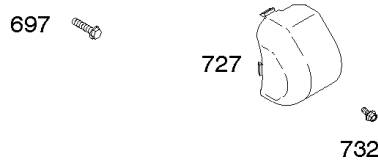
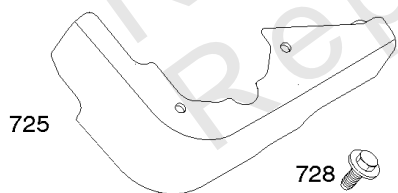
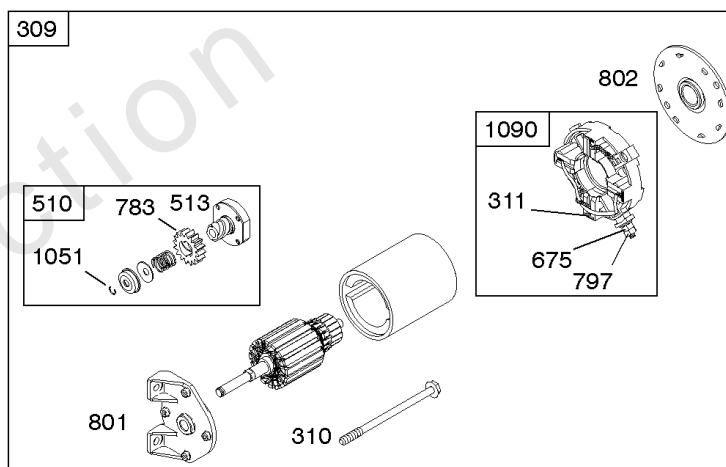
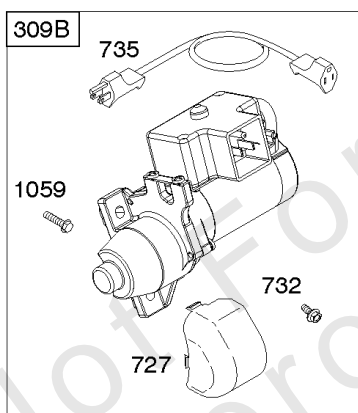
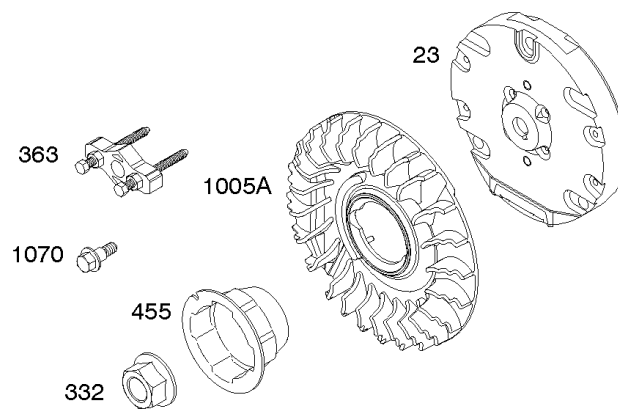
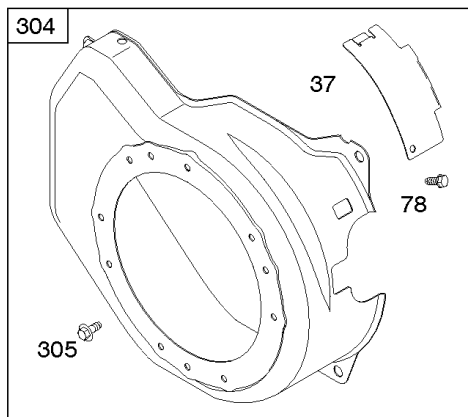
## ***Air Cleaner, Exhaust System***

<b>REF NO</b>	<b>PART NO</b>	<b>QTY</b>	<b>DESCRIPTION</b>
968B	791082		COVER, Air Cleaner -(Ultra Low Mount Air Cleaner)
971	690370		SCREW -(Air Cleaner Base to Carburetor/Throttle Body) (SAE)
971	798649		SCREW -(Air Cleaner Base to Carburetor/Throttle Body) (Metric)
994A	399541		ARRESTOR, Spark

Not For Reproduction

# Blower Housing, Electric Starter, Flywheel, Rewind Starter

Mfg. No: 15T212-0160-F8



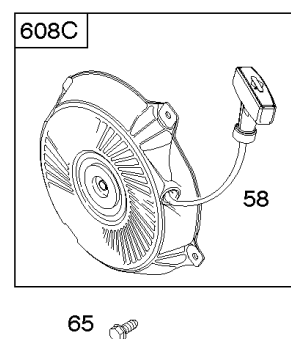
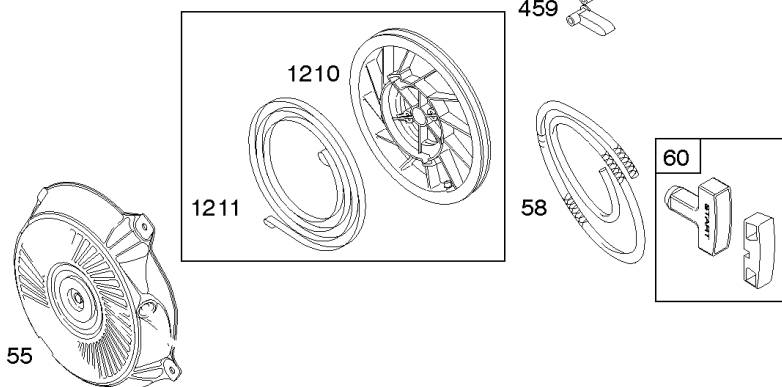
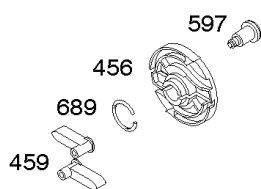
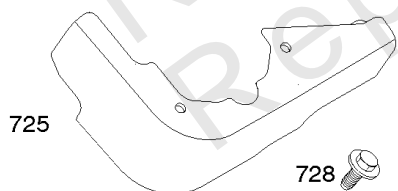
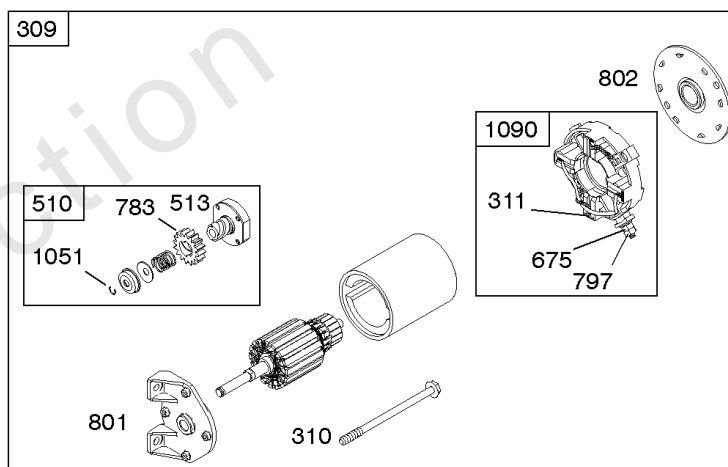
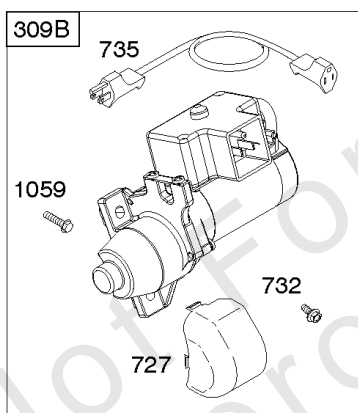
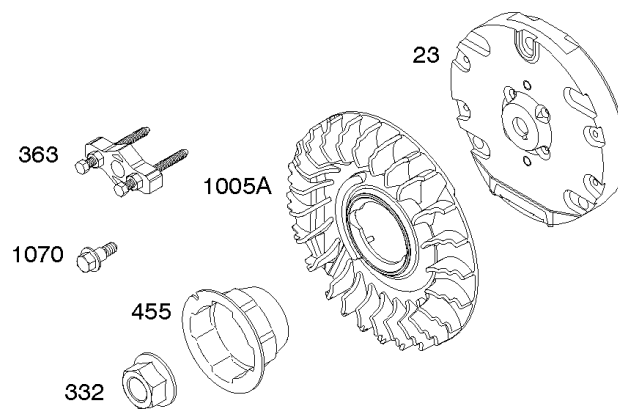
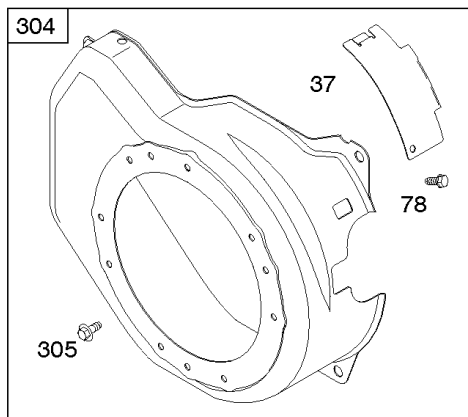


## Blower Housing, Electric Starter, Flywheel, Rewind Starter

REF NO	PART NO	QTY	DESCRIPTION
23	798821		FLYWHEEL
37	699661		GUARD, Flywheel
55	791848		HOUSING, Rewind Starter -Used After Code Date 08030200 -Used Before Code Date 12010100
55	691422		HOUSING, Rewind Starter -Used Before Code Date 08030300
55	-----		Housing-Rewind Starter -(Not Serviced Separate. Service With Rewind Assembly.) -Used After Code Date 11123100
58	693389		ROPE, Starter -(Cut To Required Length)
60	490652		GRIP-STARTER ROPE -(2 Piece)
65	699228		SCREW -(Rewind Starter)
78	699205		SCREW -(Flywheel Guard)
304	699598		HOUSING, Blower
305	699481		SCREW -(Blower Housing)
309	798790		MOTOR, Starter
310	690323		SCREW -(Starter Motor)
311	497608		SET, Brush
332	591988		NUT -(Flywheel)
363	19203		PULLER, Flywheel
455	591302		CUP-FLYWHEEL
456	-----		Plate-Pawl Friction -(Not Serviced Separate. Service With Rewind Assembly.) -Used After Code Date 11123100
456	692299		PLATE-PAWL FRICTION -Used Before Code Date 12010100
459	-----		Pawl-Ratchet -(Not Serviced Separate. Service With Rewind Assembly.) -Used After Code Date 11123100
459	281505S		PAWL-RATCHET -Used Before Code Date 12010100
510	499308		DRIVE-STARTER
513	692024		CLUTCH, Drive
597	-----		Screw -(Pawl Friction Plate) (Not Serviced Separate. Service With Rewind Assembly.) -Used After Code Date 11123100
597	691696		SCREW -(Pawl Friction Plate) -Used Before Code Date 12010100
608C	591301		STARTER, Rewind
675	691261		WASHER -(Brush Retainer)
689	-----		Spring-Friction -(Not Serviced Separate. Service With Rewind Assembly.) -Used After Code Date 11123100
689	691855		SPRING-FRICTION -Used Before Code Date 12010100
697	793567		KIT-SCREW/WASHER -(Starter Motor) (Drive Cap)
725	792874		SHIELD, Heat
727	698039		COVER-STARTER DRIVE

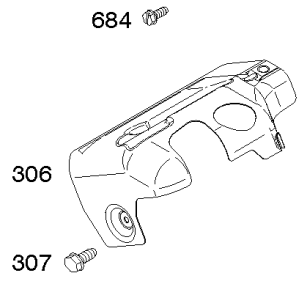
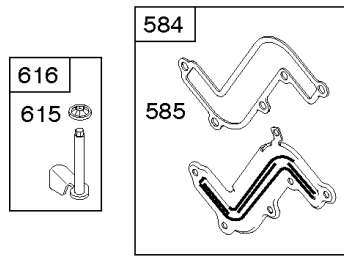
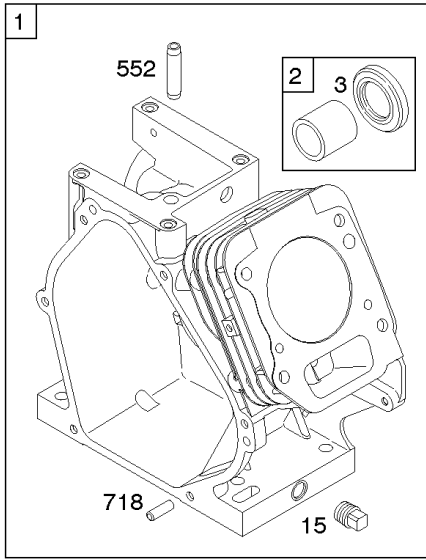
# Blower Housing, Electric Starter, Flywheel, Rewind Starter

Mfg. No: 15T212-0160-F8



## Blower Housing, Electric Starter, Flywheel, Rewind Starter

REF NO	PART NO	QTY	DESCRIPTION
728	699491		SCREW -(Heat Shield)
732	699200		SCREW -(Starter Drive Cover)
735	795901		CORD, Starter
783	692353		GEAR-PINION
797	691029		NUT -(Brush Retainer)
801	694482		CAP-DRIVE
802	691286		CAP, End
1005A	794273		FAN, Flywheel
1051	691265		RING, Retaining
1059	793567		KIT-SCREW/WASHER
1070	699201		SCREW -(Flywheel Fan)
1090	691293		RETAINER, Brush
1210	498144		PULLEY/SPRING ASSY -(Pulley) -Used Before Code Date 08030300
1210	791849		PULLEY/SPRING ASSEMBLY -(Pulley) -Used After Code Date 08030200 -Used Before Code Date 12010100
1210	-----		Pulley/Spring Assembly -(Pulley) (Not Serviced Separate. Service With Rewind Assembly.) -Used After Code Date 11123100
1211	791849		PULLEY/SPRING ASSEMBLY -(Spring) (Not Serviced Separate. Service With Rewind Assembly.) -Used After Code Date 11123100
1211	498144		PULLEY/SPRING ASSY -(Spring) -Used Before Code Date 08030300
1211	791849		PULLEY/SPRING ASSEMBLY -(Spring) -Used After Code Date 08030200 -Used Before Code Date 12010100



15A

1319 WARNING LABEL

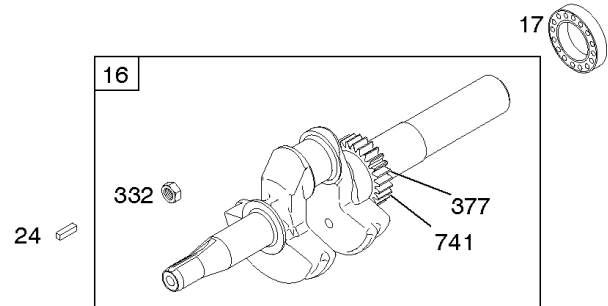
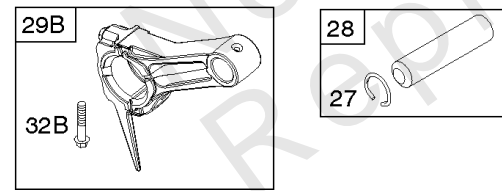
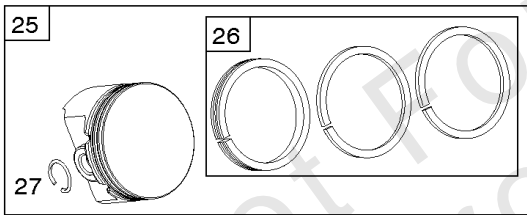
**REQUIRED** when replacing parts with warning labels affixed.

1319A WARNING LABEL

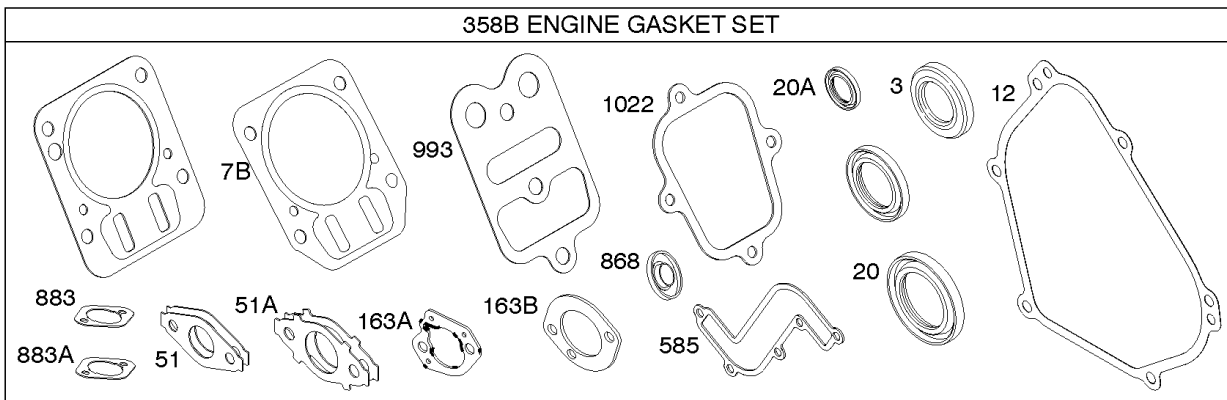
**REQUIRED** when replacing parts with warning labels affixed.

1330 REPAIR MANUAL

1036 EMISSIONS LABEL

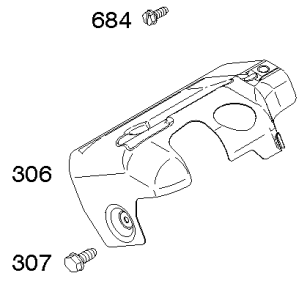
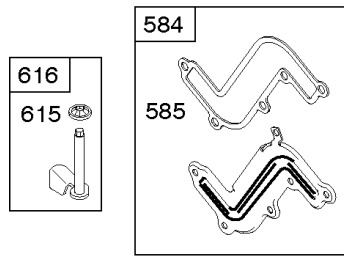
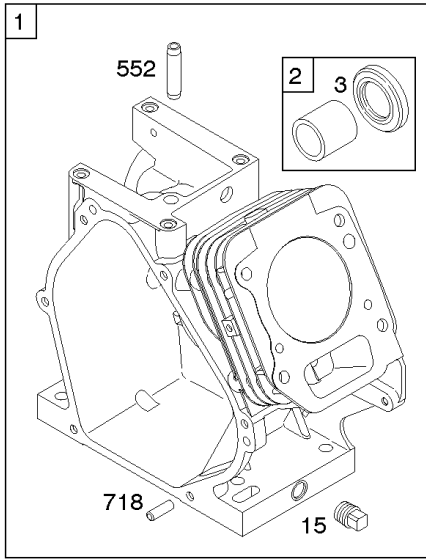


17



## Camshaft, Crankshaft, Cylinder, Piston Group

REF NO	PART NO	QTY	DESCRIPTION
1	794188		CYLINDER ASSEMBLY
2	796961		KIT, Bushing/Seal -(Magneto Side)
3	299819S		SEAL, Oil -(Magneto Side)
7B	791716		GASKET, Cylinder Head
12	699485		GASKET-CRANKCASE
15	691686		PLUG-OIL DRAIN -(Square Head)(1/4" Diameter)
15A	691682		PLUG-OIL DRAIN -(Hex Socket)(1/4 Diameter)
16	593497		CRANKSHAFT -Used After Code Date 15041900
16	797075		CRANKSHAFT -Used Before Code Date 15042000
17	798538		BEARING, Ball
20	692550		SEAL-OIL -(PTO Side)
20A	691952		SEAL, Oil -(PTO Side)
24	796335		KEY, Flywheel
25	791791		PISTON ASSEMBLY -(.020 Oversize)
25	791786		PISTON ASSEMBLY -(Standard)
26	791792		SET, Ring -(.020" Oversize)
26	791787		SET, Ring -(Standard)
27	690975		LOCK, Piston Pin
28	690229		PIN-PISTON/STD -(Standard)
29B	791783		ROD, Connecting
32B	791784		SCREW -(Connecting Rod)
46	693404		CAMSHAFT
46A	695285		CAMSHAFT
51	692555		GASKET, Intake -(2 Required)
51A	791718		GASKET, Intake
163A	792870		GASKET, Air Cleaner -(High Mount)
163B	696024		GASKET, Air Cleaner -(Flat Panel Air Cleaner)
306	594516		SHIELD, Cylinder -Used After Code Date 14091100
306	795334		SHIELD-CYLINDER -Used Before Code Date 14091200
307	794822		SCREW -(Cylinder Shield)
332	591988		NUT -(Flywheel)
358B	791797		GASKET SET, Engine
377	690979		KEY, Woodruff
552	692346		BUSHING, Governor Crank
584	791759		COVER, Breather Passage
585	791760		GASKET, Breather Passage



15A

1319 WARNING LABEL

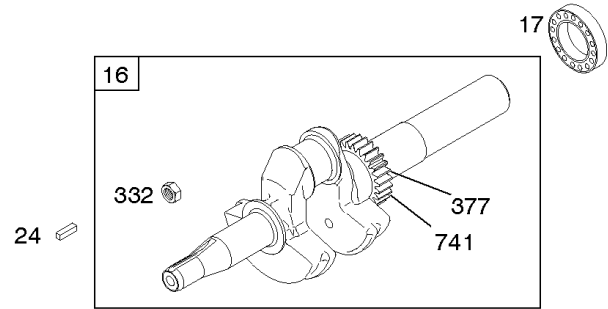
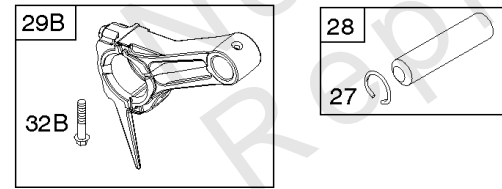
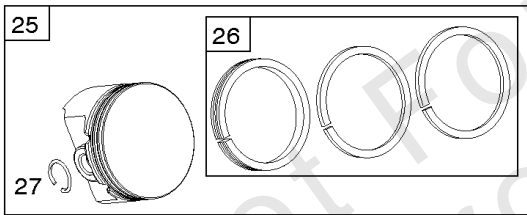
**REQUIRED** when replacing parts with warning labels affixed.

1319A WARNING LABEL

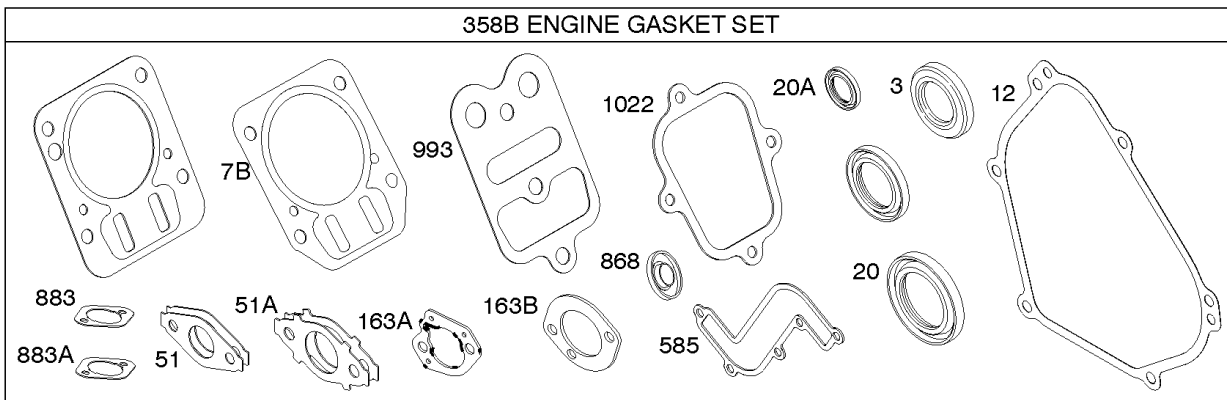
**REQUIRED** when replacing parts with warning labels affixed.

1330 REPAIR MANUAL

1036 EMISSIONS LABEL

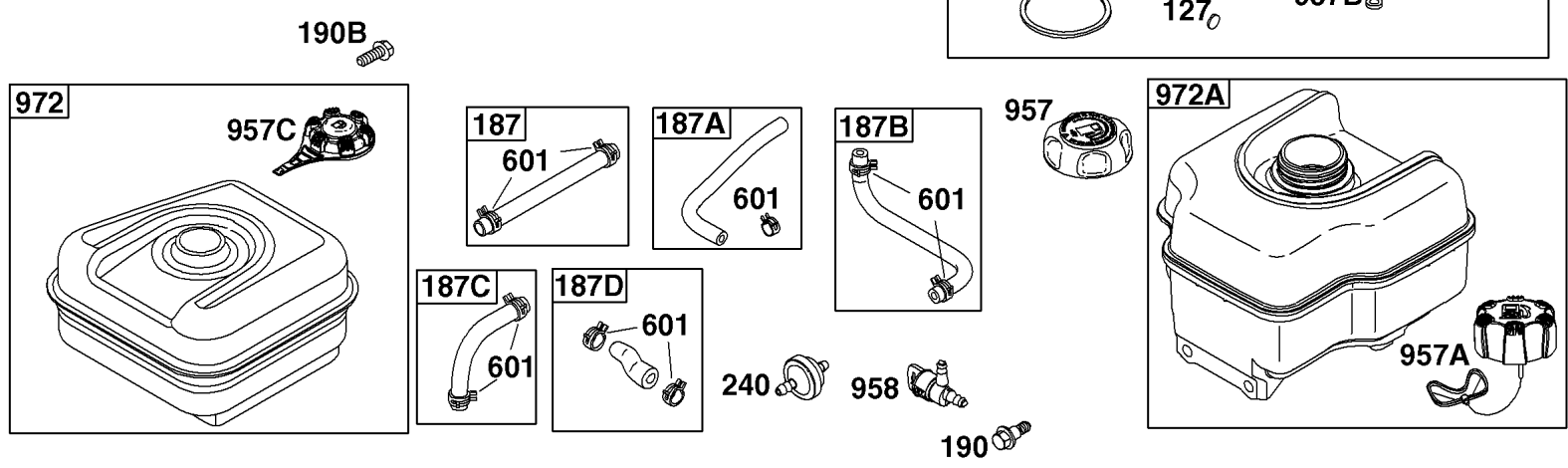
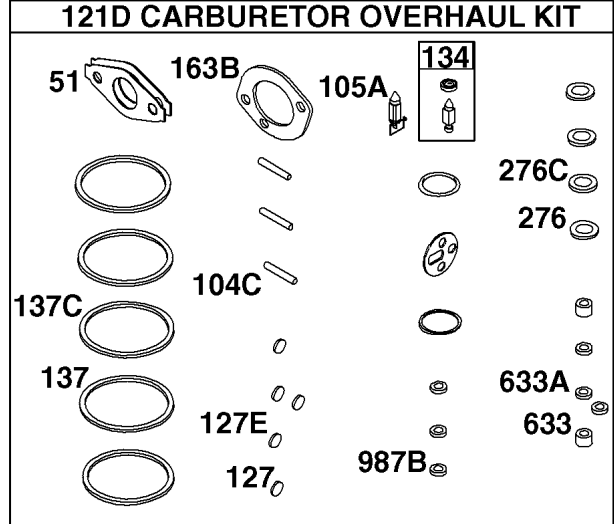
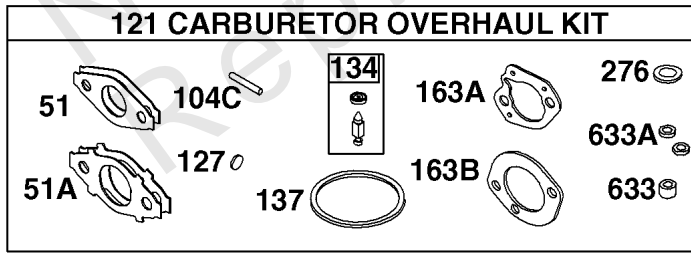
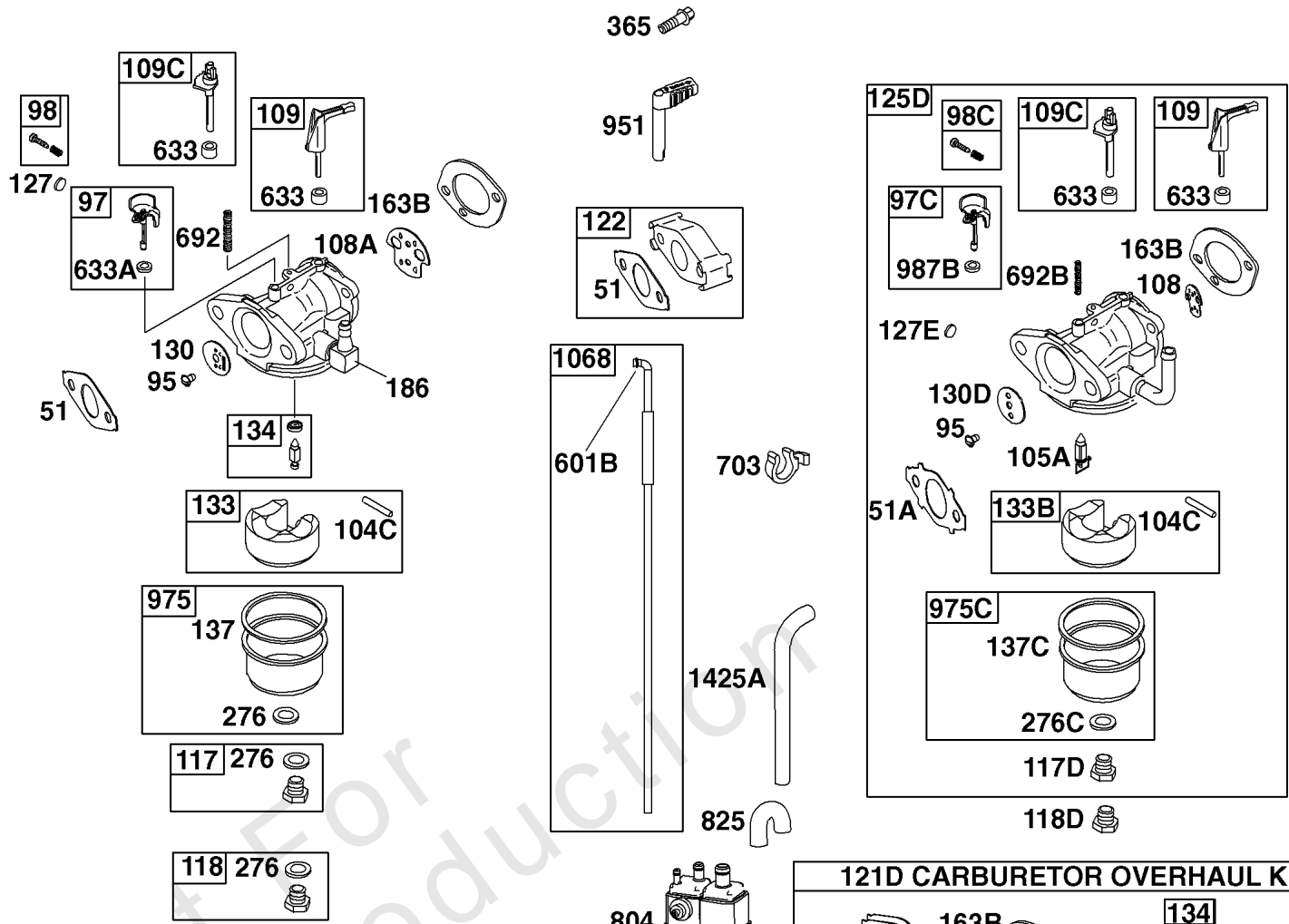


17



## Camshaft, Crankshaft, Cylinder, Piston Group

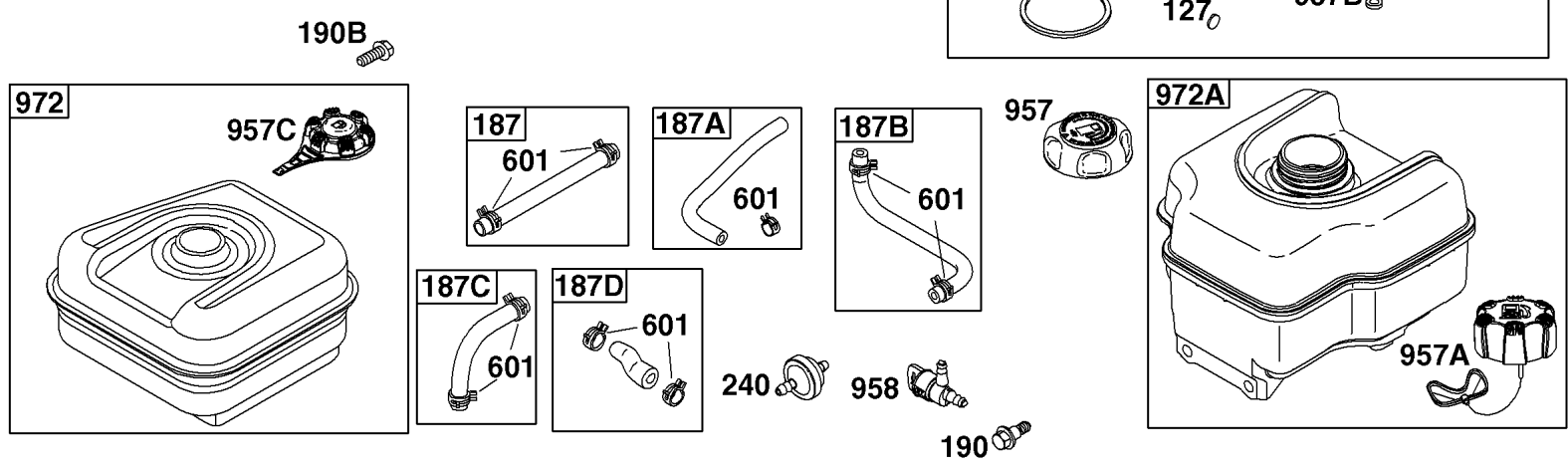
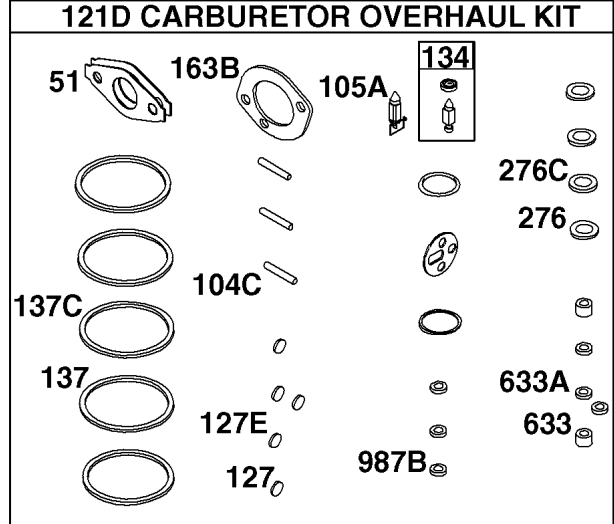
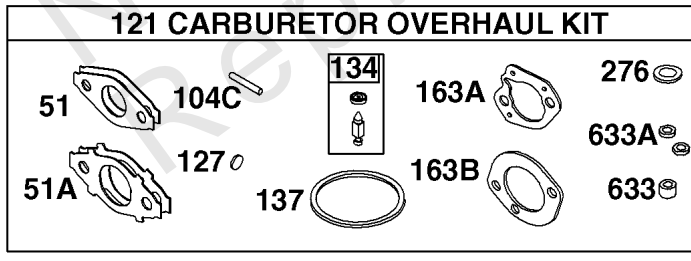
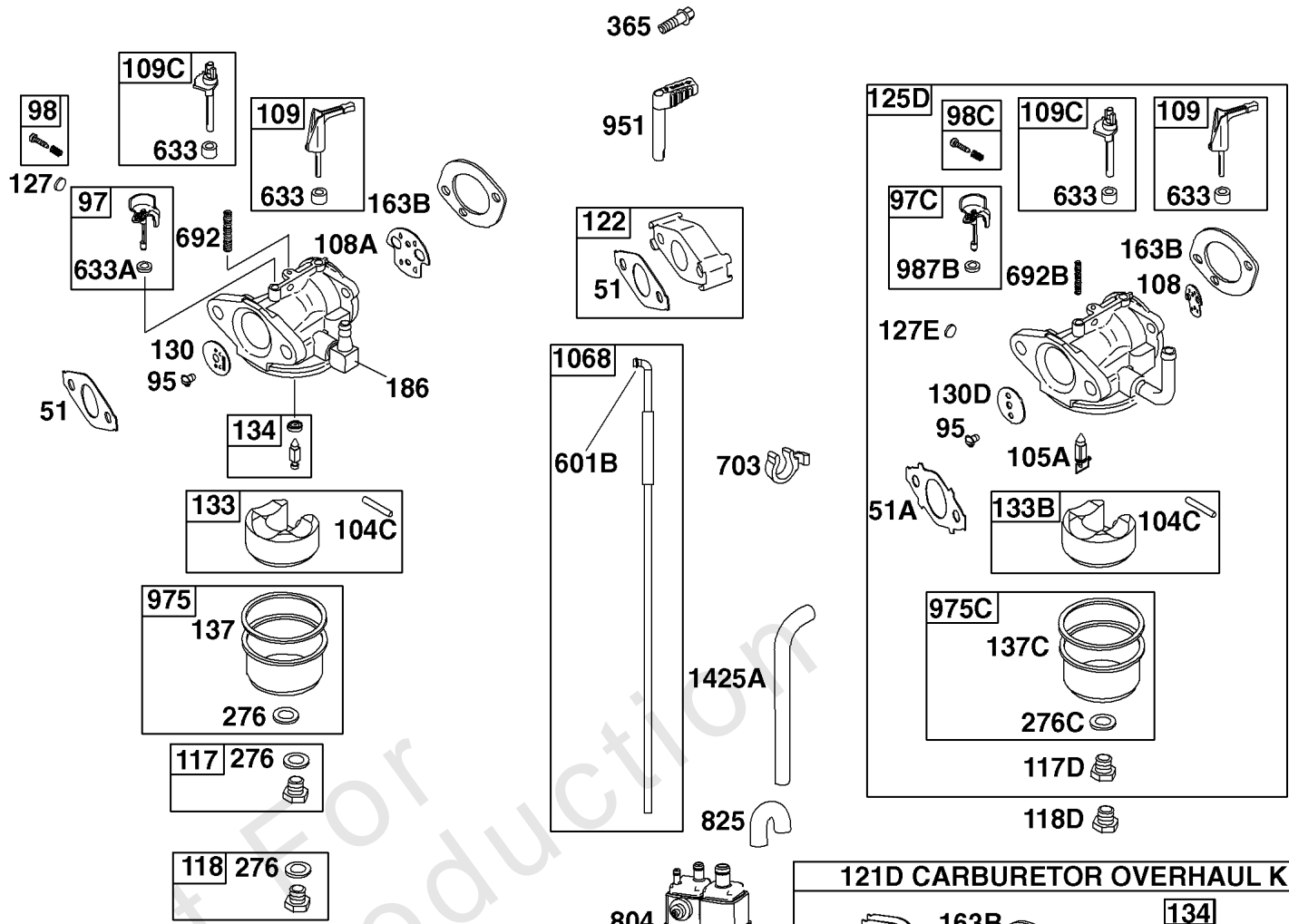
REF NO	PART NO	QTY	DESCRIPTION
615	692576		RETAINER, Governor Shaft
616	692547		CRANK, Governor
684	793369		SCREW -(Breather Passage Cover)
718	592860		PIN, Locating
741	593499		GEAR, Timing -(Plastic)
741	695087		GEAR-TIMING -(Metal)
868	795440		SEAL-VALVE
883	691893		GASKET-EXHAUST -(Between Adapter And Cylinder)
883A	692237		GASKET-EXHAUST
993	694088		GASKET-CYL HD PLATE
1022	691890		GASKET-ROCKER COVER
1036	-----		Label-Emissions -(Available From A Briggs & Stratton Authorized Dealer)
1319	794467		LABEL, Warning
1319A	797669		LABEL, Warning
1330	272147		MANUAL, Repair





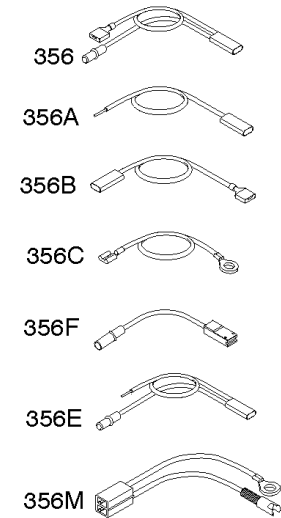
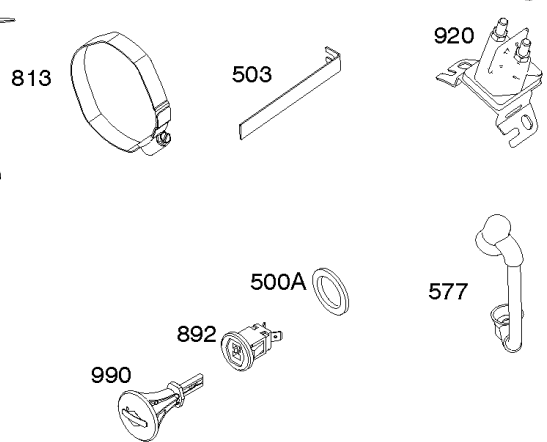
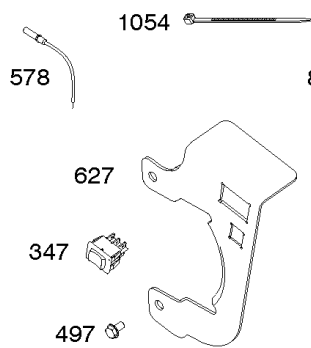
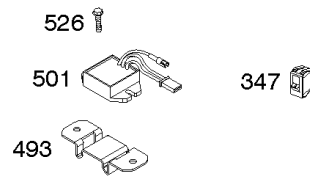
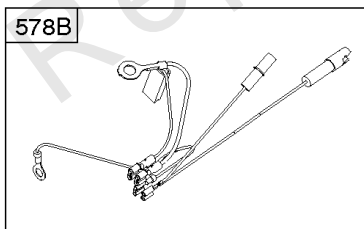
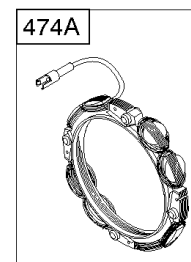
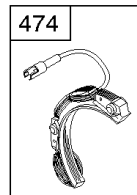
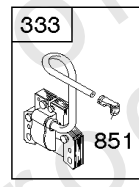
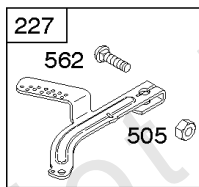
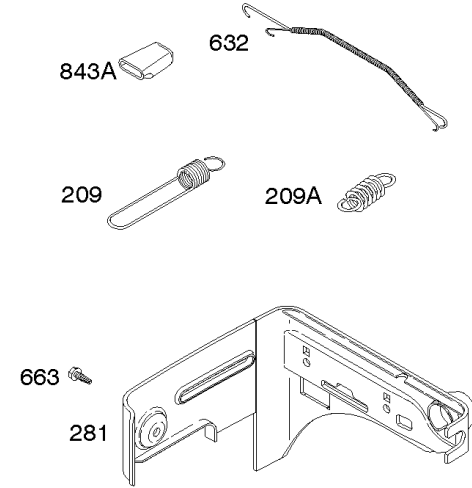
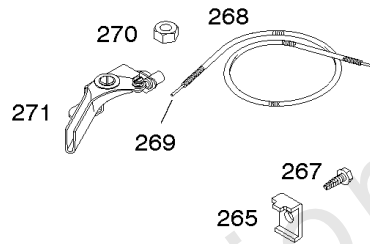
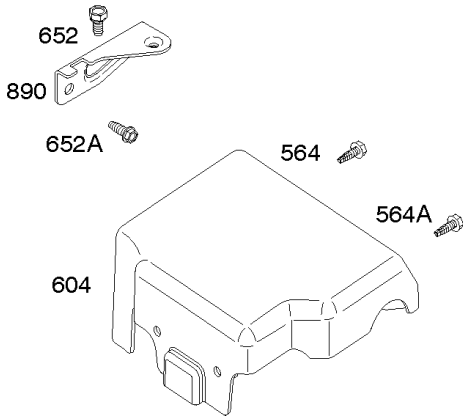
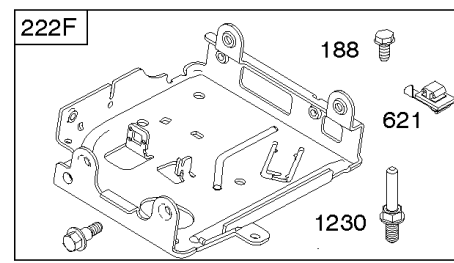
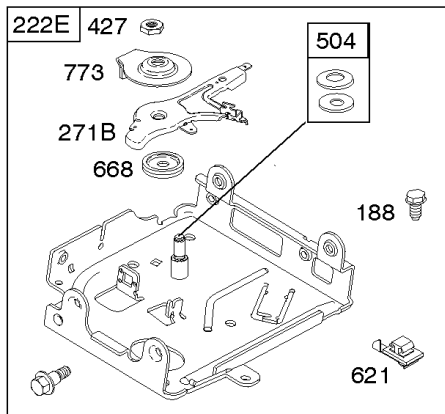
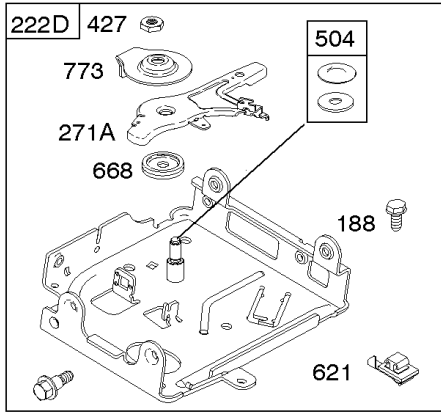
## Carburetor, Fuel Supply

REF NO	PART NO	QTY	DESCRIPTION
51	692555		GASKET, Intake -(2 Required)
51A	791718		GASKET, Intake
95	691636		SCREW -(Throttle Valve)
97	690024		SHAFT, Throttle
97C	797628		SHAFT, Throttle
98	398185		KIT-IDLE SPEED -(Carburetor)
98C	797156		KIT, Idle Speed
104C	797622		PIN-FLOAT HINGE
105A	797139		VALVE, Float Needle
108	692567		VALVE-CHOKE
108A	796993		VALVE, Choke
109	690023		SHAFT, Choke
109C	790624		SHAFT, Choke
117	690048		JET, Main -(Standard)
117D	798652		JET, Main -(Standard)
118	497315		JET, Main -(High Altitude)
118D	799178		JET, Main -(High Altitude)
121	792006		KIT, Carburetor Overhaul
121D	797634		KIT, Carburetor Overhaul
122	795643		SPACER, Carburetor -(Black)
125D	798654		CARBURETOR
127	691739		PLUG-WELCH
127E	797633		PLUG, Welch
130	691181		VALVE-THROTTLE
130D	797630		VALVE, Throttle
133	398187		FLOAT-CARBURETOR
133B	797136		FLOAT, Carburetor
134	398188		KIT-NEEDLE/SEAT
137	693981		GASKET-FLOAT BOWL
137C	797625		GASKET, Float Bowl
163A	792870		GASKET, Air Cleaner -(High Mount)
163B	696024		GASKET, Air Cleaner -(Flat Panel Air Cleaner)
186	692317		CONNECTOR-HOSE
187	791766		LINE, Fuel -(Cut To Required Length)
187A	791867		LINE, Fuel -(Molded)
187C	791866		LINE-FUEL -(Molded)
187B	791874		LINE, Fuel -(Molded)
187D	795046		LINE, Fuel -(Molded)
190	699220		SCREW -(Fuel Tank)
190B	795047		SCREW -(Fuel Tank)



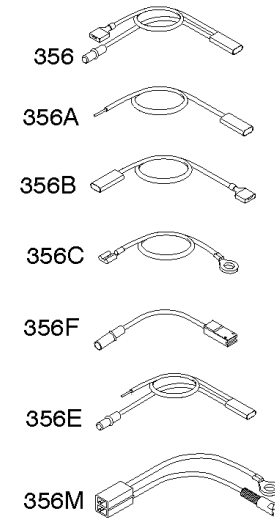
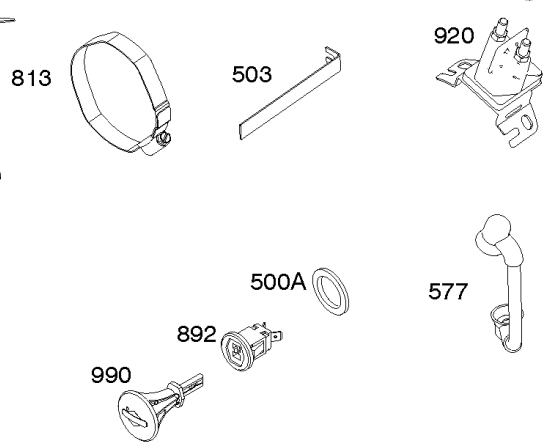
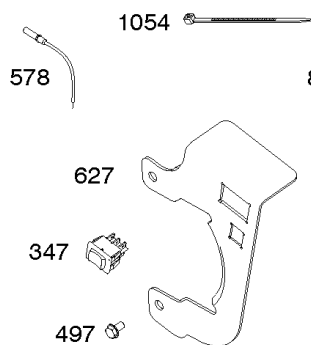
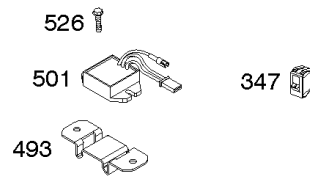
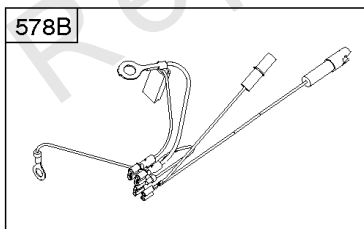
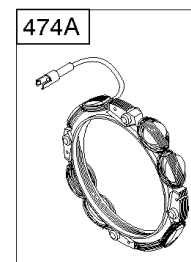
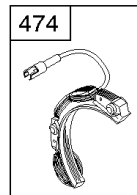
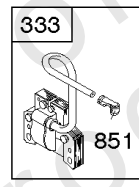
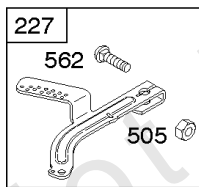
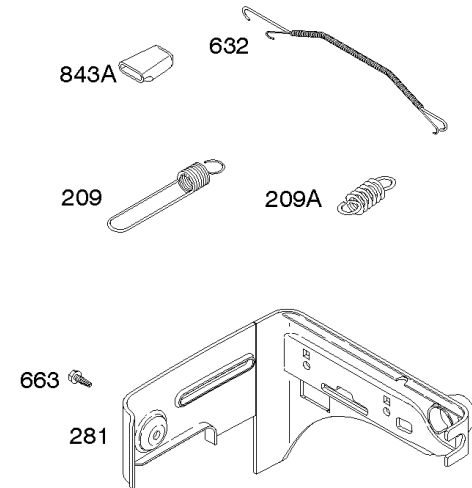
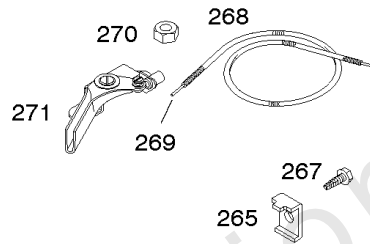
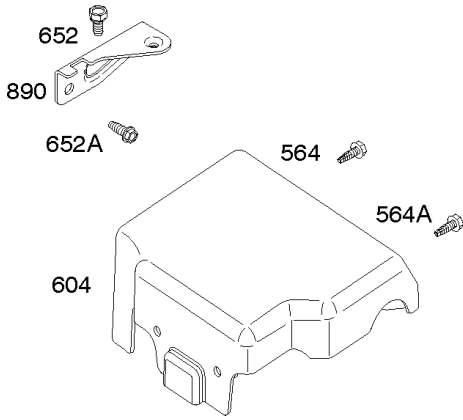
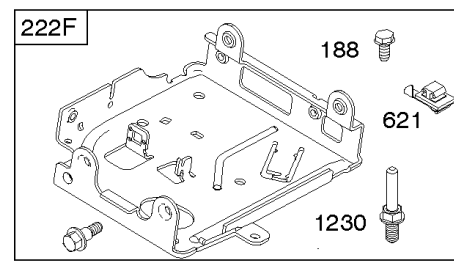
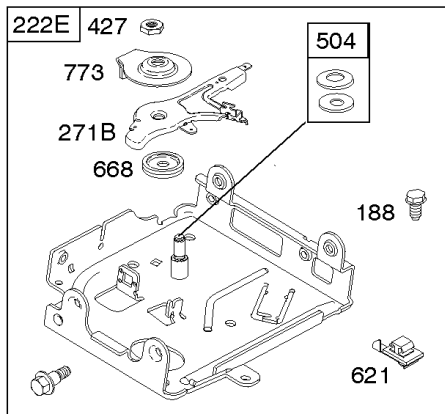
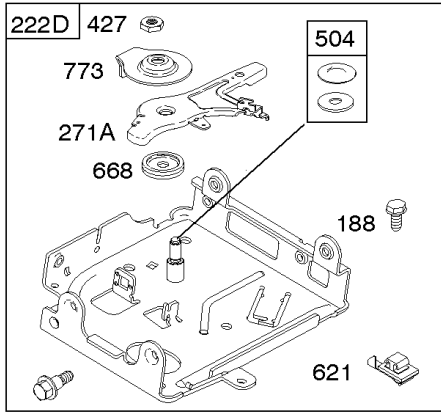
## Carburetor, Fuel Supply

REF NO	PART NO	QTY	DESCRIPTION
240	394358S		FILTER, Fuel
276	271716		WASHER-SEALING
276C	797632		WASHER, Sealing
365	699484		SCREW -(Carburetor)
601	791850		CLAMP, Hose
601B	795230		CLAMP, Hose
633	693867		SEAL, Choke/Throttle Shaft
633A	691321		SEAL-CHOKE/THR SHAFT -(Throttle Shaft)
692	590931		SPRING, Detent -(Carburetor)
692B	797624		SPRING, Detent -(Carburetor)
703	795222		CLIP
804	795223		CANISTER, Carbon -(EVAP)
825	795226		HOSE, Air
951	790630		LEVER, Choke
957	792647		CAP, Fuel Tank
957A	799719		CAP, Fuel Tank
957C	795221		CAP, Fuel Tank
958	698180		VALVE-FUEL SHUT OFF
972	795705		TANK, Fuel
972A	799863		TANK, Fuel
975	796611		BOWL, Float
975C	797631		BOWL, Float
987B	797629		SEAL, Choke/Throttle Shaft
1068	795229		HOSE/CLAMP ASSEMBLY
1425A	795227		HOSE, Purge Line



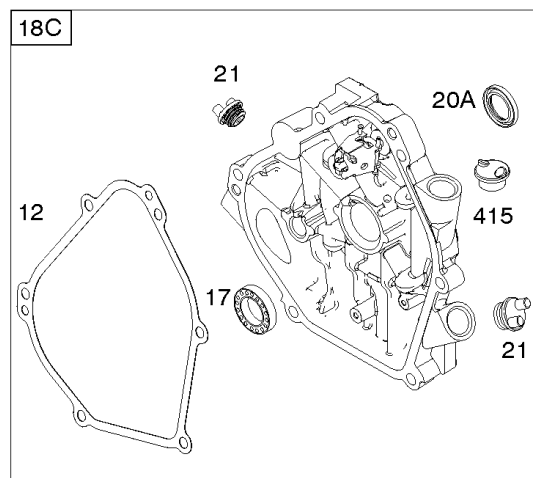
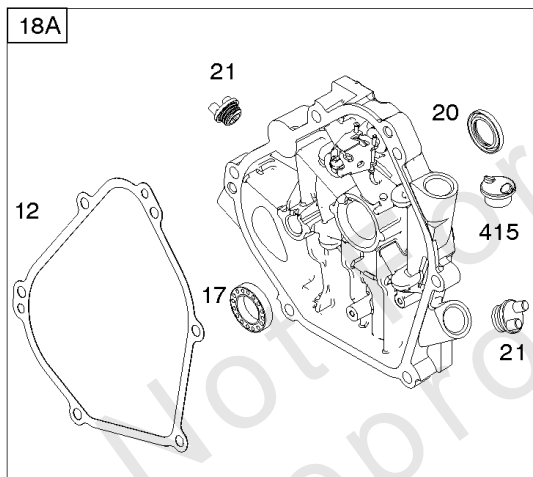
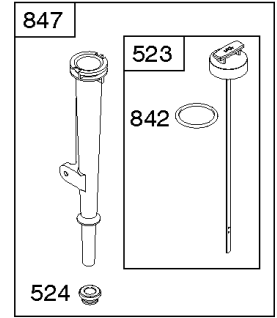
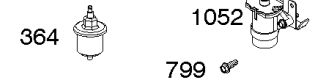
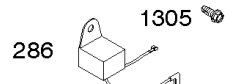
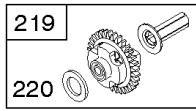
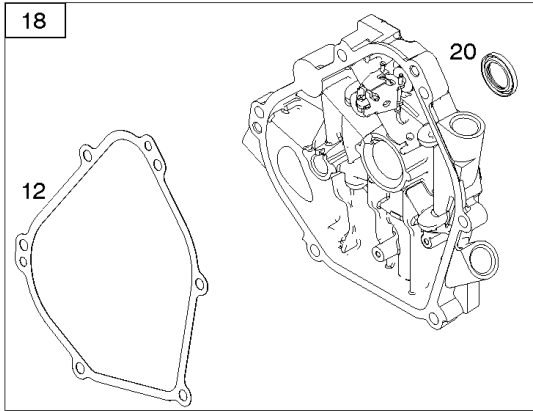
## Controls, Governor Spring, Ignition

REF NO	PART NO	QTY	DESCRIPTION
188	699479		SCREW -(Control Bracket)
209	693206		SPRING, Governor -(Yellow)
222D	793107		BRACKET, Control
222E	793108		BRACKET, Control
227	794367		LEVER-GOVERNOR CONTRO
265	691024		CLAMP, Casing
267	699492		SCREW -(Casing Clamp)
268	691025		CASING, Control Wire -(Cut To Required Length)
269	691026		WIRE, Control -(Cut To Required Length)
270	691027		NUT -(Control Wire Casing)
271	691028		LEVER, Control
271A	694256		LEVER, Control
271B	695743		LEVER, Control
281	793122		PANEL, Control
333	591101		ARMATURE, Magneto
334	699477		SCREW -(Magneto Armature)
347	795333		SWITCH, Rocker
356	693651		WIRE, Stop
356A	692390		WIRE, Stop
356E	695814		WIRE, Stop
356M	792609		WIRE, Stop
356F	697397		WIRE, Stop
356B	692602		WIRE-STOP
356C	695630		WIRE, Stop
427	694255		NUT -(Control Bracket) (SAE)
427	798458		NUT -(Control Bracket) (Metric)
474	695730		ALTERNATOR -(3 Amp. DC)
474A	793640		ALTERNATOR -(1.5 Amps DC)
493	691177		BRACKET, Mounting
497	691693		SCREW -(Stopswitch Bracket)
500A	792613		WASHER -(Key Switch)
501	794360		REGULATOR
503	691532		STRAP, Starter
504	695383		SET, Friction Washer
505	691251		NUT -(Governor Control Lever)
526	690326		SCREW -(Regulator)
562	691119		BOLT -(Governor Control Lever)
564	699491		SCREW -(Control Cover)
564A	699206		SCREW -(Control Cover)



## Controls, Governor Spring, Ignition

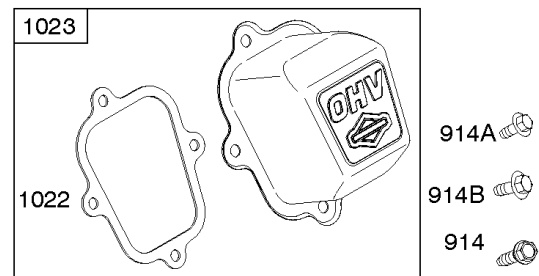
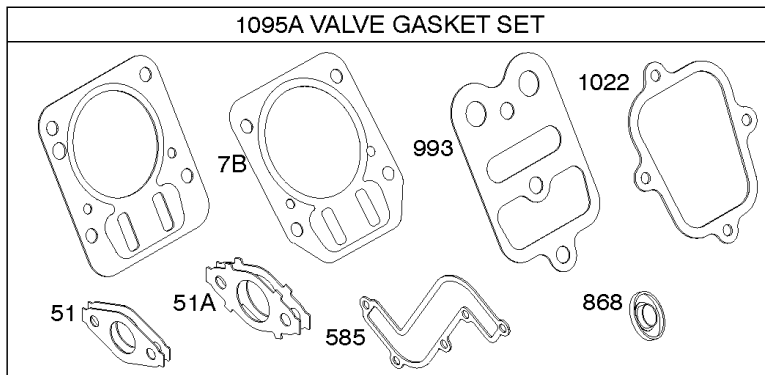
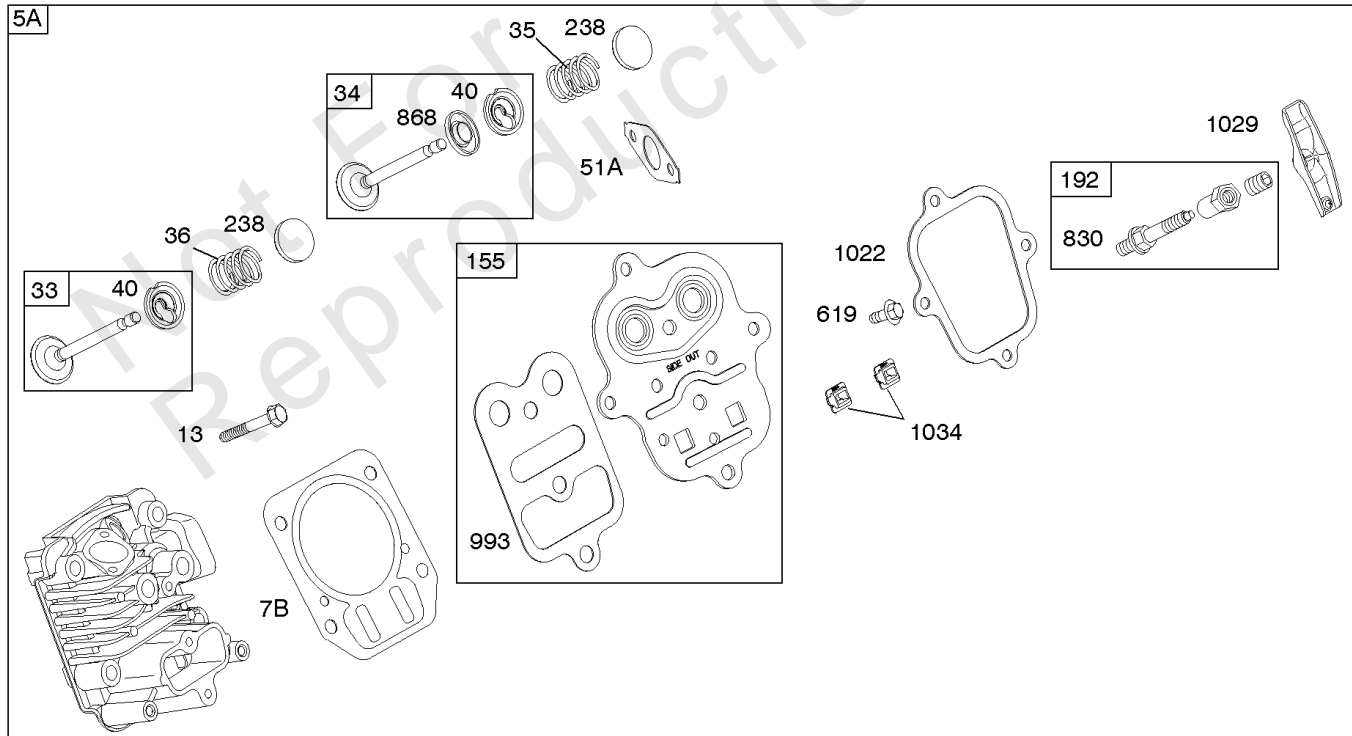
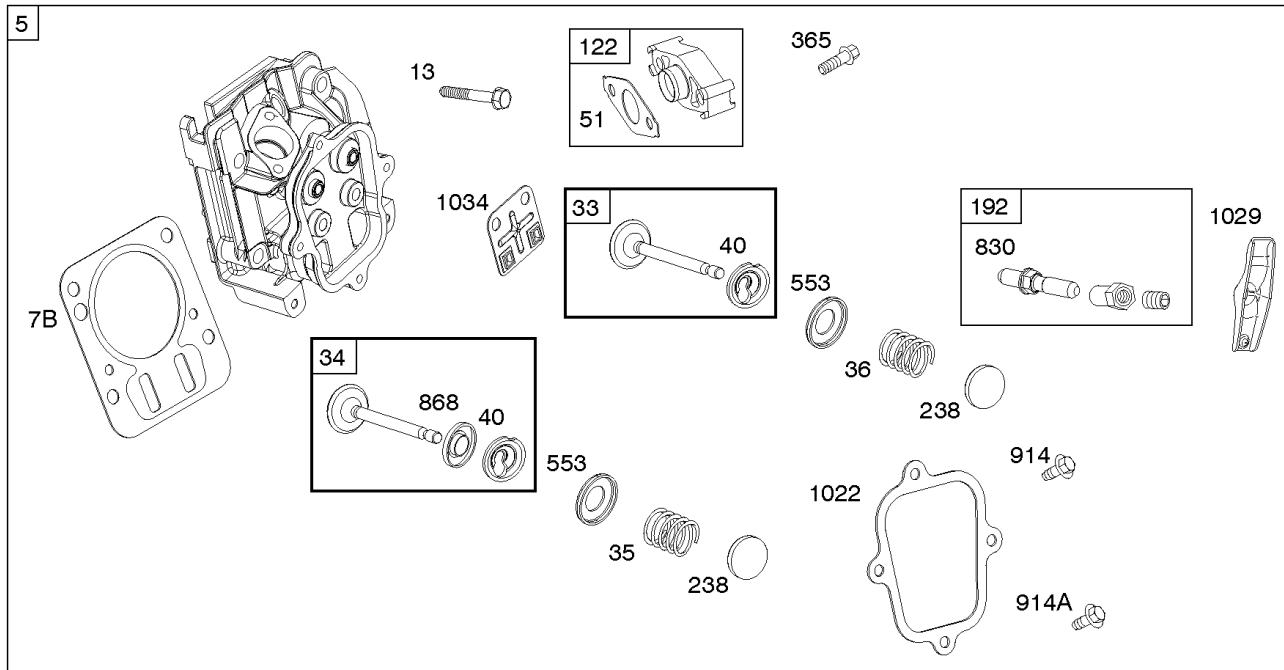
REF NO	PART NO	QTY	DESCRIPTION
577	690795		CABLE, Starter
578	692306		WIRE ASSEMBLY
578B	790948		WIRE ASSEMBLY
579	691029		NUT -(Starter Cable)
604	697326		COVER-CONTROL
621	692310		SWITCH, Stop
627	792608		BRACKET, Stopswitch
632	693408		SPRING/LINK, Mechanical Governor
652	699755		SCREW -(Support Bracket)
652A	699230		SCREW -(Support Bracket)
663	699206		SCREW -(Control Panel)
668	694257		SPACER
773	694258		RETAINER -(Control Bracket)
813	690635		CLAMP
843A	695588		SLEEVE, Lever
851	493880S		TERMINAL-SPARK PLUG
890	790203		BRACKET, Support
892	791944		SWITCH, Key
920	846820		SOLENOID, Starter
990	794696		KEY SET
1054	280275		TIE, Cable
1119	699772		SCREW -(Alternator)
1230	699847		STUD -(Control Bracket)





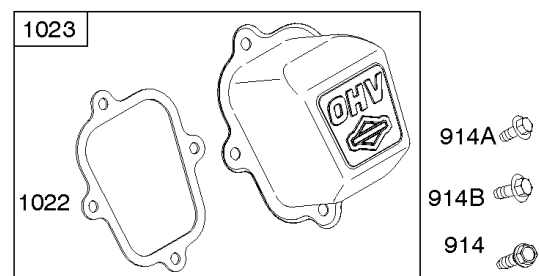
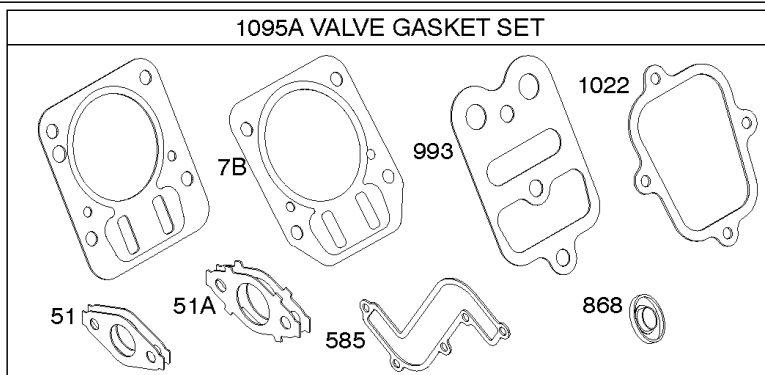
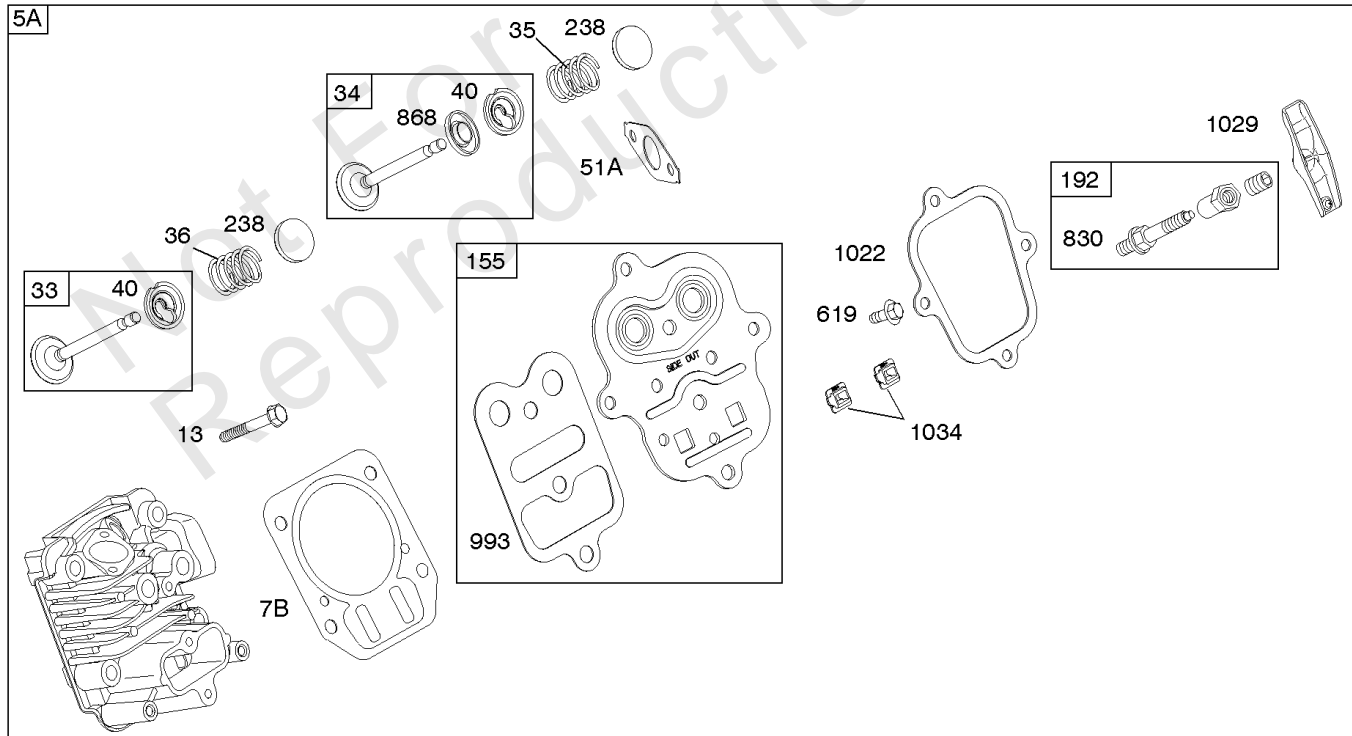
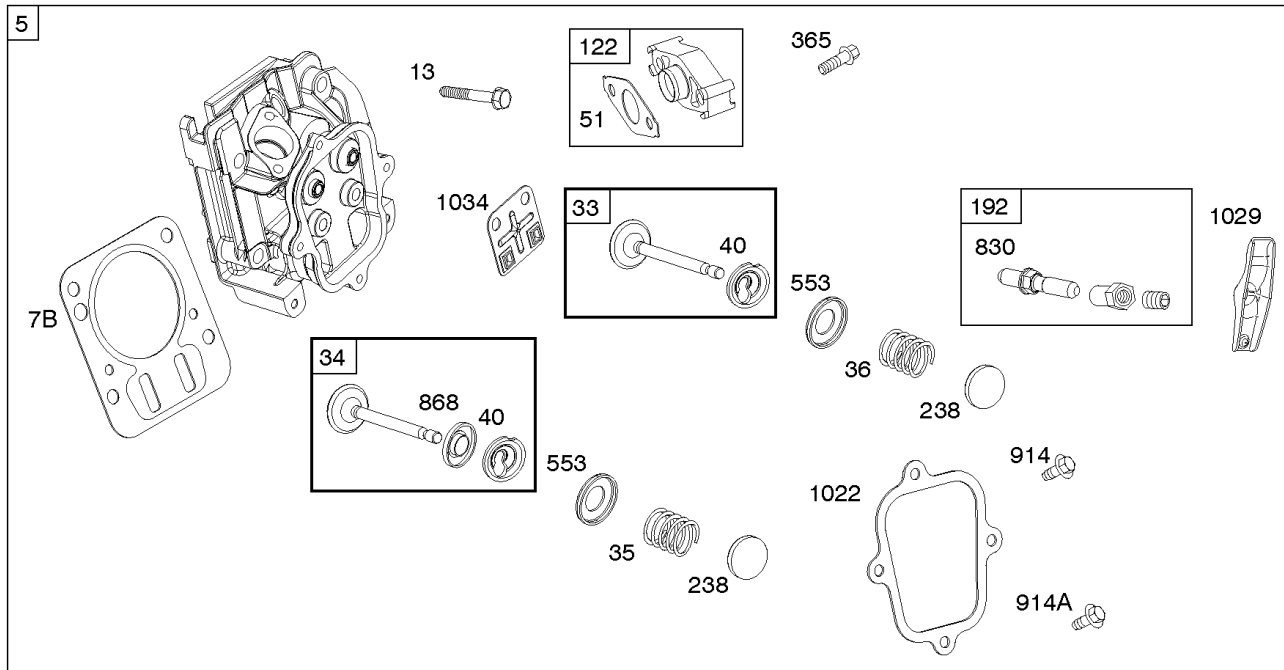
## Crankcase Cover, Lubrication

REF NO	PART NO	QTY	DESCRIPTION
12	699485		GASKET-CRANKCASE
17	798538		BEARING, Ball
18	699804		COVER, Crankcase
20	692550		SEAL-OIL -(PTO Side)
20A	691952		SEAL, Oil -(PTO Side)
21	281658S		CAP-OIL FILL
22	594519		SCREW -(Crankcase Cover/Sump)
219	693578		GEAR, Governor
220	691724		WASHER -(Governor Gear)
286	794185		MODULE, Oil Sensor
287	699234		SCREW -(Dipstick Tube)
364	695693		TERMINAL, Oil Plug
415	693463		PLUG -(Crankcase Cover/Sump)
522	798503		PLUG, Dipstick/Fill
523	798469		DIPSTICK
524	281370S		SEAL-DIPSTICK TUBE -(Dipstick Tube)
742	692564		RETAINER, E Ring -(Idler Gear)
746	790278		GEAR-IDLER
799	699202		SCREW -(Oil Sensor)
842	795015		SEAL, O-Ring -(Dipstick Tube)
847	798468		DIPSTICK/TUBE ASSEMBLY
1052	790141		SENSOR, Oil
1305	699691		SCREW -(Oil Sensor Module)



## Cylinder Head

REF NO	PART NO	QTY	DESCRIPTION
5	594701		HEAD, Cylinder -Used After Code Date 14090300
5A	791720		HEAD, Cylinder -Used Before Code Date 14090400
7B	791716		GASKET, Cylinder Head
13	594518		SCREW -(Cylinder Head) -Used Before Code Date 14090100
13	594518		SCREW -(Cylinder Head) -Used After Code Date 14083100
33	499642		VALVE, Exhaust
34	795443		VALVE, Intake
35	691304		SPRING, Valve -(Intake)
36	691304		SPRING, Valve -(Exhaust)
40	692194		RETAINER, Valve
45	690977		TAPPET, Valve
51	692555		GASKET, Intake -(2 Required)
51A	791718		GASKET, Intake
122	795643		SPACER, Carburetor -(Black)
155	797442		PLATE, Cylinder Head -(Metric) -Used After Code Date 09061700
155	698214		PLATE, Cylinder Head -(SAE) -Used Before Code Date 09061800
192	594382		ADJUSTER, Rocker Arm -Used After Code Date 14083100
192	694543		ADJUSTER-ROCKER ARM -(SAE) -Used Before Code Date 09061800
192	797440		ADJUSTER, Rocker Arm -(Metric) -Used After Code Date 09061700 -Used Before Code Date 14090100
238	691300		CAP, Valve
337	691043		PLUG, Spark -(EMS)
365	699484		SCREW -(Carburetor)
383	19576S		WRENCH, Spark Plug
553	594515		RETAINER, Valve
585	791760		GASKET, Breather Passage
619	699481		SCREW -(Cylinder Head Plate)
635	692076		BOOT, Spark Plug
635A	798619		BOOT-SPARK PLUG
830	797441		STUD, Rocker Arm -(Rocker Arm) (Metric) -Used After Code Date 09061700 -Used Before Code Date 14090400
830	694544		STUD-ROCKER ARM -(Rocker Arm) (SAE) -Used Before Code Date 09061800
830	594230		STUD, Rocker Arm -(Rocker Arm) -Used After Code Date 14090300



## Cylinder Head

REF NO	PART NO	QTY	DESCRIPTION
868	795440		SEAL-VALVE
914	699481		SCREW -(Rocker Cover) (Bottom)
914A	594517		SCREW -(Rocker Cover) (Quantity 1 Top Or Center) -Used After Code Date 14083100
914A	692557		SCREW -(Rocker Cover) (Top) -Used Before Code Date 09061800
914A	797444		SCREW -(Rocker Cover) (Quantity 1 Top Or Center) -Used After Code Date 09061700 -Used Before Code Date 14090100
914B	691108		SCREW -(Rocker Cover) (Center) -Used Before Code Date 09061800
993	694088		GASKET-CYL HD PLATE
1022	691890		GASKET-ROCKER COVER
1023	499924		COVER, Rocker
1026	790287		ROD, Push
1029	691230		ARM, Rocker -(SAE) -Used Before Code Date 09061800
1029	797443		ARM, Rocker -(Metric) -Used After Code Date 09061700
1034	594229		GUIDE, Push Rod -Used After Code Date 14090300
1034	691343		GUIDE, Push Rod -Used Before Code Date 14090400
1095A	791798		GASKET SET, Valve

## Replacement Engine - US & Canada

REF NO	PART NO	QTY	DESCRIPTION
	19L2320036F1		ENGINE
	795436	1	Replacement Short Block
	-----		Top No-Load Speed: 3800 -Trim: ALL
	-----		Service Note: For all Go-Karts use only a Model 136200 series engine as a replacement, regardless of the original Model.

Not For Reproduction

