



# Parts Manual

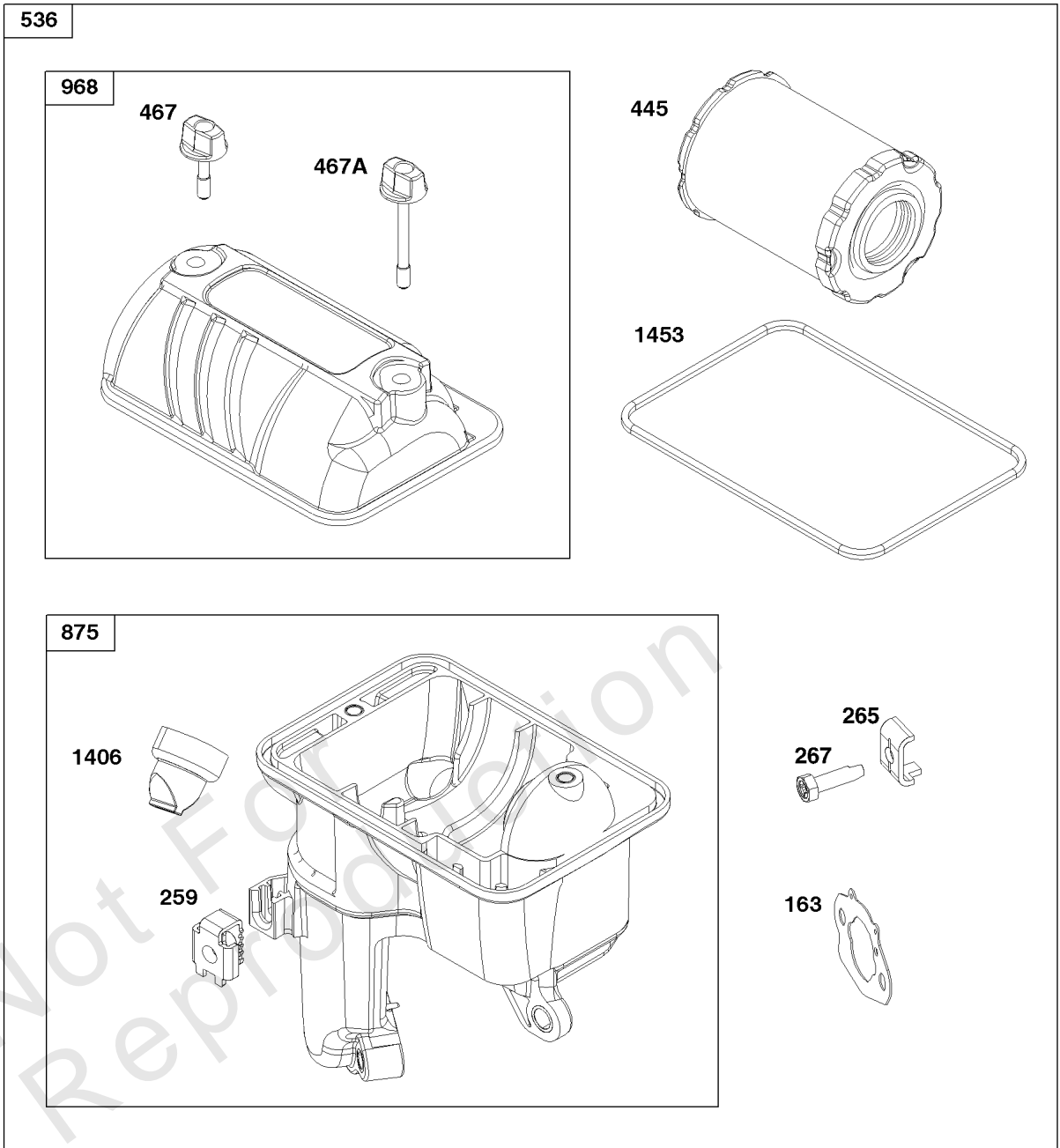
Mfg. No: 12V332-0138-F1



---

<b>Model Components</b>	<b>Page</b>
Air Cleaner Group.....	4
Blower Housing Group.....	6
Carburetor Group.....	8
Controls Group.....	10
Crankcase Cover/Sump Group.....	12
Crankshaft Group.....	14
Cylinder Group.....	16
Cylinder Head Group.....	18
Exhaust Group.....	22
Flywheel, Ignition, and Starter Group.....	24
Fuel Supply Group.....	26
Lubrication Group.....	28
Replacement Engine - US & Canada.....	30

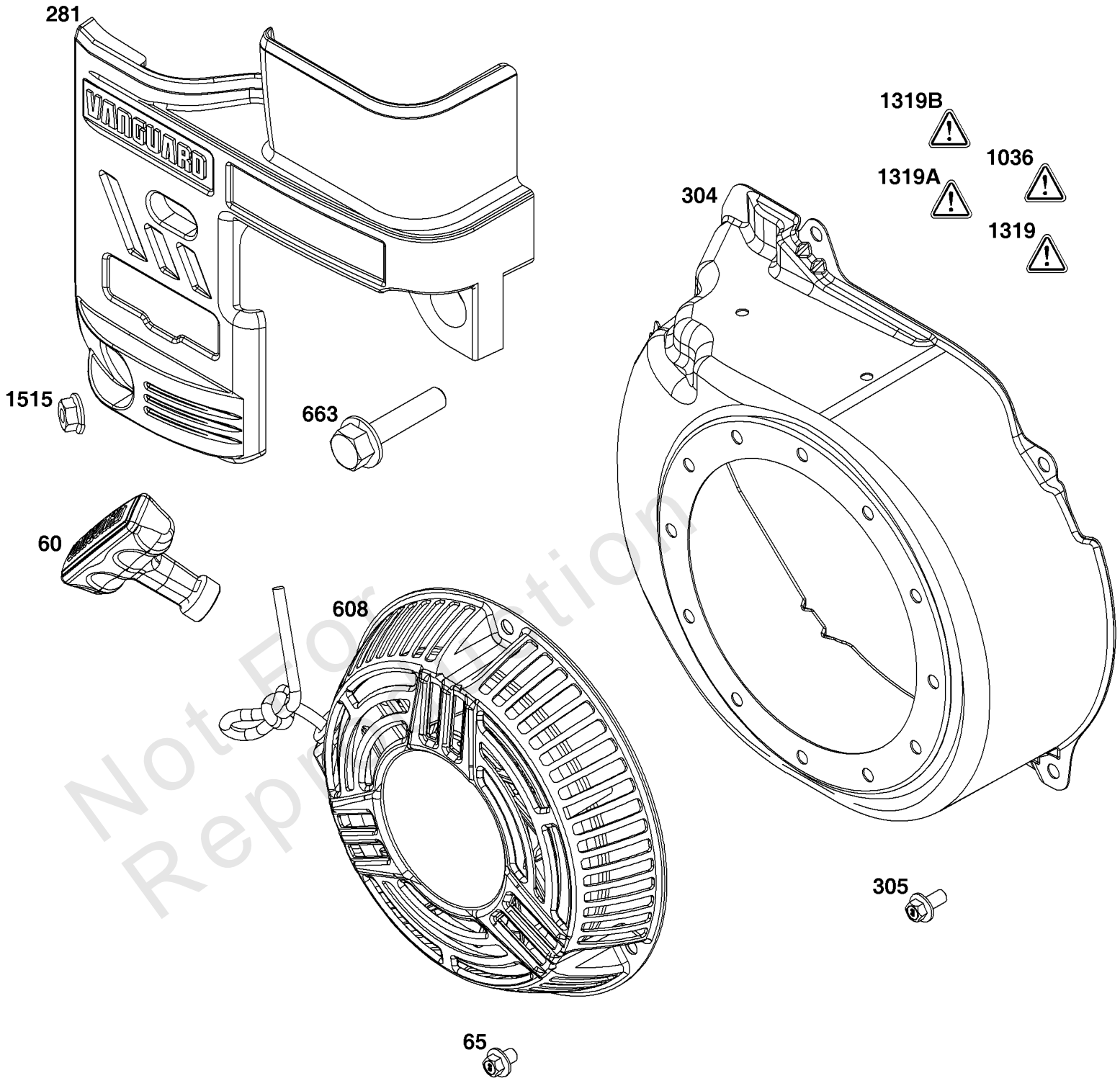
Not For  
Reproduction



## *Air Cleaner Group*

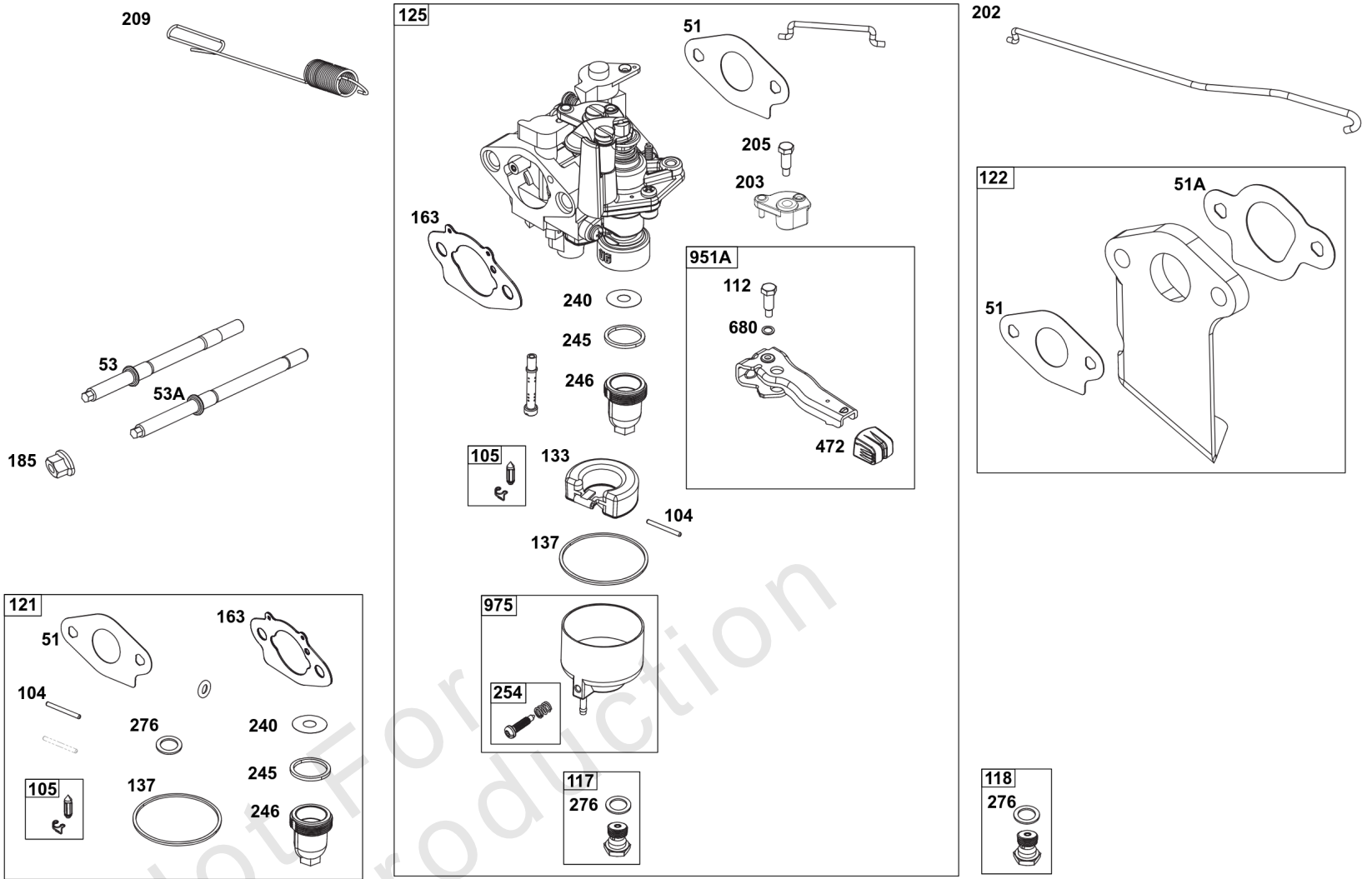
REF NO	PART NO	QTY	DESCRIPTION
11	597013	1	TUBE, Breather
163	596768	1	GASKET, Air Cleaner
185	590692	1	NUT -(Air Cleaner Base)
259	691189	1	BRACKET, Casing Clamp
265	691024	1	CLAMP, Casing
267	597027	1	SCREW -(Casing Clamp)
445	596760	1	FILTER, A/C Cartridge
467	596759	1	KNOB, Air Cleaner Cover
467A	596758	1	KNOB, Air Cleaner Cover
536	597060	1	CLEANER, Air
875	597061	1	BASE, Air Cleaner
968	597062	1	COVER, Air Cleaner
1406	597065	1	VALVE, Debris
1453	596756	1	SEAL, Air Cleaner Cover

Not For Reproduction



## Blower Housing Group

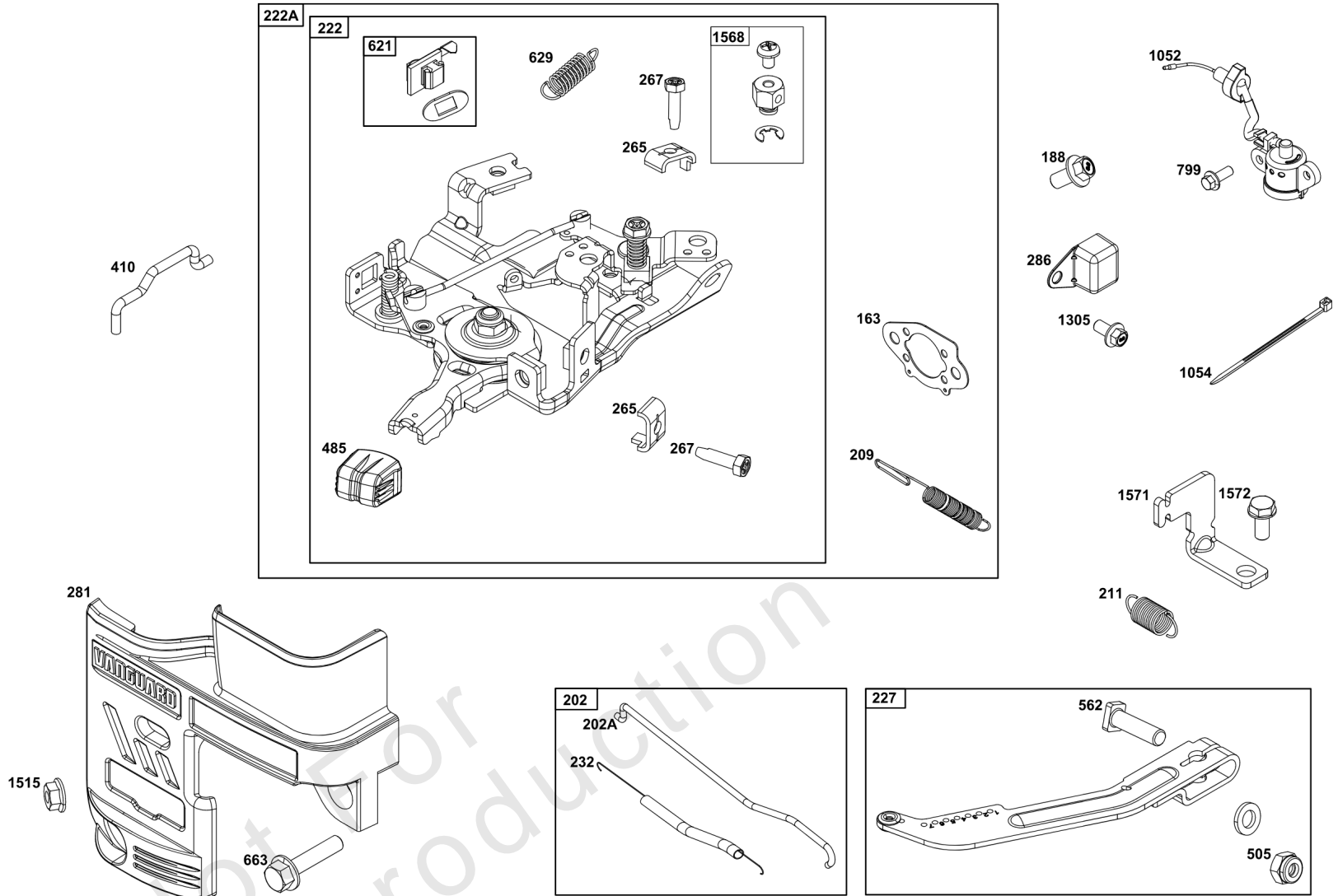
REF NO	PART NO	QTY	DESCRIPTION
60	597080	1	GRIP, Starter Rope -(Part information located in Flywheel/Ignition/Starter Group.)
65	590683	3	SCREW -(Rewind Starter)
281	-----	1	PANEL, Control
304	597073	1	HOUSING, Blower
305	597078	4	SCREW -(Blower Housing)
608	596772	1	STARTER, Rewind -(Part information located in Flywheel/Ignition/Starter Group.)
663	-----	2	SCREW -(Part information located in Controls Group.)
1036	-----	1	LABEL, Emissions -(Available from a Briggs & Stratton Authorized Dealer)
1319	794467	1	LABEL, Warning -(REQUIRED When Replacing Parts With Warning Labels Affixed)
1319A	797669	1	LABEL, Warning
1319B	278911GS	1	LABEL, Warning -(REQUIRED When Replacing Parts With Warning Labels Affixed)
1515	-----	1	NUT, Hex Flange -(Part information located in Controls Group.)





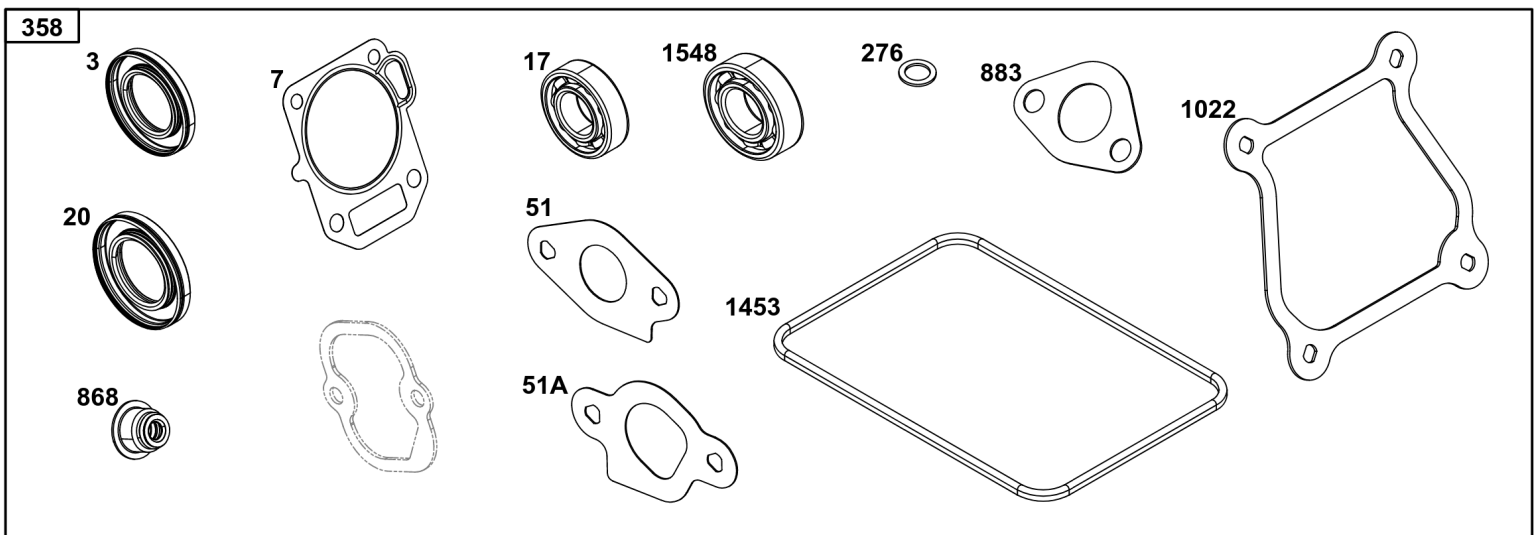
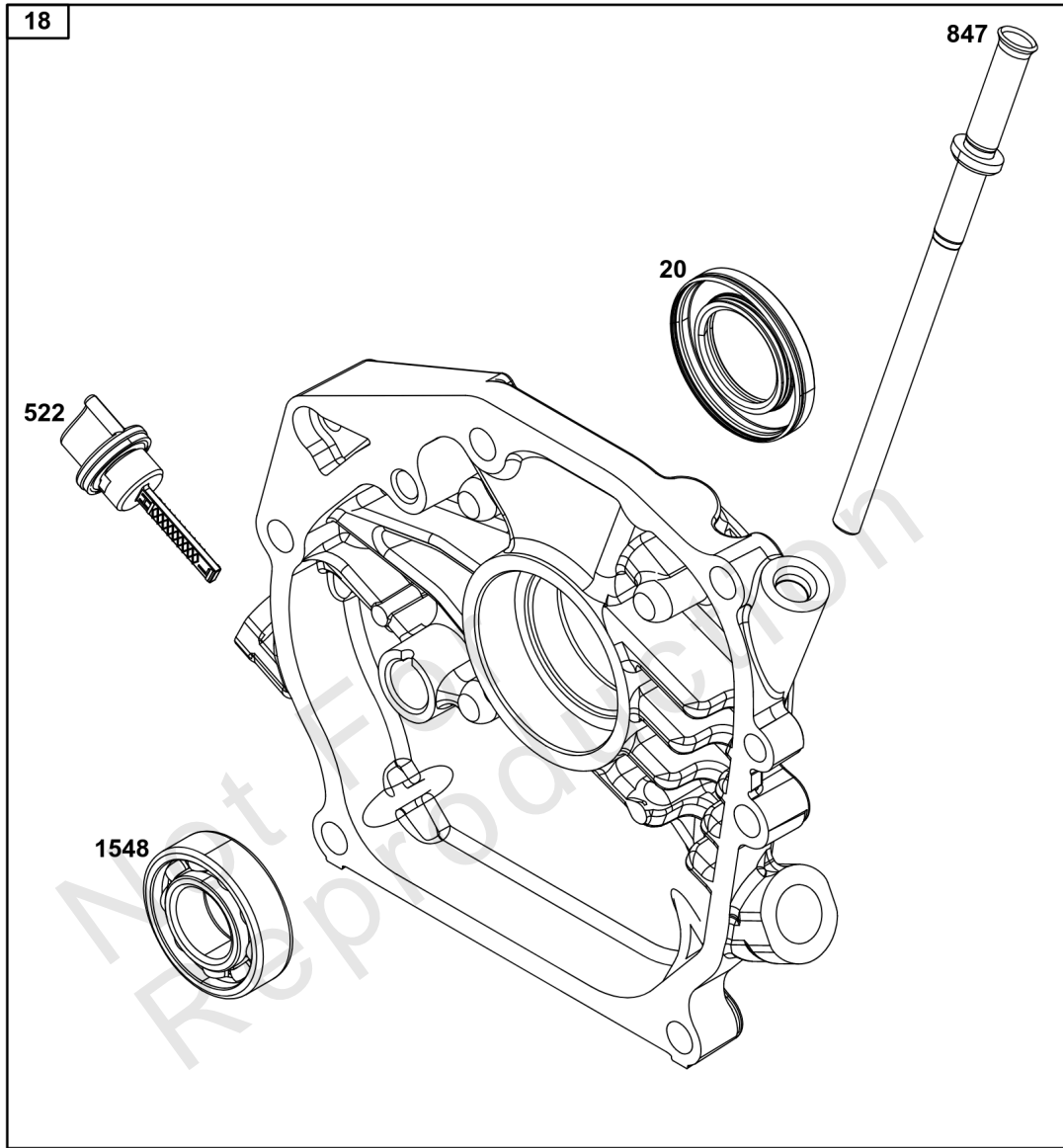
## Carburetor Group

REF NO	PART NO	QTY	DESCRIPTION
51	-----	1	GASKET, Intake -(Part information located in Cylinder Head Group.)
51A	-----	1	GASKET, Intake
53	597052	1	STUD -(Carburetor) (Short)
53A	597051	1	STUD -(Carburetor) (Long)
104	597533	1	PIN, Float Hinge
105	797139	1	VALVE, Float Needle
112	84005081	1	SCREW -(Choke Lever)
117	84004447	1	JET, Main -(Standard)
118	597048	1	JET, Main -(High Altitude)
121	597138	1	KIT, Carburetor Overhaul -(Service Kits can include parts not for this engine.)
122	84003331	1	SPACER, Carburetor
125	84002952	1	CARBURETOR ASSEMBLY
133	597473	1	FLOAT, Carburetor
137	798932	1	GASKET, Float Bowl
163	596768	1	GASKET, Air Cleaner
185	-----	2	NUT -(Part information located in Air Cleaner Group.)
202	-----	1	LINK, Mechanical Governor -(Part information located in Controls Group.)
203	597045	2	CRANK, Bell
205	84005081	1	SCREW -(Bell Crank)
209	-----	1	SPRING, Governor -(Part information located in Controls Group.)
240	JUMPTO240	1	FILTER, Fuel -(Part information located in Fuel Supply Group.)
245	597735	1	GASKET, Fuel Bowl
246	597043	1	BOWL, Fuel Filter
254	595322	1	DRAIN, Carburetor Bowl
276	797632	1	WASHER, Sealing
472	84002963	1	KNOB, Control
680	80078774	1	WASHER -(Choke Lever)
951A	84003872	1	LEVER, Choke
975	597049	1	BOWL, Float



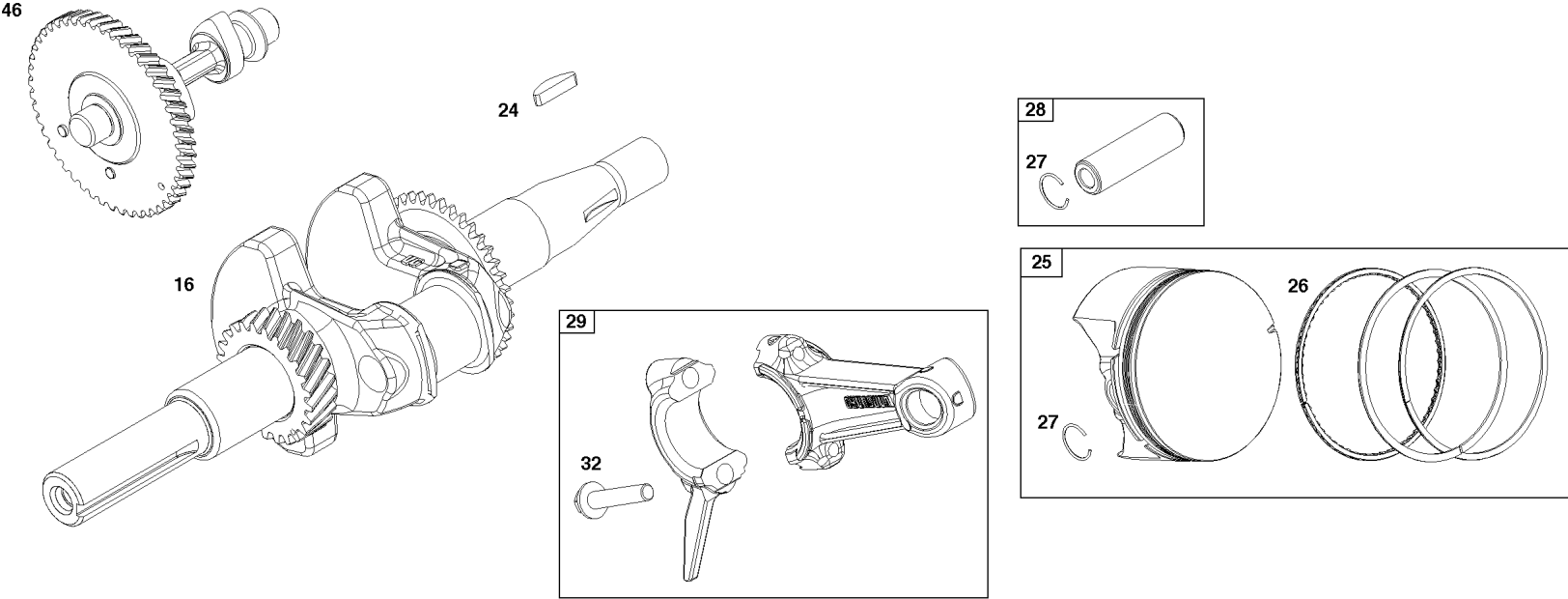
## Controls Group

REF NO	PART NO	QTY	DESCRIPTION
163	-----	1	GASKET, Air Cleaner -(Part information located in Carburetor Group.)
188	590850	2	SCREW -(Control Bracket)
202	597032	1	LINK, Mechanical Governor
202A	597033	1	LINK, Mechanical Governor
209	84003519	1	SPRING, Governor -Used Before Code Date 20110600
209	597111		SPRING, Governor -Used After Code Date 20110500
211	691278	1	SPRING, Governor
222A	84007746		BRACKET, Control -Used Before Code Date 20110600
222	84006188	1	BRACKET, Control -Used After Code Date 20110500
227	84003330	1	LEVER, Governor Control
232	597034	1	SPRING, Governor Link
265	691024	2	CLAMP, Casing
267	597027	2	SCREW -(Casing Clamp)
281	84004647	1	PANEL, Control
286	84002122	1	MODULE, Oil Sensor
410	597024	1	LINK, Control
485	84004631	1	KNOB, Control
505	590641	1	NUT -(Governor Control Lever)
562	597121	1	BOLT -(Governor Control Lever)
621	692310	1	SWITCH, Stop
629	597022	1	SPRING, Throttle Return
663	597460	2	SCREW -(Control Panel)
799	-----	2	SCREW -(Part information located in Lubrication Group.)
1052	-----	1	SENSOR, Oil -(Part information located in Lubrication Group.)
1054	280275	1	TIE, Cable
1305	590850	1	SCREW -(Oil Sensor Module)
1515	590692	1	NUT -(Control Panel)
1568	84005188	1	RETAINER, Wire
1571	597035	1	BRACKET, Governor Control
1572	597036	1	SCREW -(Governed Idle Spring Bracket)



## Crankcase Cover/Sump Group

REF NO	PART NO	QTY	DESCRIPTION
3	-----	1	SEAL, Oil -(Part information located in Cylinder Group.)
7	-----	1	GASKET, Cylinder Head -(Part information located in Cylinder Head Group.)
17	-----	1	BEARING, Ball -(Part information located in Cylinder Group.)
18	596986	1	COVER, Crankcase
20	596991	1	SEAL, Oil -(PTO Side)
22	84003635	6	SCREW -(Crankcase Cover/Sump)
51	-----	1	GASKET, Intake -(Part information located in Cylinder Head Group.)
51A	-----	1	GASKET, Intake -(Part information located in Cylinder Head Group.)
276	-----	1	WASHER, Sealing -(Part information located in Carburetor Group.)
358	-----	1	GASKET SET, Engine -(Part information located in Cylinder Group.)
522	-----	1	PLUG, Dipstick/Fill -(Part information located in Lubrication Group.)
847	JUMPTO847	1	DIPSTICK/TUBE ASSEMBLY -(Part information located in Lubrication Group.)
850	100106	1	SEALANT, Liquid
868	-----	1	SEAL, Valve -(Part information located in Cylinder Head Group.)
883	-----	1	GASKET, Exhaust -(Part information located in Exhaust Group.)
1022	-----	1	GASKET, Rocker Cover -(Part information located in Cylinder Head Group.)
1453	-----	1	SEAL, Air Cleaner Cover -(Part information located in Air Cleaner Group.)
1548	596990	1	BEARING, Ball -(Crankcase Cover/Sump)

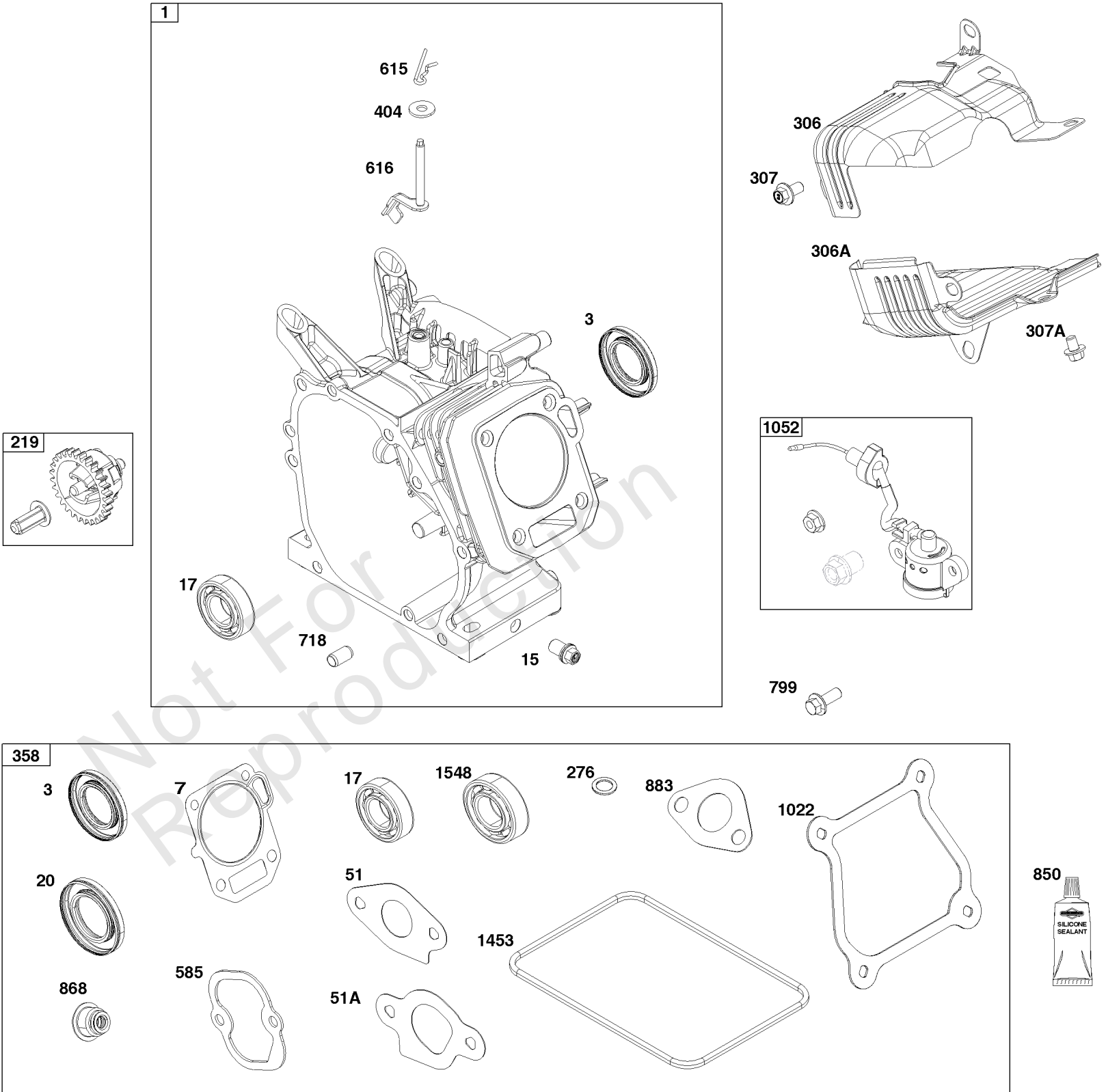


Not For  
Reproduction

## Crankshaft Group

REF NO	PART NO	QTY	DESCRIPTION
16	596958	1	CRANKSHAFT
24	596976	1	KEY, Flywheel
25	596977	1	PISTON ASSEMBLY
25	596978	1	PISTON ASSEMBLY -(.020" Oversize)
26	596979	1	SET, Ring
26	596980	2	SET, Ring -(.020" Oversize)
27	596982	2	LOCK, Piston Pin
28	596981	1	PIN, Piston
29	596983	1	ROD, Connecting
32	596984	2	SCREW -(Connecting Rod)
46	596993	1	CAMSHAFT
357	692191	1	KEY, Drive Pulley

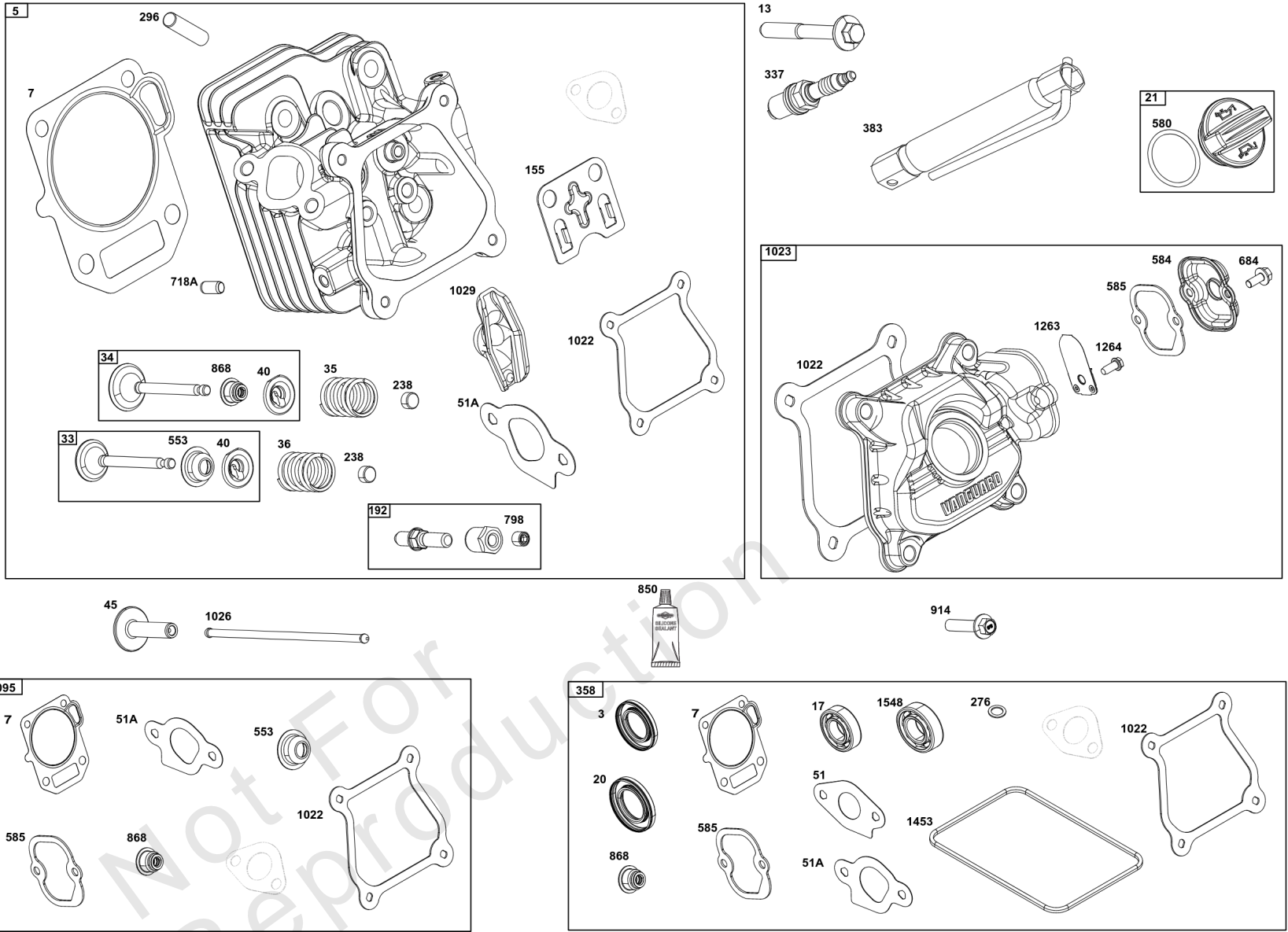
Not For Reproduction





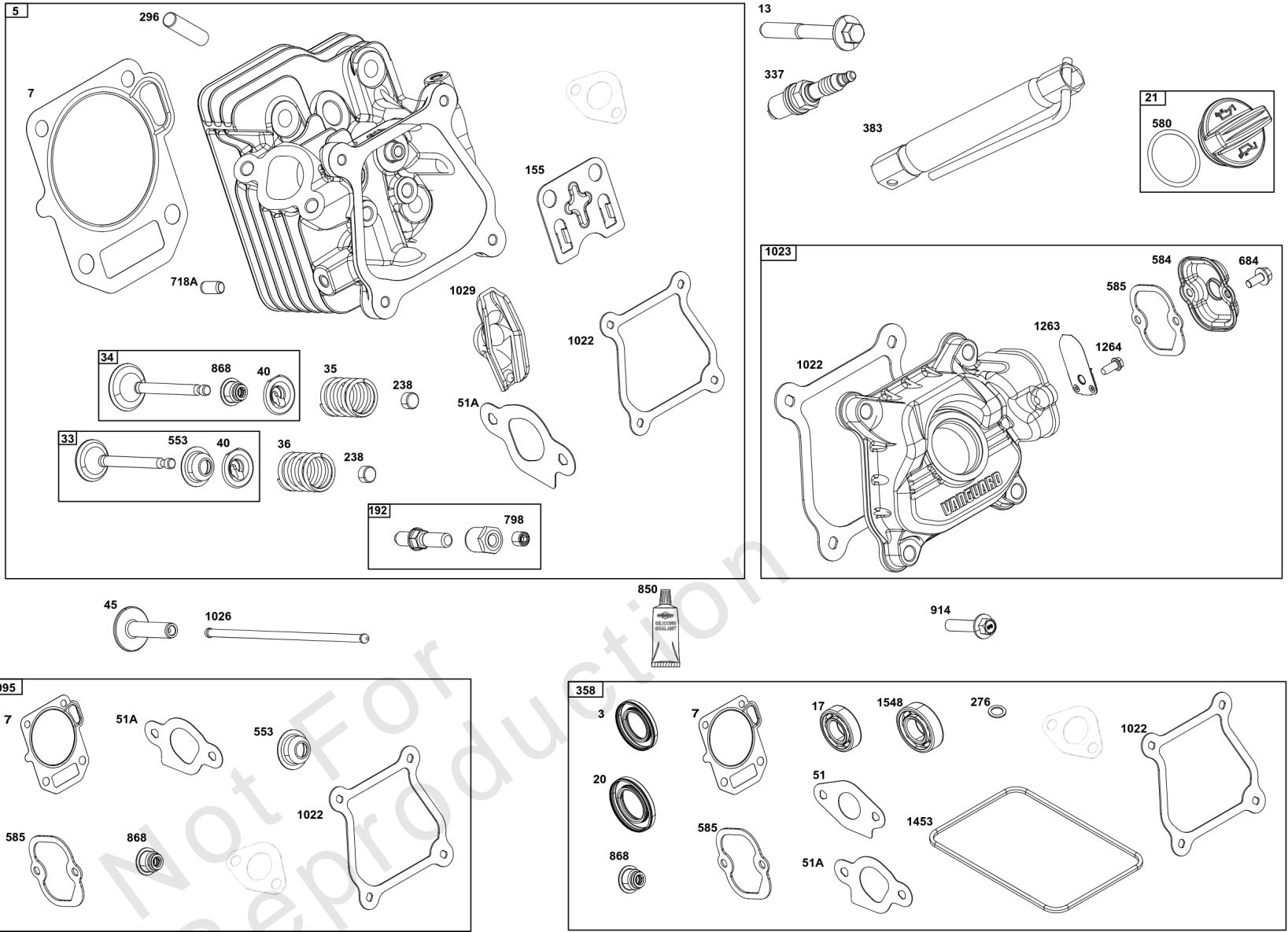
## Cylinder Group

REF NO	PART NO	QTY	DESCRIPTION
1	597751	1	CYLINDER ASSEMBLY
3	84002132	1	SEAL, Oil -(Magneto Side)
7	-----	1	GASKET, Cylinder Head -(Part information located in Cylinder Head Group.)
15	590678	2	PLUG, Oil Drain
17	596990	1	BEARING, Ball -(Cylinder)
20	-----	1	SEAL, Oil -(Part information located in Crankcase Cover/Sump and Lubrication Group.)
51	-----	1	GASKET, Intake
51A	-----	1	GASKET, Intake
219	597038	1	GEAR, Governor
276	-----	1	WASHER, Sealing -(Part information located in Carburetor Group.)
306	597077	1	SHIELD, Cylinder
306A	597076	1	SHIELD, Cylinder
307	590850	3	SCREW -(Cylinder Shield)
307A	590683	3	SCREW -(Cylinder Shield)
358	597139	1	GASKET SET, Engine -(Service Kits may include extra parts not specific to this engine.)
404	597030	1	WASHER -(Governor Crank)
585	-----	1	GASKET, Breather Passage -(Part information located in Cylinder Head Group.)
615	597031	1	RETAINER, Governor Shaft
616	597029	1	CRANK, Governor
718	590713	2	PIN, Locating
799	-----	2	SCREW -(Part information located in Crankcase Cover/Sump and Lubrication Group.)
850	100106	1	SEALANT, Liquid
868	-----	1	SEAL, Valve -(Part information located in Cylinder Head Group.)
883	-----	1	GASKET, Exhaust -(Part information located in Exhaust Group.)
1022	-----	1	GASKET, Rocker Cover -(Part information located in Cylinder Head Group.)
1052	-----	1	SENSOR, Oil -(Part information located in Crankcase Cover/Sump and Lubrication Group.)
1453	-----	1	SEAL, Air Cleaner Cover -(Part information located in Air Cleaner Group.)
1548	-----	1	BEARING, Ball -(Part information located in Crankcase Cover/Sump and Lubrication Group.)



## Cylinder Head Group

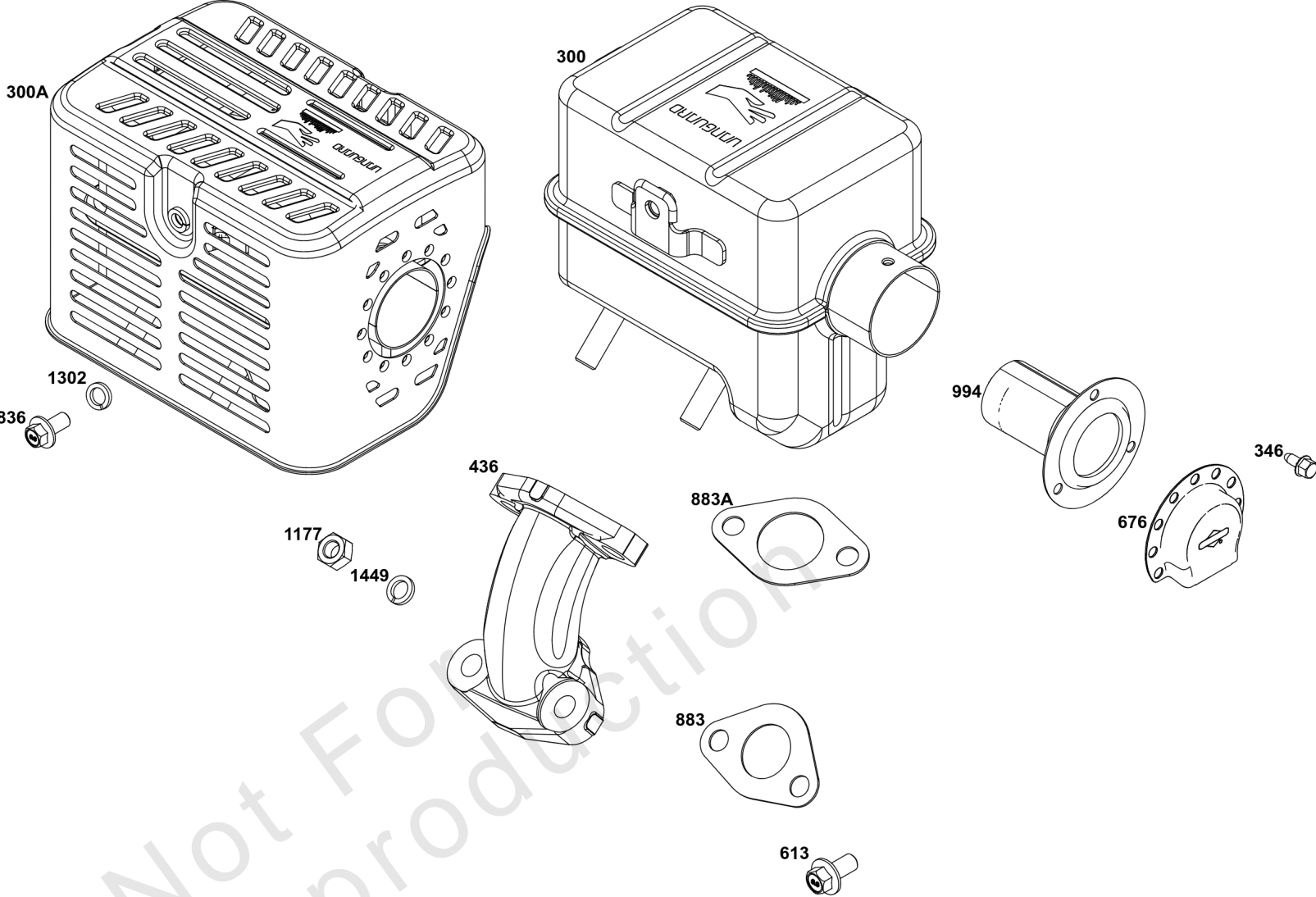
REF NO	PART NO	QTY	DESCRIPTION
3	-----	1	SEAL, Oil -(Part information located in Cylinder Group.)
5	596998	1	HEAD, Cylinder
7	597007	1	GASKET, Cylinder Head
13	597008	4	SCREW -(Cylinder Head)
17	-----	1	BEARING, Ball -(Part information located in Cylinder Group.)
20	-----	1	SEAL, Oil -(Part information located in Crankcase Cover/Sump and Lubrication Group.)
21	597014	1	CAP, Oil Fill
33	597005	1	VALVE, Exhaust
34	597004	1	VALVE, Intake
35	597002	1	SPRING, Valve -(Intake)
36	597002	1	SPRING, Valve -(Exhaust)
40	590654	2	RETAINER, Valve
45	591449	2	TAPPET, Valve
51	596769	1	GASKET, Intake
51A	596770	1	GASKET, Intake
155	592874	1	PLATE, Cylinder Head
192	597006	2	ADJUSTER, Rocker Arm
238	590649	2	CAP, Valve
276	-----	1	WASHER, Sealing -(Part information located in Carburetor Group.)
296	590631	2	STUD -(Muffler)
337	491055S	2	PLUG, Spark
337	84007216	2	PLUG, SPARK -(China Only)
358	-----	1	GASKET SET, Engine -(Part information located in Cylinder Group.)
383	19576S	1	WRENCH, Spark Plug
553	597003	1	RETAINER, Valve Spring
580	809894	1	SEAL, O-Ring -(Oil Fill Cap)
584	597011	1	COVER, Breather Passage
585	597010	1	GASKET, Breather Passage
684	597012	2	SCREW -(Breather Passage Cover)
718A	590637	2	PIN, Locating
798	597000	2	SCREW -(Rocker Arm)
850	100106	1	SEALANT, Liquid
868	597001	1	SEAL, Valve
914	597016	4	SCREW -(Rocker Cover)
1022	597015	1	GASKET, Rocker Cover
1023	597009	1	COVER, Rocker
1026	597017	2	ROD, Push
1029	596999	2	ARM, Rocker
1095	597140	1	GASKET SET, Valve -(Service Kits may include extra parts not specific to this engine.)
1263	697124	1	REED, Breather



## Cylinder Head Group

REF NO	PART NO	QTY	DESCRIPTION
1264	793453	1	SCREW -(Breather Reed)
1453	-----	1	SEAL, Air Cleaner Cover -(Part information located in Air Cleaner Group.)
1548	-----	1	BEARING, Ball -(Part information located in Crankcase Cover/Sump and Lubrication Group.)

Not For Reproduction

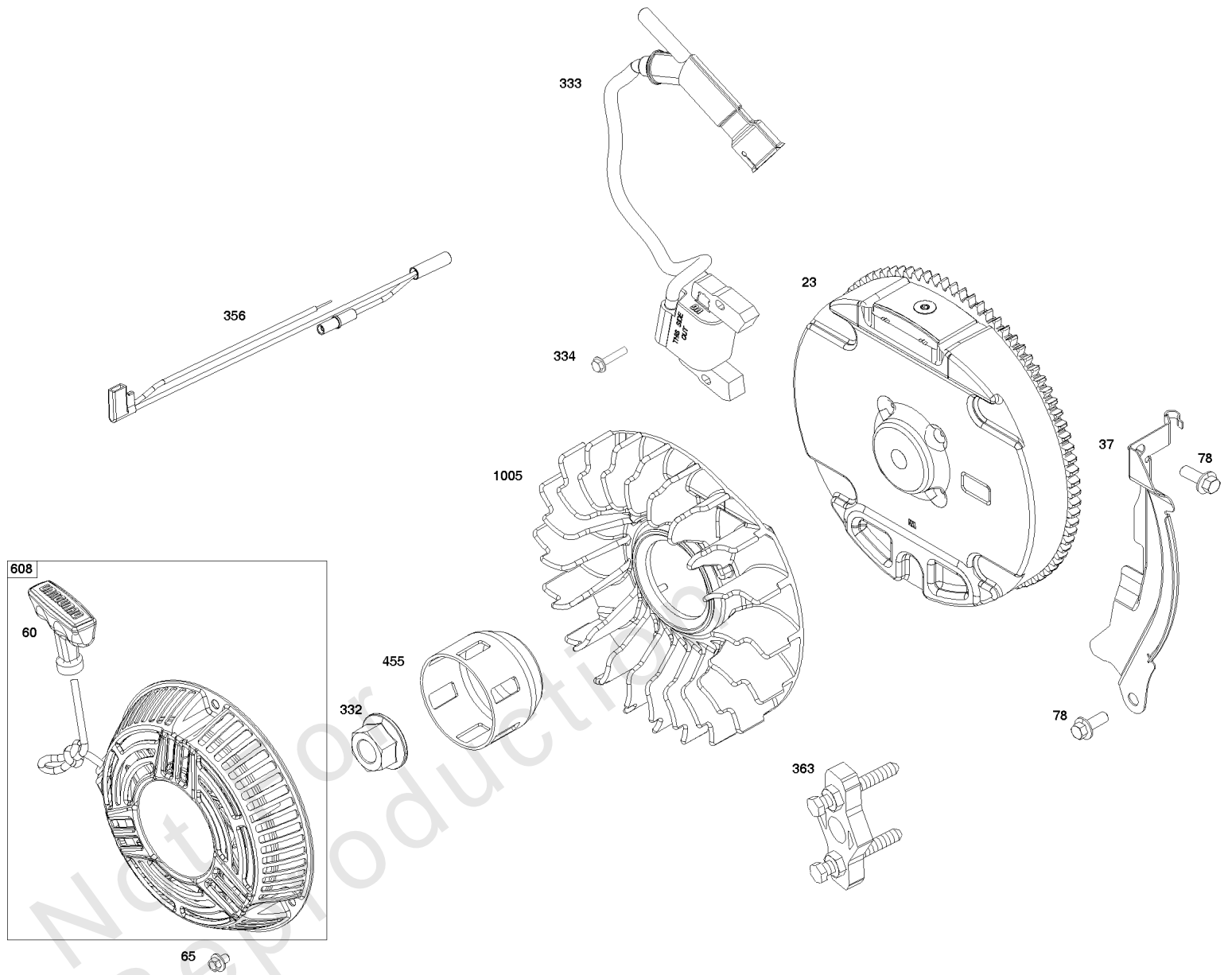


Not For  
Reproduction

## Exhaust Group

REF NO	PART NO	QTY	DESCRIPTION
300	597582	1	MUFFLER
300A	84004589	1	Muffler
346	699203	3	SCREW -(Spark Arrestor)
436	597585	1	MANIFOLD, Exhaust
613	590850	1	SCREW -(Muffler)
676	798467	1	DEFLECTOR, Muffler
836	590706	3	SCREW -(Muffler Guard)
883	597072	1	GASKET, Exhaust
883A	597586	1	GASKET, Exhaust
994	793985	1	ARRESTOR, Spark
1177	590632	2	NUT -(Muffler)
1302	704133	3	LOCKWASHER, Split, 1/4 -(Muffler Guard)
1449	590633	2	WASHER

Not For Reproduction

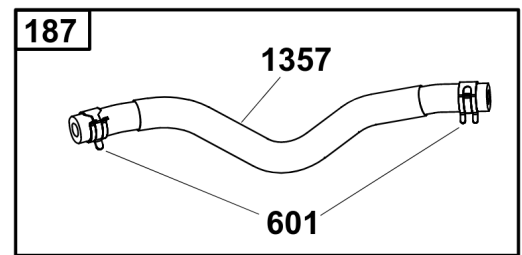
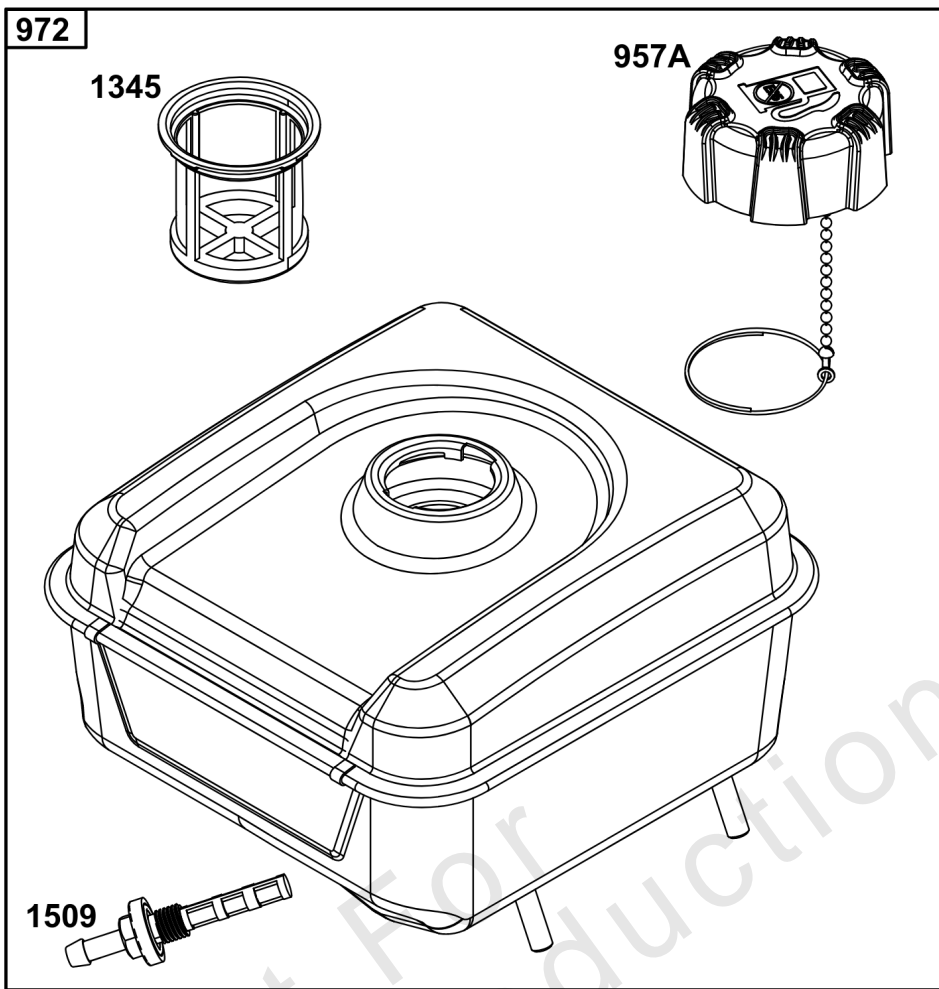




## ***Flywheel, Ignition, and Starter Group***

<b>REF NO</b>	<b>PART NO</b>	<b>QTY</b>	<b>DESCRIPTION</b>
23	597085	1	FLYWHEEL
37	84005259	1	GUARD, Flywheel
60	597080	2	GRIP, Starter Rope
65	590683	2	SCREW -(Rewind Starter)
78	590850	3	SCREW -(Flywheel Guard)
332	591988	1	NUT
333	84003520	2	COIL, Ignition
334	699477	2	SCREW -(Magneto Armature)
356	597054	1	WIRE, Stop
363	19203	1	PULLER, Flywheel
455	597088	1	CUP, Flywheel
608	596772	2	STARTER, Rewind
1005	794273	1	FAN, Flywheel

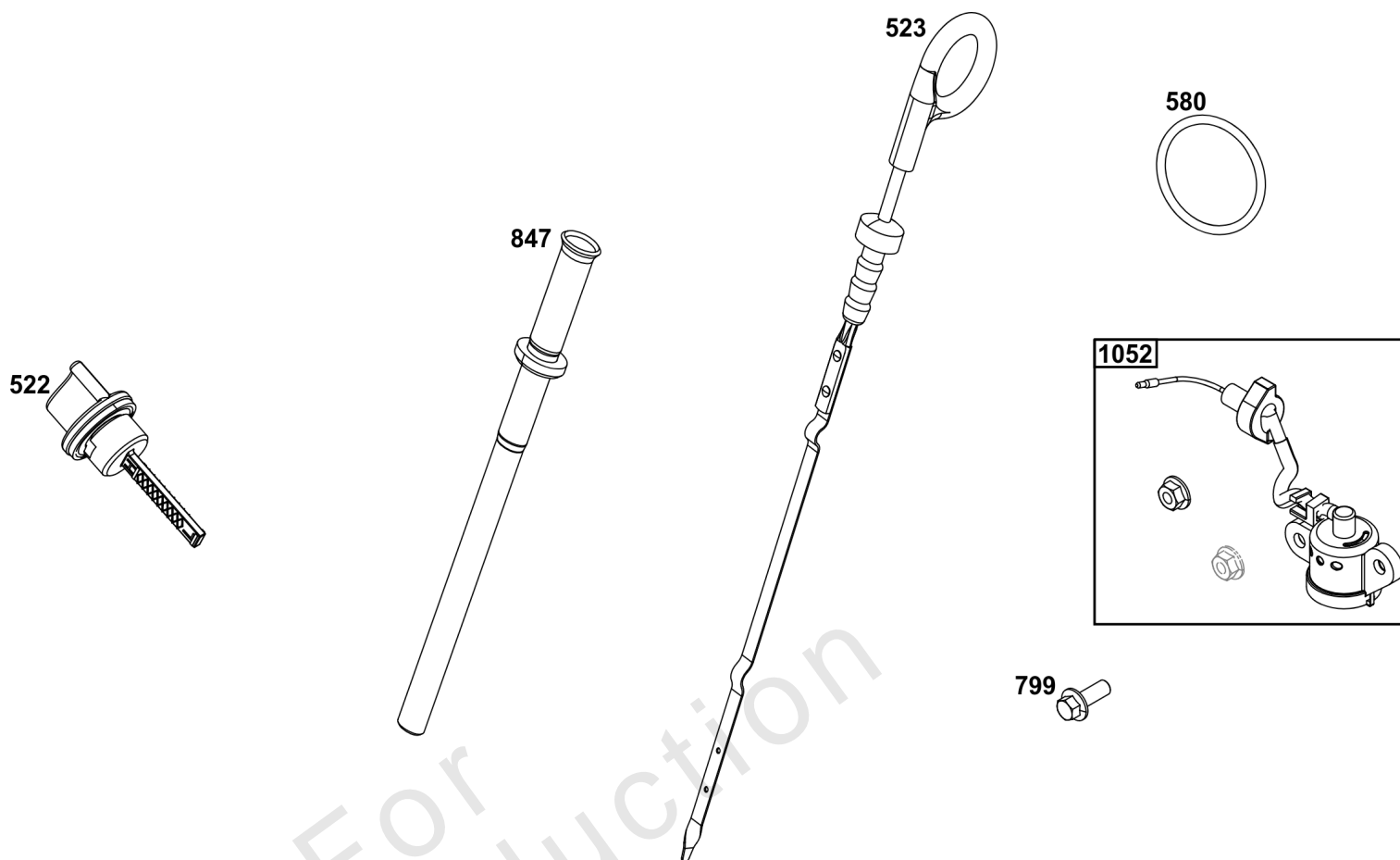
Not For Reproduction



## Fuel Supply Group

REF NO	PART NO	QTY	DESCRIPTION
187	597058	1	LINE, Fuel
190	591476	1	SCREW -(Fuel Tank)
601	791850	1	CLAMP, Hose
705	707919	2	NUT -(Fuel Tank)
957A	596765	1	CAP, Fuel Tank
972	597057	1	TANK, Fuel
1345	792917	1	FILTER, Filler Neck
1357	597058	1	LINE, Fuel
1509	797346	1	OUTLET, Tank

Not For Reproduction



## Lubrication Group

REF NO	PART NO	QTY	DESCRIPTION
522	590716	1	PLUG, Dipstick/Fill
523	596992	1	DIPSTICK
580	809894	1	SEAL, O-Ring -(Oil Fill Cap)
799	590703	2	SCREW -(Oil Sensor)
847	JUMPTO847	1	DIPSTICK/TUBE ASSEMBLY
1052	84004948	1	SENSOR, Oil

Not For Reproduction

## Replacement Engine - US & Canada

REF NO	PART NO	QTY	DESCRIPTION
	12V3320013F1		Replacement Engine
	-----		Idle Speed: 1450
	-----		Top No-Load Speed: 3600

Not For Reproduction

