

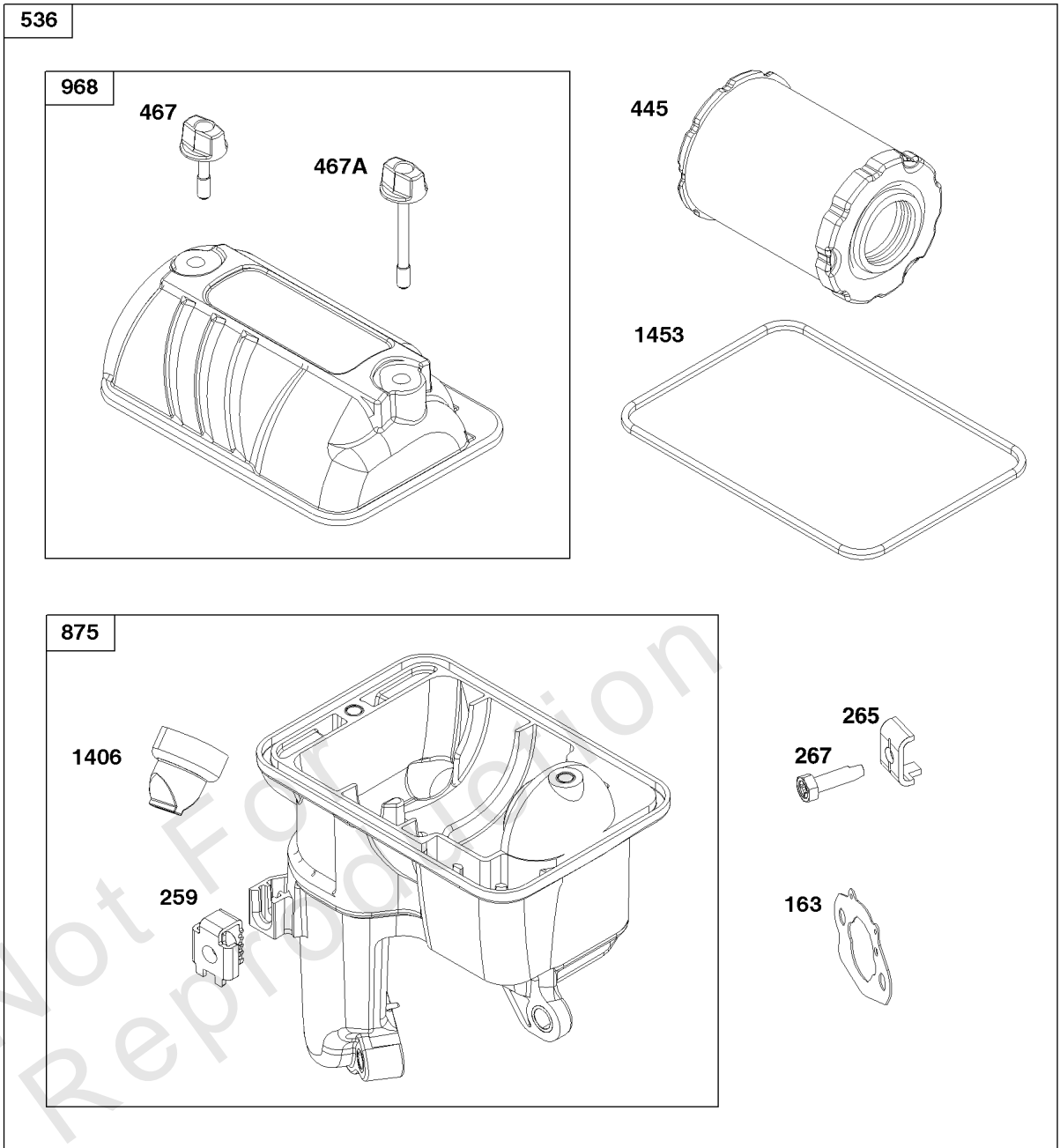


Parts Manual

Mfg. No: 12V337-0139-F1

Model Components	Page
Air Cleaner Group.....	4
Alternator Group.....	6
Blower Housing Group.....	8
Carburetor Group.....	10
Controls Group.....	12
Crankcase Cover/Sump and Lubrication Group.....	14
Crankshaft Group.....	16
Cylinder Group.....	18
Cylinder Head Group.....	20
Exhaust Group.....	24
Flywheel, Ignition, and Starter Group.....	26
Fuel Supply Group.....	28
Replacement Engine - US & Canada.....	30

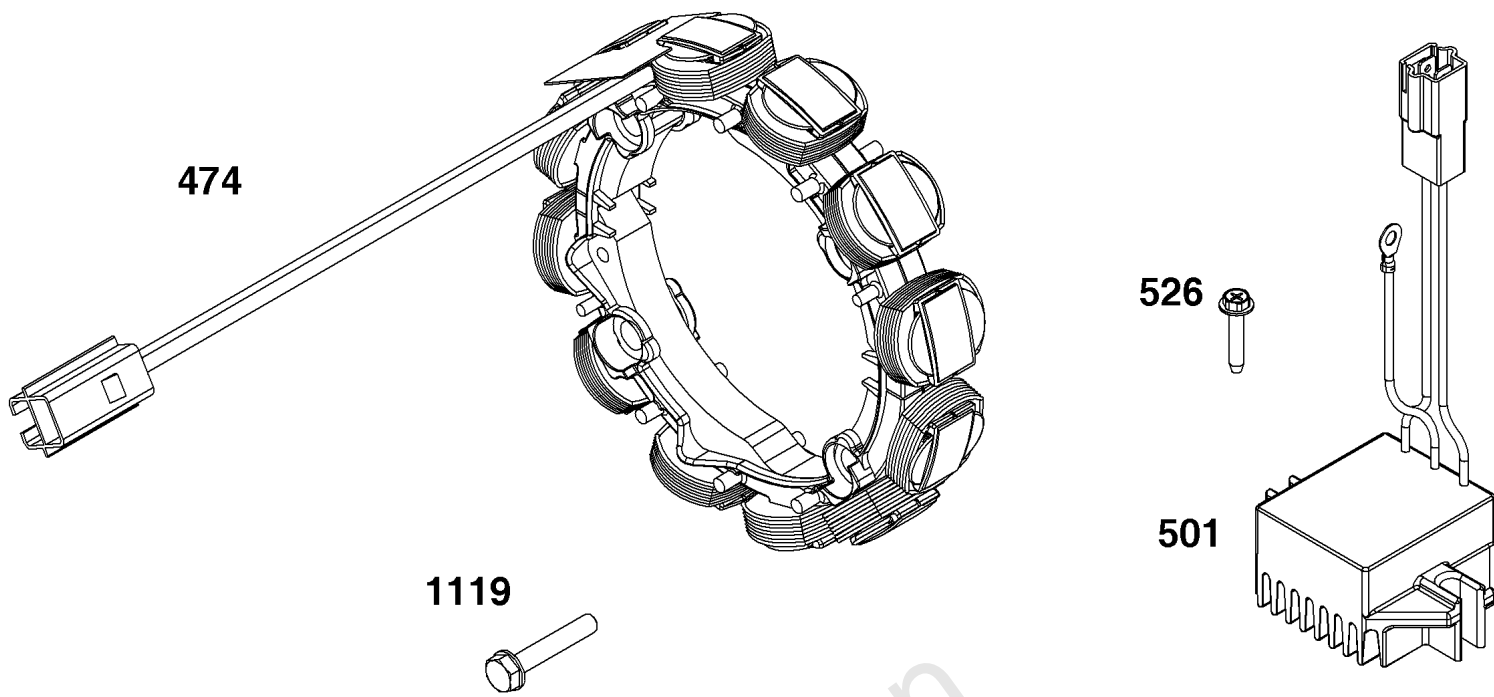
Not For
Reproduction



Air Cleaner Group

REF NO	PART NO	QTY	DESCRIPTION
11	597013	1	TUBE, Breather
163	596768	1	GASKET, Air Cleaner
185	590692	1	NUT -(Air Cleaner Base)
259	691189	1	BRACKET, Casing Clamp
265	691024	1	CLAMP, Casing
267	597027	1	SCREW -(Casing Clamp)
445	596760	1	FILTER, A/C Cartridge
467	596759	1	KNOB, Air Cleaner Cover
467A	596758	1	KNOB, Air Cleaner Cover
536	597060	1	CLEANER, Air
875	597061	1	BASE, Air Cleaner
968	597062	1	COVER, Air Cleaner
1406	597065	1	VALVE, Debris
1453	596756	1	SEAL, Air Cleaner Cover

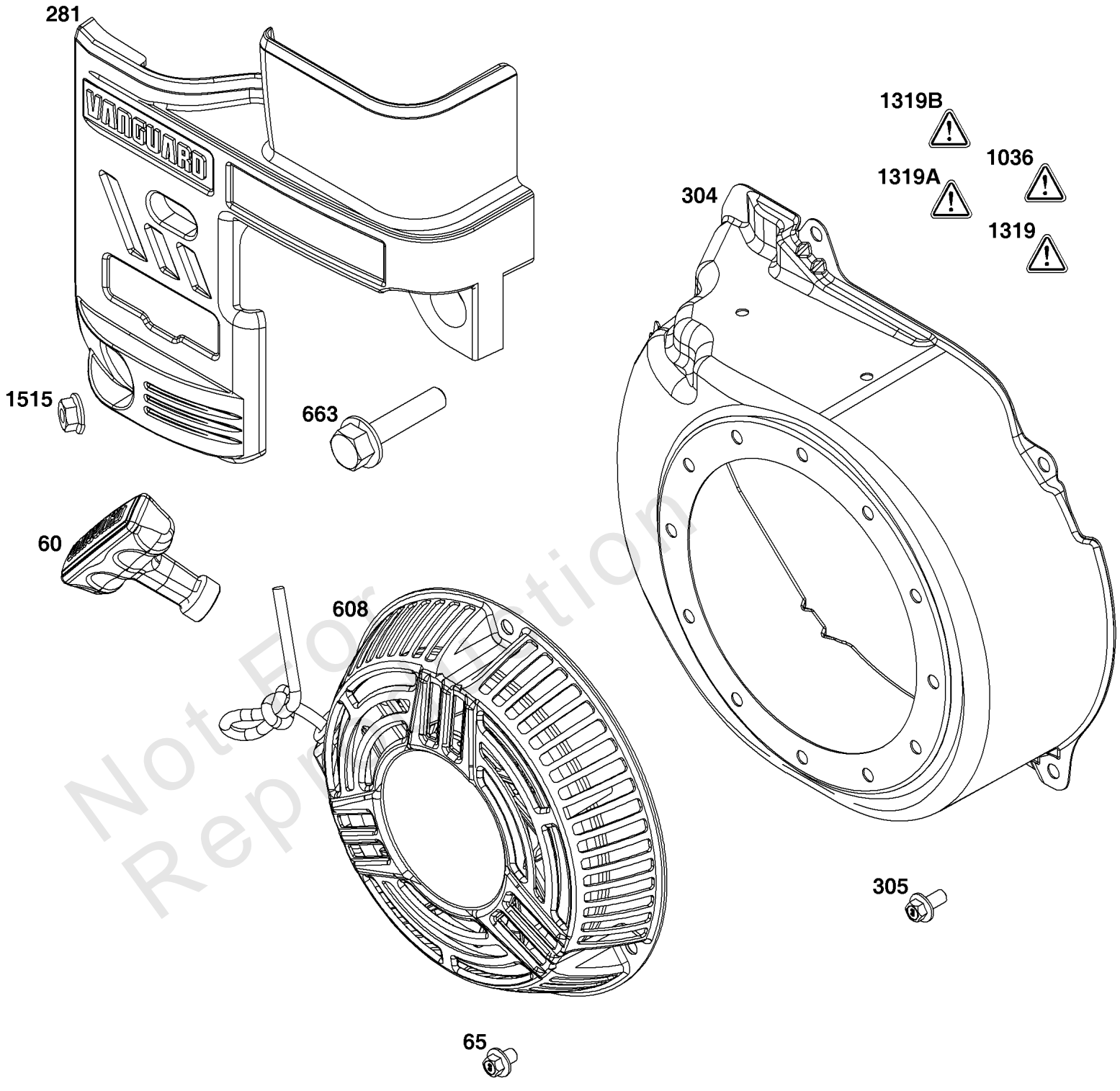
Not For Reproduction



Alternator Group

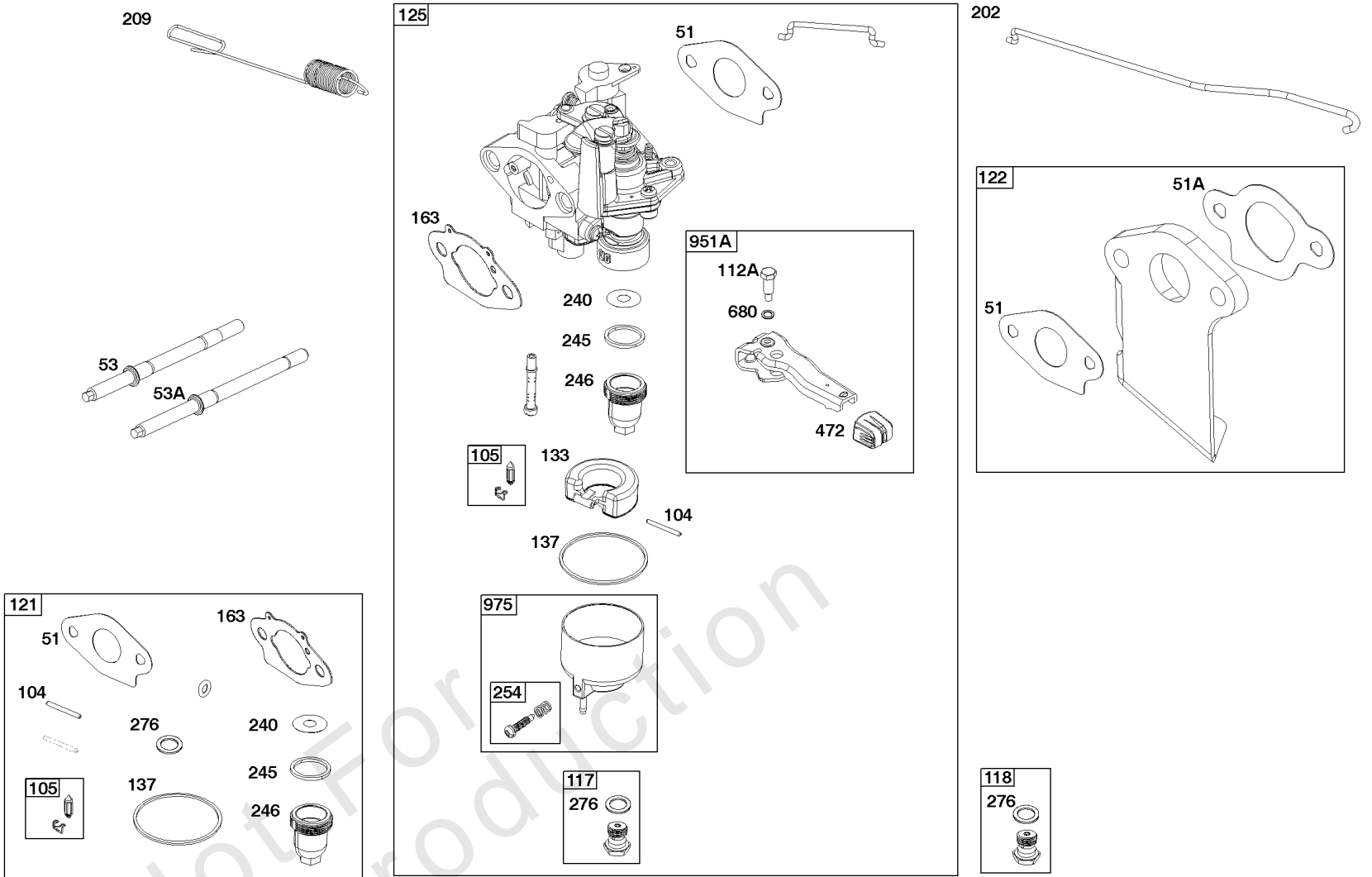
REF NO	PART NO	QTY	DESCRIPTION
474	84002984	1	ALTERNATOR
501	84002983	1	REGULATOR
526	847149	2	SCREW -(Regulator)
1119	699772	2	SCREW -(Alternator)

Not For Reproduction



Blower Housing Group

REF NO	PART NO	QTY	DESCRIPTION
60	597080	2	GRIP, Starter Rope -(Part information located in Flywheel/Ignition/Starter Group.)
65	590683	3	SCREW -(Rewind Starter)
281	-----	1	PANEL, Control
304	597074	1	HOUSING, Blower
305	597078	4	SCREW -(Blower Housing)
608	596772	2	STARTER, Rewind -(Part information located in Flywheel/Ignition/Starter Group.)
663	-----	2	SCREW -(Part information located in Controls Group.)
1036	-----	1	LABEL, Emissions -(Available from a Briggs & Stratton Authorized Dealer)
1319	794467	1	LABEL, Warning -(REQUIRED When Replacing Parts With Warning Labels Affixed)
1319A	797669	1	LABEL, Warning
1319B	278911GS	1	LABEL, Warning -(REQUIRED When Replacing Parts With Warning Labels Affixed)
1515	-----	1	NUT, Hex Flange -(Part information located in Controls Group.)

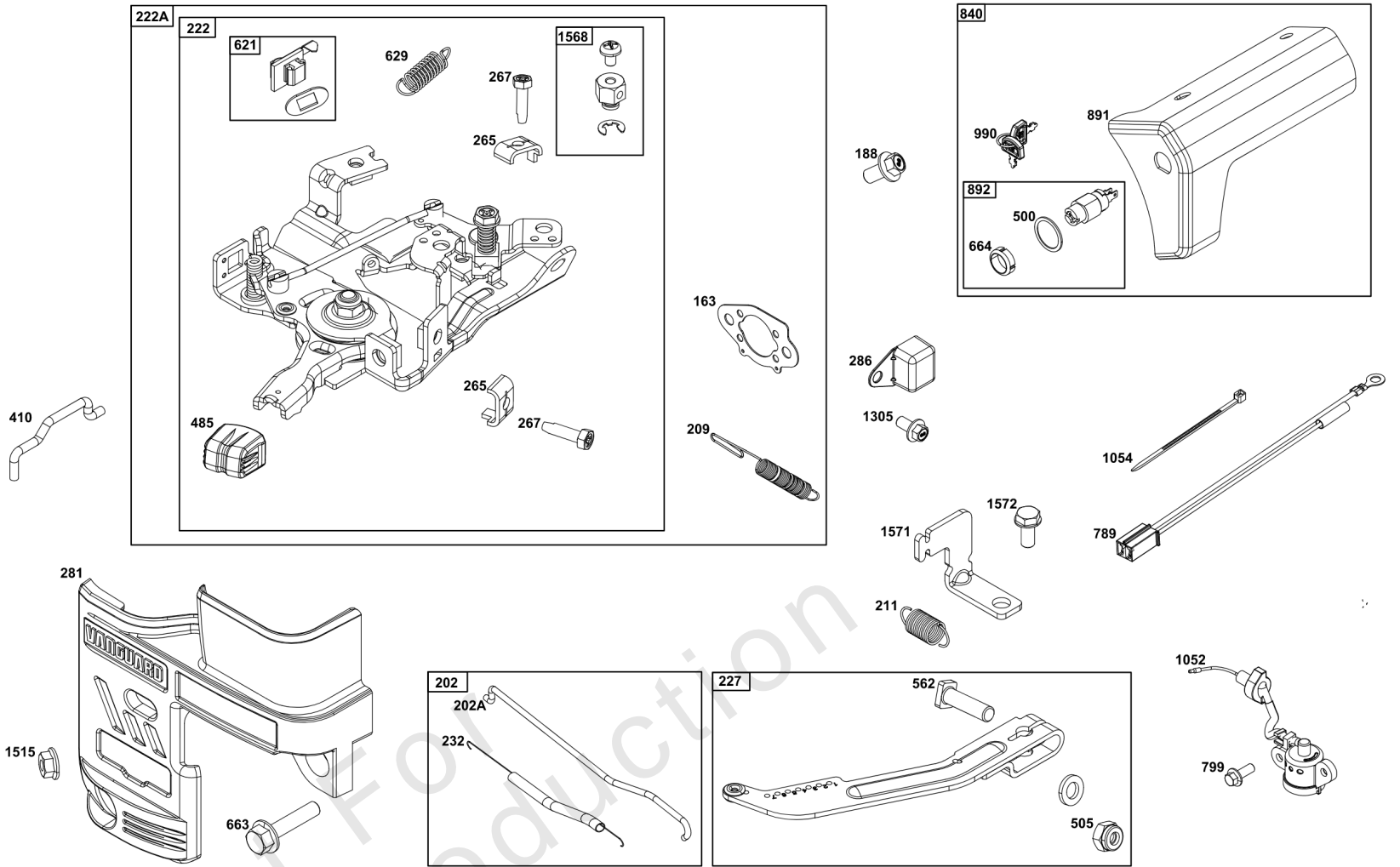


Carburetor Group

REF NO	PART NO	QTY	DESCRIPTION
51	596769	1	GASKET, Intake
51A	-----	1	GASKET, Intake
53	597052	1	STUD -(Carburetor) (Short)
53A	597051	1	STUD -(Carburetor) (Long)
104	597533	1	PIN, Float Hinge
105	797139	1	VALVE, Float Needle
112A	84003640	1	SCREW -(Choke Lever)
117	84004447	1	JET, Main -(Standard)
118	597048	1	JET, Main -(High Altitude)
121	597138	1	KIT, Carburetor Overhaul -(Service Kits may include extra parts not specific to this engine.)
122	84003331	1	SPACER, Carburetor
125	84002952	1	CARBURETOR ASSEMBLY
133	597473	1	FLOAT, Carburetor
137	798932	1	GASKET, Float Bowl
163	596768	1	GASKET, Air Cleaner
202	-----	1	LINK, Mechanical Governor -(Part information located in Controls Group.)
209	-----	1	SPRING, Governor -(Part information located in Controls Group.)
240	597039	1	FILTER, Fuel
245	597735	1	GASKET, Fuel Bowl
246	597043	1	BOWL, Fuel Filter
254	595322	1	DRAIN, Carburetor Bowl
276	797632	1	WASHER, Sealing
472	84002963	1	KNOB, Control
680	84005074	1	WASHER -(Choke Lever)
951A	84003872	1	LEVER, Choke
975	597049	1	BOWL, Float

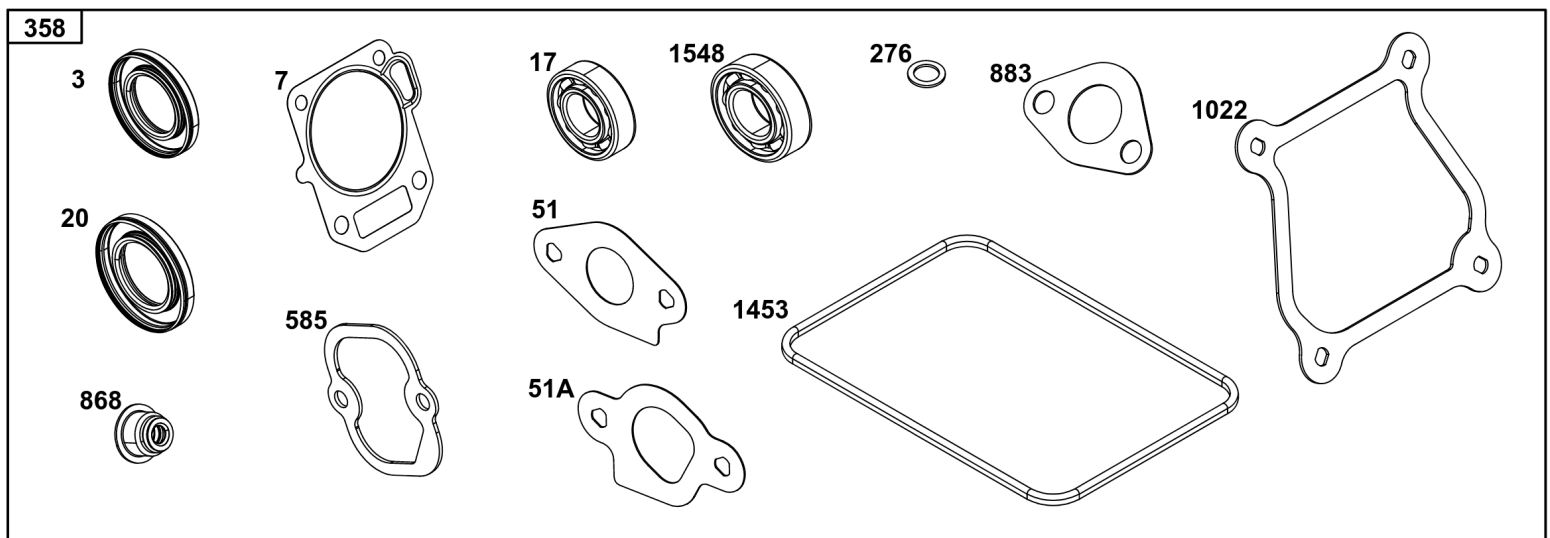
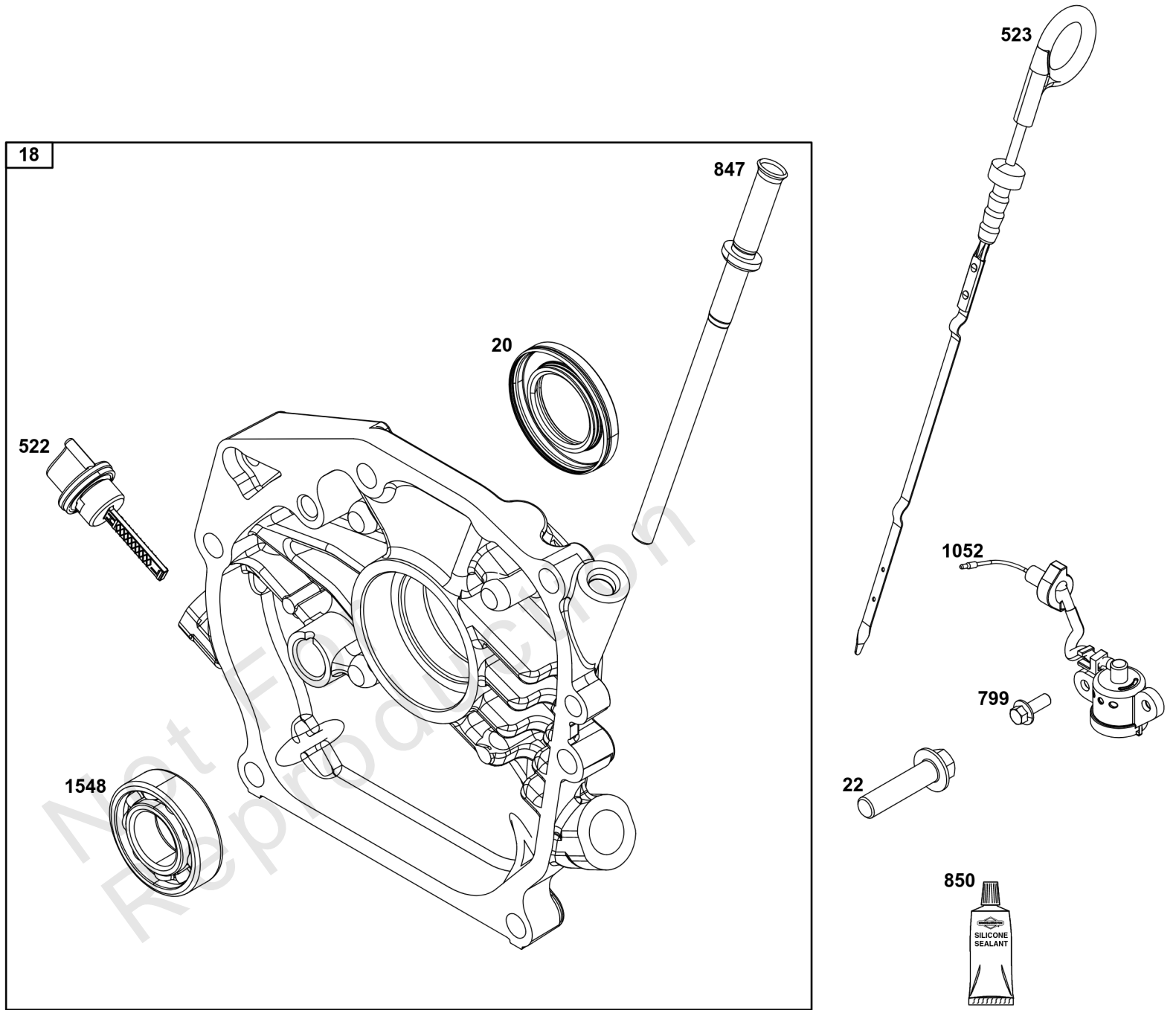
Footnotes:

(Use After Date Code 18051700)



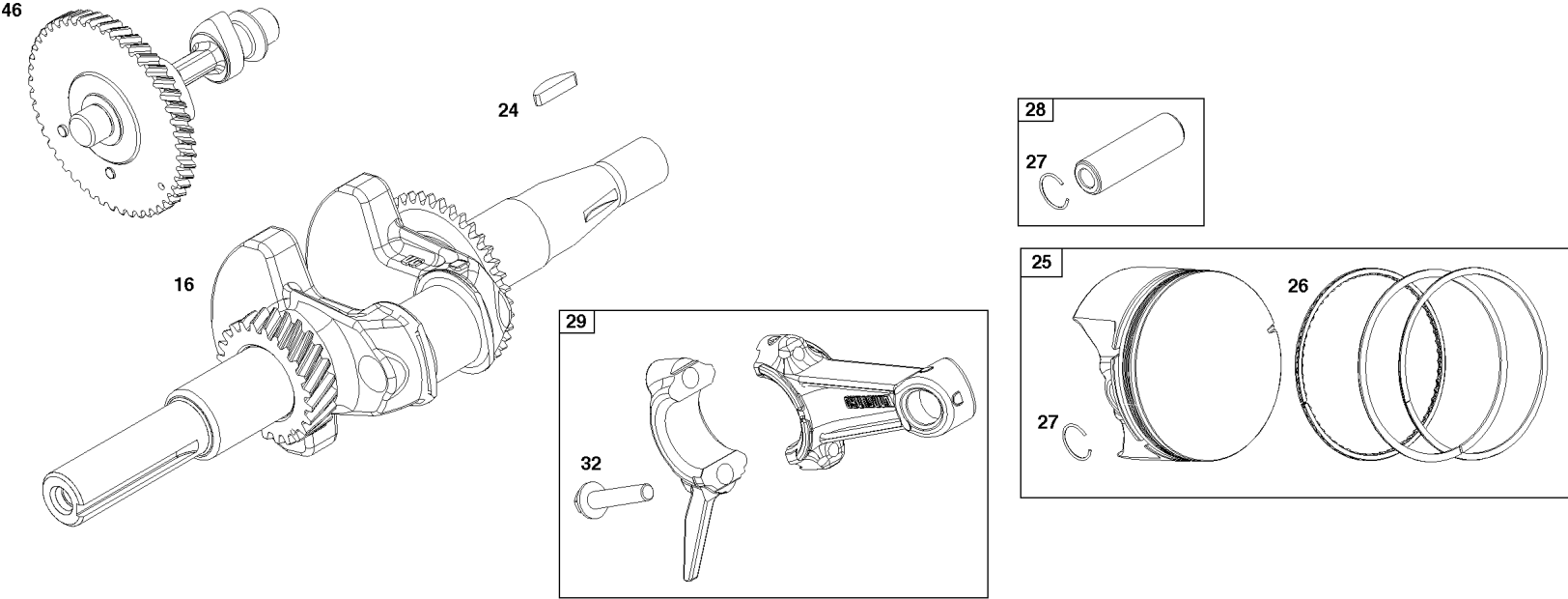
Controls Group

REF NO	PART NO	QTY	DESCRIPTION
163	-----	1	GASKET, Air Cleaner -(Part information located in Carburetor Group.)
188	590850	2	SCREW -(Control Bracket)
202	597032	1	LINK, Mechanical Governor
202A	597033	1	LINK, Mechanical Governor
209	84003519	1	SPRING, Governor -Used Before Code Date 20110600
209	597111	1	SPRING, Governor -Used After Code Date 20110500
211	691278	1	SPRING, Governor
222A	84007746		BRACKET, Control -Used Before Code Date 20110600
222	84006188	1	BRACKET, Control -Used After Code Date 20110500
227	84003330	1	LEVER, Governor Control
232	597034	1	SPRING, Governor Link
265	691024	2	CLAMP, Casing
267	597027	2	SCREW -(Casing Clamp)
281	84004647	1	PANEL, Control
286	84002122	1	MODULE, Oil Sensor
410	597024	1	LINK, Control
485	84004631	1	KNOB, Control
500	84005150	1	WASHER -(Key Switch)
505	590641	1	NUT -(Governor Control Lever)
562	597121	1	BOLT -(Governor Control Lever)
621	84007989	1	SWITCH, Stop
629	597022	1	SPRING, Throttle Return
663	84003635	6	SCREW -(Control Panel)
664	84005149	1	NUT -(Key Switch)
789	597056	1	HARNESS, Wiring
799	-----	2	SCREW -(Part information located in Crankcase Cover/Sump and Lubrication Group.)
840	597083	1	SWITCH, Cover
891	597084	1	HOUSING, Switch
892	84005148	1	SWITCH, Key
990	84005151	1	SET, Key
1052	-----	1	SENSOR, Oil -(Part information located in Crankcase Cover/Sump and Lubrication Group.)
1054	280275	1	TIE, Cable
1305	590703	1	SCREW -(Oil Sensor Module)
1515	590692	1	NUT -(Control Panel)
1568	84005188	1	RETAINER, Wire
1571	597035	1	BRACKET, Governor Control
1572	597036	1	SCREW -(Governed Idle Spring Bracket)



Crankcase Cover/Sump and Lubrication Group

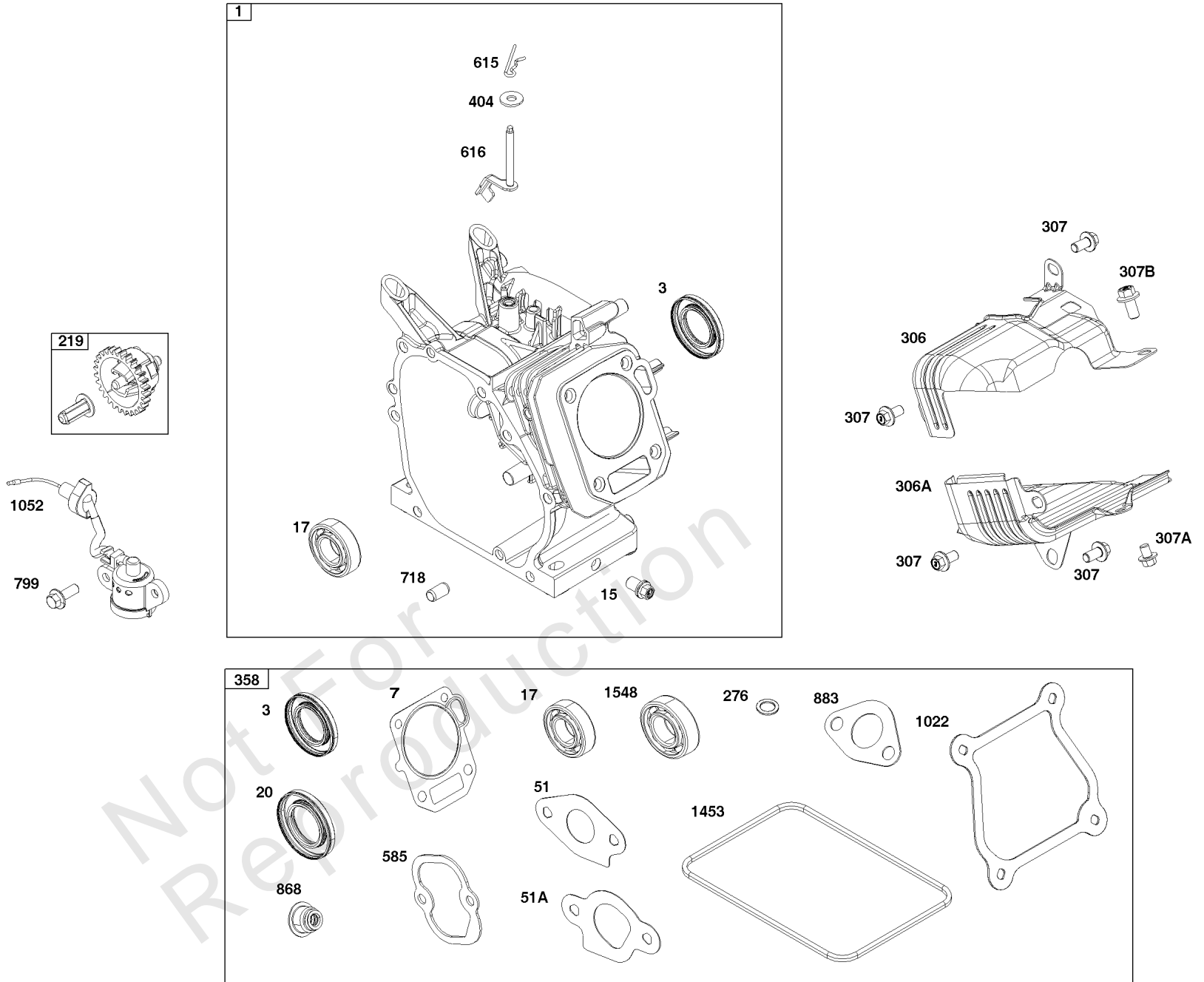
REF NO	PART NO	QTY	DESCRIPTION
3	-----	1	SEAL, Oil -(Part information located in Cylinder Group.)
7	-----	1	GASKET, Cylinder Head -(Part information located in Cylinder Head Group.)
17	-----	1	BEARING, Ball -(Part information located in Cylinder Group.)
18	596986	1	COVER, Crankcase
20	596991	1	SEAL, Oil -(PTO Side)
22	590714	6	SCREW
51	-----	1	GASKET, Intake -(Part information located in Cylinder Head Group.)
51A	-----	1	GASKET, Intake -(Part information located in Cylinder Head Group.)
276	-----	1	WASHER, Sealing -(Part information located in Carburetor Group.)
358	-----	1	GASKET SET, Engine -(Part information located in Cylinder Group.)
522	590716	2	PLUG, Dipstick/Fill
523	596992	1	DIPSTICK
585	-----	1	GASKET, Breather Passage -(Part information located in Cylinder Head Group.)
799	590703	2	SCREW -(Oil Sensor)
847	596989	1	DIPSTICK/TUBE ASSEMBLY
850	100106		SEALANT, Liquid
868	-----	1	SEAL, Valve -(Part information located in Cylinder Head Group.)
883	-----	1	GASKET, Exhaust -(Part information located in Exhaust Group.)
1022	-----	1	GASKET, Rocker Cover -(Part information located in Cylinder Head Group.)
1052	84004948	1	SENSOR, Oil
1453	-----	1	SEAL, Air Cleaner Cover -(Part information located in Air Cleaner Group.)
1548	596990	1	BEARING, Ball -(Crankcase Cover/Sump) (Crankshaft)



Crankshaft Group

REF NO	PART NO	QTY	DESCRIPTION
16	596958	1	CRANKSHAFT
24	596976	1	KEY, Flywheel
25	596977	1	PISTON ASSEMBLY
25	596978	1	PISTON ASSEMBLY - (.020" Oversize)
26	596979	1	SET, Ring
26	596980	2	SET, Ring - (.020" Oversize)
27	596982	2	LOCK, Piston Pin
28	596981	1	PIN, Piston
29	596983	1	ROD, Connecting
32	596984	2	SCREW -(Connecting Rod)
46	596993	1	CAMSHAFT
357	692191	1	KEY, Drive Pulley

Not For Reproduction

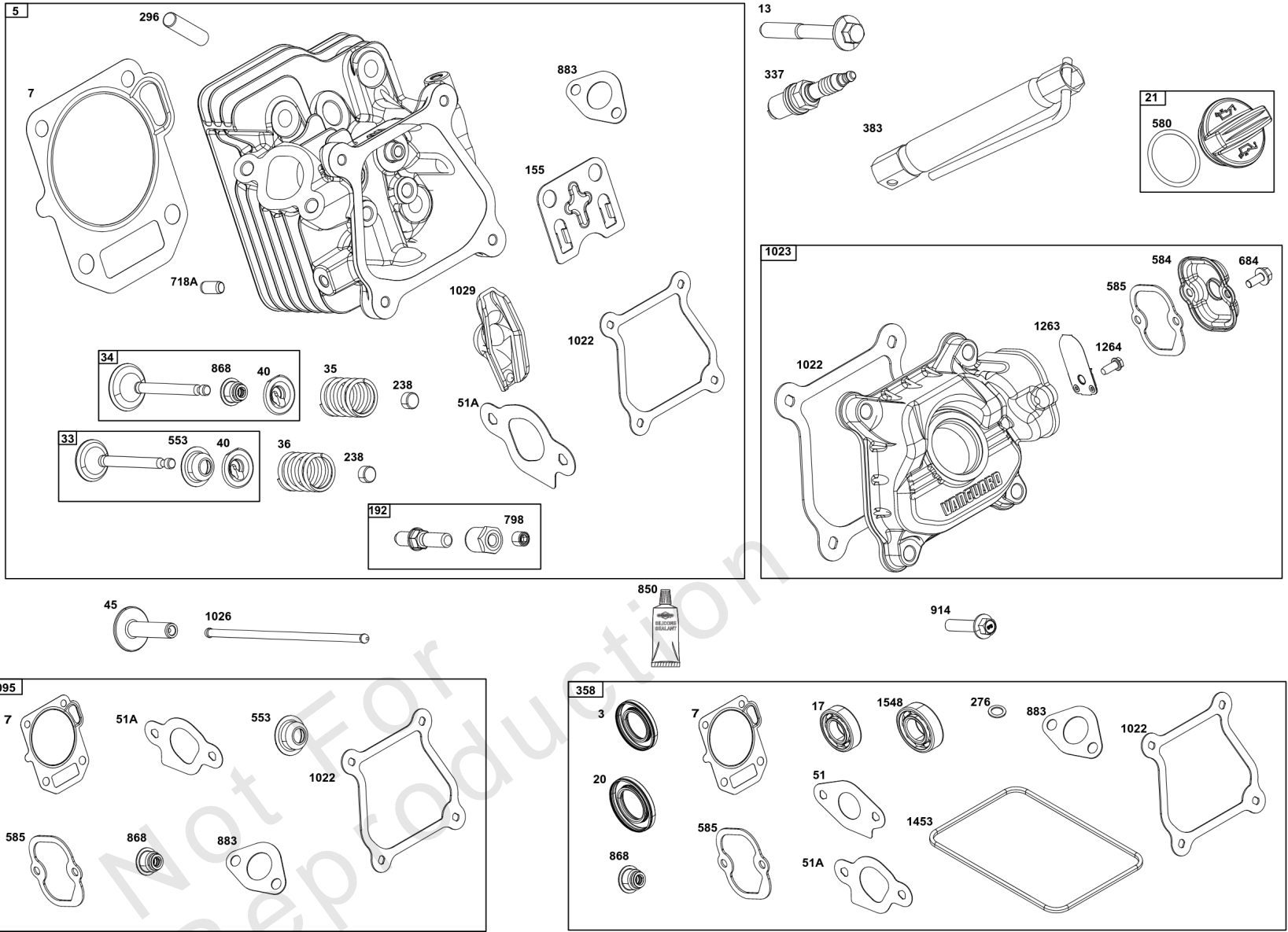


Cylinder Group

REF NO	PART NO	QTY	DESCRIPTION
1	596995	1	CYLINDER ASSEMBLY
3	84002132	1	SEAL, Oil -(Magneto Side)
7	-----	1	GASKET, Cylinder Head -(Part information located in Cylinder Head Group.)
15	590678	2	PLUG, Oil Drain
17	596990	1	BEARING, Ball -(Cylinder)
20	-----	1	SEAL, Oil -(Part information located in Crankcase Cover/Sump and Lubrication Group.)
51	-----	1	GASKET, Intake -(Part information located in Carburetor Group.)
51A	-----	1	GASKET, Intake -(Part information located in Carburetor Group.)
219	597038	1	GEAR, Governor
276	797632	1	WASHER, Sealing
306	597076	1	SHIELD, Cylinder -(Bottom)
306A	597077	1	SHIELD, Cylinder -(Top)
307	590850	3	SCREW -(Cylinder Shield)
307A	590683	3	SCREW -(Cylinder Shield)
307B	590638	1	SCREW -(Cylinder Shield)
358	597139	1	GASKET SET, Engine -(Service Kits may include extra parts not specific to this engine.)
404	597030	1	WASHER -(Governor Crank)
585	-----	1	GASKET, Breather Passage -(Part information located in Cylinder Head Group.)
615	597031	1	RETAINER, Governor Shaft
616	597029	1	CRANK, Governor
718	590713	2	PIN, Locating
799	-----	2	SCREW -(Part information located in Crankcase Cover/Sump and Lubrication Group.)
850	-----	1	SEALANT, Liquid -(Part information located in Crankcase Cover/Sump and Lubrication Group.)
868	597001	1	SEAL, Valve
883	-----	1	GASKET, Exhaust -(Part information located in Exhaust Group.)
1022	-----	1	GASKET, Rocker Cover -(Part information located in Cylinder Head Group.)
1052	-----	1	SENSOR, Oil -(Part information located in Crankcase Cover/Sump and Lubrication Group.)
1453	-----	1	SEAL, Air Cleaner Cover -(Part information located in Air Cleaner Group.)
1548	-----	1	BEARING, Ball -(Part information located in Crankcase Cover/Sump and Lubrication Group.)

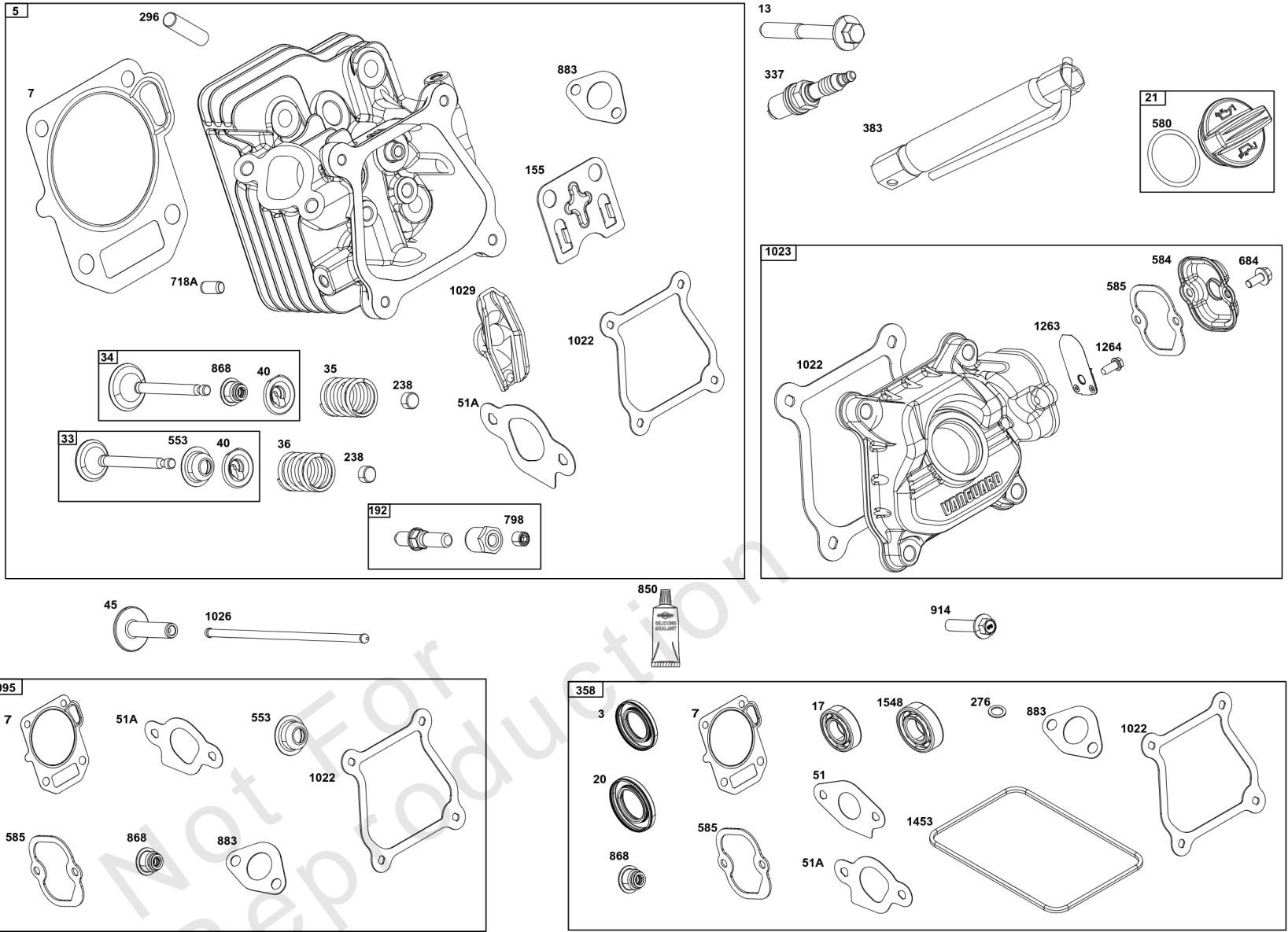
Cylinder Head Group

Mfg. No: 12V337-0139-F1



Cylinder Head Group

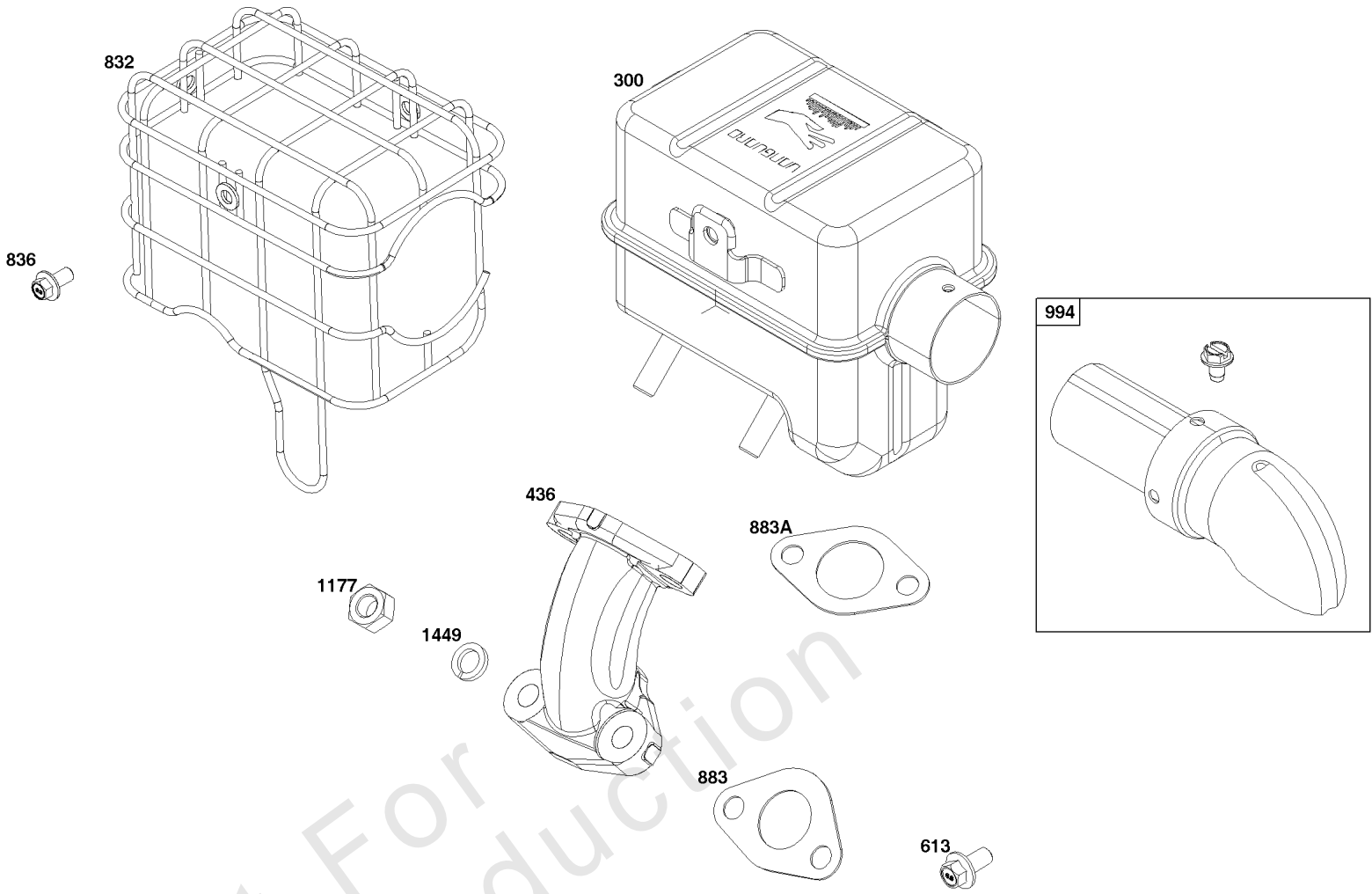
REF NO	PART NO	QTY	DESCRIPTION
3	-----	1	SEAL, Oil -(Part information located in Cylinder Group.)
5	596998	1	HEAD, Cylinder
7	597007	1	GASKET, Cylinder Head
13	597008	4	SCREW -(Cylinder Head)
17	-----	1	BEARING, Ball -(Part information located in Cylinder Group.)
20	-----	1	SEAL, Oil -(Part information located in Crankcase Cover/Sump and Lubrication Group.)
21	597014	1	CAP, Oil Fill
33	597005	1	VALVE, Exhaust
34	597004	1	VALVE, Intake
35	597002	1	SPRING, Valve -(Intake)
36	597002	1	SPRING, Valve
40	590654	2	RETAINER, Valve
45	591449	2	TAPPET, Valve
51	596769	1	GASKET, Intake
51A	596770	1	GASKET, Intake
155	592874	1	PLATE, Cylinder Head
192	597006	2	ADJUSTER, Rocker Arm
238	590649	2	CAP, Valve
276	-----	1	WASHER, Sealing -(Part information located in Carburetor Group.)
296	590631	2	STUD -(Muffler)
337	597383	2	PLUG, Spark
358	-----		GASKET SET, Engine -(Part information located in Cylinder Group.)
383	19576S	1	WRENCH, Spark Plug
553	597003	1	RETAINER, Valve Spring
580	809894	1	SEAL, O-Ring -(Oil Fill Cap)
584	597011	1	COVER, Breather Passage
585	597010	1	GASKET, Breather Passage
684	597012	2	SCREW -(Breather Passage Cover)
718A	590637	2	PIN, Locating
798	597000	2	SCREW -(Rocker Arm)
850	-----	1	SEALANT, Liquid -(Part information located in Crankcase Cover/Sump and Lubrication Group.)
868	597001	1	SEAL, Valve
883	597072	1	GASKET, Exhaust
914	597016	4	SCREW -(Rocker Cover)
1022	597015	1	GASKET, Rocker Cover
1023	597009	1	COVER, Rocker
1026	597017	2	ROD, Push
1029	596999	2	ARM, Rocker
1095	597140	1	GASKET SET, Valve -(Service Kits may include extra parts not specific to this engine.)
1263	697124	1	REED, Breather
1264	793453	1	SCREW -(Breather Reed)



Cylinder Head Group

REF NO	PART NO	QTY	DESCRIPTION
1453	-----	1	SEAL, Air Cleaner Cover -(Part information located in Air Cleaner Group.)
1548	-----	1	BEARING, Ball -(Part information located in Crankcase Cover/Sump and Lubrication Group.)

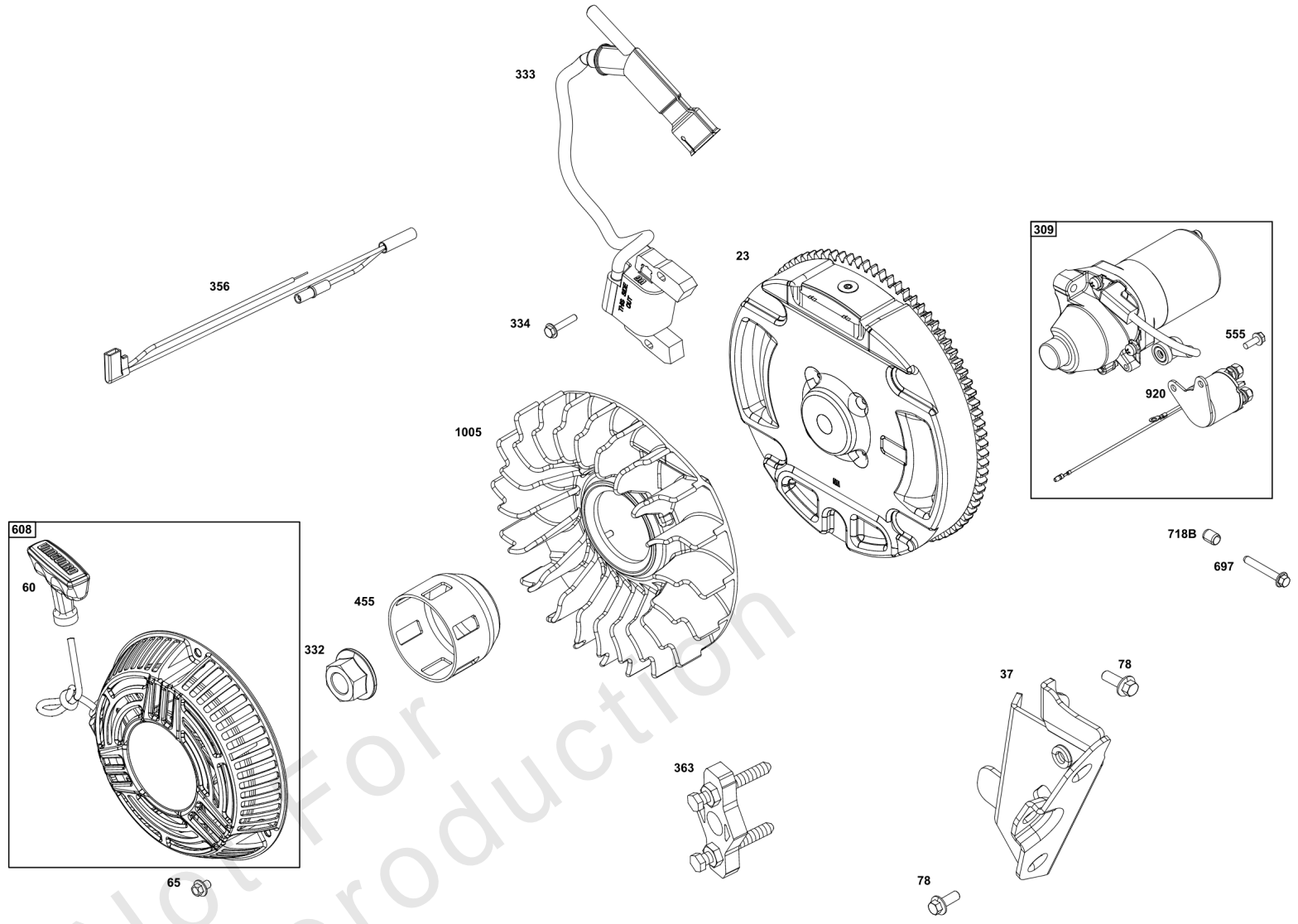
Not For Reproduction



Exhaust Group

REF NO	PART NO	QTY	DESCRIPTION
300	597582	1	MUFFLER
436	597585	1	MANIFOLD, Exhaust
613	590850	1	SCREW -(Muffler)
832	597583	1	GUARD, Muffler
836	590850	3	SCREW -(Muffler Guard) (Muffler)
883	597072	1	GASKET, Exhaust
883A	597586	1	GASKET, Exhaust
994	593207	1	ARRESTOR, Spark
1177	590632	2	NUT -(Muffler)
1449	590633	2	WASHER

Not For Reproduction

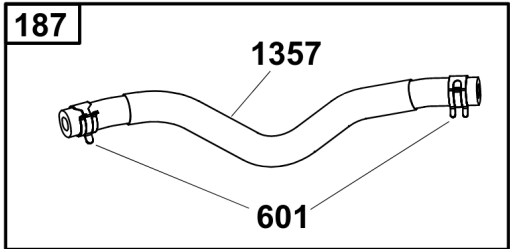
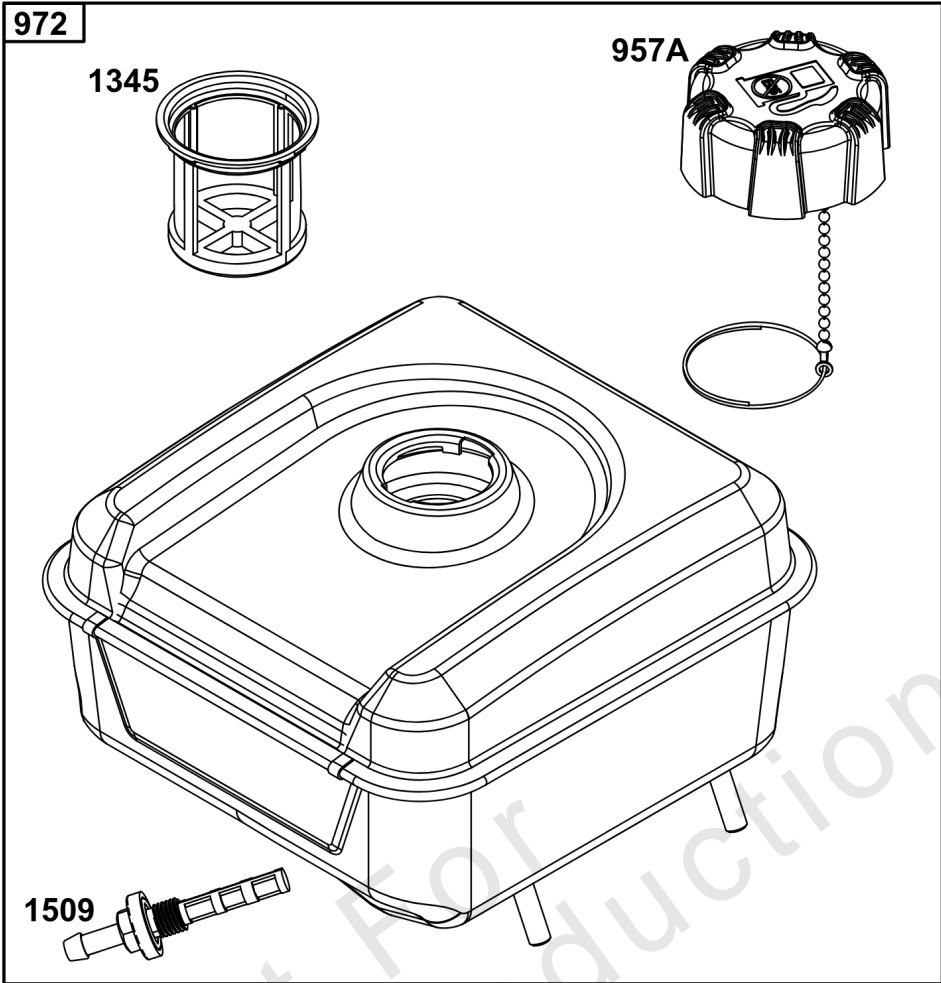


Not for
Reproduction

Flywheel, Ignition, and Starter Group

REF NO	PART NO	QTY	DESCRIPTION
23	597087	1	FLYWHEEL
37	597081	1	GUARD, Flywheel
60	597080	2	GRIP, Starter Rope
65	590683	2	SCREW -(Rewind Starter)
78	590850	3	SCREW -(Flywheel Guard)
309	595424		MOTOR, Starter
332	591988	1	NUT
333	84003520	1	COIL, Ignition
334	699477	2	SCREW -(Magneto Armature)
356	597054	1	WIRE, Stop
363	19203	1	PULLER, Flywheel
455	597088	1	CUP, Flywheel
608	596772	2	STARTER, Rewind
697	793450		SCREW
718B	591466		PIN, Locating
1005	794273	1	FAN, Flywheel

Not For Reproduction



Fuel Supply Group

REF NO	PART NO	QTY	DESCRIPTION
187	597058	1	LINE, Fuel
190	591476	1	SCREW -(Fuel Tank)
601	791850	1	CLAMP, Hose
705	707919	2	NUT -(Fuel Tank)
957A	596765	1	CAP, Fuel Tank
972	597057	1	TANK, Fuel
1345	792917	1	FILTER, Filler Neck
1357	597058	1	LINE, Fuel
1509	797346	1	OUTLET, Tank

Not For Reproduction

Replacement Engine - US & Canada

REF NO	PART NO	QTY	DESCRIPTION
	12V3370139F1		Replacement Engine
	-----		Idle Speed: 1450
	-----		Top No-Load Speed: 3600

Not For Reproduction

