

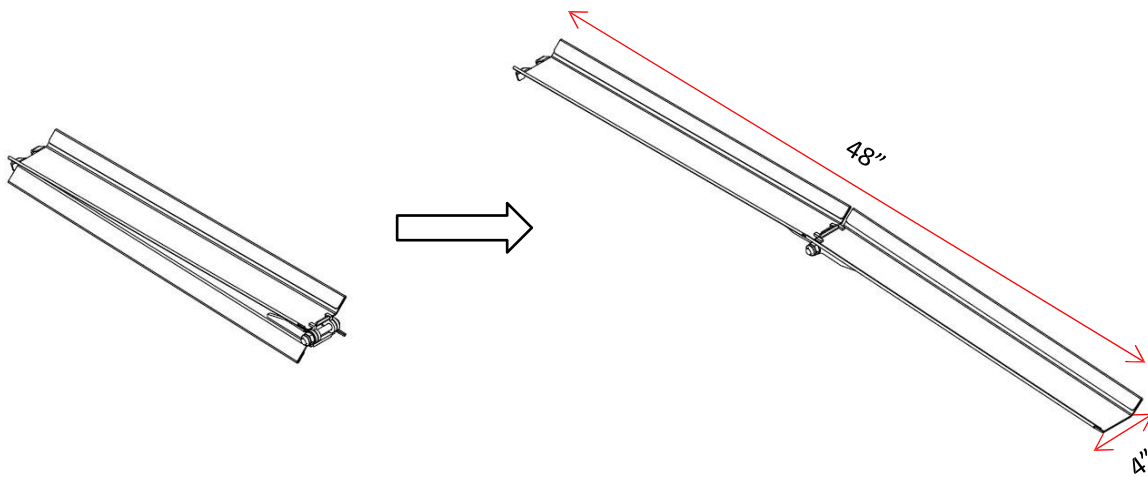


# Loading Ramp for E-Bike Rack (Detachable)

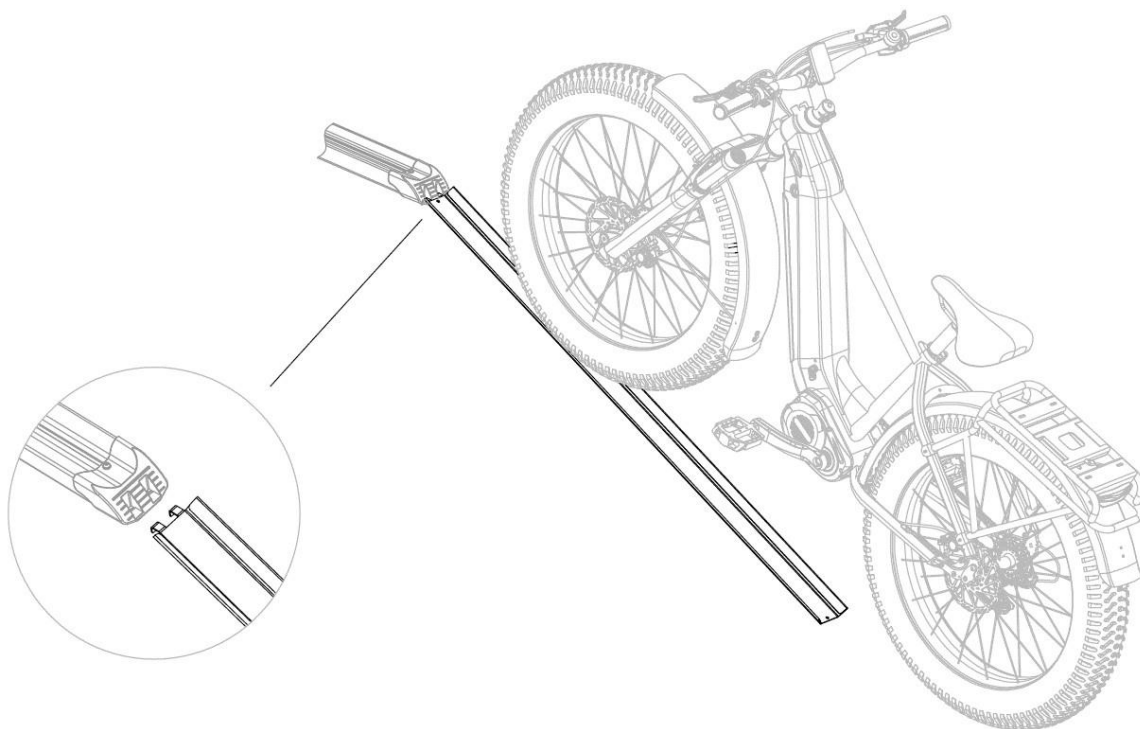
## Item #2077

*Compatible with Heininger Advantage Deluxe E-Bike Rack #2075*

Step 1:



Step 2:



## **One-Year Limited Liability, Warranty Policy**

*Heininger Holdings, LLC, warrants the original owner of each new Advantage product against defects in workmanship and materials for one year from the date of purchase (at retail) of the product, provided it is purchased from an authorized Advantage dealer. This Limited One Year Warranty is not transferable and shall only apply to normal and ordinary use, for which the product was intended.*

*Warranty claims are to be made directly to Heininger Holdings and must be accompanied by a sales receipt or another appropriate proof-of-purchase document. Should this product or any part or accessory be determined by Heininger Holdings, to be defective and covered by this Limited One Year Warranty, it will be repaired or replaced at the option of Heininger Holdings, without further charge. The cost of transportation to and from the Heininger warranty inspection facility for repair or replacement of any defective part and/or accessory and any related charges is not covered by this warranty, and is to be paid by the owner.*

*The warranty does not cover normal wear and tear, worn and normal use cosmetic blemishes, improper assembly, lack of maintenance, or custom alteration/installation of any parts or accessories not originally intended or compatible with the product as sold. The warranty does not apply to damage or failure resulting from an accident, abuse or neglect.*

*This warranty is given in lieu of all other expressed warranties, implied warranties, including without limitation implied warranties of merchandising ability and fitness for a particular purpose, and are limited to the duration and specification of this warranty. In no event shall Heininger Holdings, be liable for damages in excess of the purchase price of the Advantage product, for any loss of use, loss of time, inconvenience, commercial loss, lost profits or savings or any incidental, special, consequential, direct or indirect damages arising out of the use or inability to use such product, to the full extent as such may be disclaimed by the law. Labor charges for part changeover are not covered by this warranty.*

Advantage is a registered trademark of Heininger Holdings, LLC, Bellingham, WA

**If you have questions: Call 888-722-5240**

**Email: [info@heininger.biz](mailto:info@heininger.biz)**

Office Hours Monday-Friday 8 A.M. – 4 P.M. Pacific Time

**[WWW.HEININGER.BIZ](http://WWW.HEININGER.BIZ)**

