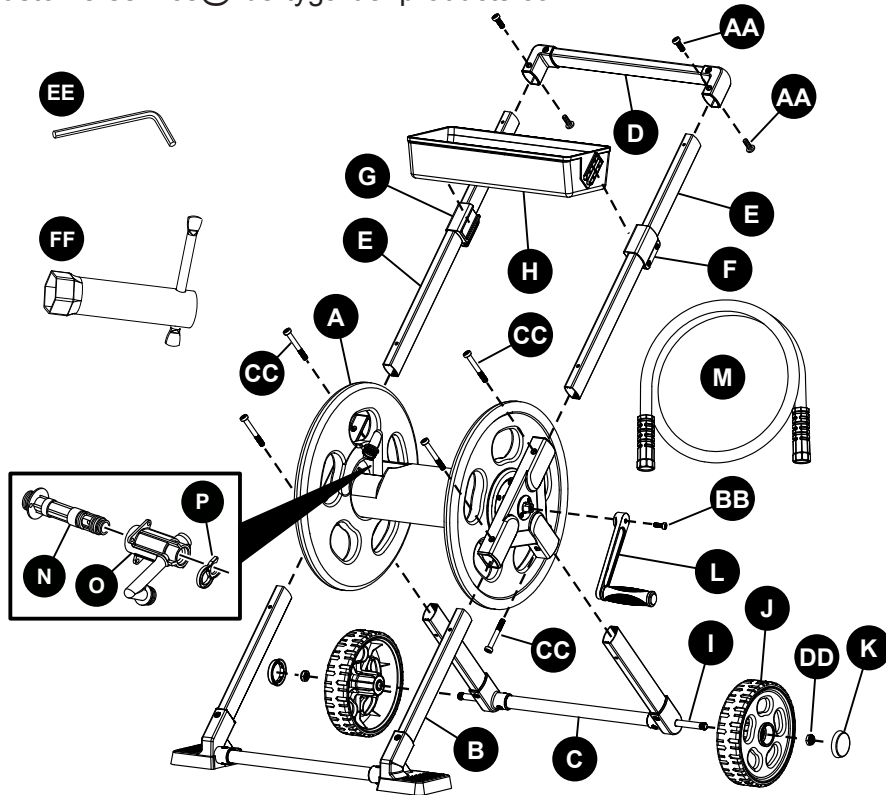


PARTS LIST

Questions, problems, missing parts? Before returning the product to your retailer, call our customer service department toll free at 1-866-820-5805, 9 a.m. - 5 p.m., EST, Monday - Friday. You may also contact us at customerservice@libertygardenproducts.com



MODEL # 304 PARTS LIST			
ITEM	DESCRIPTION	PART #	QTY
AA	Screw (M6 x 10 mm)	304-1	4
BB	Allen Screw (M6 x 16 mm)	304-2	1
CC	Screw (M6 x 58-12 mm)	304-3	6
DD	M12 x 8 Axle Nut	304-4	2
EE	4 mm Allen Wrench	304-5	1
FF	19 x 80 mm Socket Wrench	304-6	2
A	Spool Assembly	304-7	1
B	Front Support Feet	304-8	1
C	Back Support Feet	304-9	1
D	Top Push Handle	304-10	1
E	Push Handle Tube	304-11	2
F	Basket Bracket, Left	304-12	1
G	Basket Bracket, Right	304-13	1
H	Basket	304-14	1
I	Axle	304-15	1
J	Tire	304-16	2
K	Tire Cap	304-17	2
L	Crank Handle	304-18	1
M	Leader Hose	304-19	1
N	Supply Tube	304-20	1
O	Exit Tube	304-21	1
P	Locking Clip	304-22	1

SAFETY INFORMATION

Please read and understand this entire manual before attempting to assemble, operate or install the product.

● **READ ALL INSTRUCTIONS CAREFULLY AND BE SURE THEY ARE FULLY UNDERSTOOD BEFORE USING THE HOSE CART.**

- Distribute the hose evenly over the surface of the drum assembly.
- **DO NOT** exceed maximum water pressure of 125 PSI.
- **DO NOT** expose the unit to freezing temperatures while water remains in the plumbing system. Freezing temperatures can crack the exit tube causing damage to the unit. Drain water from the hose cart and store indoors during freezing temperatures.
- **DO NOT** leave water running through the hose cart while not in use or unsupervised.
- **DO NOT** consume water from garden hose, it is not rated for human consumption.
- Turn off water source when not in use. Do not leave hose pressurized when not in use.
- If any parts become damaged, broken, or misplaced, do not use the hose cart until the parts have been repaired or replaced.

DO NOT use the hose cart on surfaces that can cause damage to the wheels.

It is recommended that the hose cart be inspected for damage before each use.

KEEP THESE INSTRUCTIONS FOR FUTURE REFERENCE.

SAFETY INFORMATION (continued)

⚠ WARNING

This product contains one or more chemicals known in the state of California to cause cancer and birth defects or reproductive harm. Wash hands after handling.

LIBERTY GARDEN PRODUCTS LIMITED WARRANTY

(Effective January 15, 2024)

This limited warranty is applicable to each original end-customer (hereinafter "Customer") purchasing the model Explorer 304 two-wheel hose cart consisting of the structural metal frame and spool (hereinafter the "Structural Frame") and various other non-frame components (hereinafter the "Non-Frame Parts") sold by Liberty Garden Products, Inc. (hereinafter "Company") for Customer's own use and not for resale. The Structural Frame and Non-Frame Parts are collectively referred to herein as the "Products".

For additional details of the Liberty Garden Products Limited Warranty, scan the QR code below or visit our website.

www.libertygardenproducts.com



Liberty Garden Products
Updated 01/15/2024

© 2023 Liberty Garden Products, Inc. All Rights Reserved, Kernersville, NC



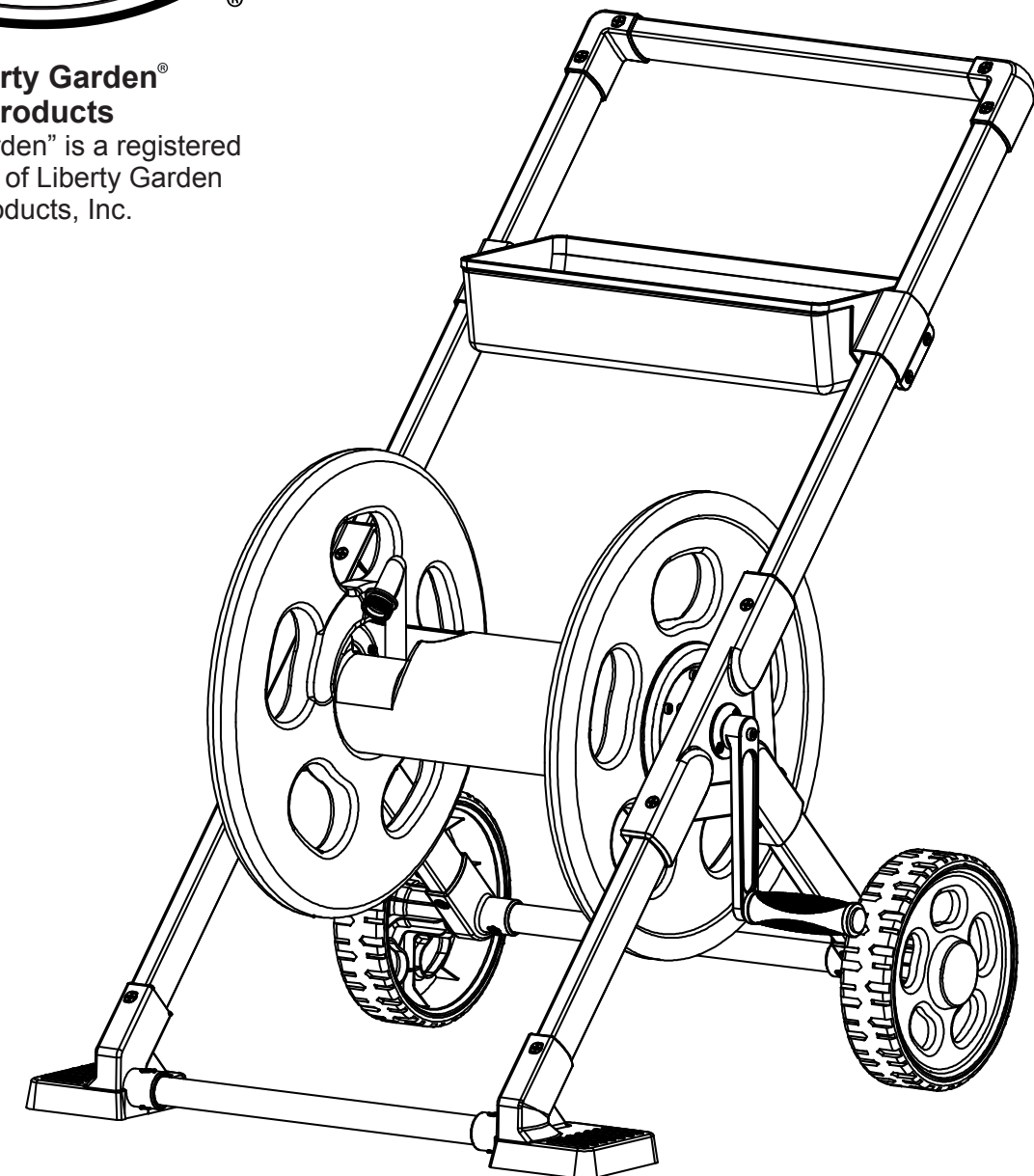
EXPLORER™

Two-Wheel Hose Cart Owner's Manual

MODEL #304

Liberty Garden® Products

"Liberty Garden" is a registered trademark of Liberty Garden Products, Inc.



**SCAN QR CODE FOR
ASSEMBLY VIDEO**

LIBERTY GARDEN PRODUCTS, INC.

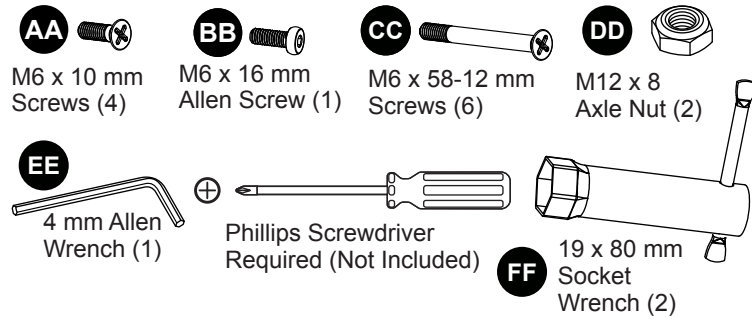
1161 SOUTH PARK DRIVE, KERNERSVILLE NC 27284

WWW.LIBERTYGARDENPRODUCTS.COM

HARDWARE CONTENTS AND REQUIRED TOOLS

The hardware displayed below is included with the product.

NOTE: (Drawings are not to scale)



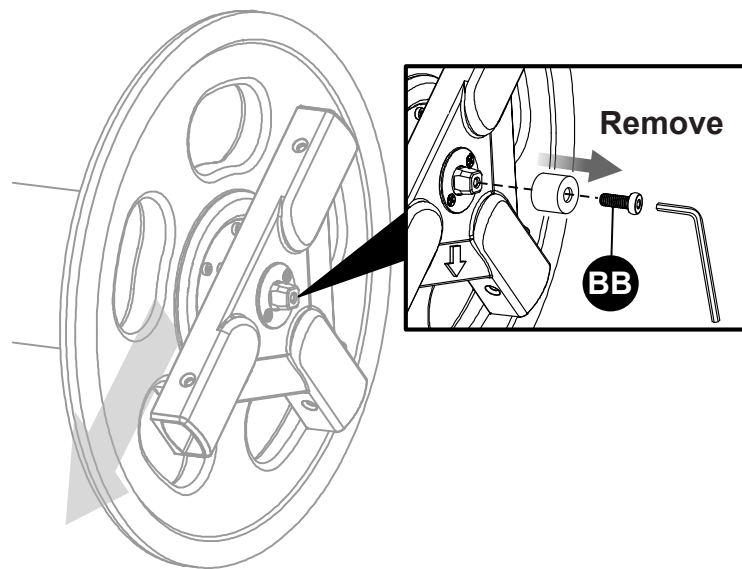
PREPARATION

Before beginning assembly of product, make sure all parts are present. Compare parts with package contents list and hardware content list. If any parts are missing **Do Not** attempt to assemble product.

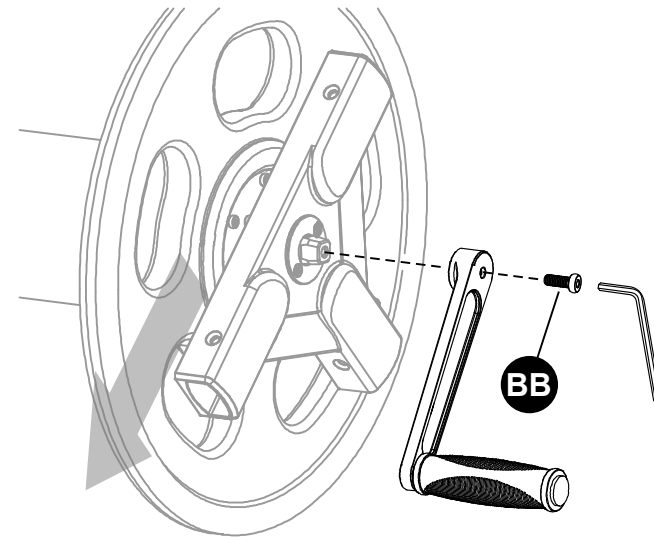
Estimated Assembly Time: 15 minutes

ASSEMBLY INSTRUCTIONS

1 **BB** x1 Protective Cap

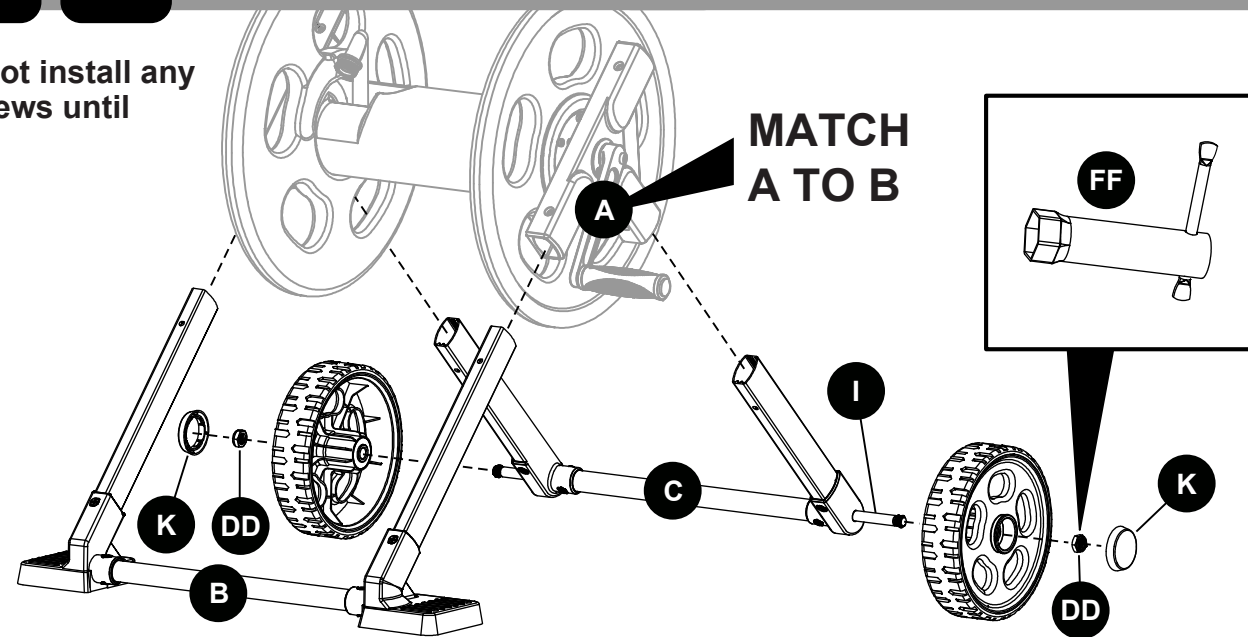


2 **BB** x1
NOTE: DO NOT overtighten the allen screw.

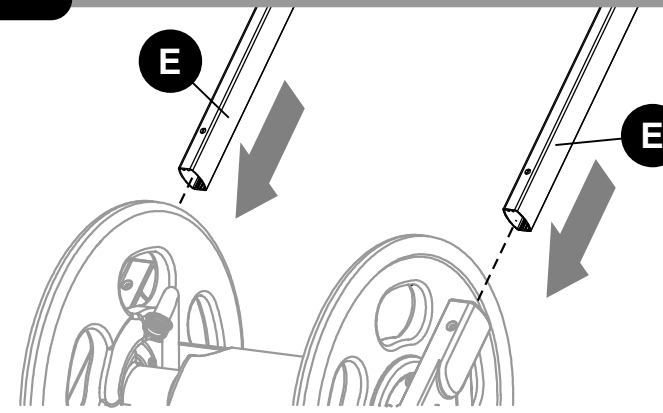


3 **4** **5** **DD** x2

NOTE: Do not install any fastener screws until Step 10.

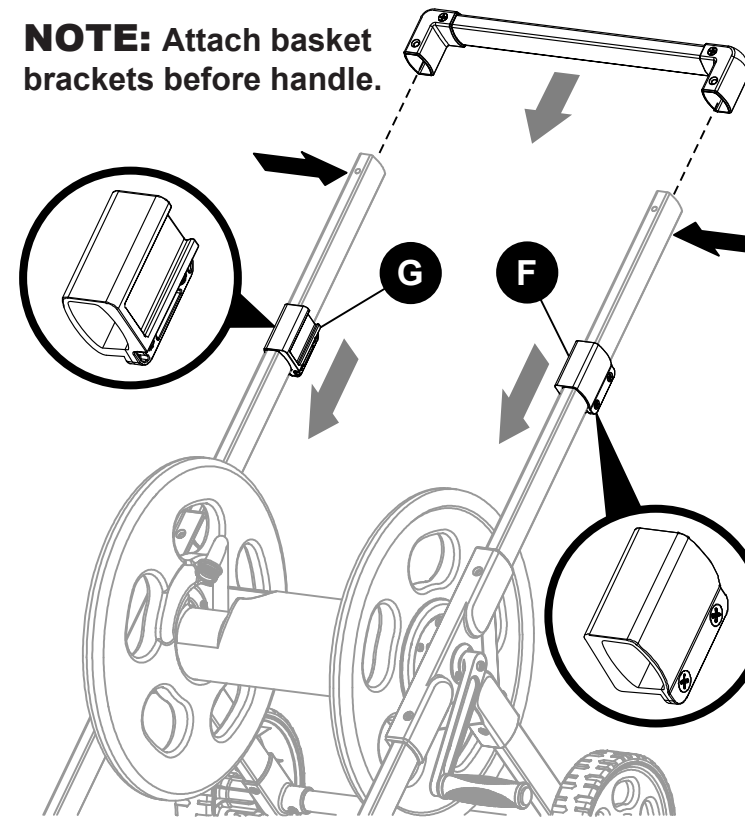


6 MATCH HOLE ALIGNMENT



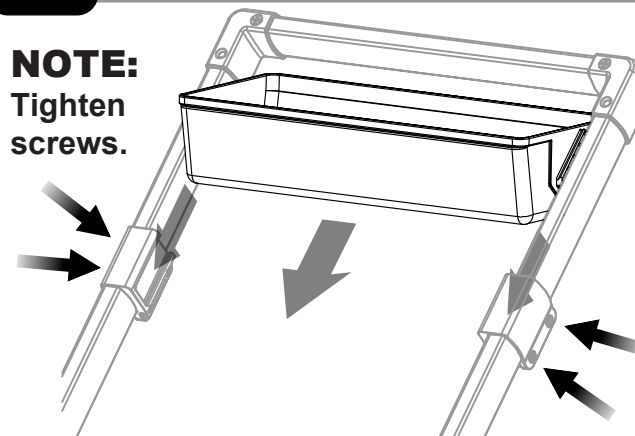
7 **8**

NOTE: Attach basket brackets before handle.

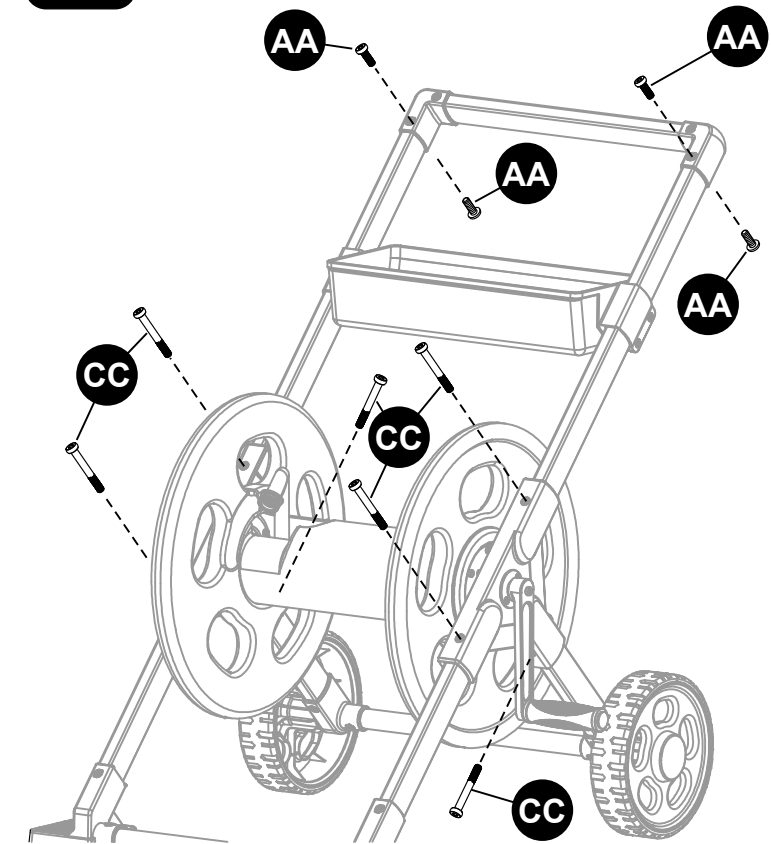


9

NOTE: Tighten screws.



10 **AA** x4 **CC** x6



Screw (CC) goes in from underneath.

11

Note: Leader hose (M) attaches to supply tube and outdoor spigot.

