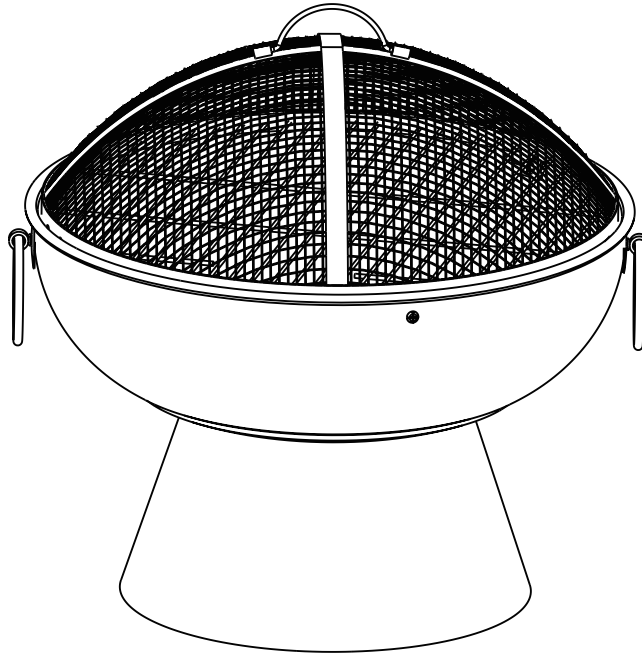




# INSTRUCTION MANUAL

**22" OUTDOOR FIREPIT**  
MODEL NO. FP-R22



**PLEASE RETAIN THIS INSTRUCTION MANUAL FOR FUTURE REFERENCE.**



Price Zone dba  
**International**

COMMERCE, CA 90040  
SUPPORT@GASONE.COM  
TOLL FREE: 1.800.698.5070  
CUSTOMER SERVICE HOURS:  
M-F: 9 AM-5 PM PST

**FOR CALIFORNIA CONSUMERS ONLY:**



**WARNING**

CANCER AND REPRODUCTIVE HARM.  
GO TO [WWW.P65WARNINGS.CA.GOV](http://WWW.P65WARNINGS.CA.GOV)

**FOR VIDEO INSTRUCTIONS, SCAN QR CODE USING A SMART CAMERA**



# TABLE OF CONTENTS

WARRANTY INFORMATION	2
WARNINGS	3
OPERATION	4
PARTS LIST	5
ASSEMBLY	6

# WARRANTY INFORMATION

## LIMITED WARRANTY

GASONE warrants that for the period of one year this product, will be free from defects in material and workmanship. GASONE, at its option, will repair or replace this product or any component of the product found to be defective during the warranty period. Replacement will be made with a new or remanufactured product of component. If the product is no longer available, replacement will be made with a similar product of equal or greater value. This is your exclusive warranty. This warranty is valid for the original retail purchaser from the date of initial retail purchase and is not transferable. Keep the original sales receipt. Proof of purchase is required to obtain warranty performance. GASONE dealers, service centers, or retail stores selling GASONE products do not have the right to alter, modify or in any way change the terms and conditions of this warranty.

This warranty does not cover normal wear of parts or damage resulting from any of the following: negligent use or misuse of the product, use contrary to the operating instructions, disassembly, repair or alteration by anyone other than GASONE or an authorized service center. Further, the warranty does not cover acts of God, such as fire, flood, hurricanes and tornados.

GASONE shall not be liable for any incident or consequential damages caused by the breach of any express or implied warranty or conditions. Except to the extent prohibited by applicable law, any implied warranty of merchantability or fitness for a particular purpose is limited in duration to the duration of the above warranty or conditions. Some states, provinces or jurisdictions do not allow the exclusion or limitation of incidental or consequential damages or limitations on how long an implied warranty lasts, so the above limitations or exclusion may not apply to you. This warranty gives you specific legal rights, and you may also have other rights that vary from state to state or province to province. How to obtain warranty service: do not return this product to the store. Call 1(800) 698-5070 or write us at GASONE, 6211 Randolph St. Commerce, CA 90040. Be prepared to give your name, address, model number, description of the problem, phone number, and proof of retail purchase (sales slip).

## DISCLAIMERS

Apart from the warranty and disclaimers as described in this warranty statement. There are explicitly no further warranty or voluntary declarations of liability given here which go beyond the statutory liability applying to us.

The present warranty statement also does not limit or exclude situations or claims. Where we have mandatory liability as prescribed by statute.

You assume the risk and liability for loss, damage, or injury to you and your property and/or others and their property arising out of the misuse or abuse of the product or failure to follow instruction in the accompanying owner's manual.

This warranty applies to private single family home or apartment use only and does not apply to grills used in commercial, communal, or multi-unit settings such as restaurants, hotels, resorts, or rental properties.

We may from time to time change the design of its products. Nothing contained in this warranty shall be construed as obligating to incorporate such design changes into previously manufactured products. Nor shall such changes be construed as an admission that previous designs were defective. This product is intended FOR OUTDOOR USE ONLY. DO NOT use indoors.

- **WARNING: ALWAYS** keep children and pets away from the product when in use.
- **NEVER** leave a burning fire unattended.
- **DANGER** of carbon monoxide poisoning - **NEVER** light this product or let it smoulder or cool down in confined spaces.
- **DO NOT** use this product in a tent, caravan, car, cellar, loft or on a boat.

# WARNINGS

Product labels and warnings affixed with adhesive or other permanent means must never be removed; doing so will invalidate the product's regulatory compliance and its warranty.

- To prevent damage or surface cracking, do not drop this appliance.
- This appliance will become very hot in use, do not move it during operation.
- Do not use this appliance in a confined and/or habitable space e.g. houses, tents, caravans, motor homes or boats. Danger of carbon monoxide poisoning fatality.
- Keep children and pets away.
- Do not use this appliance as a furnace.

## **FIRE HAZARD:**

- This appliance must be installed on a secure level base before use.
- Do not use this appliance on wooden decking or any other flammable surfaces such as dry grass, wood chips, leaves or decorative bark, etc.
- Do not use this appliance on artificial grass or other surfaces that are not heat resistant.
- Hot embers may be emitted whilst in use.
- Ensure that this appliance is positioned at least 2 meters away from any flammable materials and has a minimum clearance of 2 meters from overhead and adjacent surroundings.
- Never leave a hot or burning fire unattended.

# OPERATION

## CARE AND USE

- When lifting or moving this appliance, never drag it; seek assistance as necessary.
- As this appliance has components made from steel and/or cast iron, the surface will age and develop surface rust over time once it is exposed to natural weather elements. This is to be expected and does not constitute an appliance fault.
- For safety reasons, it is recommended to inspect this appliance before each use for signs of fatigue and damage. Be sure to replace any appliance that has reached the end of its natural life.
- If this appliance is left outside temporarily a suitable cover must be used, once it has cooled completely.
- For long-term storage this appliance must be stored in an environment that is free from frost, rain and excessive moisture.
- This appliance could mark or stain a patio; to protect against this place onto a separate patio slab or brick base.
- The cooking grill should be cleaned with a solution of washing up liquid in warm water. It is not suitable for cleaning in a dishwasher.

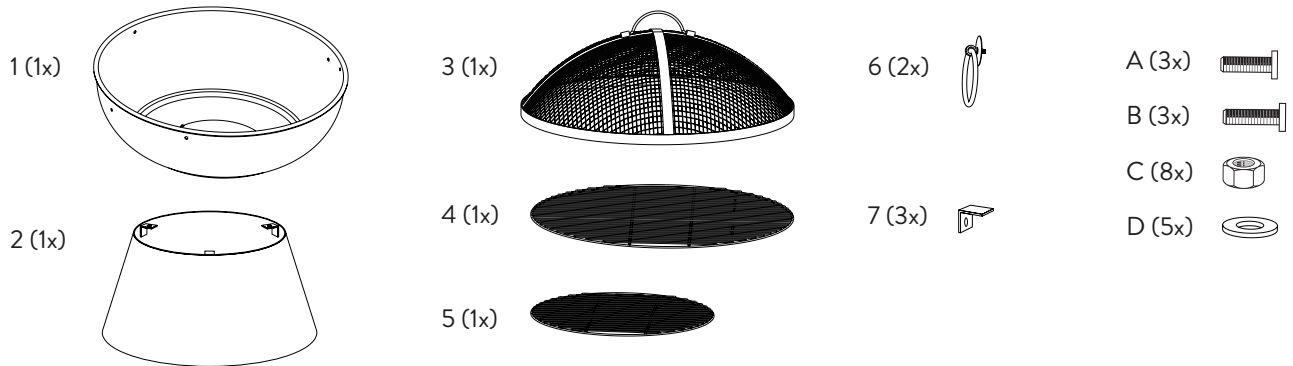
## SOLID FUEL TYPES & LEVELS

- For outdoor heating, the following fuel types may be used with this appliance: untreated wood, logs and easylogs.
- For cooking food, it is essential to use lumpwood charcoal.
- Do not burn coal in this appliance.
- Do not overload with fuel: it is recommended to fill only to half capacity of the fire bowl or fuel burning area.
- The recommended quantity of fuel must never be exceeded by greater than 50%.

## LIGHTING, REFUELLING & EXTINGUISHING

- **WARNING!** Do not use spirit or petrol for lighting or re-lighting! Use only firelighters complying to EN 1860-3.
- Prepare a stack of loosely crumpled newspaper or eco firelighters (or compatible, tested to EN 1860-3) into the fuel-burning area.
- Pile finely split, dry, firewood on top of the paper.
- Add half of the fuel leaving access to light the paper.
- Light the paper or firelighters using long safety matches or a long-reach lighter. Once the fire is established add the remaining fuel.
- Always use heat resistant gloves, tested to EN 407, when adding fuel, or when using any safety tool (where supplied).
- Do not drop or throw fuel into the appliance as this can cause cracks/fractures to the appliance.
- To extinguish the fire after use: stop adding fuel and allow the fire to die; alternatively douse it with sand. Do not use water as this may damage the appliance, and will also create excess ash particles.

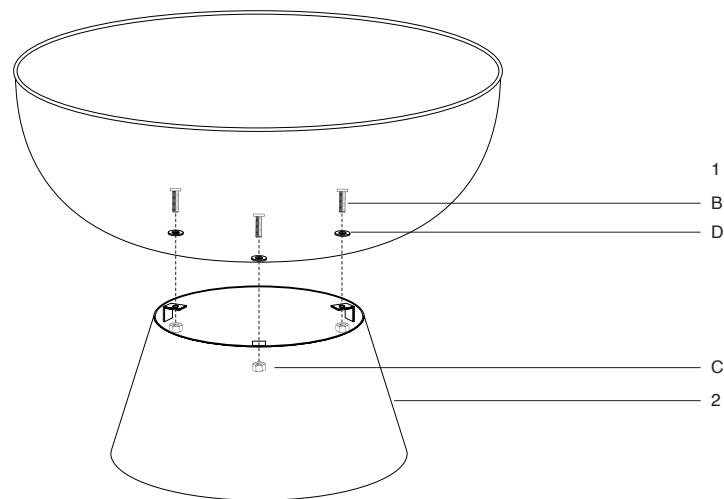
# PARTS LIST



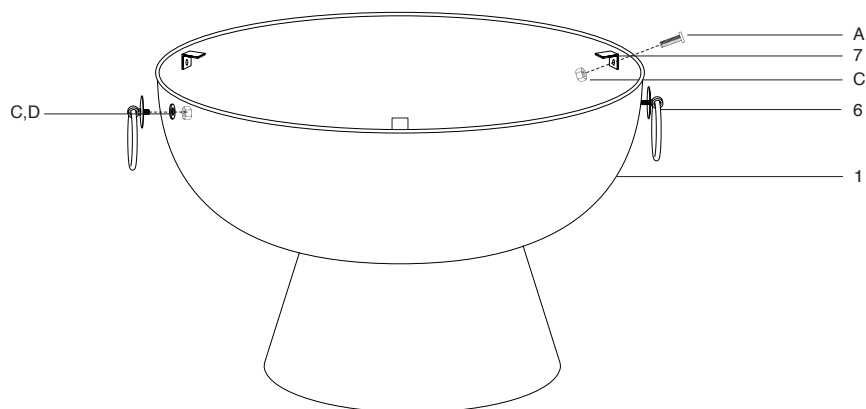
Prior to assembly, read the instructions carefully. Check all parts against this parts list. Carry out assembly on a soft surface to avoid scratching the paint. Please retain this information for future reference.

# ASSEMBLY

**STEP 1:** Using 3 x screws, washers, nuts (B,C,D) connect firebowl (1) and base (2).



**STEP 2:** Using 3 x screws, nuts (A, C) connect grill support (7) to fire bowl (1). Using 2 x washers, nuts (C,D) connect handles (6) to fire bowl.



## ASSEMBLY (CONT).

**STEP 3:** Place log grate (5), cooking grill (4), and mesh cover (3).

