

# my first garden™

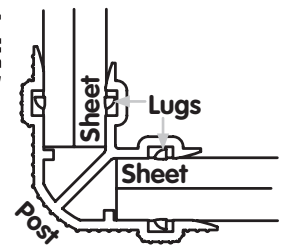
Fun outdoor learning.

AGES  
3+



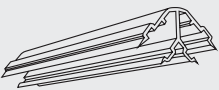

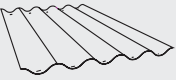
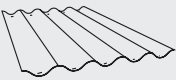
**SNAPTITE**  
World's Easiest Assembly System  
UNIQUE PATENTED SYSTEM

Ensure that all metal lugs on the corrugated steel panel align with the PVC post grooves.



## Important Tips!

- ✿ As some parts may have sharp edges it is advisable to wear gloves when assembling your My First Garden.
- ✿ Sensible shoes are highly recommended.
- ✿ Unpack the carton then carefully identify and check off all the parts against the checklist below.
- ✿ Packed corrugated panels may be difficult to separate. Gently tapping them on a hard surface with their corrugations running vertically will easily loosen them.
- ✿ Prior to filling your My First Garden make sure all components are correctly assembled on a level surface.

Component	Description	Qty	Check
	PVC post 90-410	4	
	PVC post cap 90CAP	4	
	Large corrugated steel panel GBS40050	2	
	Small corrugated steel panel GBS40030	2	

- 1** Slide post onto sheet, ensuring the SNAPTITE lugs are aligned with the grooves in the post. Ensure corrugations run horizontally and the painted side is facing out. Keep the panel and post straight to avoid jamming.

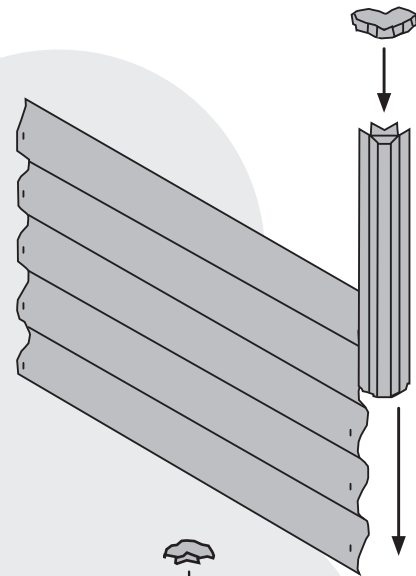
Place a post cap on the post and apply firm pressure to lock in place.

- 2** Repeat this process until all panels are joined together! Well done! You're now ready to fill your My First Garden and start growing.



**Sustainable tip:** Recycle the packaging by using it as your garden bed liner. This will help retain moisture in the soil and encourage your plants to grow faster!

**1**



**2**

