



CANOPIA®  
by PALRAM

# HOW TO ASSEMBLE

## RUBICON™ SERIES

8x8 / 2.4x2.4 | 8x13 / 2.4x3.7 | 8x18 / 2.4x5.2

### IMPORTANT!

Please read these instructions carefully before starting assembly.  
Keep these instructions in a safe place for future reference.

[www.canopia.com](http://www.canopia.com)



604904\_2312\_MV11

AVAILABLE MODELS

8x8 / 2.4x2.4



PRIMARY UNIT  
8x8 / 2.4x2.4

1 BOX



8x13 / 2.4x3.7



PRIMARY UNIT  
8x8 / 2.4x2.4

1 BOX



1 EXTENSION UNIT  
8x5 / 2.4x1.5

1 BOX



8x18 / 2.4x5.2



PRIMARY UNIT  
8x8 / 2.4x2.4

1 BOX



2 EXTENSION UNITS  
8x5 / 2.4x1.5

2 BOXES



## HAVE A CONCERN? WE CAN HELP.

Before returning your purchase:

Please take a look at our  
"How to Assemble" video guide.  
Scan the QR Code below or go to  
[canopia.shop/Assemble-Rubicon8](https://canopia.shop/Assemble-Rubicon8)

You didn't find what you  
were looking for?  
We can help at  
[canopia.shop/support](https://canopia.shop/support)

Still can't find what you  
are looking for?  
Please see next page for  
local customer care.

## HABEN SIE BEDENKEN? WIR KÖNNEN HELFEN.

Bevor Sie Ihren Kauf zurücksenden:

Schauen Sie sich bitte unsere  
„Videoanleitung Zusammenbau“ an.  
Scannen Sie den QR-Code unten  
oder besuchen Sie  
[canopia.shop/Assemble-Rubicon8](https://canopia.shop/Assemble-Rubicon8)

Haben Sie nicht gefunden,  
wonach Sie gesucht haben?  
Unter [canopia.shop/support](https://canopia.shop/support)  
können wir helfen.

Sie haben noch nicht  
gefunden wonach Sie suchen?  
Auf der nächsten Seite  
finden Sie den Kontakt zu  
unserem lokalen Kundendienst.

## TIENE ALGUNA INQUIETUD? PODEMOS AYUDARLE.

Antes de retornar su compra:

Por favor mire nuestro video de  
montaje "How to Assemble".  
Escanée el código QR abajo o  
[canopia.shop/Assemble-Rubicon8](https://canopia.shop/Assemble-Rubicon8)

No encontré lo que  
estaba buscando?  
Podemos ayudarle en  
[canopia.shop/support](https://canopia.shop/support)

Aún no encontré lo que buscaba?  
Por favor vea en la siguiente  
página el Servicio Local al Cliente.

## UN SOUCI? UNE QUESTION? NOUS POUVONS VOUS AIDER.

Avant de renvoyer ce produit:

Jetez un coup d'oeil à notre  
Vidéo d'Assemblage.  
Scannez le code QR ci-dessous  
ou rendez vous sur  
[canopia.shop/Assemble-Rubicon8](https://canopia.shop/Assemble-Rubicon8)

Vous n'avez pas trouvé  
ce que vous cherchez ?  
Nous pouvons vous aider sur  
[canopia.shop/support](https://canopia.shop/support)

Insatisfait/e ou sans réponse ?  
Merci de contacter notre Service  
Client local ci-dessous.



UK • IE	FR • BE • IT • NL • PT • ES
01302-380775	+33-169-791-094
DE • AT • LUX • LICH	US
+49-180-522-8778	877-627-8476
IL	CA
04-848-6800	905-5646007
AUS	AUS - Greenhouses only
1800-955-855	03-9544-6-999
ZA	NZ
011-397-7771	0800 800 880
SZ	GLOBAL CONTACT (Rest of World)
062-287-33-77	+972-4-848-6816

WE ARE  
HERE TO  
HELP

[canopia.com/contact-us](https://canopia.com/contact-us)

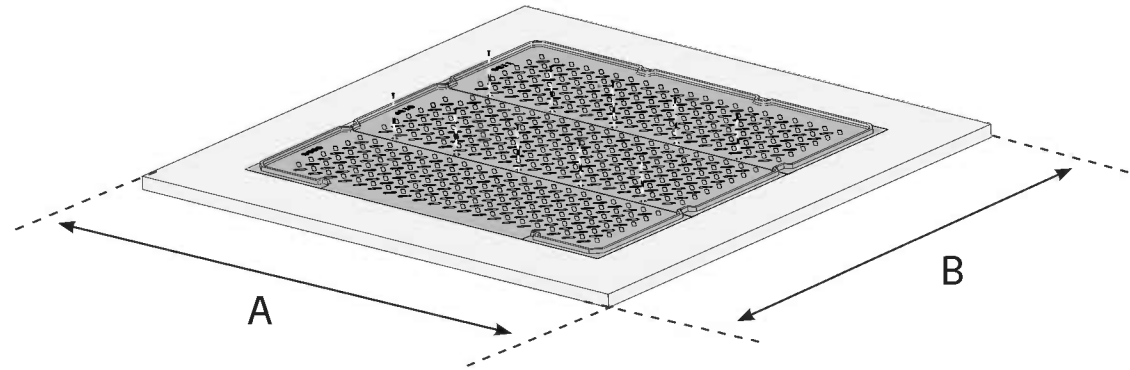


SCAN ME

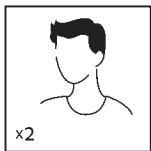
CR • SL
0599-37-057   info@ms-viscom.com
DK
07-575 42 70   post@nshnordic.com
CH • HU • SK
0493-523-523   servis@garland.cz
PL
Infolinia: 801-011-929   22-349-93-36 kontakt@ogrodosfera.pl
FI
Neuvonta: 09-6866720 Tuki   Varaosat: 050-3715350 www.horizontenterprises.fi   tuki@horizontenterprises.fi
CY
0224-971-13   alpaco@alpacodomica.com www.alpacodomica.com

## BASE DIMENSIONS RUBICON

MODEL	8x8 / 2.4 x 2.4	
	8x13 / 2.4 x 3.7	
	8x18 / 2.4 x 5.2	
WIDTH	A	229 cm / 7'6"
LENGTH	B	237 cm / 7'9"
		337 cm / 11'
		528 cm / 17'3"



## TOOLS & EQUIPMENT



3 people needed

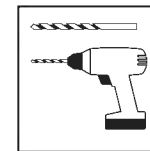
x2



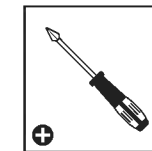
Work gloves



Liquid Soap



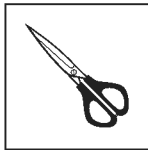
Electric Drill  
With Drill Bit  
4 mm | 5/32"  
5 mm | 13/64"



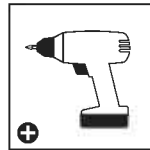
Phillips head  
Screwdriver



Wrench  
7 mm | 17/64"  
10 mm | 3/8"



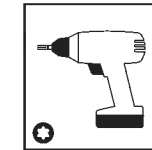
Scissors



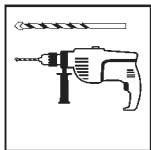
Cordless drill  
Phillips head



Ladder



Cordless Drill -  
Torx Head T40



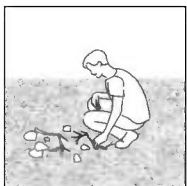
Electric Drill  
With Drill Bit  
8 mm | 5/16"  
10 mm | 3/8"

# SITE PREPARATION & FOUNDATION

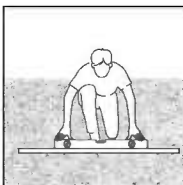
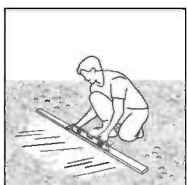
## A - PREPARE THE SITE

The product must be positioned and fixed on a flat level surface.

### 1 - Clear the site



### 2 - Level the ground

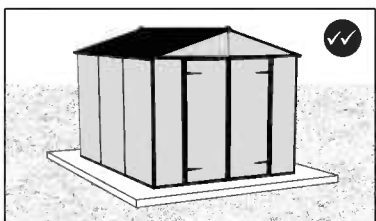
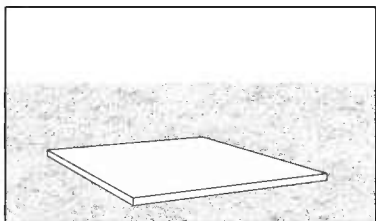


	A	1	2
FR	<b>PRÉPARER LE TERRAIN</b> Le produit doit être positionnée et fixée sur une surface plane	Déblayer le terrain	Niveler le sol
DE	<b>VORBEREITUNG DES UNTERGRUNDES</b> Das Produkt muss auf einem flachen Untergrund aufgestellt und befestigt werden.	Standort säubern	Untergrund ausgleichen und nivellieren
ES	<b>PREPARE EL SITIO</b> El producto debe colocarse y fijarse en una superficie plana y nivelada.	Limpie el sitio	Nivele el terreno
SV	<b>FÖRBEREDA OMRÅDET</b> Produkt måste placeras på en fast och plant underlag.	Rensa området	Platta marken
NN	<b>FORBERED OMRÅDET</b> Produkt må plasseres og festes på et flatt underlag.	Rydd området	Flat ut bakken
FI	<b>VALMISTELE RAKENNUSALUE</b> Pinnan on oltava täysin tasainen ja suora, ja perustan oltava kiinteä.	Raivaa rakennusalue	Tasoita maa
DA	<b>FORBERED OMRÅDET</b> Produkt skal placeres og opføres på en plan flade.	Ryd stedet	Gør jorden jævn
NL	<b>TERREIN VOORBEREIDEN</b> Het grondoppervlak moet perfect vlak en waterpas zijn.	Maak het terrein vrij	Egaliseer de grond
IT	<b>PREPARARE IL SITO</b> Il prodotto deve essere posizionato e fissato su una superficie piana	Sgombrare il sito	Livellare il terreno
SK	<b>PRIPRAVTE SI MIESTO</b> Výrobok musí byť postavený a upevnený na rovnom povrchu.	Vyčistite miesto	Vyrovnajte povrch
SL	<b>PRIPRAVITE LOKACIJO</b> Izdelek mora biti nameščen in pritrjen na ravno in ravno površino.	Očistite lokacijo	Poravnajte tla
ET	<b>VALMISTAGE ETTE MAATÜKK</b> Tootetuleb paigaldada ja kinnitada tasasele pinnale	Puhastage maatükk	Tasandage maapinda
HU	<b>TEREP ELŐKÉSZÍTÉSE</b> A termék építeni, egyenes vízszintes és felületesen helyezze el.	Tisztítsa meg a területet	Egyengesse vízszintesre a talajt
PL	<b>PRZYGOTUJ MIEJSCE</b> Produkt musi być umieszczona i umocowana na płaskiej i równej powierzchni.	Oczyść miejsce	Wyrównaj podłoże
RU	<b>ПОДГОТОВЬТЕ ПЛОЩАДКУ</b> Продукт нужно расположить и зафиксировать на плоской ровной поверхности.	Очистите площадку	Выворняйте грунт
LAT	<b>SAGATAVOJIET VIETU</b> Produktu jānovieto un jānostiprina uz plakanas gludas virsmas.	Notīriet vietu	Notīdiniet zemi
CS	<b>PŘIPRAVTE SI MÍSTO</b> Produkt musí být umístěn a upevněn na rovném povrchu	Vyčistěte místo	Vyrovnejte povrch
HR	<b>PRIPREMITE LOKACIJU</b> Proizvod mora biti postavljen i pričvršćen na ravnu površinu.	Očistite površinu	Poravnajte tlo
RO	<b>PREGĂTIȚI SITE-UL</b> Produsul trebuie poziționat și fixat pe o suprafață plană.	Curățați suprafața locației de instalație	Nivelați pământul
LIT	<b>PARUOŠKITE VIETĄ</b> Produktą reikia išlygiuoti ir įrengti ant plokščio bei lygaus paviršiaus.	Išvalykite vietą	Išlygiuokite pagrindą
BG	<b>ПОДГОТВЕТЕ МЯСТОТО</b> Продуктът трябва да бъде позициониран и фиксиран върху равна повърхност.	Почистете мястото	Изравнете повърхността
HE	<b>הכן את האתר</b> את המוצר יש להקים על קרקע יציבה ומפולסת בכדי שהוא יתפקד כראוי	פנה את האתר	פלס את הקרקע

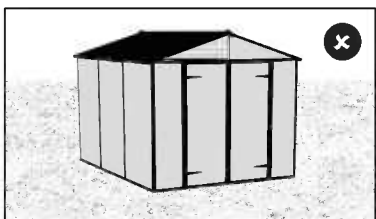
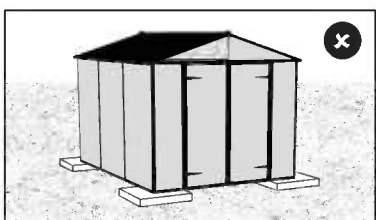
## B - CHOOSE YOUR FOUNDATION TYPE

For a foundation, we recommend using three material types :  
Concrete / Pressure treated wood / wood deck / Paver blocks

### Solid foundation



### Not possible

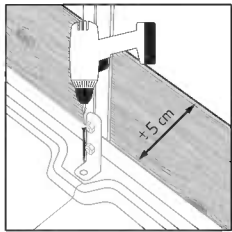
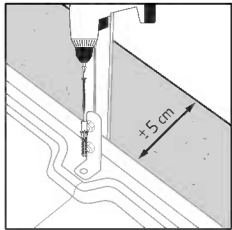


\* The size of the product displayed is for illustration purposes only and may not reflect the size of your product.

	B	Solid foundation Preferred ✓	Not possible ✗
FR	<p><b>CHOISIR VOTRE TYPE DE FONDATIONS</b> Pour la fondations, nous recommandons d'utiliser trois types de matériaux : Béton / Bois traité sous pression / plancher en bois / Blocs de pavés. * La taille de la produit affichée ici est uniquement à titre d'illustration et ne reflète pas forcément la taille de votre produit.</p>	Une fondation solide Recommandé	Pas possible
DE	<p><b>FUNDAMENTWAHL</b> Als Fundament stehen Folgende Materialien zur Auswahl (Empfehlung): Beton / Druckbehandeltes Holz / Holzdeck / Pflastersteine. * Die Größe des abgebildeten Produkt dient nur zur Veranschaulichung und entspricht möglicherweise nicht der Größe Ihres Produkt.</p>	Fester Fundament Optimal	Nicht möglich
ES	<p><b>ELIJA EL TIPO DE CIMENTACIÓN</b> Como cimentación, recomendamos usar tres tipos de materiales: Hormigón / Madera prensada / Piso de madera / Adoquín de hormigón. * El tamaño del producto que se muestra tiene un propósito meramente ilustrativo y puede no reflejar el tamaño de su producto.</p>	cimentación sólida Preferido	No es posible
SV	<p><b>VÄLJ GRUNDTYP</b> Som stiftelse rekommenderar vi tre typer av material: Betong / Tryckbehandlat trä / trægolv / Beläggingssten * Produkt storlek är endast för att illustrera och visar inte rätt storlek på ditt produkt.</p>	Solid stiftelse Föredraget	Omöjligt
NN	<p><b>VELG FUNDAMENTTYPE</b> Som fundament anbefaler vi tre typer materiell: Betong   Trykkbehandlet tre/tredekke   Belegningsstein * Produktets størrelse er bare for illustrasjon, og viser ikke korrekt størrelse på ditt produkt.</p>	Solid fundament Foretrukket	Ikke mulig
FI	<p><b>VALITSE RAKENNUSPOHJAN TYYPPI</b> Rakennuspohjaksi suosittellemme kolmea materiaalityyppiä: Betoni   Painekäsitelty puu/puukansi   Kiveyselementit * Esillä olevan tuote koko on tarkoitettu vain havainnollistamistarkoituksiin eikä se välttämättä vastaa tuote kokoa.</p>	Kiinteä rakennuspohja Suositeltu	Ei mahdollinen
DA	<p><b>VÆLG DIN FUNDAMENTTYPE</b> Til en fundament anbefaler vi at bruge tre materialetyper: Beton / Trykbehandlet træ / trædæk / Udlægningsblokke * Størrelsen på det viste produkt er kun til illustration og afspejler muligvis ikke størrelsen på dit produkt.</p>	Solid fundament Foretrukket	Ikke muligt
NL	<p><b>KIES UW TYPE FUNDERING</b> Als fundering adviseren wij drie materiaalsoorten te gebruiken: Beton   Onder druk behandeld hout/houten dek   Bestratingsblokken * De grootte van de getoonde Product dient enkel ter illustratie en weerspiegelt mogelijk niet de grootte van uw eigen Product.</p>	Massieve fundering Voorkeur	Niet mogelijk
IT	<p><b>SCEGLIERE IL TIPO DI FONDAMENTA</b> Come fondamenta consigliamo tre tipi di materiali: Calcestruzzo / Legno pressato / Pavimenti in legno / Calcestruzzo per pavimentazioni. * La dimensione della Prodotto visualizzata è solo a scopo illustrativo e potrebbe non rispecchiare le dimensioni della vostra Prodotto.</p>	Fondamenta solide Preferito	No possible
RO	<p><b>ALEGEȚI TIPUL DE FUNDAȚIE</b> Pentru fundație, vă recomandăm să folosiți aceste trei tipuri de materiale: Beton / Lemn tratat sub presiune/Teren din lemn/ Blocuri de pavaj * Dimensiunile produsului prezentat sunt doar cu titlu ilustrativ, și este posibil să nu reflecte dimensiunile produsului dvs.</p>	Fundație solidă Preferat	Nu este posibil
HE	<p><b>בחר את סוג היסודות שלך</b> בתור בסיס אנו ממליצים לעשות שימוש בשלושה סוגי חמרים: בטון   עץ שעבר טיפול הקשייה/דק עץ   בלוקים לריצוף * גודל המוצר המוצג הינו להדגמה בלבד ולא מייצג את גודל המוצר שלכם.</p>	קרקע מוצקה מועדף	בלתי אפשרי

## C - ANCHOR TO FOUNDATION

### ① - On a solid foundation



Secure the product to the foundation of your choice using screws & plugs or masonry anchors supplied.

Make sure you have at least 5 cm / 2" between the product base and the edges of your foundation - **on all sides.**

	C	①
FR	<p><b>ANCRAGE A LA FONDATION</b></p> <p>Fixez le produit à la fondation de votre choix, à l'aide de vis et de chevilles appropriées ou d'ancrages en maçonnerie fournis. Assurez-vous qu'il y a au moins 5 cm entre la base du produit et le périmètre de votre fondation - <u>de tous les côtés.</u></p>	Sur une fondations solide
DE	<p><b>BEFESTIGUNG AM FUNDAMENT</b></p> <p>Mit geeigneten Dübeln und Schrauben oder Mauerwerksankern, je nach gewähltem Fundamenttyp mitgeliefert. Stellen Sie sicher, dass zwischen der Basis des Produkts und den Kanten Ihres Fundaments auf <u>allen Seiten</u> mindestens 5 cm Abstand sind.</p>	Befestigen Sie das Produkt auf einem festen Fundament
ES	<p><b>ANCLAJE A LOS CIMENTOS</b></p> <p>Asegure el producto a los cimientos de su elección, usando tornillos y tacos adecuados o anclajes de mampostería suministrados. Asegúrese de tener al menos 5 cm   2" entre la base del producto y el perímetro de su cimiento - <u>en todos los lados.</u></p>	Sobre una cimentación sólida
SV	<p><b>FEST FÖR STIFTELSE</b></p> <p>På en solid bas, säkra produkten till den grund du valt med lämpliga skruvar, pluggar eller väggfästen ingår. Se till att du har minst 5 cm   2" mellan produktens bas och kanterna på fundamente - <u>på alla sidor.</u></p>	På en solid stiftelse
NN	<p><b>FEST TIL FUNDAMENT</b></p> <p>Sikrer du produktet til fundamentet du har valgt med passende skruer, pluggar eller murfester inkludert. Forsikre deg om at du har minst 5 cm   2" mellom bunnen av produktet og kantene på fundamentet ditt - <u>på alle sider.</u></p>	På en solid fundament
FI	<p><b>RAKENNUSPOHJAN ANKKURI</b></p> <p>Mikäli tuote rakennetaan kiinteälle rakennuspohjalle, kiinnitä tuote valitsemaasi rakennuspohjaan sopivilla ruuveilla &amp; tapeilla tai muurausankkureilla toimitukseen. Varmista, että sinulla on vähintään 5 cm   2" tilaa tuotteen alustan ja perustuksen reunojen välillä - <u>kaikilla puolilla.</u></p>	Kiinteälle rakennuspohjalle
DA	<p><b>FASTGØRELSE TIL FUNDAMENTET</b></p> <p>Skal du fastgøre produktet til det fundament, du vælger, ved hjælp af passende skruer &amp; stik eller murankre medfølger. Skal du sørge for at have mindst 5 cm   2" mellem produktrammen og kanterne på dit fundament - <u>på alle sider.</u></p>	På et solidt underlag
NL	<p><b>VERANKERING AAN FUNDERING</b></p> <p>Zet het product op een stevige basis vast op de fundering van uw keuze, met geschikte schroeven &amp; pluggen of metselwerkankers meegeleverd. Zorg ervoor dat u minstens 5 cm hebt tussen de basis van het product en de randen van uw fundering - <u>langs alle kanten.</u></p>	Op een stevige fundering
IT	<p><b>ANCORAGGIO ALLE FONDAMENTA</b></p> <p>Fissare il prodotto delle fondamenta di vostra scelta, utilizzando viti e tasselli adeguati o ancoraggi in muratura forniti. Assicuratevi di avere almeno 5 cm tra la base del prodotto e i bordi del tuo fondotinta - <u>su tutti i lati.</u></p>	Su Fundamenta solide
RO	<p><b>ANCORAJUL LA FUNDATIE</b></p> <p>Ancorați produsul pe fundația alesă folosind șuruburi și dibluri adecvate sau ancore de zidărie furnizate. Asigurați-vă că pe toate părțile aveți cel puțin 5 cm   2" între baza produsului și marginile fondului de teren.</p>	A fi ancorat numai pe o fundație solidă
HE	<p><b>ענן את הבסיס</b></p> <p>חבר את המוצר לבסיס (יסוד) שבחרת והשתמש בברגים מתאימים וסגרים, או עוגני בנאות שסופקו וודאו שיש לכם לכל הפחות 5 סמ' בין מסגרת המוצר וקצות הבסיס (היסוד) - <u>בכל הצדדים.</u></p>	על קרקע מוצקה



## SAFETY ADVICE

- It is of utmost importance to assemble all of the parts according to the directions. Do not skip any steps.
- Always wear work gloves during panel sliding.
- Always wear shoes and safety goggles when working with extruded aluminium.
- If using a step ladder or power tools make sure that you follow the manufacturer's safety advice.
- Do not touch overhead power cables with the aluminium profiles.
- Do not attempt to assemble the product in windy or wet conditions.
- Dispose of all plastic bags. Keep them out of reach of small children.
- Keep children away from the assembly area.
- Do not lean against or push the products during construction.
- Do not position your product in an area exposed to excessive winds.
- Do not attempt to assemble this product if you are tired, have taken drugs or alcohol or if you are prone to dizzy spells.
- Hot items such as recently used grills, blowtorches etc. must not be stored in the product.
- Make sure there are no hidden pipes or cables in the ground before anchoring to foundation.
- This product is designed to be used mainly as a garden shed.
- To prevent water from seeping through the floor, the product must be mounted on a raised surface from the ground.
- **Make sure to anchor the product directly to a solid foundation to increase the product's stability and wind resistance in areas with severe weather conditions. Make sure that there are no obstructions between the assembly area and the final position of the product. The Canopia Anchoring kit is available for purchase separately.**

## CARE & MAINTENANCE

- When your product needs to be cleaned, use a soft cloth and rinse with cold clean water.
- DO NOT use acetone, abrasive cleaners or other special detergents to clean the panels.
- Clean the product once assembly is complete.

## BEFORE ASSEMBLY

- Selecting a site:
  - Choose your site carefully before beginning assembly.
  - Choose a sunny position away from overhanging trees.
  - The product must be positioned and fixed on a flat level surface.
- The product must be secured directly to a solid foundation.
- This is a multi-part assembly best achieved by two people. Allow at least half a day for the assembly process.
- Take all components & parts out of the packages. Sort the parts and check against the content parts list.
- Parts should be laid out close at hand. Keep all small parts (screws etc.) in a bowl so they do not get lost.
- Please note multi-sided profiles are used in this product. As a result some holes in the profiles are not used during assembly.
- Please review entire instructions before starting. Carry out the assembly steps in exact order.
- Please consult your local authorities if any permits are required prior to constructing the product.
- Please ensure you have sufficient side space for inserting the roof panels during the assembly process.

## IMPORTANT!

- Firmly connect the product to a level surface immediately after completion of the assembly.
- Anchoring this product to the ground is essential to its stability and rigidity. It is required to complete this stage in order for your warranty to be valid.
- During assembly use a soft surface below the parts to avoid scratches and damages.
- We recommend checking for restrictions or covenants for building this product in your area. In addition we advise to check if you need to submit any forms or if any permit is required prior to building the product.

## DURING ASSEMBLY

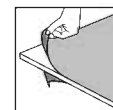
During assembly, you will encounter different icons for different products. Please see below for more information:



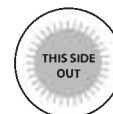
You may use silicone lubricant spray on the frame in order to help you slide the panels into the profiles. Do not spray the panels.



Use a rubber mallet if necessary.



Make sure you remove covering plastic film from both sides of the panel.



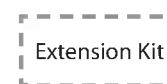
All panels with the stamped words "THIS SIDE OUT" must be facing out to create full UV protection. Remove plastic sticker as panels are locked in place.



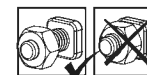
This icon indicates that the installer should be inside the product.



This icon indicates that the installer should be outside the product.



Steps marked with dashed outlines refer to Extensions only. Some of the steps are irrelevant for an assembly of a single product. When assembling a single or an extended product, some parts may be surplus.



These 2 icons below indicate if screw's tightening is required or not.



Temporary tightening of a few screws may be needed to prevent a profile from sliding out. Tighten all screws once assembly is completed.

## CONSEILS DE SECURITE

- Très important ! Veuillez suivre scrupuleusement les instructions de ce manuel et réaliser les étapes dans l'ordre énoncé.
- Nous recommandons vivement le port de gants de protection pendant le montage.
- Portez toujours des chaussures de travail et des lunettes de protection lorsque vous travaillez des pièces en aluminium extrudé.
- Lors de l'utilisation d'une échelle ou d'outils électriques, assurez-vous de bien suivre les consignes de sécurité du fabricant.
- Veillez à ne pas toucher de câbles aériens avec les profilés en aluminium.
- N'essayez pas de monter la produit s'il y a du vent ou s'il fait humide.
- Jetez tous les sacs en plastique en appliquant les règles de sécurité et maintenez-les hors de portée des jeunes enfants.
- Eloignez les enfants de la zone d'assemblage.
- Ne vous appuyez pas contre la produit et ne la poussez pas pendant le montage.
- Ne positionnez pas la produit dans un endroit trop exposé au vent.
- N'essayez pas de monter la produit si vous êtes fatigué, si vous êtes sous l'effet de drogues, de médicaments ou d'alcool ou encore si vous êtes sujet aux vertiges.
- Les objets chauds tels qu'un barbecue, un chalumeau ou autre article ayant été récemment utilisés, ne doivent pas être rangés dans la produit.
- Assurez-vous qu'il n'y a pas de tuyaux ou de câbles cachés dans le sol avant d'ancrer à la fondation.
- Ce produit a été conçu pour être principalement utilisé comme abris de jardin.
- Pour éviter que leau ne s'infiltrer par le sol, le produit doit être monté sur une surface surélevée par rapport au sol.
- **Assurez-vous d'ancrer le produit directement sur une surface solide pour augmenter sa stabilité et sa résistance au vent, en particulier dans les zones soumises à des conditions météorologiques extrêmes. Veillez à ce qu'il n'y ait pas d'obstacles entre la zone de montage et la position finale du produit. Le kit d'ancrage Canopia est disponible à l'achat séparément.**

## ENTRETIEN &amp; MAINTENANCE

- Pour nettoyer votre produit, utilisez un chiffon doux et rincez à l'eau claire et froide.
- NE PAS utiliser d'acétone ni de produits nettoyants ou autres détergents spéciaux pour nettoyer les panneaux clairs.
- Nettoyez le produit une fois le montage termine.

## AVANT L'ASSEMBLAGE

- Choisir un endroit :
  - Choisissez votre site avec soin avant de commencer l'assemblage.
  - Choisissez un endroit ensoleillé loin des arbres en saillie.
  - La produit doit être positionnée et fixée sur une surface plane.
- Le produit doit être fixé directement sur une surface solide
- Il s'agit d'un assemblage multi parties qu'il vaut mieux réaliser à deux. Comptez au moins une demi journée pour le processus de montage.
- Retirez tous les composants des paquets. Triez les éléments et vérifiez la liste.
- Les éléments doivent se trouver à portée de main. Gardez tous les petits éléments (vis etc.) dans un bol pour ne pas les perdre.
- Veuillez noter que des coupes multi faces sont utilisées dans cette produit. C'est pourquoi certains trous dans les coupes ne sont pas utilisés pendant le montage.
- Veuillez vérifier toutes les instructions avant de commencer. Procédez aux étapes de montage dans l'ordre exact.
- Veuillez consulter les autorités locales au cas où des permis sont nécessaires pour la construction du produit.
- Veuillez vous assurer que vous disposez d'un espace latéral suffisant pour insérer les panneaux de toit pendant le processus d'assemblage.

## IMPORTANTE!

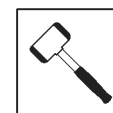
- Connectez du produit fermement à une surface nivelée après l'achèvement de l'assemblage.
- L'ancrage du produit au sol entielle à sa stabilité et à sa rigidité, il est de plus nécessaire pour assurer la validité de votre garantie.
- Pendant le montage, placez une surface souple sous les pièces pour éviter de les érafler ou de les endommager.
- Avant d'assembler ce produit dans votre région, nous vous recommandons de vous renseigner sur les restrictions ou réglementations locales. Nous vous conseillons en outre de vérifier si vous devez soumettre des formulaires ou si un permis est requis avant de monter le produit.

## DURANT L'ASSEMBLAGE

Lors du montage, vous trouverez différentes icônes correspondant à différents produits. Pour de plus amples informations, veuillez vous référer à ce qui suit:



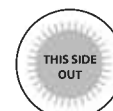
Vous pouvez utiliser un spray de lubrifiant pour silicone afin de vous aider à glisser les panneaux dans les profilés. Ne pulvérisez pas les panneaux.



Utilisez un maillet en caoutchouc si nécessaire.



Assurez-vous de retirer le film plastique couvrant des deux côtés du panneau.



Tous les panneaux estampillés "THIS SIDE OUT" doivent être orientés vers l'extérieur pour assurer une protection UV intégrale. Retirez les stickers en plastique quand les panneaux sont verrouillés et bien en place.



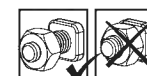
Cette icône indique que l'installateur doit être à l'intérieur du produit.



Cette icône indique que l'installateur doit être en dehors du produit.



Les étapes marquées en pointillés ne concernent que les extensions. Certaines étapes ne sont pas nécessaires pour l'assemblage d'un produit unique. Lors de l'assemblage d'un produit unique ou d'une extension, il peut rester des pièces.



Ces 2 icônes indiquent s'il est nécessaire de serrer les écrous ou non. Il peut être nécessaire de serrer temporairement certaines vis pour empêcher un profilé de se déplacer. Serrez toutes les vis une fois l'assemblage terminé.

## SICHERHEITSHINWEISE

- Es ist sehr wichtig, dass alle Teile gemäß den Anweisungen in dieser Anleitung zusammengebaut werden. Lassen Sie bitte keinen Schritt aus.
- Tragen Sie bei der Montage unbedingt Arbeitshandschuhe. Wir empfehlen Ihnen außerdem dringend, festes Schuhwerk und eine Schutzbrille zu tragen.
- Achten Sie beim verwenden einer Leiter oder Elektrowerkzeug bitte auf die jeweiligen Sicherheitshinweise des Herstellers.
- Berühren Sie mit den Aluminiumprofilen keine Oberleitungen.
- Halten Sie Kinder vom Aufbaubereich fern.
- Die Montage darf nur bei trockenem und windstillem Wetter erfolgen.  
Entsorgen Sie alle Plastikbeutel sicher und bewahren sie außerhalb der Reichweite von Kleinkindern auf.
- Während des Aufbaus sollten Sie sich nicht gegen das Produkt lehnen oder Druck ausüben.
- Suchen Sie einen windgeschützten Standort für das Produkt aus.
- Versuchen Sie nicht, dieses Produkt zu montieren, wenn Sie müde sind, Drogen oder Alkohol zu sich genommen haben oder zu Schwindelanfällen neigen.
- Heiße Gegenstände wie kürzlich benutzte Grills, Lötlampen usw. dürfen nicht im Produkt gelagert werden.
- Bevor Sie das Produkt im Fundament verankern, vergewissern Sie sich, dass sich dort keine versteckten Rohre oder Kabel befinden.
- Dieses Produkt ist hauptsächlich für die Verwendung als Gerätehäuser vorgesehen.
- Um zu verhindern, dass Wasser durch den Boden sickert, muss das Produkt auf einer vom Boden etwas erhöhten Fläche montiert werden.
- **Um die Stabilität und Windbeständigkeit des Produkts zu erhöhen, müssen Sie es direkt auf einem soliden Fundament verankern, insbesondere in solchen Gegenden, in denen die Witterungsbedingungen streng sind. Stellen Sie sicher, dass sich keine Hindernisse zwischen dem Montagebereich und der endgültigen Position des Produkts befinden. Der Canopia - Verankerungssatz kann separat erworben werden.**

## PFLEGE & WARTUNG

- Wenn Ihr Produkt gereinigt werden muss, verwenden Sie ein weiches Tuch und spülen Sie es mit kaltem, klarem Wasser ab.
- Verwenden Sie zur Reinigung der Paneele KEIN Aceton und auch keine scheuernden Reinigungsmittel oder Spezialreiniger.
- Säubern Sie das Produkt nach dem Aufbau.

## VOR DEM ZUSAMMENBAU

- Die Standortwahl:
  - Wählen Sie Ihren Standort sorgfältig, bevor Sie mit dem Aufbau beginnen.
  - Das Produkt muss auf einem flachen Untergrund aufgestellt und befestigt werden.
  - Wählen Sie eine Position abseits von überhängenden Bäumen.
- Das Produkt muss direkt auf einem festen Untergrund befestigt werden.
- Für die Montage dieses Produktes sind zwei Personen erforderlich. Sie sich für den Zusammenbau mindestens einen halben Tag Zeit.
- Packen Sie die Bauteile aus und überprüfen Sie, ob alle Teile der Liste aufgeführt sind.
- Die Teile sollten griffbereit ausgelegt werden. Bewahren Sie alle kleinen Teile (Schrauben usw.) in einer Schüssel auf, damit nichts verloren geht.
- Beachten Sie bitte, dass bei diesem Produkt mehrseitige Profile verwendet werden. Während des Zusammenbaus sind daher nicht alle Löcher in den Profilen relevant.
- Lesen Sie vor Beginn des Aufbaus die gesamte Anleitung durch. Führen Sie die Montageschritte in genauer Reihenfolge durch.
- Fragen Sie bei den örtlichen Behörden nach, ob es irgendwelche Einschränkungen für den Aufbau gibt oder Genehmigungen erforderlich sind.
- Bitte stellen Sie sicher, dass Sie zum Einfügen der Dachplatten während des Montageprozesses ausreichend Seitenraum haben.

## WICHTIG!

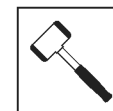
- Befestigen Sie das Produkts sofort nach Fertigstellung der Montage auf einem ebenen Untergrund.
- Die Verankerung dieses Produkts im Boden ist für seine Stabilität und Standfestigkeit unerlässlich. Eine ordentlich Befestigung ist erforderlich, damit die Garantie gültig ist.
- Legen Sie während des Aufbaus eine weiche Unterlage unter die einzelnen Teile, um Kratzer und Schäden zu vermeiden.
- Bevor Sie mit der Montage beginnen, vergewissern Sie sich bitte beim zuständigen Bauamt, ob es in Ihrer Region Einschränkungen oder Auflagen für den Bau des gewählten Produktes gibt. Wir bitten Sie außerdem zu prüfen, ob eine Genehmigung für den Bau erforderlich ist.

## DURING ASSEMBLY

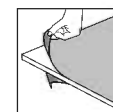
Während der Montage werden Sie verschiedene Symbole für unterschiedliche Produkte sehen. Weitere Informationen finden Sie unten:



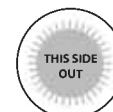
Sie können Silikonschmierspray auf den Rahmen sprühen, um das Einschleiben der Platten in die Profile zu erleichtern. Besprühen Sie nicht die Platten.



Nehmen Sie – falls nötig – einen Gummihammer zur Hilfe.



Sie die abdeckende Kunststoffolie von beiden Seiten der Verkleidung entfernen.



Alle mit den Worten "THIS SIDE OUT" versehenen Platten müssen nach außen zeigen, um den vollen UV-Schutz zu gewährleisten. Entfernen Sie die Aufkleber, sobald die Platten montiert sind.



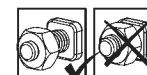
Dieses Symbol zeigt an, dass sich die installierende Person sich im Inneren des Produktes befinden sollte.



Dieses Symbol zeigt an, dass sich die installierende Person an der Außenseite des Produktes befinden sollte.



Die mit Strichlinien markierten Schritte beziehen sich nur auf Erweiterungen. Einige der Schritte sind für den Zusammenbau eines einzelnen Produkts nicht relevant. Beim Zusammenbau eines einzelnen oder eines erweiterten Produkts können einige Teile überflüssig sein.



Diese 2 Symbole unten zeigen an, ob das Anziehen der Schrauben erforderlich ist oder nicht. Das vorübergehende Anziehen einiger Schrauben kann erforderlich sein, um ein Herausrutschen des Profils zu verhindern. Ziehen Sie nach Abschluss der Montage alle Schrauben fest.

## CONSEJOS DE SEGURIDAD

- Es de suma importancia montar todas las partes de acuerdo con las instrucciones. No se salte ningún paso.
- Recomendamos firmemente el uso de guantes de trabajo durante el montaje.
- Use siempre zapatos y gafas de seguridad al trabajar con aluminio extruido.
- Al usar una escalera plegable o herramientas eléctricas asegúrese de que sigue las instrucciones de seguridad de los fabricantes.
- No toque los cables eléctricos aéreos con los perfiles de aluminio.
- No intente montar el invernadero en días de viento o días con humedad.
- Disponga todas las bolsas plásticas en lugar seguro - guárdelas fuera del alcance de niños.
- Mantenga a los niños fuera del área de montaje.
- No se apoye ni empuje el producto durante la construcción.
- No coloque su producto en un área expuesta al viento excesivo.
- No intente montar este producto si usted está cansado, ha tomado drogas o alcohol o si usted es propenso a ataques de mareo.
- Artículos calientes recientemente usados tales como parrillas, sopletes etc. no deben ser almacenados en el producto.
- Asegúrese de que no hay tuberías o cables ocultos en el suelo antes de andar a los cimientos.
- Este producto fue diseñado para ser utilizado principalmente como un Cobertizo de jardín.
- Para evitar que el agua se filtre por el suelo, el producto debe montarse sobre una superficie elevada del suelo.
- **Asegúrese de anclar el producto directamente a una base sólida para aumentar su estabilidad y resistencia al viento, especialmente en áreas con condiciones climáticas severas. Asegúrese de que no haya obstáculos entre la zona de montaje y la posición final del producto. El kit de anclaje de Canopia puede adquirirse por separado.**

## CUIDADOS & MANTENIMIENTO

- Para limpiar el producto, use un trapo suave y enjuague con agua limpia y fría.
- NO use acetona, limpiadores abrasivos u otros detergentes especiales para limpiar los paneles transparentes.
- Limpie el producto una vez terminado el montaje.

## ANTES DEL MONTAJE

- Seleccionar un lugar:
  - Elija su sitio cuidadosamente antes del ensamblaje inicial.
  - El producto debe colocarse y fijarse en una superficie plana y nivelada.
  - Escoja una ubicación soleada y apartada de árboles que la cubran.
- El producto debe fijarse directamente a una superficie sólida.
- Este montaje consta de varias partes y sería óptimo que lo realizaran dos personas. El proceso de montaje llevará alrededor de medio día.
- Extraiga todas las piezas de componentes de sus embalajes. Ordene las piezas y compruebe que están todas usando la lista de contenidos.
- Las piezas deberían colocarse cerca y tenerlas a mano. Ponga las piezas pequeñas (p. ej. tornillos) en un bol para no perderlas.
- Por favor, tenga en cuenta que este producto incluye perfiles con múltiples superficies. Como resultado, algunos de los agujeros de los perfiles no se utilizan durante el montaje.
- Por favor, revise todas las instrucciones antes de empezar. Siga los pasos del montaje en el orden exacto.
- Consulte las limitaciones, requisitos, permisos y a las autoridades locales para la construcción de este cobertizo de jardín.
- Por favor asegúrese de que tiene suficiente espacio lateral para la inserción de los paneles del techo durante el proceso de montaje.

## ¡IMPORTANTE!

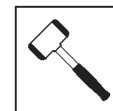
- Conecte firmemente el producto a una superficie nivelada inmediatamente después de terminar el montaje.
- Anclar este producto al suelo es esencial para su estabilidad y rigidez. Es necesario completar esta fase para que su garantía sea válida.
- Durante el montaje, ponga algo suave por debajo de las piezas, para evitar que se rayen o estropeen.
- Recomendamos comprobar las restricciones o convenios para la construcción de este producto en su área. Además, aconsejamos comprobar si necesita presentar algún formulario o si se requiere algún permiso antes de construir el producto.

## DURANTE EL MONTAJE

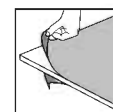
Durante el montaje, se encontrará con diferentes iconos. Para obtener más información, consulte lo siguiente:



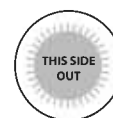
Puede utilizar spray lubricante de silicona para facilitar el deslizamiento de los paneles en los contornos. No ponga spray en los paneles.



Use un martillo de goma si hiciere falta.



Asegúrese de quitar la película plástica que cubre ambos lados del panel.



Todos los paneles que tengan estampado LADO EXTERIOR (THIS SIDE OUT) deben mirar hacia fuera para ofrecer una protección UV completa. Quite la pegatina de plástico una vez los paneles se enganchen en su sitio.



Este ícono indica que el instalador debe estar dentro del producto.



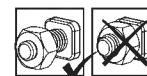
Este ícono indica que el instalador debe estar fuera del producto.



Los pasos marcados con líneas discontinuas se refieren únicamente a las extensiones.

Algunos de los pasos son innecesarios para el montaje de un solo producto.

Durante el montaje de un producto individual o de una extensión, pueden sobrar algunas piezas.



Los siguientes 2 íconos le indicarán si el ajuste de los tornillos es necesario o no.



en algún paso puede ser necesario apretar de forma temporal algunos tornillos para evitar que se caiga un perfil.

Apretar todos los tornillos una vez esté completado el montaje.

## במהלך ההרכבה

במהלך ההרכבה, תפגוש אייקונים שונים למוצרים שונים, הבט מטה לעוד אינפורמציה:

ניתן להשתמש בספריי סיליקון בכדי לסייע לך להשחיל את הלוחות אל תוך הפרופילים. אין להתיז ספריי סיליקון על הלוח.



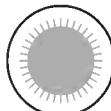
במידת הצורך, השתמש בפטיש גומי.



הסר את ציפוי הפלסטיק משני צדדי הפנל לפני הרכבתו.



נא לשים לב שהלוחות מורכבים כאשר החלק המוגן נגד UV ולקלף בסיום את ("THIS SIDE OUT" מצוין עליו) כלפי חוץ. המדבקה כאשר הלוחות מונחים ונעולים במקומם.



סמל זה מצוין שעל המרכיב להיות בתוך המוצר.



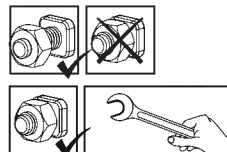
סמל זה מצוין שעל המרכיב להיות מחוץ למוצר.



השליבים המסומנים בקו מקווקו מתייחסים אל ההארכה בלבד. ניתן להתקין עד שלושה מוצרים מחוברים יחד. חלק מהשליבים אינם רלוונטיים להרכבת גגון אחד. בעת הרכבת מוצר בודד או מוצר הארכה, חלקים מסוימים עשויים להיות עודפים.



2 סמלים אלה מציינים האם נחוץ הידוק או לא. בחלק מהשליבים, הידוק זמני של הברגים עשוי להיות נחוץ בכדי למנוע את נפילתו של פרופיל הדק את הברגים היטב בסיום ההרכבה.



## הצעת בטיחות

- יש להקפיד ולהרכיב את כל החלקים בהתאם להוראות. אין לדלג על שום שלב.
- אנו ממליצים מאד להשתמש בכפפות עבודה במהלך ההרכבה.
- בעת השימוש באלומיניום משוחל יש לנעול תמיד נעלי עבודה ומשקפי מגן.
- בשימוש בסולם או במכשירים חשמליים, יש למלא אחר הוראות הבטיחות של היצרן.
- יש להמנע ממגע של פרופילי האלומיניום עם כבלי חשמל עיליים.
- אין לנסות להרכיב את המוצר בזמן רוחות או תנאי רטיבות. בכדי למנוע סכנת חנק, יש להרחיק את חומרי האריזה מהישג ידם של ילדים.
- יש להרחיק ילדים מאזור ההרכבה.
- אין להישען על או לדחוף את המוצר בעת ההרכבה.
- אין למקם את המוצר במקום החשוף לרוחות חזקות.
- אין לנסות להרכיב את המוצר במצב עייפות, שימוש בסמים, תרופות או אלכוהול, או אם יש נטייה לסחרחורת.
- אין לאחסן במוצר פריטים חמים כגון גריל שנעשה בו שימוש לאחרונה, מבערים וכד'.  
יש לוודא כי אין צינורות או כבלים נסתרים בקרקע או הקיר לפני העיגון אל המשטח הקיים.
- מוצר זה תוכנן לשמש בעיקר כמחסן.
- כדי למנוע מים לחלחל דרך הרצפה, יש להתקין את המוצר על גבי משטח מוגבה מהקרקע.
- עליך לעגן את המוצר ישירות אל בסיס מוצק בכדי להגדיל את יציבות המוצר ועמידות לרוחות באזורים עם תנאי מזג אוויר קשים.**
- ניתן לרכוש בנפרד Canopia יש לוודא כי אין מכשולים בין אזור ההרכבה למיקום הסופי של המוצר. את ערכת העיגון של**

## טיפול ותחזוקה

- כדי לנקות את המוצר, יש להשתמש במטלית רכה ולשטוף במים נקיים קרים.
- אין להשתמש באצטון, חומרי ניקוי שוחקים וסבונים מיוחדים.
- יש לנקות את המוצר בסיום ההתקנה.

## לפני ההרכבה

- בחירת מיקום ההרכבה:
- בחר בתשומת לב את מיקום ההרכבה לפני תחילת ההרכבה.
- יש לבחור אזור שטוף-שמש, רחוק מהעצים.
- על הקרקע להיות שטוחה ומפולסת לחלוטין ובעלת בסיס מוצק כגון: בטון, אספלט, דק מעץ וכו
- יש למקם את המוצר ולקבע אותו על משטח שטוח וישירות לבסיס מוצק.
- זהו מוצר מרובה חלקים, לשם הרכבתו יש צורך בשני אנשים. תכנן לפחות חצי יום לביצוע ההרכבה.
- יש למיין את החלקים ולבדוק כמויות אל מול רשימת התכולה.
- יש להניח את חלקי ההרכבה בקרבה למקום ההרכבה. שמור את החלקים הקטנים בקערה על מנת שלא יאבדו.
- יתכן שבמוצר זה ישנם פרופילים שיש להם שימושים שונים, לכן יתכנו חורים שאין בהם צורך.
- אנא עיין בהוראות המלאות לפני שתתחיל. בצע את שלבי ההרכבה בסדר המדויק.
- אנא בדוק מול הרשויות אם יש צורך בהיתרים כלשהם טרם הרכבת המוצר.
- אנא וודא שקיים מספיק מרווח בצדדים להכנסת לוחות הגג במהלך ההרכבה.

## חשוב!

- עיגון המוצר לקרקע חיוני ליציבות ועמידותו. תוקף האחריות תלוי בהשלמת שלב זה.
- מיד לאחר השלמת ההרכבה, יש לעגן מיד את המוצר היטב כשהקרקע במצב מפולס. חובה להשלים שלב זה בכדי שהאחריות תהיה בתוקף.
- בעת ההרכבה, השתמש במשטח רך מתחת לחלקים בכדי למנוע שריטות ונזק.
- אנו ממליצים לבדוק האם יש מגבלות חוקיות להקמת מבנה זה באזורכם.
- בנוסף, אנחנו מציעים שתבדקו האם אתם חייבים להגיש טפסים כלשהם, האם יש צורך בהיתר לפני שאתם מתחילים בנייתו של המוצר.

## SÄKERHETSÅD

- Följ monteringsanvisningarna i den ordning som anvisas i instruktionerna, hoppa inte över något steg.
- Vi rekommenderar att handskar, skor och skyddsglasögon alltid används då man arbetar med metallprofiler.
- Vid användning av stege, redskap och bormaskin, följ tillverkarens säkerhetsråd.
- Var noga med att inte komma i kontakt med elkablar då metallprofiler hanteras.
- Undvik att montera produkten i dåligt, blåsigt väder eller regn.
- Ta väl hand om all plastpåsar och se till att de är utom räckhåll för barn.
- Låt inte barn vistas på monteringsplatsen och håll omgivningen snygg.
- Luta eller tryck inte på produkten under montering.
- Välj omsorgsfullt platsen för produkten så att det inte påfrestras av kraftig vind eller extra snö.
- Försök inte att sätta ihop denna produkt om du är trött, har tagit droger, druckit alkohol eller om du brukar ha yrseattacker.
- Heta föremål som en nyligen använd grill, blåslampa eller dylikt får inte förvaras i produkten.
- Se till att det inte finns några gömda rör eller kablar i grunden innan du förankrar i grunden.
- Denna produkt har utformats för att huvudsakligen användas som en Trädgårdsskjul.
- För att förhindra att vatten sipprar genom golvet måste produkten monteras på en upphöjd yta från marken.
- **Se till att förankra produkten direkt på en solid grund för att öka produktens stabilitet och vindmotstånd, speciellt i områden med svåra väderförhållanden. Säkerställ att det inte finns några hinder mellan förankringsområdet och den slutliga positionen för produkten. Canopia förankringsset finns tillgängligt för köp separat.**

## RENGÖRINGSINSTRUKTIONER

- När din produkt behöver rengöras, använd en mjuk trasa och skölj med kallt rent vatten.
- Använd inte acetone, rengöringsmedel innehållande slipmedel, eller andra specialmedel för att rengöra panelerna.
- Gör ren produkten när ihopsättningen är klar.

## FÖRE MONTERING

- Välj en webbplats:
  - Välj plats noggrant innan du påbörjar monteringen.
  - Välj en solig plats utan överhängande träd.
  - Produkt måste placeras på en fast och plant underlag.
- Produkten måste förankras direkt till en solid grund.
- Detta är en flerdalad montering som bäst uppnås av två personer. Tillåt minst en halv dag för montering.
- Sortera delarna och kontrollera mot komponentlistan.
- Delarna bör läggas ut nära dig. Ha alla små delar (skruvar etc.) i en skål så att de inte försvinner.
- Observera att flersidiga profiler används i denna dörrmarkis. Som ett resultat används vissa hål i profilerna inte under montering.
- Läs igenom hela instruktionerna innan du börjar. Utför monteringsstegen i exakt ordning.
- Kontakta dina lokala myndigheter hurvida tillstånd krävs innan byggnation av produkten.
- Se till att du har tillräckligt med sidoutrymme för att sätta takpanelerna under monteringsprocessen.

## VIKTIG!

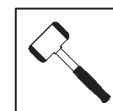
- Anslut produkten ordentligt till en plan yta omedelbart efter avslutad montering.
- Att förankra denna produkt vid mark är avgörande för dess stabilitet och styvhet. Det krävs att du slutför detta steg för att garantin ska vara giltig.
- Det är rekommenderat att använda en kartong eller annat mjukt material under det nedsänkta hörnet för att undvika repor och avskrapning av färg.
- Vi rekommenderar att du kontrollerar begränsningarna och begränsningarna för konstruktionen av denna produkt i ditt område.
- Dessutom rekommenderar vi att du kontrollerar om du behöver fylla i formulär eller ansöka om tillstånd innan du bygger produkten.

## UNDER MONTERING

Under montering kommer du att stöta på olika ikoner för olika produkter.  
Se nedan för mer information:



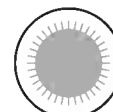
Du kan använda siliconsprej för panelerna lättare skall glida in i profilerna. Spreja inte på panelerna.



Använd en gummiklubba om nödvändigt.



Se till att du tar bort täckande plastfilm från båda sidor om panelen.



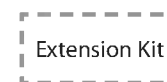
Alla paneler stämplade med orden "THIS SIDE OUT" måste vändas utåt för att skapa ett fullt UV-skydd. Avlägsna klistermärken allteftersom panelerna är låsta på plats.



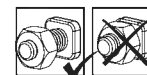
Denna ikon anger attinstallatören bör befinna sig inne i produkten.



Denna ikon anger attinstallatören bör befinna sig utanför produkten.



Steg markerade med streckade konturer gäller endast tillägg. Några av stegen är irrelevanta för montering av en enda produkt. Vid montering av en produkt eller en utökning av produkten kan en del bli ett överskott av delar.



Dessa två ikoner anger om du behöver dra åt skruv eller inte. I vissa steg kan emellertid temporär åtdragning av ett par skruvar vara nödvändigt för att förhindra att en profil faller ner. Drag åt alla skruvar islutet av monteringen.

## TURVALLISUUSOHJEET

- Ensisijaisen tärkeätä on noudattaa asennusohjeen järjestystä ja ohjeita – älä jätä mitään tekemättä.
- Suosittelemme suojakäsineiden käyttöä asennustyössä.
- Käytä aina tukevia kenkiä ja suojalaseja työskennellessäsi metallituotteiden kanssa.
- Jos käytät tikkaita, apuvälineitä, akkuporakonetta - varmista aina myös työkalu valmistajan käyttöohjeet.
- Älä kosketa sähköjohtoja tai lähteitä metallisten esineiden kanssa.
- Älä yritä pystyttää / asentaa kasvihuonetta tuulisella, sateisella tai huonolla säällä.
- Hävitä huolellisesti kaikki muoviset pakkaustuotteet ja varmista ettei ne pääse pienten lasten lähetyville.
- Pidä lapset loitolla työskentely alueelta ja pidä myös alue aina siistinä.
- Älä työnnä tai nojaa kasvihuoneen rakenteisiin asennusvaiheen aikana.
- Valitse huolella kasvihuoneen sijainti, siten ettei se ole alltiina kovalle tuulelle tai ylimääräisille lumikuormille.
- Älä yritä asentaa tätä kasvihuonetta puolikuntoisena, väsyneenä, päihteiden taikka lääkityksen vaikutuksen alaisena.
- Kuumat tuotteet kuten grillit, polttotyökalut, terassilämmittimet tulee säilöä mualla kuin kasvihuoneessa.
- Varmista ennen tuotteen ankkuroimista perustukseen, ettei siellä ole piilossa olevia putkia tai kaapeleita.
- Tämä tuote on suunniteltu käytettäväksi pääosin as Puutarhavajat.
- Veden lattian kautta vuotamisen estämiseksi tuote on sijoitettava irti maasta korotetulle pinnalle.
- **Tuotteen vakauden ja tuulenpitävyyden lisäämiseksi sinun on ankkuroitava se suoraan tukevalle alustalle, erityisesti alueilla, joilla sääolosuhteet ovat ankarat. Varmista, että tuotteen kokoamisalueen ja sen lopullisen sijoituspaikan välillä ei ole esteitä. Canopia ankkurointisarja voidaan ostaa erikseen.**

## PUHDISTUSOHJEET

- Kun tuotteesi on puhdistettava, käytä pehmeää liinaa ja huuhtelee kylmällä puhtaalla vedellä.
- Älä käytä paneelin puhdistukseen asetonia, hankaavia tai muita erikoispuhdistusaineita.
- Puhdista tuote kokoamisen jälkeen.

## ENNEN KOKOAMISTA

- Sijainnin valinta:
  - Valitse paikka huolellisesti ennen kokoamista.
  - Valitse aurinkoinen paikka, jonka yllä ei roiku oksia.
  - Seinä pinnan on oltava täysin tasainen ja suora, ja perustan oltava kiinteä.
- Tuote on kiinnitettävä suoraan kiinteälle pinnalle.
- Kokoaminen on moniosainen työ, jonka suorittaa parhaiten kaksi henkilöä. Varaa ainakin puoli päivää kokoamisprosessille.
- Lajittele osat ja tarkasta ohjeen mukainen sisältö.
- Osat on sijoitettava käden ulottuville. Pidä kaikki pienet osat (ruuvit yms.) astiassa, jotta ne eivät pääse hukkuumaan.
- Huomaa, että tässä tuotteessa käytetään monisivuisia tukirankoja, joten kaikkia niissä olevia reikiä ei käytetä kokoamiseen.
- Lue koko käyttöohje ennen aloittamista. Suorita kokoamisvaiheet tarkassa.
- järjestyksessä. Kysy tarvittaessa paikallisten viranomaisten lupaa katoksen pystyttämiseen.
- Varmista, että sinulla on riittävästi sivutilaa kattopaneelin sijoittamiseen kokoonpanon aikana.

## TÄRKEÄ!

- Asennuksen päätyttyä tuote on ankkuroitava välittömästi tasaiselle pinnalle.
- Tämän tuotteen ankkurointi että lattiaan on välttämätöntä sen vakauden ja lujuuden kannalta. Tämä vaihe on tarpeen myös takuun vuoksi.
- Käytä pehmeää alustaa estääksesi naarmut ja vahingot.
- Suosittelemme, että tutustut tämän tuotteen rakentamiseen liittyviin rajoituksiin tai sopimuksiin alueellasi.
- Lisäksi suosittelemme, että tarkistat, onko sinun toimitettava lomakkeita tai hankittava lupa ennen tuotteen rakentamista.

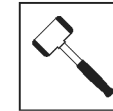
## ASENNUKSEN AIKANA

**Kokoamisen aikana näet erilaisia kuvakkeita eri tuotteita varten.**

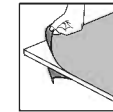
**Katso lisätietoja alta:**



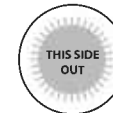
Voit käyttää silikonisprayta apuna paneelien liu'uttamisessa profiileihin. Älä käytä sprayta paneeleihin.



Käytä tarvittaessa kumivasaraa.



Muista poistaa peittävä muovikalvo paneelin molemmilta puolilta.



Kaikki paneelit, joihin on leimattu sanat "THIS SIDE OUT" ("tämä puoli ulospäin") on asetettava ulospäin, jotta syntyy täysi UV-suojaus. Poista muovitarat, kun paneelit on lukittu paikoilleen.



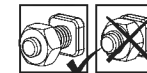
Tämä kuvake osoittaa, että asentaja pitäisi olla tuotteen ulkopuolella.



Tämä kuvake osoittaa että asentajan pitäisi olla tuotteen sisällä.



Katkoviivoilla ympäröidyt vaiheet ovat vain laajennuksia varten. Jotkin osat ovat merkityksettämiä yksittäisen tuotteen kokoamisessa. Kootessasi yksittäistä tai laajennettua tuotetta, jotkin osat voivat olla tarpeettomia.



Nämä 2 kuvakkeet ilmaisevat tarvitaanko kiristää ruuveja vai ei. Joissakin vaiheissa muutaman ruuvien väliaikainen kiristys voi olla kuitenkin tarpeen tukirangan kaatumisen estämiseksi.



Kiristä kaikki ruuvit asennuksen lopuksi.

## SIKKERHEDSRÅD

- Det er meget vigtigt, at alle dele samles i henhold til anvisningerne. Spring ikke noget trin over.
- Vi anbefaler stærkt, at der anvendes arbejdshandsker under samlingen.
- Vær altid iført sko og anvend sikkerhedsbriller, når der arbejdes med ekstruderet aluminium.
- Hvis der bruges en trappestige eller elektrisk værktøj, skal producentens sikkerhedsanvisninger følges.
- Bør ikke luftledninger med aluminiumsprofilerne.
- Forsøg ikke at samle produktet, når det blæser eller er vådt i vejret.
- Bortskaf alle plastikposer på sikker måde. Hold dem udenfor små børns rækkevidde.
- Hold børn væk fra stedet, hvor samlingen foregår.
- Læn dig ikke mod produktet og skub ikke til det under monteringen.
- Anbring ikke produktet på et sted med kraftig vind.
- Forsøg ikke at samle produktet, hvis du er træt, er under indflydelse af narkotika, medicin eller alkohol, eller hvis du har tendens til svimmelhed.
- Varme ting såsom netop brugte griller, blæselamper osv må ikke opbevares i produktet.
- Før du forankrer produktet i fundamentet, skal du sikre dig, at der ikke er skjulte rør eller kabler der.
- Dette produkt blev primært designet til at blive brugt som Haveskure.
- For at forhindre vand i at sive gennem gulvet, skal produktet monteres på en hævet overflade fra jorden.
- **For at øge produktets stabilitet og vindmodstand skal du forankre det direkte på et solidt fundament, især i de områder, hvor vejforholdene er hårde. Sørg for, at der ikke er nogen forhindringer mellem monteringsområdet og produktets slutposition. Canopia Anchoring kit kan købes separat.**

## RENGØRINGSVEJLEDNING

- Når dit produkt skal rengøres, skal du bruge en blød klud og skylle med koldt rent vand.
- Anvend ikke acetone, slibende rengøringsmidler, eller andre specialrengøringsmidler til at rengøre panelerne.
- Rengør produktet, når monteringen er udført.

## FØR MONTERING

- Valg af sted:
  - Vælg stedet omhyggeligt inden du påbegynder samlingen.
  - Vælg et solrigt sted uden overhængende træer.
  - Produkt skal placeres og opføres på en plan flade.
- Produktet skal fastgøres direkte til en fast overflade.
- Dette er et samlesæt med mange dele som lettest samles ved hjælp af to personer. Afsæt mindst en halv dag til at samle drivhuset.
- Tag alle dele ud af indpakningen. Sorter delene og tjek dem mod indholdslisten.
- Placer delene, så du let kan nå dem. Opbevar alle små dele (skrue etc.) i en skål, så de ikke bliver væk.
- Vær opmærksom på, at der anvendes flersidede profiler i dette produkt. Derfor anvendes nogle huller i profilerne ikke i forbindelse med samlingen af produktet.
- Gennemgå hele vejledningen, før du går i gang. Udfør samlingen i den præcist angivne rækkefølge.
- Henvend dig venligst til de lokale myndigheder hvis en tilladelse er påkrævet inden produktet konstrueres.
- Sørg for, at du har tilstrækkelig sideplads til at placere tagpanelerne under monteringen.

## VIGTIG!

- Efter færdiggørelse af montagen skal produktet forankres straks på en plan overflade.
- Forankring af dette produkt til gulvet er afgørende for dets stabilitet og styrke. Dette trin er også nødvendigt på grund af garantiens gyldighed.
- For at undgå ridser eller skader, anvend en et blødt underlag under delene under monteringen.
- Vi anbefaler at kontrollere for begrænsninger eller regler for at bygge dette produkt i dit område.
- Derudover råder vi til at kontrollere, om du har brug for at indsende nogen formularer, eller om der kræves tilladelse, før du bygger produktet.

## UNDER MONTERINGEN

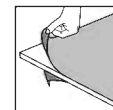
Under montering vil du støde på forskellige ikoner for forskellige produkter. Se venligst nedenfor for mere information:



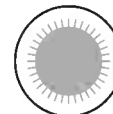
Du kan anvende silikone-smøremiddel som hjælp til at få panelerne ind i profilerne. Spray ikke på pladerne.



Brug en gummihammer om nødvendigt.



Skal du sørge for at fjerne dækplastfilm fra begge sider af panelet.



Alle paneler med de stemplede ord "THIS SIDE OUT" skal vende udad for at skabe fuld UV beskyttelse. Fjern plastikkister, når panelerne er låst på plads.



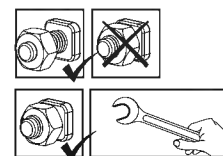
Dette ikon indikerer, at installatøren skal befinde sig inde i for produktet.



Dette ikon indikerer, at installatøren skal befinde sig uden for produktet.



Trin markeret med stiplede konturer refererer kun til udvidelser. Nogle af trinene er irrelevante for monteringen af et enkelt produkt. Ved monteringen af et enkelt eller udvidet produkt kan nogle dele blive tilovers.



Disse 2 ikoner indikerer, om skrue skal strammes eller ej. Midlertidig tilspænding af et par skrue kan være nødvendigt for at forhindre, at en profil glider.

Stram alle skrue når du er færdig med monteringen.



## VEILIGHEIDSADVIES

- Het is uiterst belangrijk alle onderdelen volgens de richtlijnen te monteren. Sla geen enkele stap over.
- Het is ten zeerste aanbevolen om werkhandschoenen te dragen tijdens de montage.
- Draag altijd schoenen en een veiligheidsbril als u met geëxtrudeerd aluminium werkt.
- Als u een ladder of electrisch gereedschap gebruikt, wees zeker dat u het veiligheidsadvies van de fabrikant volgt.
- Raak de bovengrondse electriciteitskabels niet aan met de aluminium profielen.
- Probeer de product niet te monteren in winderige of natte omstandigheden.
- Verwijder alle plastic veiligheidszakken en houd ze buiten bereik van kleine kinderen.
- Houd kinderen uit het montagegebied.
- Leun niet of druk niet aan de product gedurende de montage.
- Plaats uw product niet in een gebied met overmatige wind.
- Probeer de product niet te monteren indien u moe bent, drugs of alcohol gebruikt heeft of als u lijdt aan aanvallen van duizeligheid.
- Hete voorwerpen zoals recent gebruikte grills, branders, enz. mogen niet in de product opgeslagen worden.
- Zorg ervoor dat er geen verborgen leidingen of kabels zijn voordat u het product aan de fundering verankert.
- Dit product werd ontworpen om hoofdzakelijk te worden gebruikt als Tuinhuisjes.
- Om te voorkomen dat er water door de vloer sijpelt, moet het product vanaf de grond op een verhoogd oppervlak worden gemonteerd.
- **Om de stabiliteit en windweerstand van het product te vergroten, moet u het direct op een stevige ondergrond verankeren, vooral in die gebieden waar de weersomstandigheden zwaar zijn. Zorg ervoor dat er geen obstakels zijn tussen het montagegebied en de uiteindelijke positie van het product. De Canopia Anchoring kit is apart verkrijgbaar.**

## SCHOONMAAK INSTRUCTIES

- Wanneer uw product gereinigd moet worden, gebruik dan een zachte doek en spoel af met koud, schoon water.
- Gebruik geen aceton, schurende detergents of andere speciale middelen voor het reinigen van de panelen.
- Maak het product schoon na assemblage.

## VÓÓR DE VERGADERING

- Selecteer een site:
  - Kies deze locatie zorgvuldig voordat u begint met de montage.
  - Kies een zonnige positie weg van overhangende bomen.
  - Het grondoppervlak moet perfect vlak en waterpas zijn en een stevige ondergrond hebben.
- Het product moet direct op een stevige ondergrond worden bevestigd.
- Dit is een multi-part montage en kan heb beste worden gedaan door twee personen. Houd tenminste rekening met een halve dag voor het montageproces.
- Sorteer de onderdelen en controleer dit met de materiaallijst.
- Onderdelen moeten dicht bij de hand liggen. Bewaar alle kleine onderdelen (schroeven, enz.) in een kom zodat je ze niet verliest.
- Let wel dat er meerszijdige profielen worden gebruikt in product. Als gevolg kunnen er sommige gaten in de profielen zitten die niet worden gebruikt gedurende de montage.
- Lees de gehele instructies voordat u begint. Voer de montageschappen uit in de exacte volgorde.
- Raadpleeg uw plaatselijke autoriteiten of er bepaalde vergunningen vereist zijn voordat u het product gaat bouwen.
- Zorg ervoor dat u tijdens de montage voldoende zijruimte heeft om de dakpanelen te plaatsen.

## BELANGRIJK!

- Na voltooiing van de montage moet het product direct op een vlakke ondergrond worden verankerd.
- Het verankeren van dit product aan de vloer is essentieel voor zijn stabiliteit en sterkte. Deze stap is ook nodig vanwege de geldigheid van de garantie.
- Gebruik een zachte ondergrond voor de onderdelen om krassen en beschadigingen te voorkomen.
- Wij raden u aan te controleren of er beperkingen of convenanten van toepassing zijn voor het bouwen van dit product in uw omgeving. Daarnaast adviseren wij om te controleren of u formulieren moet indienen of dat er een vergunning nodig is voordat u het product opbouwt.

## TIJDENS DE ASSEMBLAGE

Tijdens de montage zult u verschillende iconen voor verschillende producten aantreffen. Kijk hieronder voor meer informatie:



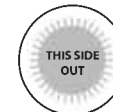
U kunt siliconenspray gebruiken om de panelen gemakkelijker in de profielen te schuiven. Spray niet de panelen.



Gebruik een rubberen hamer indien nodig.



Moet u ervoor zorgen dat u de afdekfolie aan beide zijden van het paneel verwijdert.



Alle panelen met de gestempelde woorden "THIS SIDE OUT" moeten naar buiten wijzen om volledige UV-bescherming te creëren. Verwijder de plastic sticker nadat de panelen op hun plaats vast zijn gezet.



Dit icoontje geeft aan dat de installateur binnen het product moet zijn.



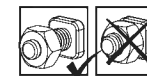
Dit icoontje geeft aan dat de installateur buiten het product moet zijn.



Stappen gemarkeerd met gestreepte omtrek verwijzen enkel naar uitbreidingen.

Sommige van de stappen zijn irrelevant voor de montage van een enkel product.

Bij het monteren van een enkel of een uitgebreid product, kunnen sommige onderdelen op overschot zijn.



Deze 2 icoontjes geven aan of het vastdraaien van schroeven is vereist.



Tijdelijk vastzetten van een aantal schroeven is mogelijk nodig om te voorkomen dat een profiel naar buiten schuift.

Maak het product schoon na assemblage.

## CONSIGLIO DI SICUREZZA

- È di grande importanza montare le parti secondo le direttive. Non omettere alcuna fase.
- Raccomandiamo caldamente l'uso dei guanti di lavoro durante i lavori di montaggio.
- Indossare sempre scarpe ed occhiali di sicurezza nel maneggiare i profili di alluminio estruso.
- Usando una scala a pioli o utensili elettrici da lavoro, assicurarsi di seguire le disposizioni di sicurezza fornite dal produttore.
- Non toccare cavi elettrici con i profili d'alluminio.
- Non tentare di montare la prodotto in condizioni atmosferiche ventose o umide.
- Eliminare in modo sicuro tutti i sacchetti di plastica – conservarli fuori della portata dei bambini.
- Tenere i bambini a distanza dall'area di montaggio.
- Non appoggiarsi o spingere la prodotto durante la sua costruzione.
- Non posizionare la prodotto in un'area troppo esposta al vento.
- Non tentare di montare la prodotto in condizioni di stanchezza, dopo aver fatto uso di stupefacenti o alcolici o se si è soggetti ad avere capogiri.
- Oggetti roventi quali griglie o bruciatori per saldature usati di recente ecc., non devono essere introdotti nella prodotto.
- Assicurarsi che non ci siano tubi o cavi nascosti nel terreno prima di ancorare alla fondazione.
- Prodotto progettato per uso prevalente come Capanne da giardino.
- Per evitare che l'acqua penetri attraverso il pavimento, questo prodotto deve essere montato su una superficie elevata rispetto al livello del suolo.
- **Assicuratevi di ancorare il prodotto direttamente a una base solida per aumentare la stabilità e la resistenza al vento, specialmente in aree con condizioni meteorologiche severe. Assicuratevi che non ci siano ostacoli tra l'area di montaggio e la posizione finale del prodotto. Il kit di ancoraggio Canopia può essere acquistato separatamente.**

## ISTRUZIONI PER LA PULIZIA

- Per pulire il prodotto, utilizzare un panno morbido e risciacquare con acqua fredda pulita.
- Non utilizzare acetone, detergenti abrasivi o altri detergenti speciali per la pulizia dei pannelli.
- Pulisci il prodotto una volta che il montaggio è completo.

## PRIMA DEL MONTAGGIO

- Seleziona un sito:
  - Scegliete con cura il vostro luogo di montaggio prima di assemblare.
  - Scegli una posizione soleggiata lontano dagli alberi sovrastanti.
  - Il prodotto deve essere posizionato e fissato su una superficie piana.
- Il prodotto deve essere fissato direttamente su una superficie solida.
- Questo è un montaggio multi-parte che può essere eseguito meglio da due persone. Bisogna utilizzare almeno una mezza giornata per l'intero processo di montaggio.
- Estrai tutte le parti dei componenti presenti nei pacchetti. Ordina le parti e controllale tramite l'elenco che mostra tutte le parti. Le parti devono essere a portata di mano.
- Metti tutte le parti piccole (viti, ecc) in una ciotola in modo che non si perdano.
- Considera che in questa prodotto vengono utilizzati dei profili multi-lato. Per questo motivo alcuni fori nei profili non vengono utilizzati durante il montaggio.
- Leggi tutte le istruzioni prima di iniziare. Esegui le fasi di montaggio nell'ordine esatto.
- Si prega di consultare le vostre autorità locali in caso siano richiesti permessi prima di costruire il prodotto.
- Assicurarsi di disporre di uno spazio laterale sufficiente per l'inserimento dei pannelli del tetto durante il processo di montaggio.

## IMPORTANTE!

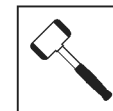
- Collega saldamente la Prodotto ad una posizione immediatamente dopo il completamento del montaggio.
- Il fissaggio di questo prodotto a terra è essenziale per ottenere stabilità e rigidità. Affinché la garanzia sia valida è necessario completare questo passaggio.
- Durante il montaggio utilizzare una superficie morbida sotto le parti per evitare graffi e danni.
- Si consiglia di verificare se ci sono restrizioni o autorizzazioni per la costruzione di questo prodotto nella vostra zona. Inoltre, si consiglia di controllare se è necessario presentare dei moduli o se è necessario un permesso prima di costruire il prodotto.

## DURANTE IL MONTAGGIO

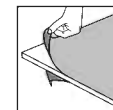
**Durante il montaggio, troverete diverse icone corrispondenti a diversi prodotti. Per ulteriori informazioni, si prega di fare riferimento a quanto segue:**



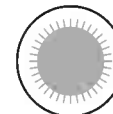
Puoi utilizzare lo spray lubrificante al Silicone per aiutare i pannelli a scorrere nei profili. Non spruzzare sui pannelli.



Usa un martello di gomma, se necessario.



Assicurarsi di rimuovere la pellicola di plastica di copertura da entrambi i lati del pannello.



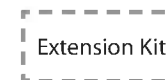
Tutti i pannelli con le parole stampate "THIS SIDE OUT" devono essere rivolti verso l'esterno per creare una protezione UV completa. Rimuovere l'adesivo di plastica mentre i pannelli sono bloccati in posizione.



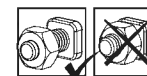
Questa icona indica che l'installatore deve essere all'interno del prodotto.



Questa icona indica che l'installatore deve essere all'esterno del prodotto.



I passi segnati con linee tratteggiate si riferiscono solo alle estensioni. Alcuni passi non sono necessari per l'assemblaggio di un singolo prodotto. Durante l'assemblaggio di un singolo prodotto o di un'estensione, alcune parti possono essere rimanenti.



Queste 2 icone indicano se è necessario o meno serrare le viti. Può essere necessario stringere temporaneamente alcune viti per evitare che un profilo si sposti fuori posto. Stringi tutte le viti al termine del montaggio.



## SFATURI DE SIGURANȚĂ

- Este de cea mai mare importanță să asamblați toate piesele, conform instrucțiunilor.
- Nici o fază nu poate fi omisă. Vă recomandăm insistent să folosiți mănușilor de lucru în timpul alunecării panoului.
- Atunci când lucrați cu aluminiu extrudant, purtați întotdeauna pantofi și ochelari de protecție.
- Dacă utilizați o scară sau unelte electrice, urmați sfaturile de siguranță ale producătorului.
- Nu atingeți cablurile de alimentare electrice aeriene cu profilele de aluminiu.
- Evitați asamblarea produsul în condiții de vânt sau umezeală.
- Aruncați toate pungile de plastic. Asigurați-vă că nicio pungă de plastic nu rămâne la îndemâna copiilor.
- Țineți copiii departe de zona de asamblare.
- Nu vă sprijiniți de produse și nu împingeți produsele în timpul construcției.
- Nu poziționați produsul într-o zonă expusă vântului excesiv.
- Evitați asamblarea acestui produs dacă sunteți obosit, ați consumat droguri sau alcool sau dacă sunteți predispus la amețeli.
- Obiecte fierbinți, cum ar fi grătarele folosite recent, pistolete de foc etc. nu trebuie depozitate în interiorul produsului.
- Asigurați-vă, înainte de ancorarea la fundație, că nu există țevi sau cabluri ascunse în pământ.
- Acest produs este conceput pentru a fi utilizat în principal ca șopron de grădină.
- Pentru a preveni infiltrarea apei prin podea, produsul trebuie montat pe o suprafață mai ridicată față de solul din jur.
- **Pentru a asigura stabilitatea produsului și rezistența la vânt în zonele cu condiții meteorologice severe, asigurați-vă că ați ancorat produsul direct pe o fundație solidă. Asigurați-vă că nu există obstacole între zona de asamblare și poziția finală a produsului. Setul de ancorare Canopia este disponibil pentru achiziționare separat.**

## ÎNGRIJIRE ȘI ÎNTREȚINERE

- Când produsul instalat trebuie curățat, utilizați o cârpă moale și clătiți cu apă curată rece.
- NU folosiți acetona, agenți de curățare abrazivi sau alți detergenți speciali pentru curățarea panourilor.
- Curățați produsul după finalizarea asamblării.

## ÎNAINTE DE MONTARE

- Alegerea locației:
  - Alegeți locația cu atenție înainte de a începe asamblarea.
  - Alegeți o poziție înșorită, departe de copaci care atârnă peste deasupra.
  - Produsul trebuie poziționat și fixat pe o suprafață plană.
- Produsul trebuie fixat direct pe o fundație solidă.
- Deoarece acesta este un ansamblu de mai multe piese, cel mai bine este să fie realizat de două persoane. Alocați cel puțin o jumătate de zi pentru procesul de asamblare.
- Scoateți toate componentele și piesele din pachete. Sortați piesele și verificați contra listei de părți de conținut.
- Piesele trebuie puse la îndemână. Păstrați toate piesele mici (șuruburi etc.) într-un container, pentru a nu se pierde.
- Vă rugăm să rețineți că în acest produs sunt utilizate profile cu mai multe fețe. Ca urmare, unele găuri din profile nu vor fi utilizate în timpul asamblării.
- Vă rugăm să examinați întregul set de instrucțiuni înainte de a începe. Efectuați etapele de asamblare în ordinea exactă.
- Înainte de a construi produsul, este necesar să consultați autoritățile locale dacă sunt necesare autorizații.
- Vă rugăm să vă asigurați că aveți suficient spațiu lateral pentru introducerea panourilor de acoperiș în timpul procesului de asamblare.

## IMPORTANT!

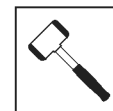
- Imediat după finalizarea asamblării, conectați ferm produsul la o suprafață plană.
  - Ancorarea acestui produs la sol este esențială pentru stabilitatea și rigiditatea acestuia. Pentru ca garanția dvs. să fie valabilă, este necesar să finalizați această etapă.
  - Pentru a evita zgârieturile și deteriorarea în timpul asamblării, utilizați o suprafață moale dedesubtul pieselor.
  - Recomandăm să verificați dacă există în zona dvs. de reședință restricții sau instrucțiuni de lege pentru construirea acestui produs.
- În plus, vă sfătuim să verificați dacă trebuie să depuneți formulare sau dacă este necesară o autorizație înainte de a construi produsul.

## ÎN TIMPUL MONTĂRII

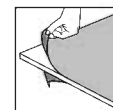
În timpul montării, veți întâlni diferite simboluri pentru diferite produse. Vezi mai jos pentru informații suplimentare:



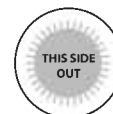
Pentru a vă ajuta să glisați panourile în profile, puteți utiliza spray lubrifiant siliconic pe cadru. Nu aplicați spray pe panouri.



Dacă este necesar, utilizați numai un ciocan de cauciuc.



Asigurați-vă că ați îndepărtat folia de plastic acoperitoare de pe ambele părți ale panoului.



Pentru a asigura o protecție completă împotriva UV, marcasele ștampilate „THIS SIDE OUT” de pe toate panourile cu marca ștanțată trebuie să fie orientate spre exterior. După ce panourile au fost așezate la locul lor, îndepărtați autocolantul din plastic.



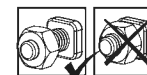
Acest simbol indică faptul că elementul de instalare trebuie să fie în interiorul produsului.



Acest simbol indică faptul că elementul de instalare trebuie să fie în afara produsului.



Fazele marcate cu contururi întrerupte se referă numai la extensii. Unele faze sunt irelevante la asamblarea unui singur produs. La asamblarea unui singur produs sau a unui produs de extensie, unele piese pot fi excedentare.



Aceste 2 simboluri de mai jos indică dacă strângerea șuruburilor este necesară sau nu. Pentru a preveni alunecarea profilului, poate fi necesară o strângere temporară a unor șuruburi. Când asamblarea este finalizată, strângeți toate șuruburile.



## IMPORTANT ASSEMBLY STEPS

**When encountering this information icon during assembly, please refer the relevant assembly step for important additional comments.**

- Step 19:** Make sure to connect the reinforcement arches in the order shown, assemble according to the size of the product purchased.  
Essential for product stability and durability!
- Step 28:** Please apply silicone (caulk) sealant at the connection between both Aluminum (**diagram a+c**), profiles, in order to prevent water from seeping in.  
Nut **#8050** should be positioned according to the perforation in the profile, as shown in the marked round figure (**b**)!
- Step 31:** Remove plastic film from the panel if exist!
- Step 34:** Leave 2 screws **#8192** at each end of the central profile for use in **Step 48 (see Drawing a)**.
- Step 40:** When assembling the doors, pay attention to the direction of the panels, profiles and holes.
- Step 45:** The door can be installed either as a left or right hand door. These instructions show a right hand door assembly.
- Step 46:** Use the marked holes as shown.
- Step 48:** Install the sealing strip on the outer side as shown in the **Diagram a**. Use mild soap for easier assembly, cut sealing leftovers.



## PRINCIPALES ÉTAPES D'ASSEMBLAGE

**Lorsque vous rencontrez cette icône d'information pendant l'assemblage, veuillez vous référer à l'étape d'assemblage correspondante pour d'autres commentaires importants.**

- Étape 19:** Assurez-vous de relier les arceaux de renfort dans l'ordre indiqué, assemblez en fonction de la taille du produit acheté.  
Indispensable pour la stabilité et la durabilité du produit !
- Étape 28:** Veuillez appliquer le silicone (le calfeutrage) en scellant à la connexion entre les deux profilés (**figure a+c**), en aluminium, afin d'empêcher l'eau de s'infiltrer.  
Le boulon **#8050** doit être positionné face à la perforation du profil, comme indiqué dans l'illustration entourée d'un cercle ci-contre (**b**) !
- Étape 31:** Si le panneau est recouvert d'un film plastique, retirez ce dernier.
- Étape 34:** Laisser 2 vis **#8192** à chaque extrémité du profilé central pour utilisation à **l'étape 48 (Voir la figure a)**.
- Étape 40:** Lors de l'assemblage des portes, faites attention au sens des panneaux, des profilés et des trous.
- Étape 45:** La porte peut être installée de manière à s'ouvrir sur la droite ou sur la gauche. Ces instructions montrent un montage correct de la porte.
- Étape 46:** Utiliser les trous marqués.
- Étape 48:** Installer la bande d'étanchéité sur le côté extérieur comme indiqué dans la **figure a**. Utiliser un savon doux pour faciliter l'installation, couper les restes d'étanchéité.



## WICHTIGE MONTAGESCHRITTE

**Wenn Sie bei der Montage auf dieses Informationssymbol stoßen, finden Sie im jeweiligen Montageschritt wichtige Zusatzhinweise.**

- Schritt 19:** Stellen Sie sicher, dass Sie die Verstärkungsbögen in der angegebenen Reihenfolge verbinden und entsprechend der Größe des gekauften Produkts zusammenbauen.  
Unverzichtbar für Produktstabilität und Haltbarkeit!
- Schritt 28:** Bitte benutzen Sie Silikon (Dichtungsmasse) an der Verbindung zwischen den beiden Aluprofilen (**siehe Abbildung a+c**), um das Eindringen von Wasser zu verhindern.  
Die Mutter **#8050** muss entsprechend der Perforation im Profil positioniert werden, wie in der markierten Abbildung (**b**) gezeigt!
- Schritt 31:** Falls vorhanden, entfernen Sie die Kunststofffolie vom Paneel.
- Schritt 34:** Lassen 2 Schrauben an jedem Ende des mittleren Profils eine Schraube **#8192** für die Verwendung in **Schritt 48 (siehe Abbildung a)**.
- Schritt 40:** Achten Sie bei der Montage der Türen auf die Richtung der Paneele, Profile und Löcher.
- Schritt 45:** Die Tür kann mit rechtem oder linken Türanschlag eingebaut werden. In dieser Anleitung wird ein Türeinbau mit rechtem Türanschlag dargestellt.
- Schritt 46:** Verwenden Sie die markierten Löcher.
- Schritt 48:** Montieren Sie das Dichtungsband an der Außenseite wie in Abbildung **a gezeigt**. Verwenden Sie milde Seife zur leichteren Montage, schneiden Sie Dichtungsreste ab.



## PASOS DE MONTAJE IMPORTANTES

**Al encontrar este icono de información durante el montaje, consulte el paso de montaje correspondiente para obtener importantes comentarios adicionales.**

- Paso 19:** Asegúrese de conectar los arcos de refuerzo en el orden que se muestra, ensamble según el tamaño del producto adquirido.  
¡Esencial para la estabilidad y durabilidad del producto!
- Paso 28:** Aplique sellador de silicona (masilla) en la unión entre ambos Perfiles de aluminio (**ver diagrama a+c**), para evitar que el agua se filtre.  
Tuerca **#8050** debe ser posicionada de acuerdo a la perforación en el perfil, como se muestra en la figura redonda marcada (**b**)!
- Paso 31:** Si el panel se encontrara recubierto con una película de plástico, retírela.
- Paso 34:** Deja 2 tornillos **#8192** en cada extremo del perfil central para su uso en el **paso 48 (ver diagrama a)**.
- Paso 40:** Al ensamblar las puertas, preste atención a la orientación de los paneles, perfiles y agujeros.
- Paso 45:** La puerta puede instalarse para abrirse tanto a la derecha como a la izquierda. Estas instrucciones muestran una instalación de puerta que abre a la derecha.
- Paso 46:** Usa los agujeros marcados.
- Paso 48:** Instale la tira de sellado en la parte exterior como se muestra en el **diagrama a**. Utilice un jabón suave para facilitar el montaje, corte los restos de la tira de sellado.



## VIKTIGA MONTERINGSSTEG

När du ser denna ikon under montering, se relevant monteringssteg för viktiga ytterligare kommentarer.

- Steg 19:** Se till att ansluta förstärkningsbågarna i den ordning som visas, montera enligt storleken på den köpta produkten. Viktigt för produktens stabilitet och hållbarhet!
- Steg 28:** Applicera silikon (caulk) tätningsmedel vid anslutningen mellan båda Aluminiumprofiler (**diagram a+c**) för att förhindra att vatten tränger in. Mutter #8050 ska placeras enligt perforeringen i profilen, som visas i den runda figuren (**b**)!
- Steg 31:** Ta bort plastfilmen från panelen.
- Steg 34:** Lämna 2 skruv (# 8192) på varje ände av mittprofilen för användning i steg 48 (se figur a).
- Steg 40:** När du monterar dörren, var uppmärksam på riktningarna för panelerna, profilerna och hålen.
- Steg 45:** Dörren kan monteras som antingen höger- eller vänsterdörr. Dessa instruktioner visar den högra dörrkonstruktionen.
- Steg 46:** Använd de markerade hålen som visas.
- Steg 48:** Montera tätningslisten på utsidan enligt bild a. Använd flytande tvål för att underlätta monteringen, skär bort överflödiga delar av tätningen.



## שליבים חשובים בהרכבה

כאשר אתם רואים את הסמל הזה במהלך ההרכבה, אנא פנו אל שלב ההרכבה לקבלת הערות חשובות נוספות.

- שלב 19:** שים לב לסדר חיבור קשתות החיזוק והרכב לפי המוצר שרכשת, חיוני עבור עמידות המוצר!
- שלב 28:** נא לאטום בעזרת חומר איטום סיליקון את החיבור בין שני פרופילי האלומיניום (ראה תרשימים a+c) כדי למנוע חדירת מים. יש למקם את אום #8050 בהתאם לניקוב בפרופיל, כפי שמופיע באיור העגול (b)!
- שלב 31:** הסר את ציפוי הפלסטיק מהפנל, במידה וקיים.
- שלב 34:** השאר 2 ברגי #8192 בקצוות הפרופיל (ראה תרשים a) לשימוש בשלב 48.
- שלב 40:** בעת הרכבת הדלתות, יש לשים לב לכיוון הפאנלים, הפרופילים והחורים.
- שלב 45:** ניתן להרכיב את הדלת לפתיחה מצד ימין או לפתיחה מצד שמאל. הוראות הרכבה אלה מציינות הרכבה ימנית של הדלת.
- שלב 46:** יש להשתמש בחורים המסומנים.
- שלב 48:** התקן את פס האיטום מהצד החיצוני כמוצג בתרשים a. השתמש בסבון עדין לפי הצורך. גזור את שאריות האטום.



## BELANGRIJKE STAPPEN VAN DE OPBOUW

**Wanneer u dit informatiepictogram tijdens de opbouw tegenkomt, raadpleeg dan de betreffende stap van de opbouw voor belangrijke bijkomende opmerkingen.**

- Stap 19:** Zorg ervoor dat u de versterkingsbogen in de aangegeven volgorde aansluit en monteert volgens de maat van het gekochte product. Essentieel voor productstabiliteit en duurzaamheid!
- Stap 28:** Breng siliconenkit aan op de verbinding tussen de beide aluminium profielen (**diagram a+c**) om te voorkomen dat er water naar binnen sijpelt. Moer **#8050** moet worden gepositioneerd volgens de perforatie in het profiel, zoals weergegeven in de ronde figuur (**b**)!
- Stap 31:** Verwijder de plastic folie van het paneel.
- Stap 34:** Laat 2 schroef (**#8192**) over aan elk uiteinde van het centrale profiel voor gebruik in **Stap 48 (zie Figuur a)**.
- Stap 40:** Let bij het monteren van de deuren op de richting van de panelen, profielen en gaten.
- Stap 45:** De deur kan zowel links- als rechtsdraaiend worden gemonteerd. Deze instructies tonen de montage van een rechtsdraaiende deur.
- Stap 46:** Gebruik de gemarkeerde gaten zoals afgebeeld.
- Stap 48:** Monteer de afdichtstrip aan de buitenzijde zoals aangegeven in **Figuur a**. Gebruik vloeibare zeep om de montage te vergemakkelijken, verwijder afdichtingsresten.



## FASI DI MONTAGGIO IMPORTANTI

**Quando si incontra questa icona informativa durante il montaggio, fare riferimento alla relativa fase di montaggio per ulteriori importanti commenti.**

- Fase 19:** Assicurarsi di collegare gli archi di rinforzo nell'ordine indicato, assemblare in base alla dimensione del prodotto acquistato. Essenziale per la stabilità e la durata del prodotto!
- Fase 28:** si prega di applicare il silicone sigillante (stucco) al collegamento tra entrambi i profili di alluminio (**diagramma a+c**), in modo da evitare infiltrazioni d'acqua. Il dado **#8050** deve essere posizionato in base alla foratura del profilo, come mostrato nella figura rotonda contrassegnata (**b**)!
- Fase 31:** Rimuovere la pellicola di plastica dal pannello.
- Fase 34:** Lasci 2 viti (**#8192**) a ciascuna estremità del profilo centrale per utilizzarle nella **fase 48 (vedere il disegno a)**.
- Fase 40:** Quando monta le porte, faccia attenzione alla direzione dei pannelli, dei profili e dei fori.
- Fase 45:** La porta può essere installata sia come porta di sinistra che di destra. Queste istruzioni mostrano la porta montata sul lato destro.
- Fase 46:** Utilizzare i fori contrassegnati come mostrato.
- Fase 48:** Installi la striscia di tenuta sul lato esterno, come mostrato nel **Diagramma a**. Utilizzi del sapone neutro per facilitare il montaggio, tagliando i residui di sigillatura.



## TÄRKEÄT ASENNUSVAIHEET

**Kun näet tämän tietokuvakkeen asennuksen aikana, katso tärkeät lisähuomautukset olennaisesta asennusvaiheesta.**

- Vaihe 19:** Varmista, että liität vahvistuskaaret näytetyssä järjestyksessä, kokoa ostetun tuotteen koon mukaan.  
Välttämätön tuotteen vakauden ja kestävyuden kannalta!
- Vaihe 28:** Lisää silikonitiivistettä alumiinikappaleiden (**piirros a+ c**) liitoksen väliin, estääksesi veden tihkumisen sisään.  
Mutteri **#8050** tulee sijoittaa profiilin rei'ityksen mukaan pyöreän kuvan (**b**) mukaisesti!
- Vaihe 31:** Poista muovikalvo paneelista.
- Vaihe 34:** Jätä 2 ruuvi (**#8192**) keskiprofiilin molempiin päihin käytettäväksi **vaiheessa 48 (katso kaavio a)**.
- Vaihe 40:** Kun kokoat ovea, kiinnitä huomiota paneelien, profiilien ja reikien suuntiin.
- Vaihe 45:** Ovi voidaan asentaa joko oikea- tai vasenkätiseksi oveksi. Näissä ohjeissa on esitetty oikeakätinen ovirakenne.
- Vaihe 46:** Käytä merkittyjä reikiä kuvan mukaisesti.
- Vaihe 48:** Asenna tiivistenauha ulkopuolelle, kuten **kuvassa a** on esitetty. Käytä nestesaippuaa helpottamaan kokoamista, leikkaa tiivisteeseen liiat osat pois.



## VIGTIGE MONTERINGSTRIN

**Når du støder på dette informationsikon under monteringen, se det relevante monteringstrin for vigtige yderligere kommentarer.**

- Trin 19:** Sørg for at forbinde forstærkningsbuerne i den viste rækkefølge, samlet efter størrelsen på det købte produkt.  
Vigtigt for produktstabilitet og holdbarhed!
- Trin 28:** Påfør silikonefugemasse (tætningsmateriale) mellem de to aluminiumsprofiler (**diagram a+c**) for at forhindre vand i at sive ind.  
Møtrik **#8050** skal placeres i henhold til perforeringen i profilen, som vist på den runde figur (**b**)!
- Trin 31:** Fjern plastfolie fra panelet.
- Trin 34:** Efterlad 2 skrue (**#8192**) i hver ende af den centrale profil til brug i **trin 48 (Se Diagram a)**.
- Trin 40:** Ved montering af dørene skal du være opmærksom på panelernes, profilernes og hullernes retning.
- Trin 45:** Døren kan installeres enten som en venstre eller højre dør. Disse instruktioner viser en højre dørmontering.
- Trin 46:** Brug de markerede huller som vist.
- Trin 48:** Monter tætningsstrimlen på ydersiden som vist i **diagrammet a**. Brug flydende sæbe for lettere montering, skær forseglingsrester.




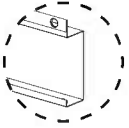


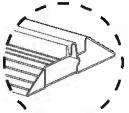



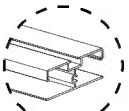

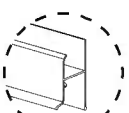

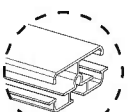
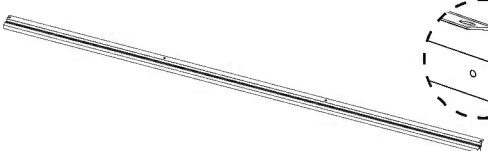
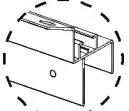
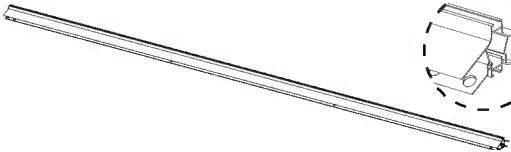
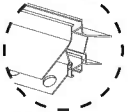




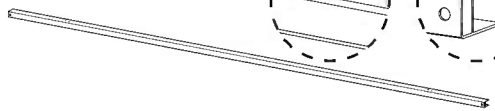
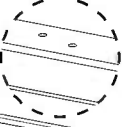
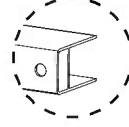
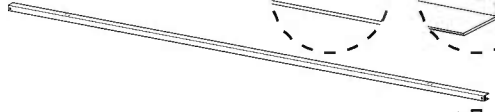
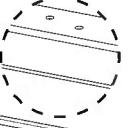
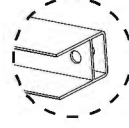

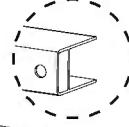

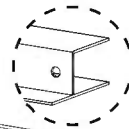

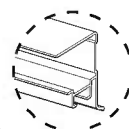

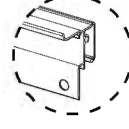

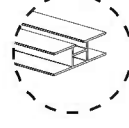
## FAZE IMPORTANTE DE MONTARE

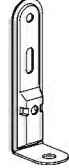
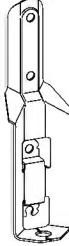
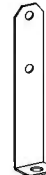

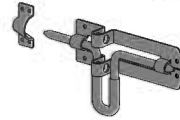

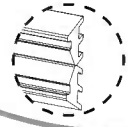
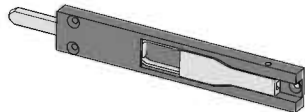
**Când întâlniți acest simbol de informații în timpul asamblării, vă rugăm să consultați faza relevantă de asamblare, pentru comentarii suplimentare importante.**

- Faza 19:** Asigurați-vă că conectați arcurile de armare în ordinea prezentată, asamblați în funcție de dimensiunea produsului achiziționat.  
Esențial pentru stabilitatea și durabilitatea produsului!
- Faza 28:** Aplicați sigilant siliconic (caulk) la legătura dintre ambele profile de aluminiu (**diagrama a+c**), pentru a preveni patrunderea apei.  
Piulița #8050 trebuie poziționată conform perforației din profil, așa cum se arată în figura rotundă marcată **(b)**!
- Faza 31:** În cazul că panoul este învelit într-o folie de plastic, acum trebuie să fie decojită și îndepărtată.
- Faza 34:** Lăsați 2 șuruburi #8192 la fiecare capăt al profilului central, pentru utilizare în **Faza 48 (vezi desenul a)**.
- Faza 40:** La asamblarea ușilor, acordați o atenție deosebită direcției panourilor, profilelor și găurilor.
- Faza 45:** Ușa poate fi instalată ca ușă de stânga sau de dreapta.  
Aceste instrucțiuni arată un ansamblu de ușă din partea dreaptă.
- Faza 46:** Utilizați găurile marcate așa cum se arată.
- Faza 48:** Instalați banda de etanșare pe partea exterioară, așa cum se arată în **diagrama A**. Utilizați un săpun blând pentru o asamblare mai ușoară, apoi tăiați resturile de etanșare.

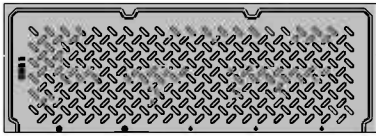
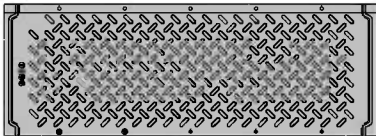
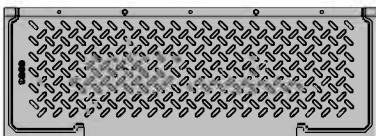
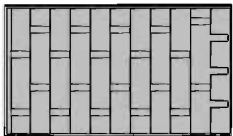
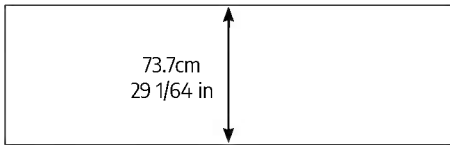
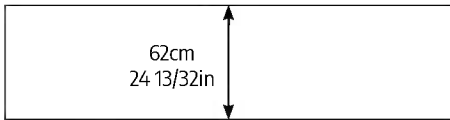
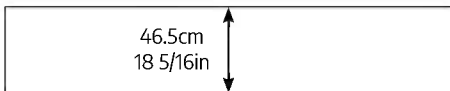


Contents

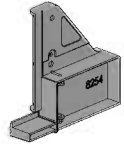
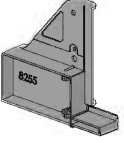
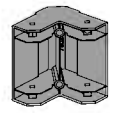
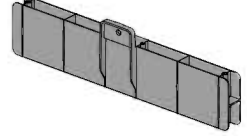





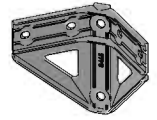
Item		Qty.
8268	 	2
8269		6
9823	 	1
9737	 	4
9736	 	6
9804	 	2
8258	 	4
9803	 	2
9805	 	1


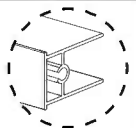

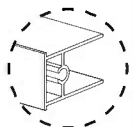


Item		Qty.
7725	 	2
8263	  	1
8264	  	1
8265	 	1
8266	 	1
9806	 	2
8259	 	4
9824	 	2

Item		Qty.
9227		6 (+2)
9922		4
9808		2
7356		4
8480		1
7869	 	1
9707		2








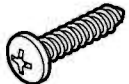
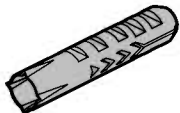
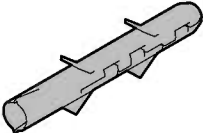

Contents


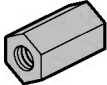




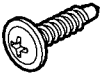

Item		Qty.
9811		1
9810		1
9809		1
1299 Or 8278		6
9700		9
9826		2
9827		2
9828		2
9829		2


Item		Qty.
8254		1
8255		1
7602		4
8447		3
7981		2
7980		2
7979		2
8468		1
8466		1
8465		4

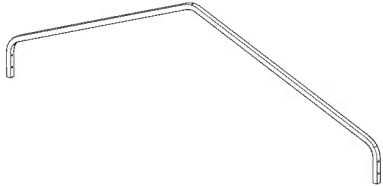
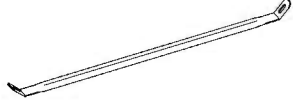
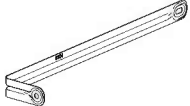
Item		Qty.
7726	 	2
9932	 	2
9822	 	8

Contents

Item		Qty.
8192		60 (+6)
7284		8
7682		2
421		10 (+1)
7441		10 (+1)
7442		72 (+7)
7444		26 (+1)
8422		10
4009		10 (+1)
4010		12 (+1)
9819		12 (+1)

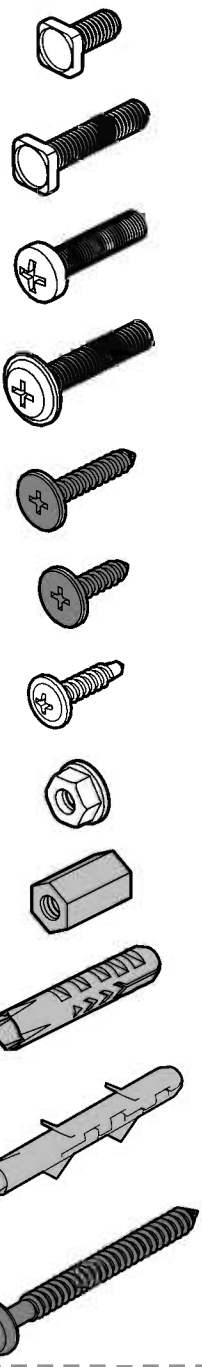
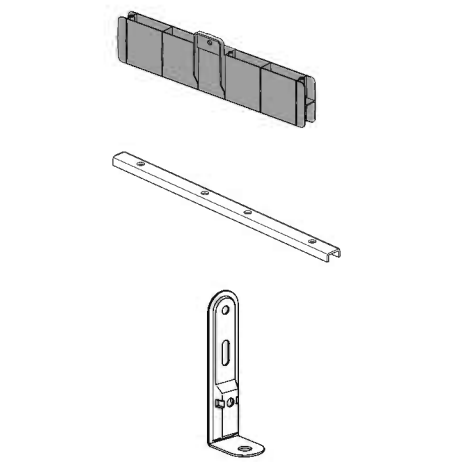
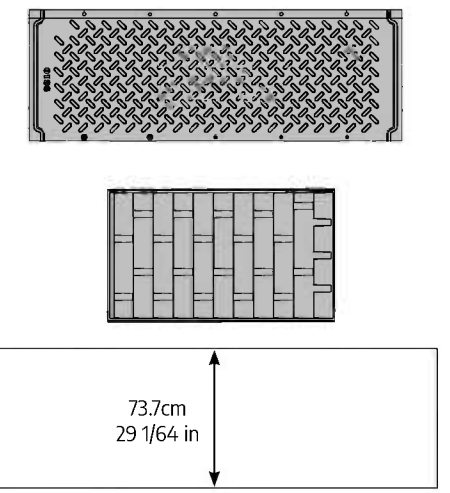
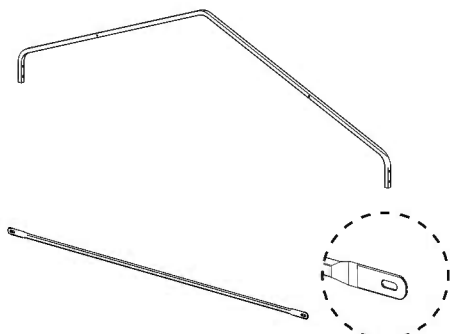
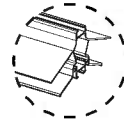
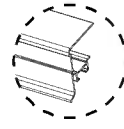
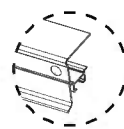
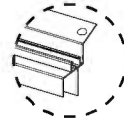
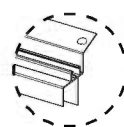
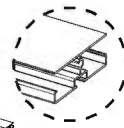
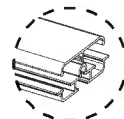
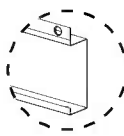
Item		Qty.
466		66 (+4)
8050		2
422		10 (+1)
7175		10 (+1)
7524		8 (+1)
9708		6
4008 Silver		4
4008 Black		8

TORX T40	
-------------	---

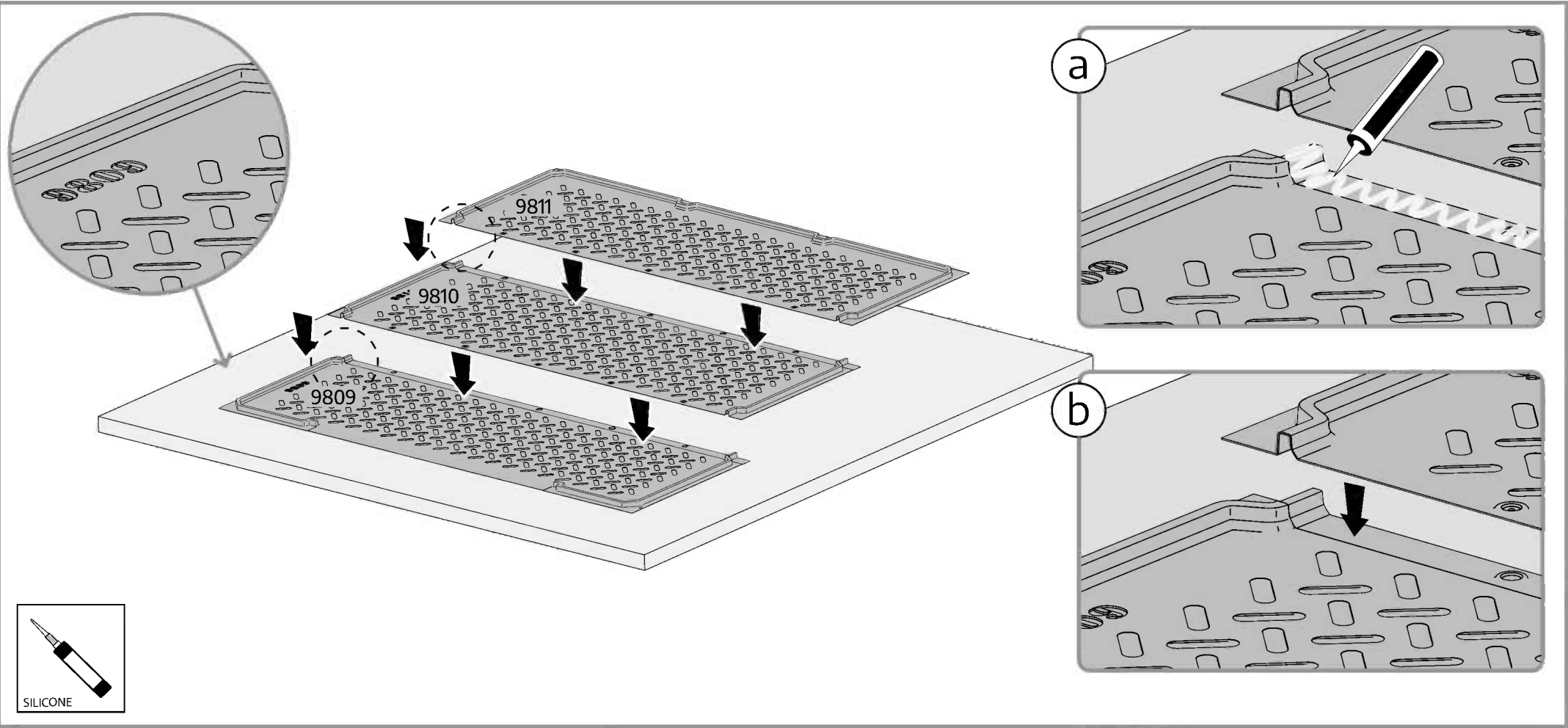
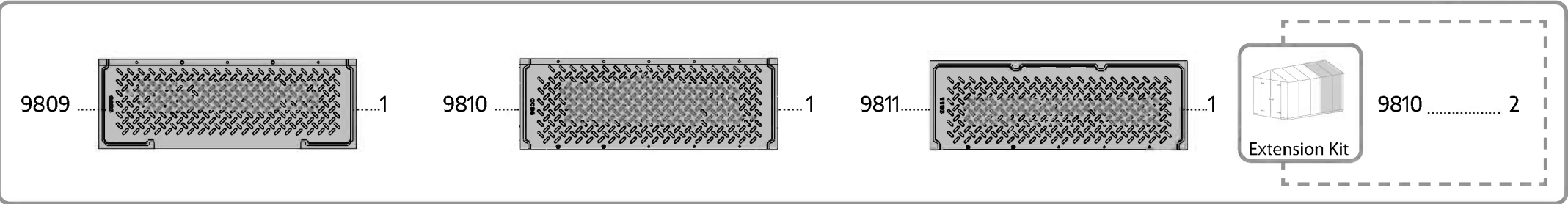
Item		Qty.
9825 Or 1327		2
9735		2
8104		2

# Contents Extension Kit

Item	Qty.	Item	Qty.	Item	Qty.
8271	2	1327	2	8192	47 (+3)
8258	4	9699	2	7284	8
9736	4	9810	2	7682	2
9812	1	1299	4	8077	4
9813	1	9700	4	7441	10 (+1)
9814	1	8447	2	7442	16 (+2)
9815	1	7985	6	4008 Silver	4
9816	1	9227	4	466	55 (+11)
				8050	2
				4009	10 (+1)
				4010	4
				9819	4

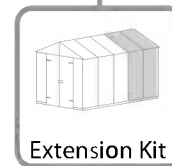


1





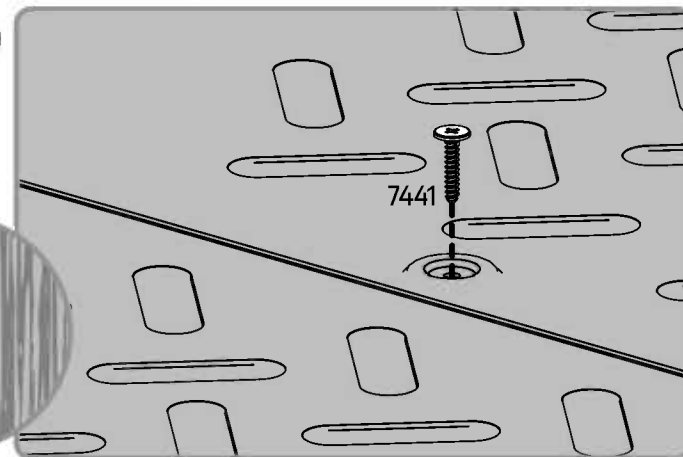
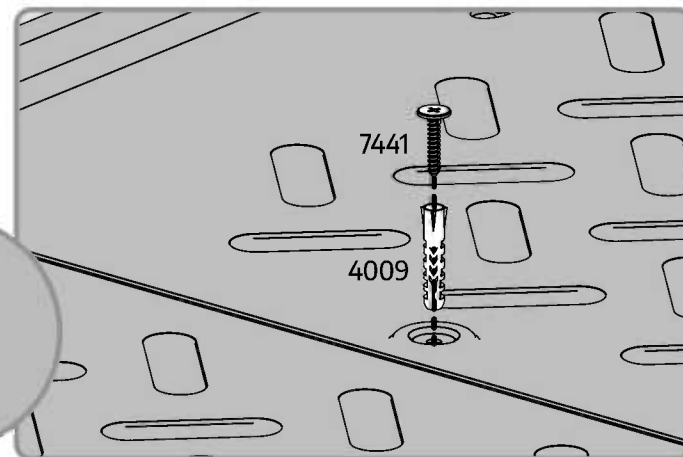
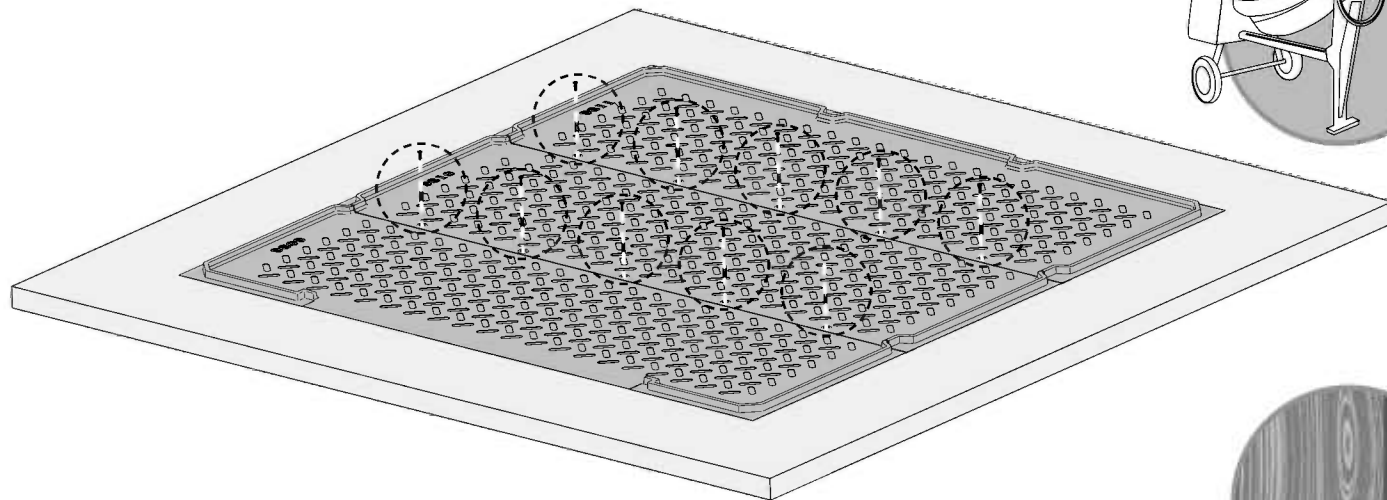
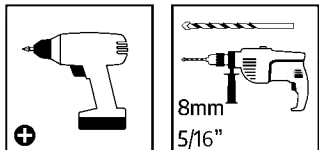
7441 .....  ..... 10      4009 .....  ..... 10

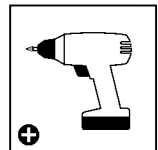
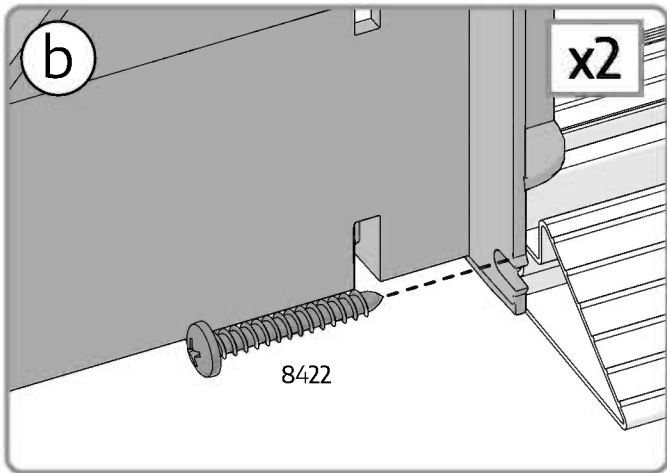
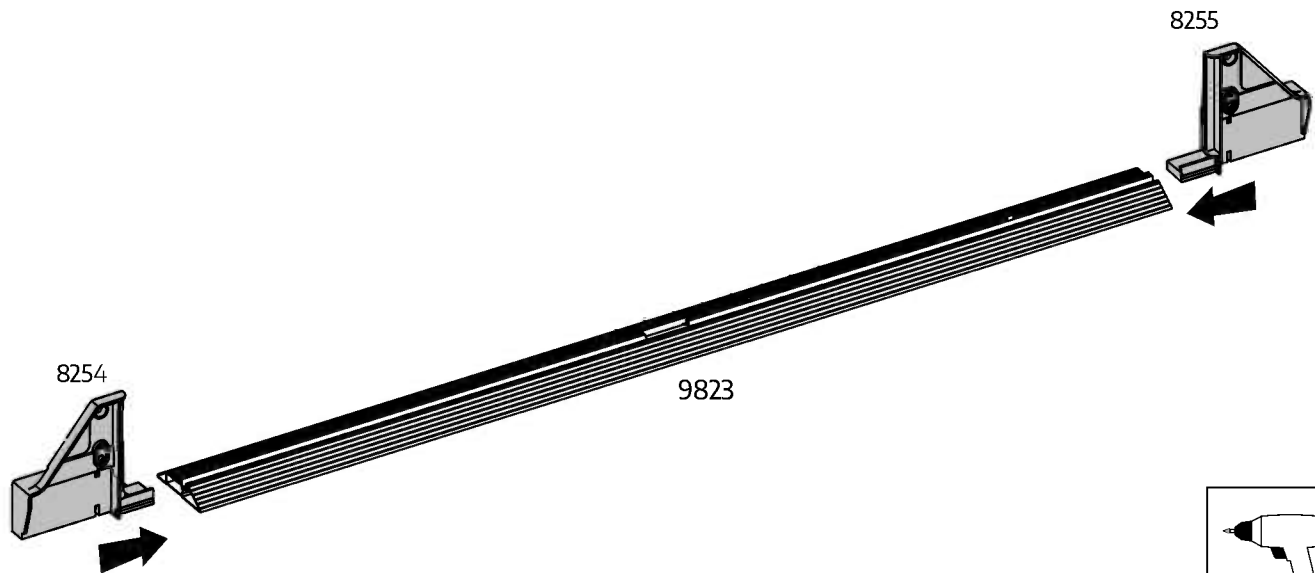
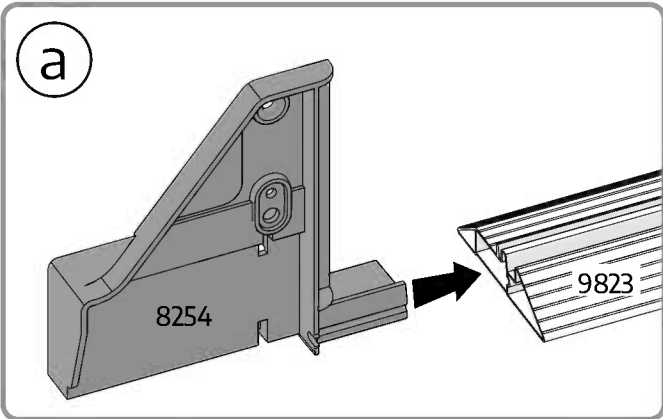
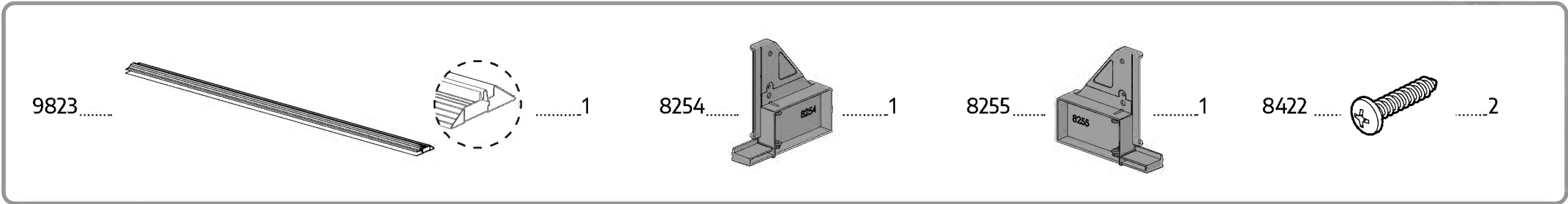


Extension Kit

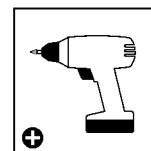
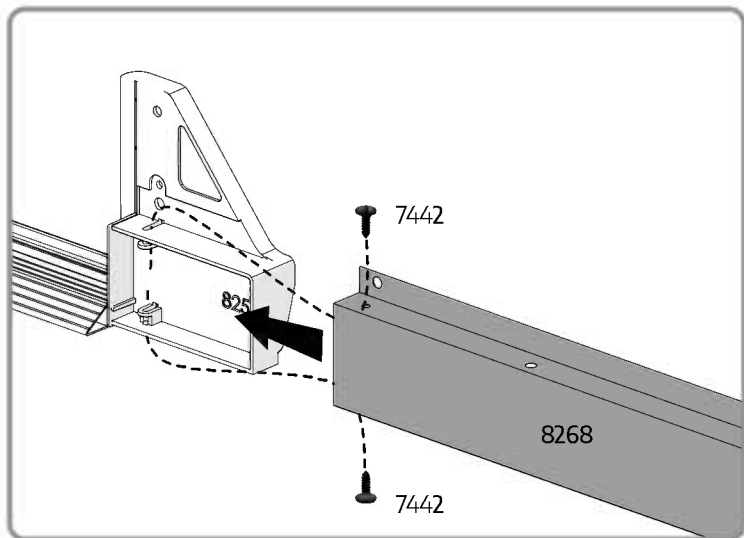
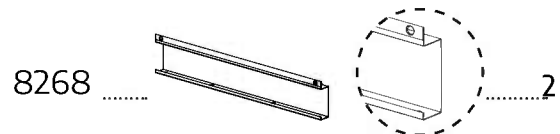
7441 ..... 10

4009 ..... 10

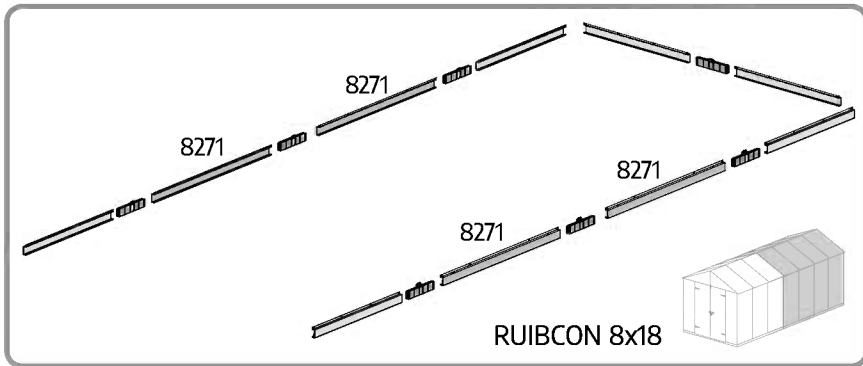
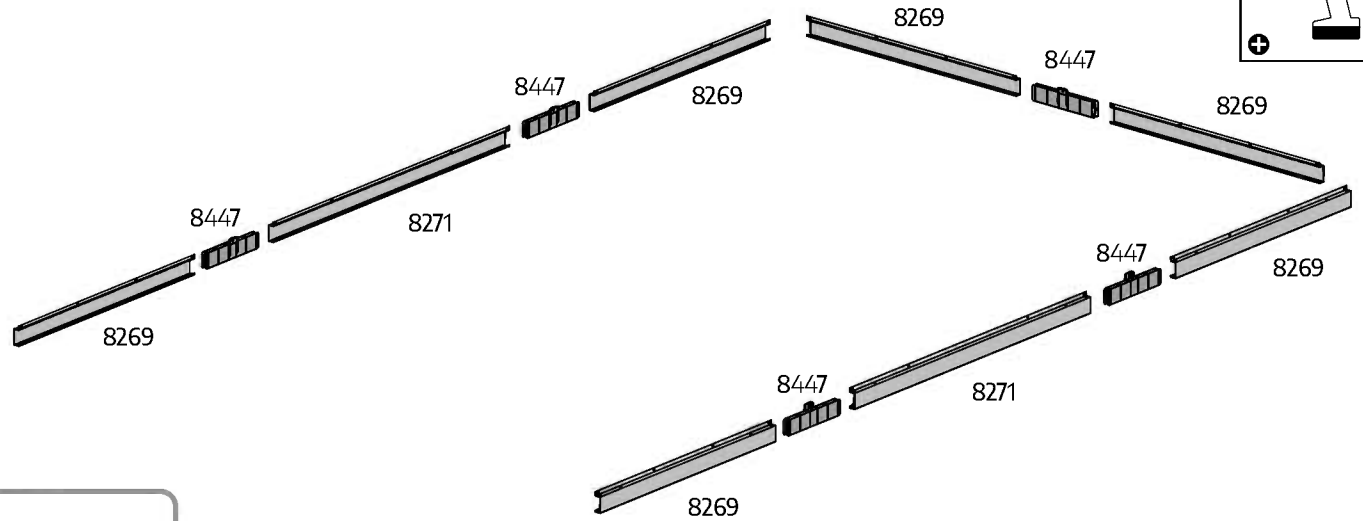
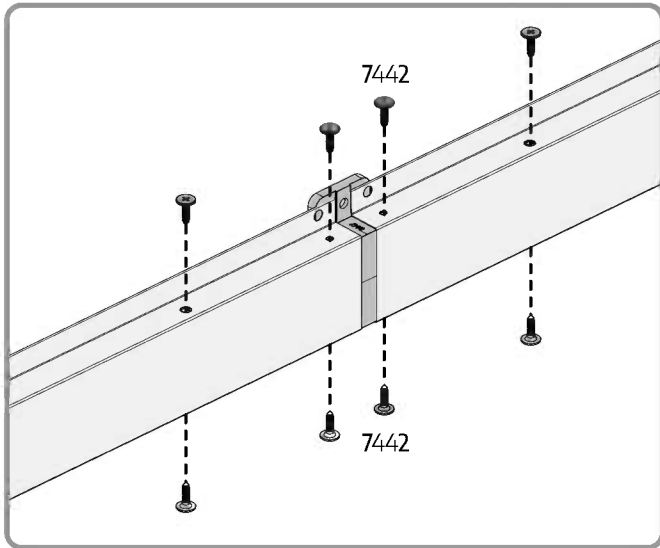
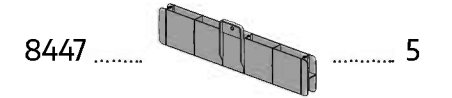
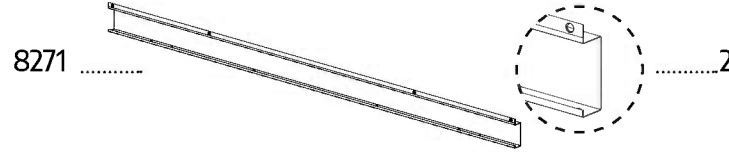
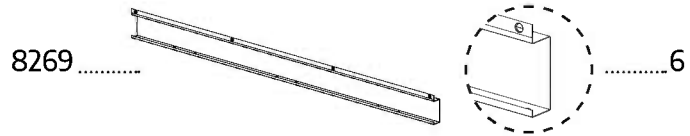


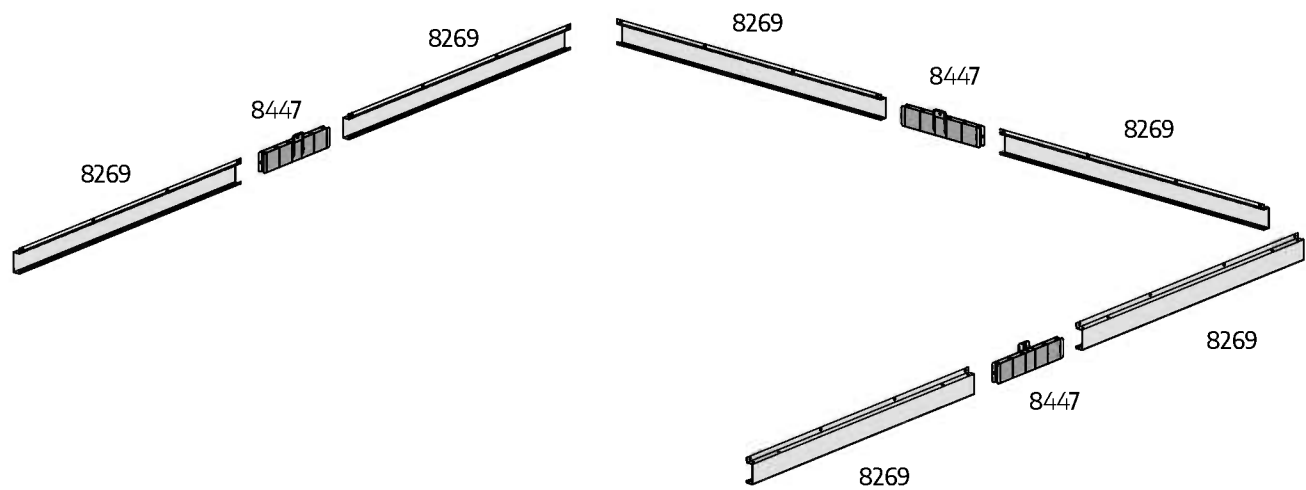
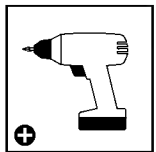
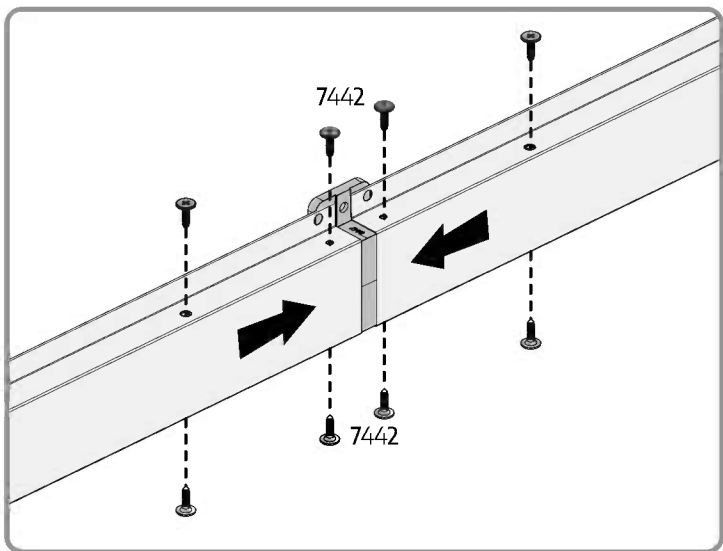
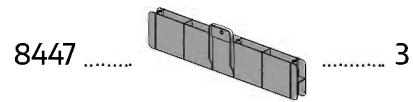
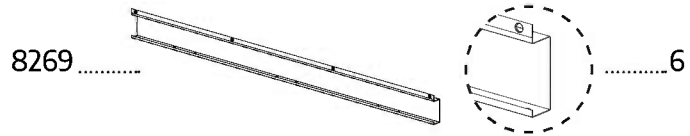






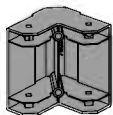
# 5 Extension Kit only



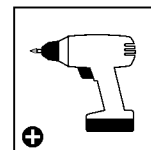
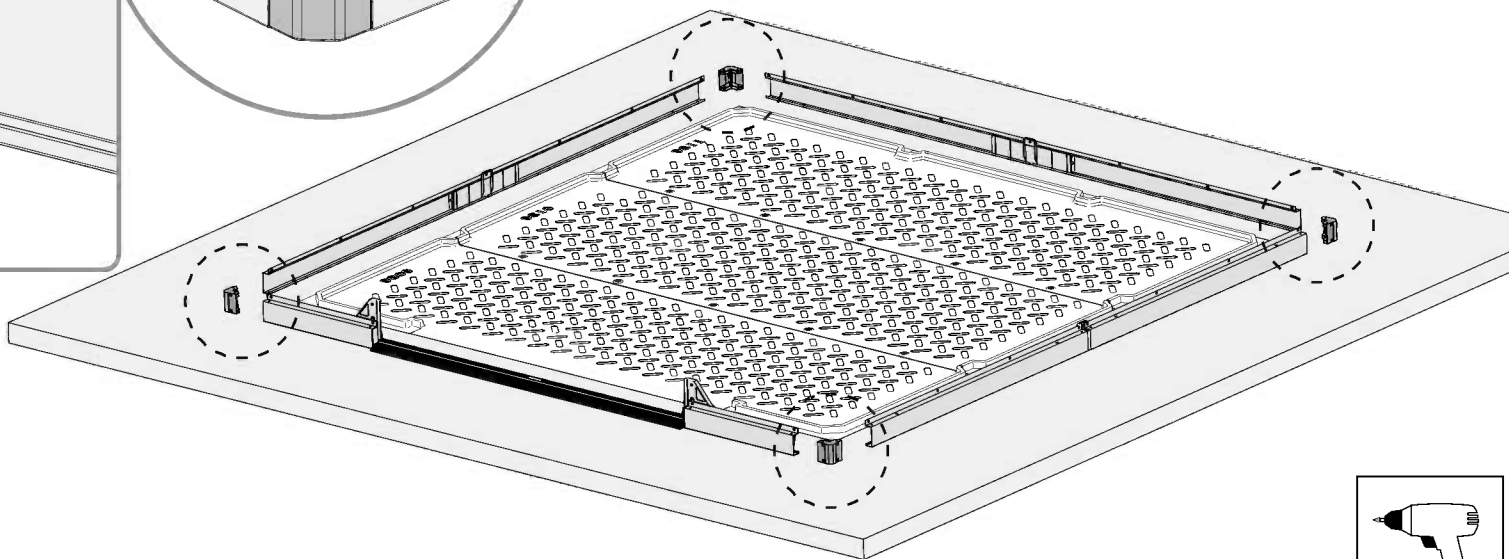
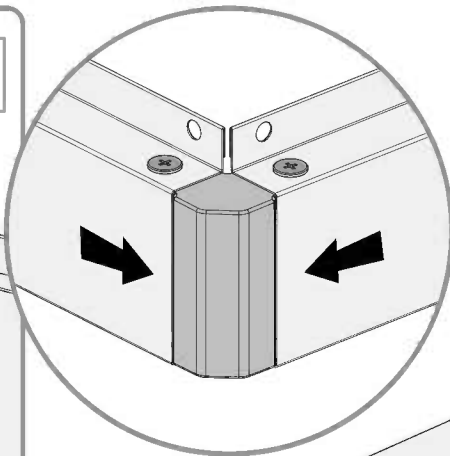
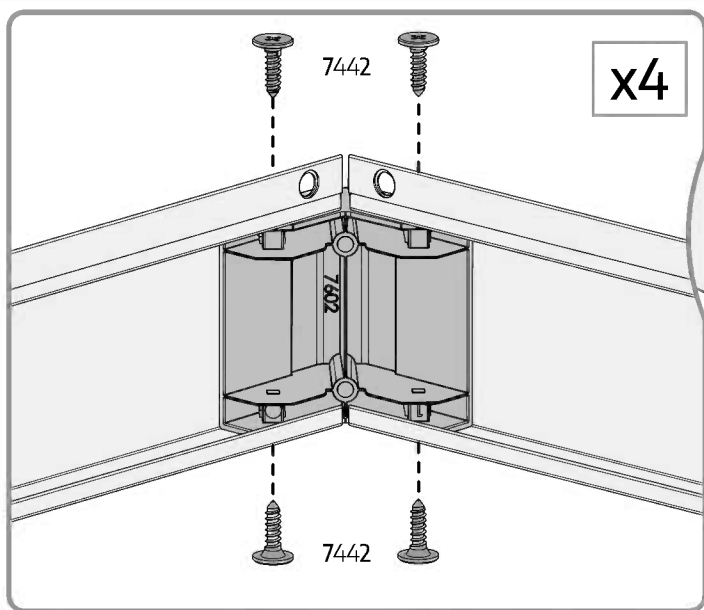


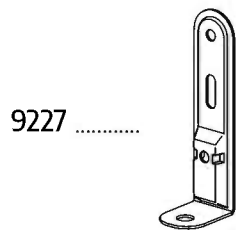


7602 ..... 4



7442 ..... 16





9227 ..... 6

8192 .....

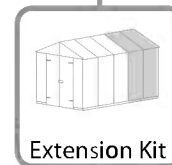


.....12

466 ....



... 12

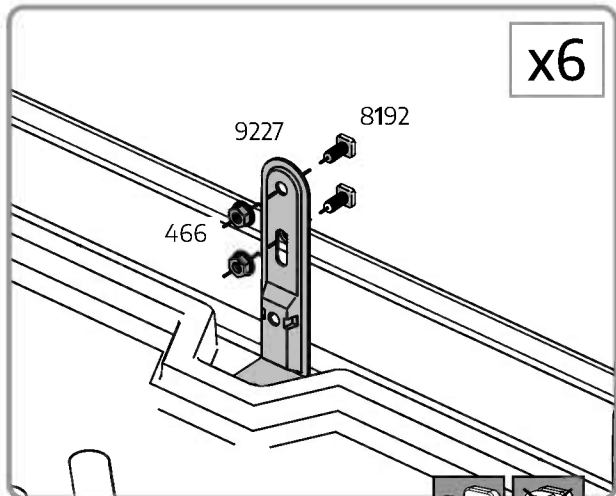


Extension Kit

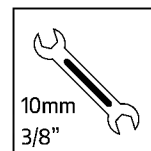
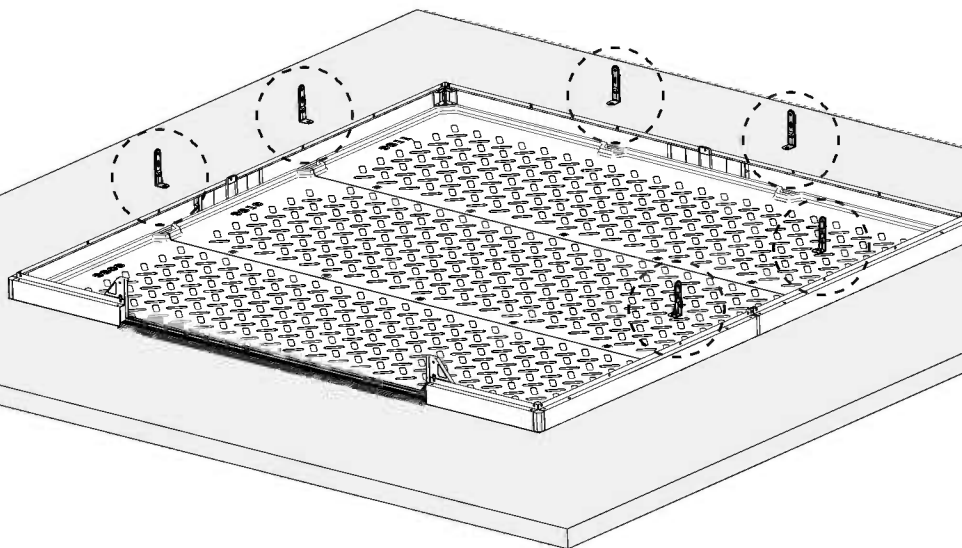
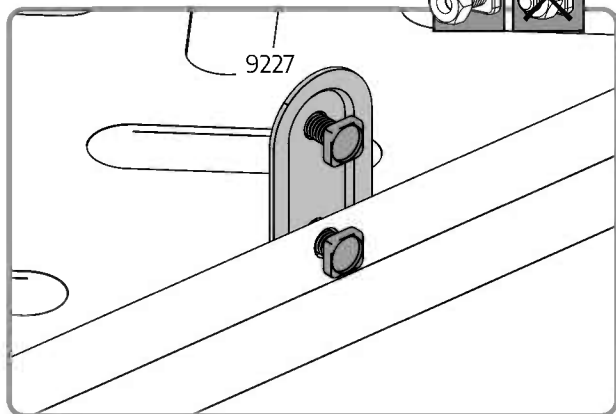
9227 ..... 4

8192 ..... 8

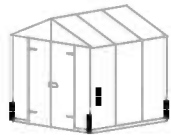
466 ..... 8



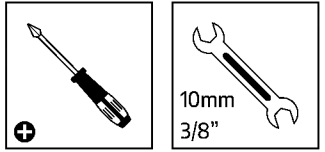
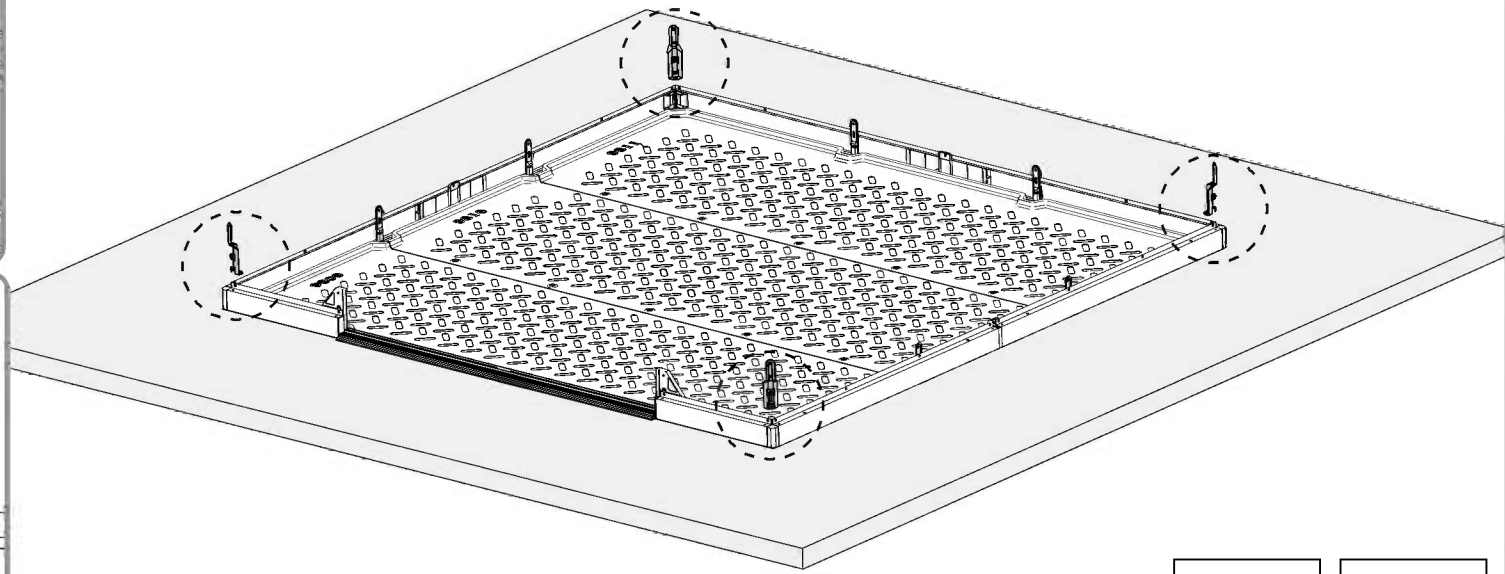
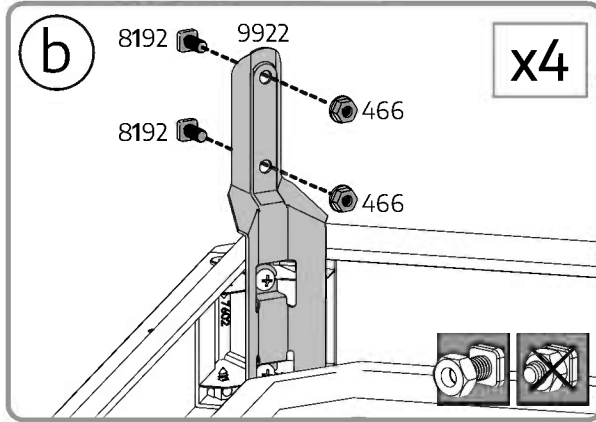
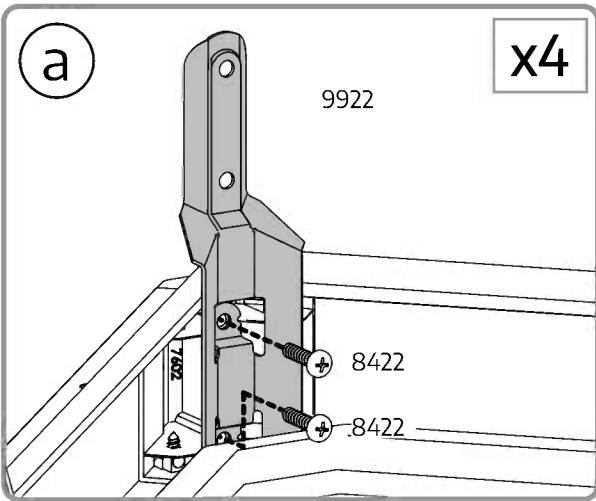
x6

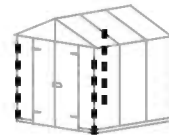


10mm  
3/8"

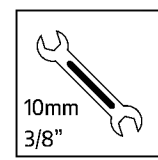
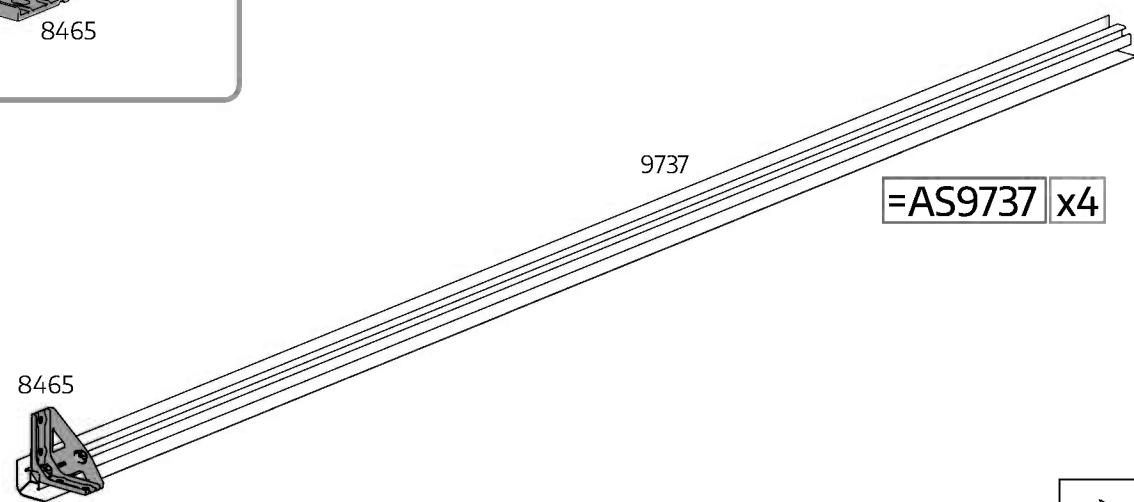
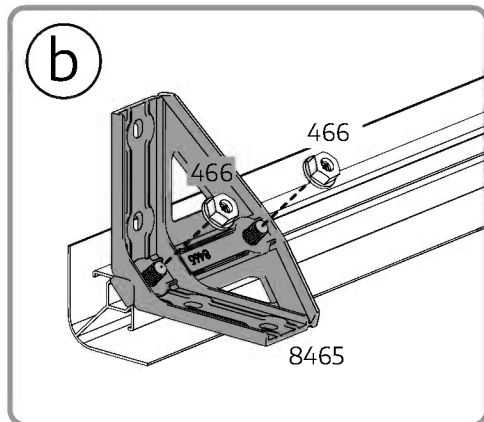
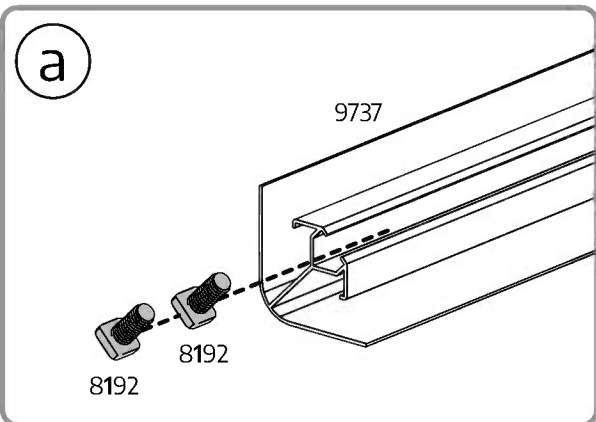


- 9922 ..... 4
- 8422 ..... 8
- 8192 ..... 8
- 466 ..... 8





- 9737.....  ..... 4
- 8465.....  ..... 4
- 8192 .....  ..... 8
- 466.....  ..... 8





9825 ..... 2  
Or  
1327

9736 ..... 4

7284 ..... 8

466 ..... 8

Extension Kit

1327	.....	2
9736	.....	4
7284	.....	8
466	.....	8

**a**

7284

466

9825 / 1327

**b**

9736

9825 / 1327

20CM / 7 7/8"

9736

9825 / 1327

=AS1327 x2

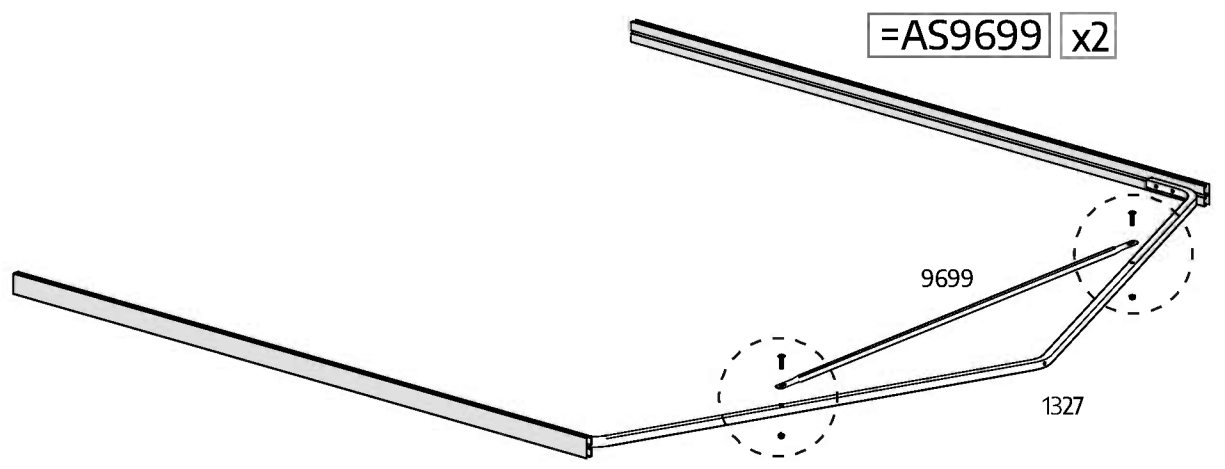
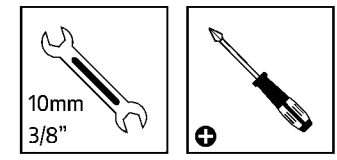
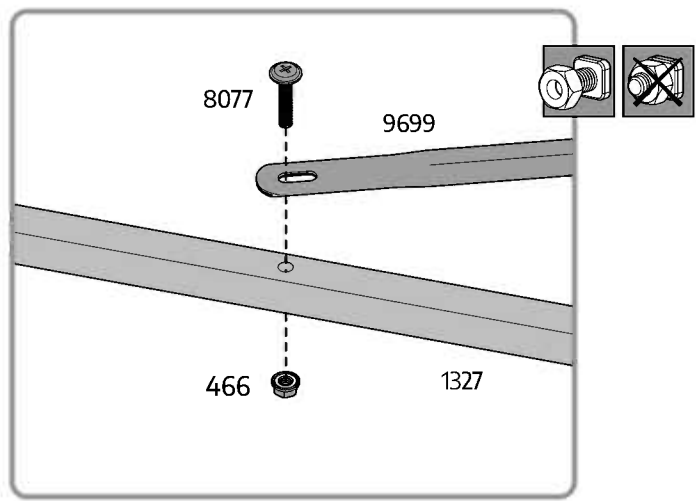
10mm  
3/8"

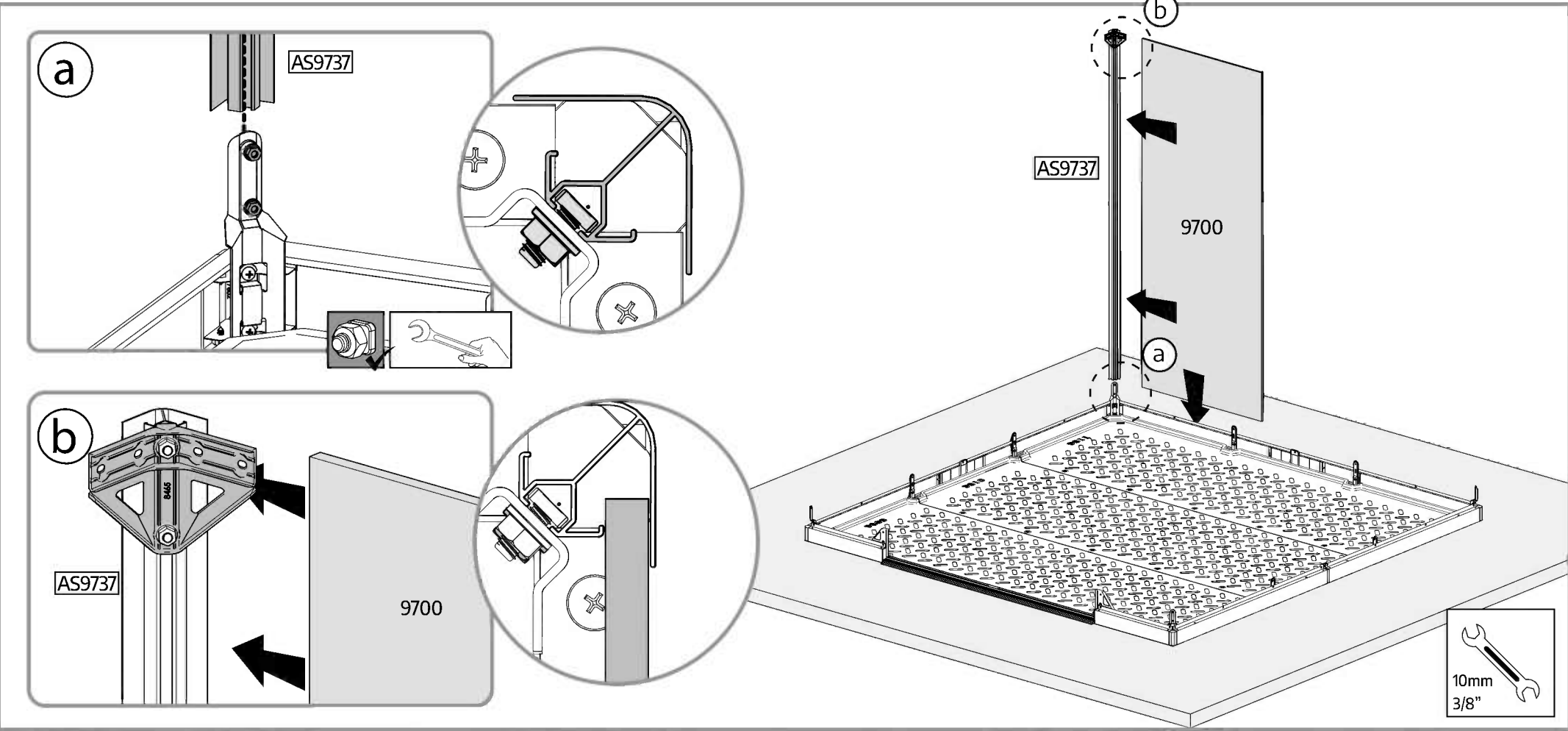
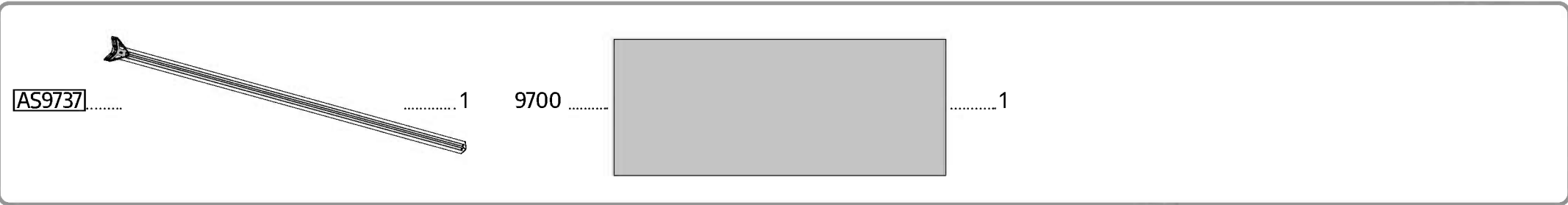
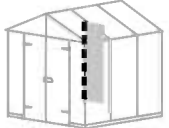


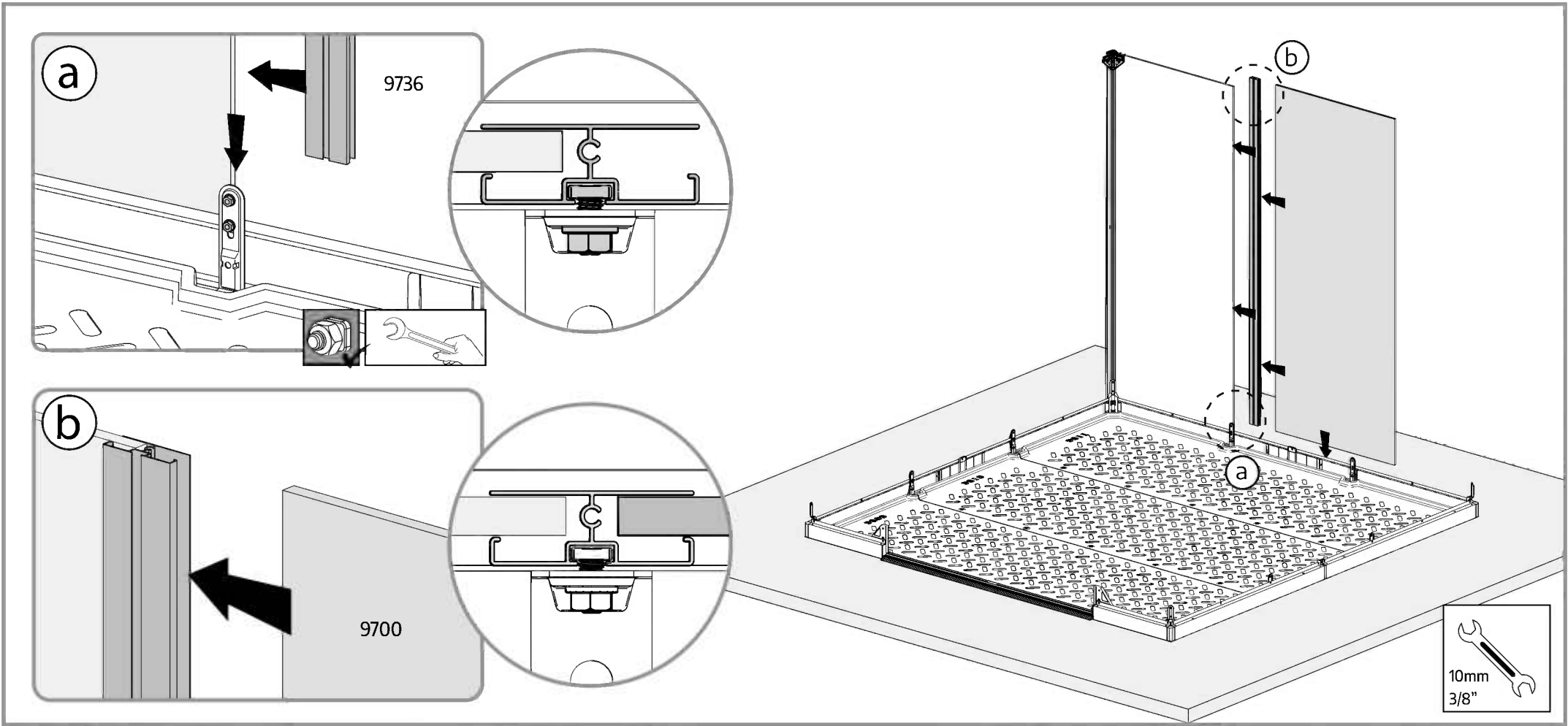
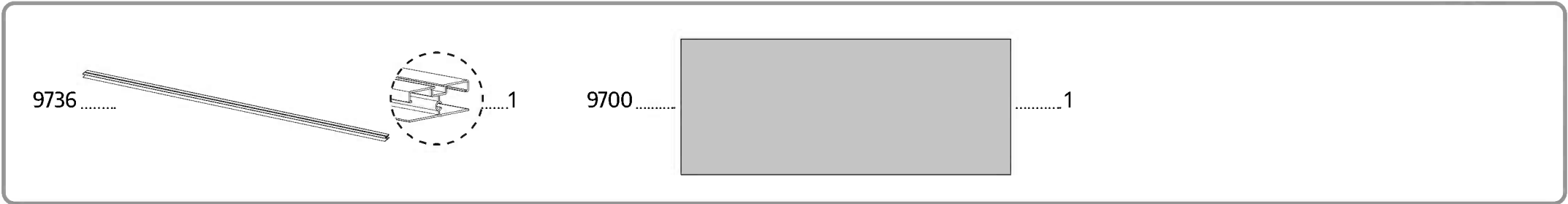
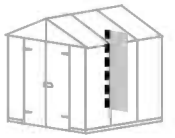
# 12 Extension Kit only

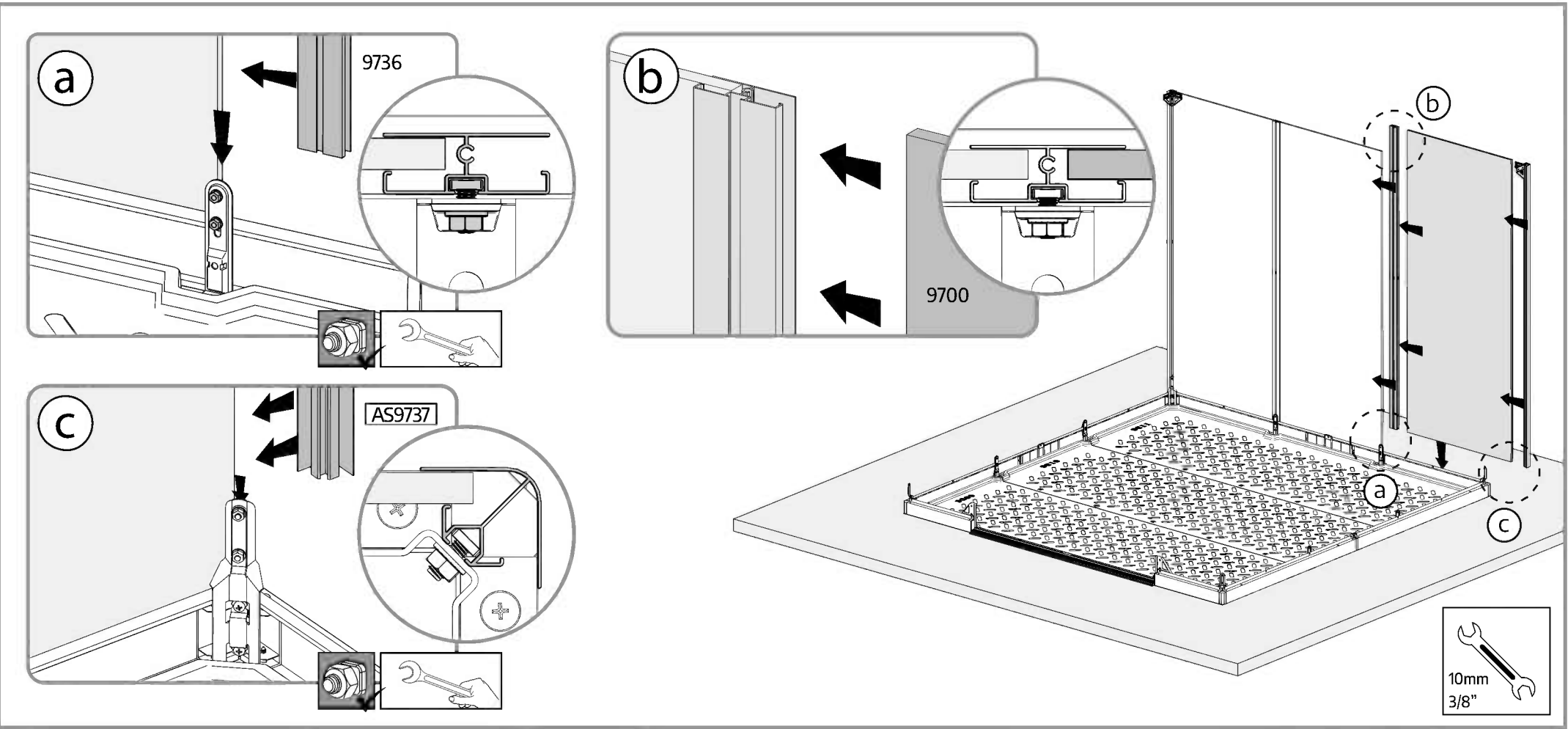
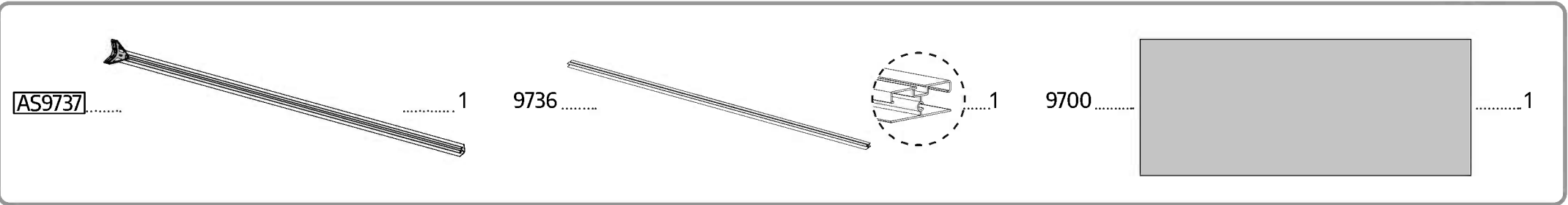
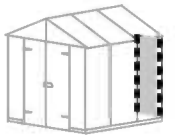


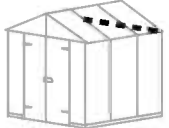
- 9699..... ..... 2
- 8077..... ..... 4
- 466..... ..... 4



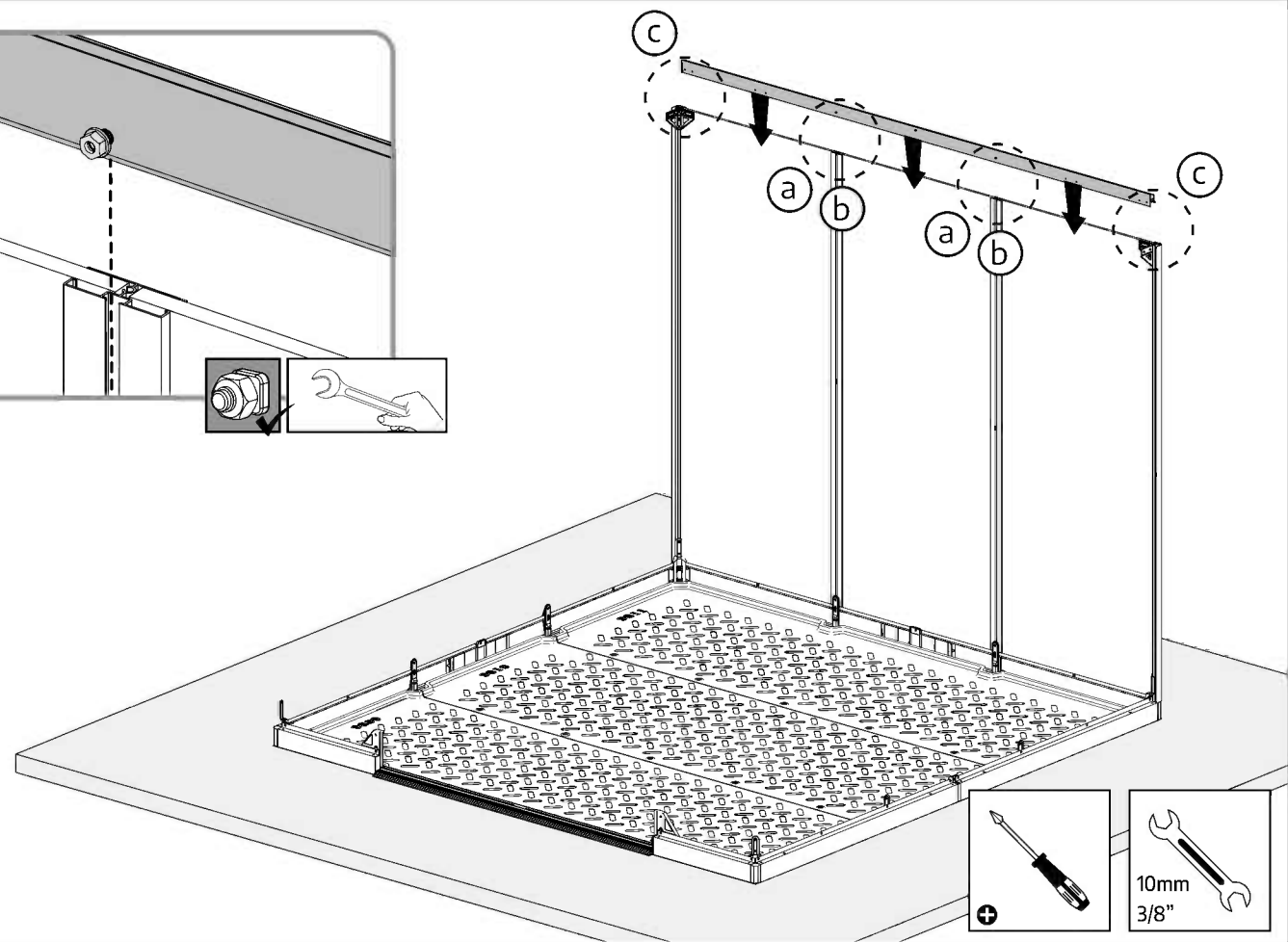
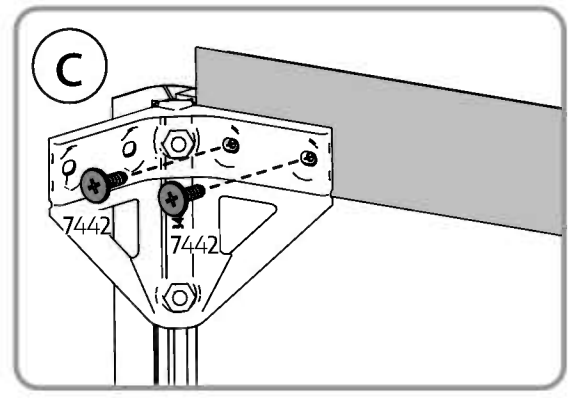
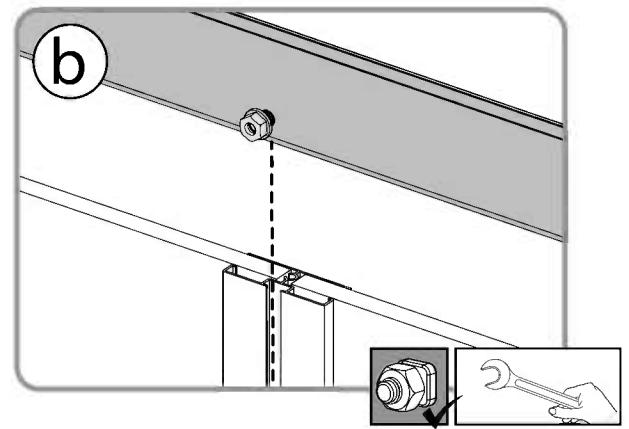
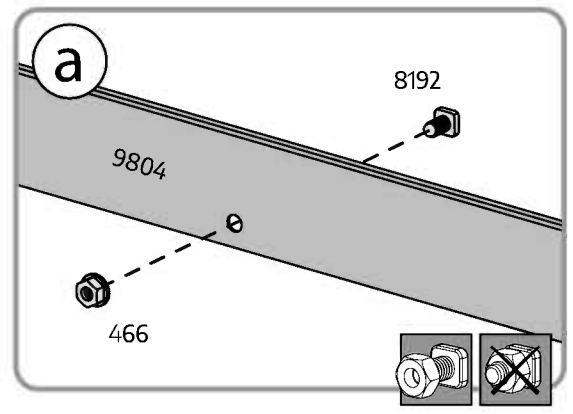


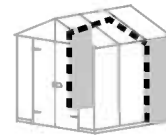






- 9804 ..... 1      8192 ..... 2      466 ..... 2      7442 ..... 4

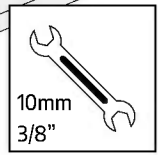
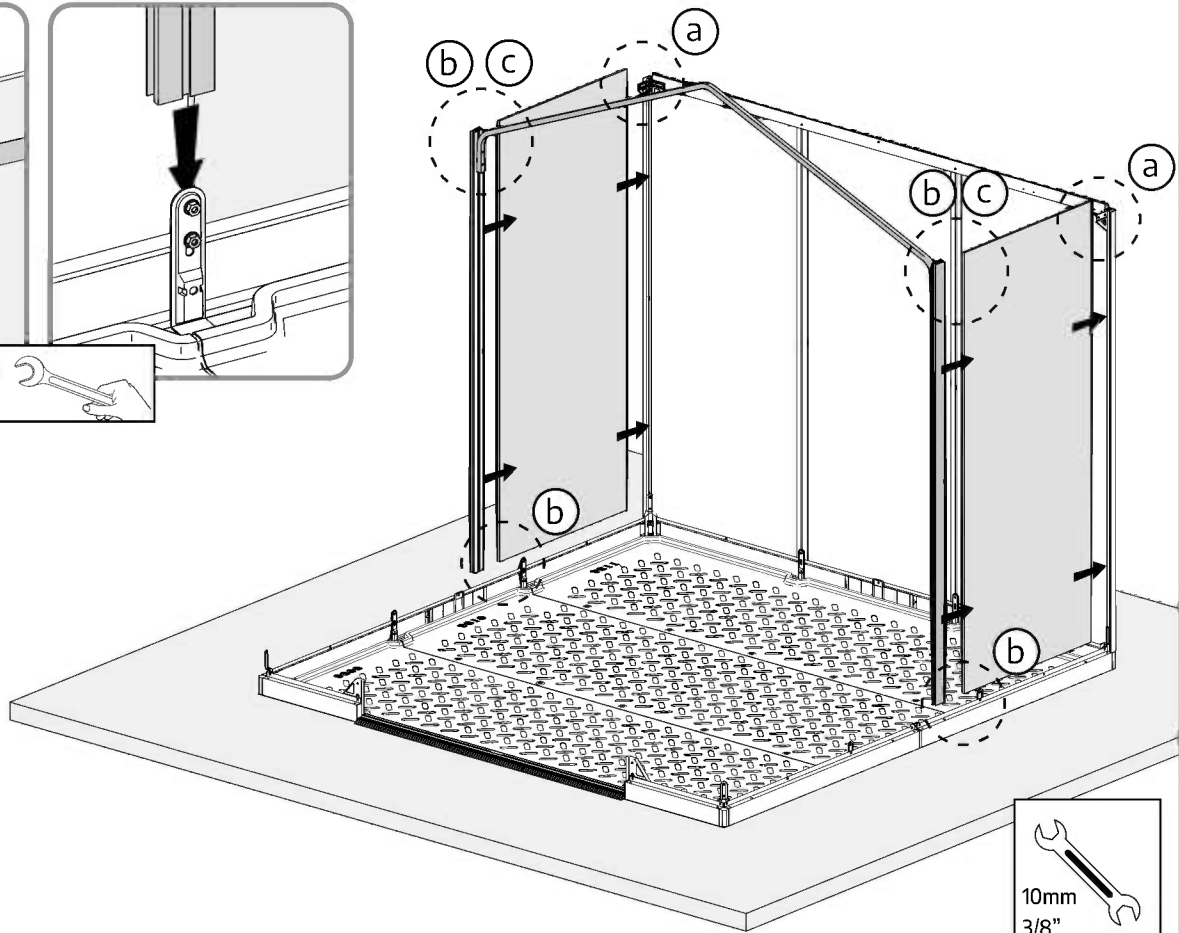
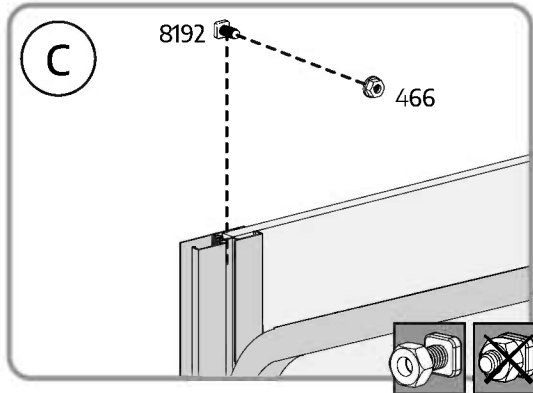
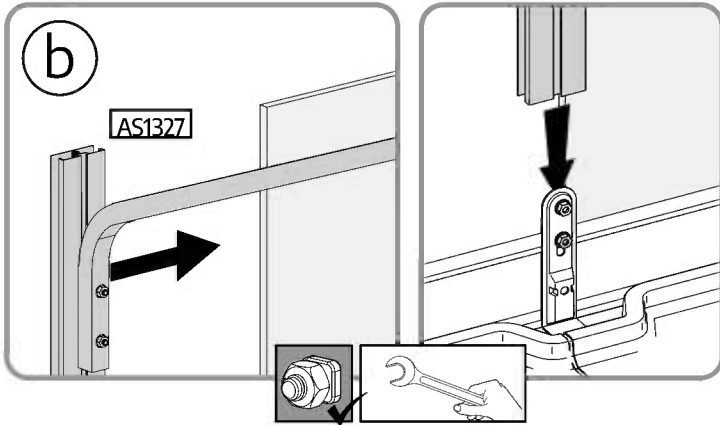
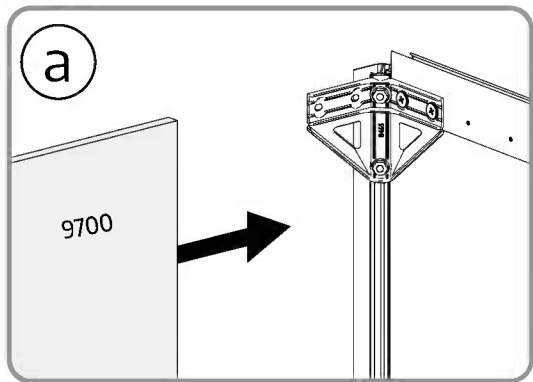




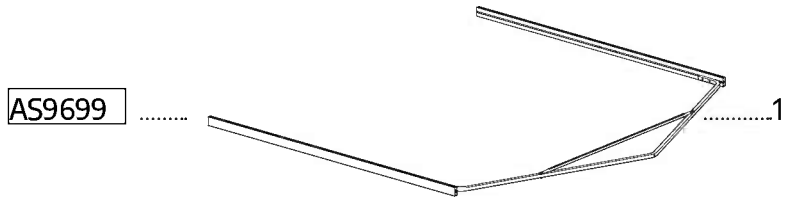
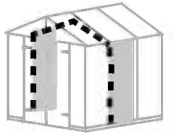
AS1327 ..... 1      9700 ..... 2

466 ..... 2

8192 ..... 2



# 18 Extension Kit only



9700.....



466.....

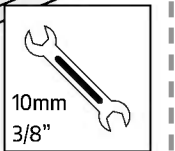
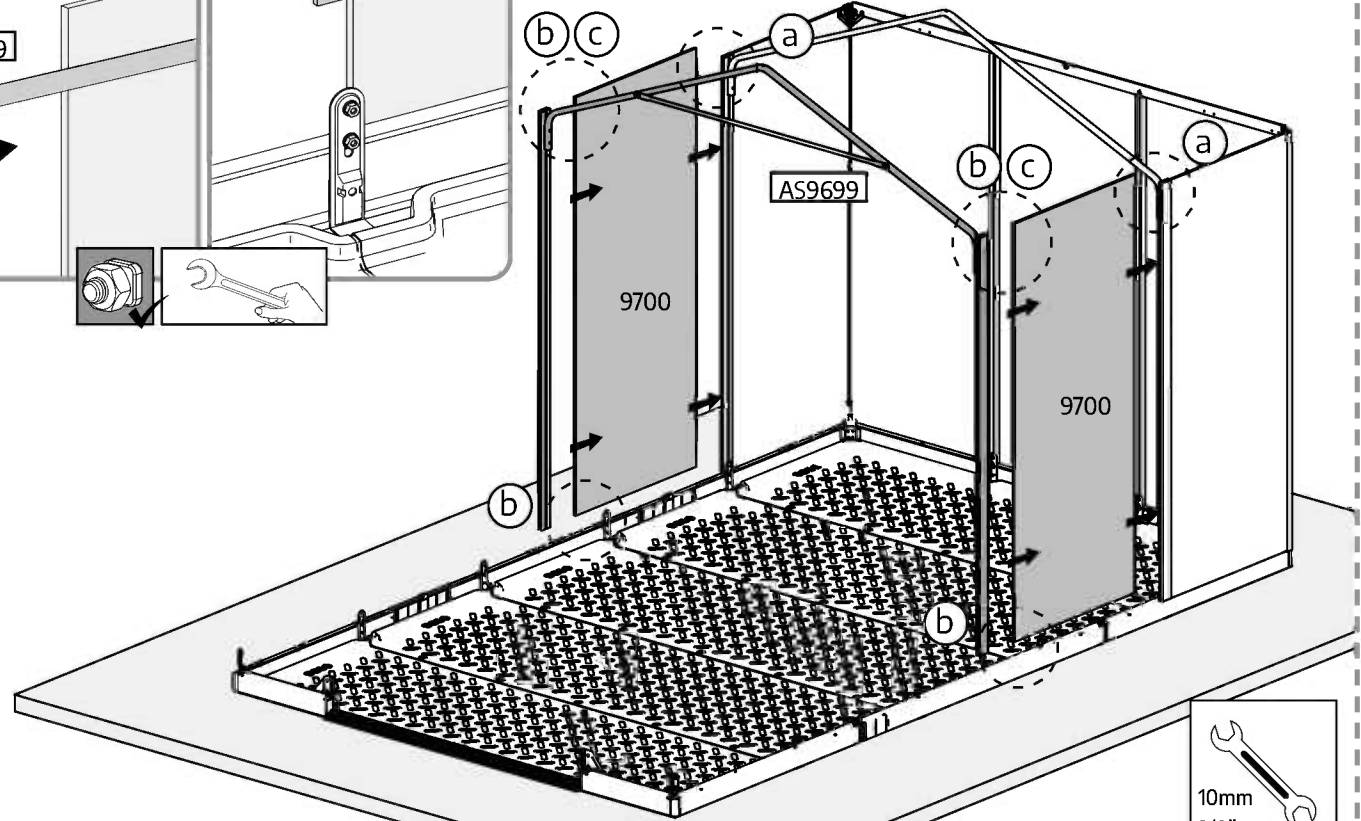
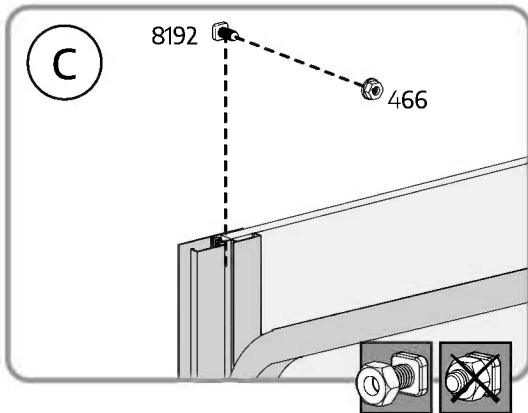
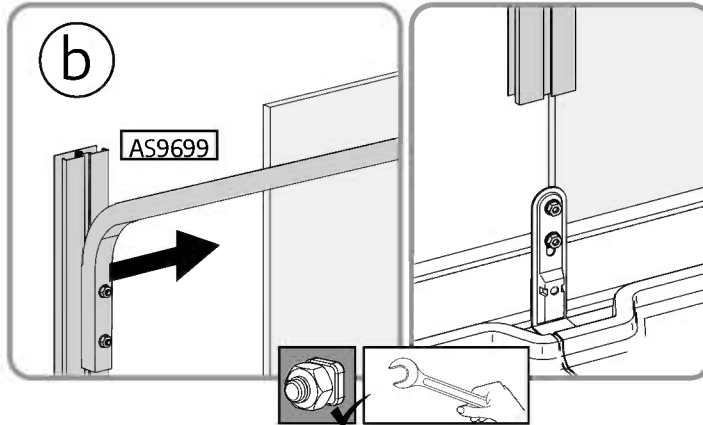
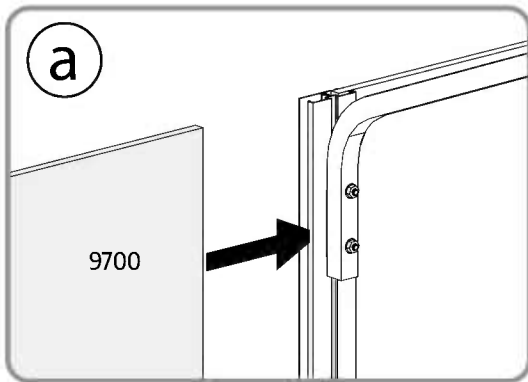


.....2

8192.....

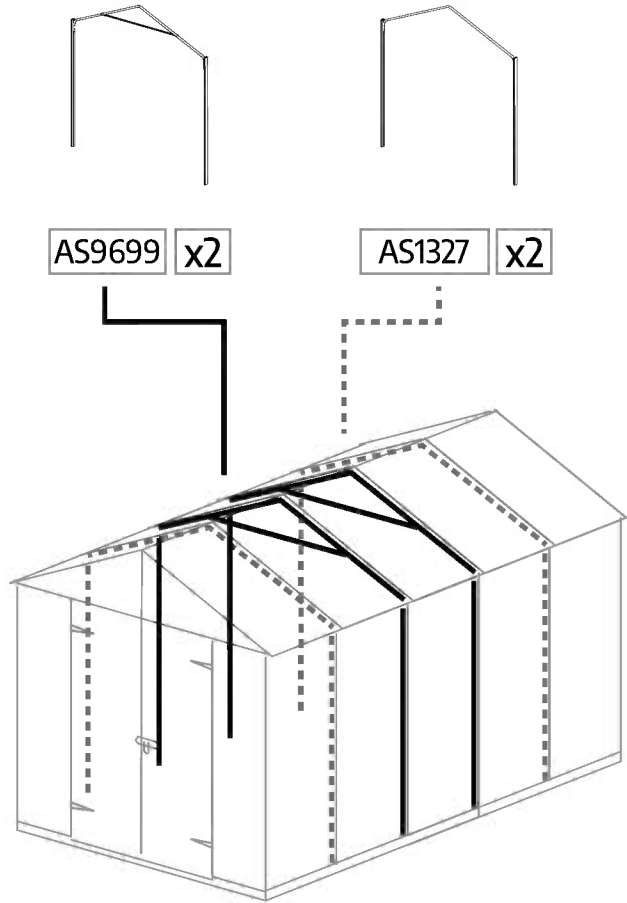
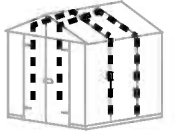


.....2

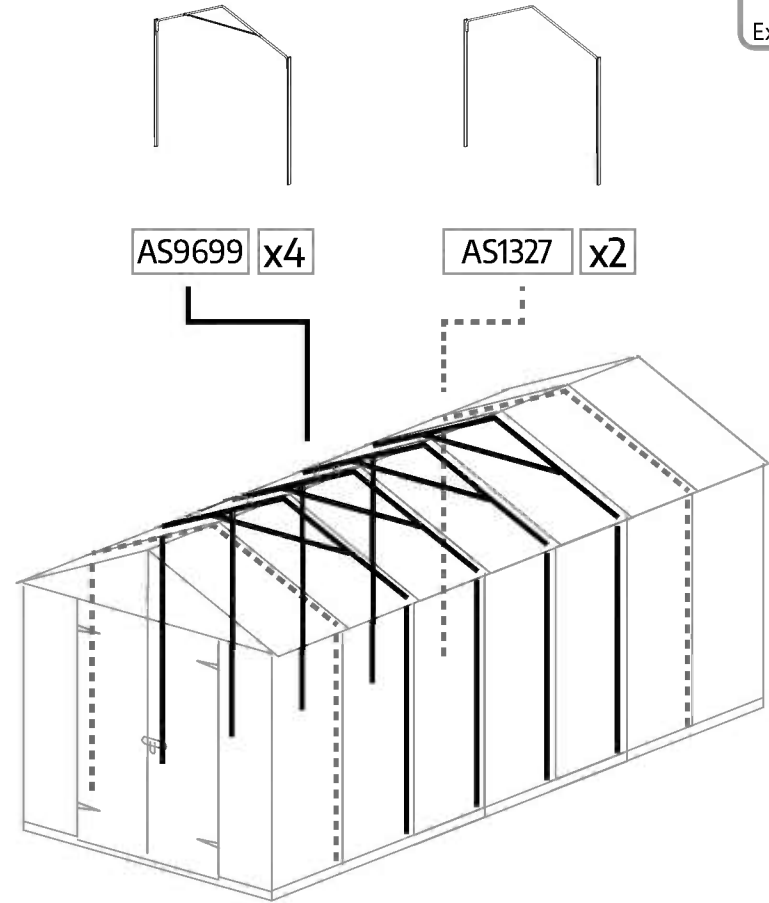




Make sure to connect the reinforcement arches in the order shown, assemble according to the size of the product purchased.  
**Essential for product stability and durability!**

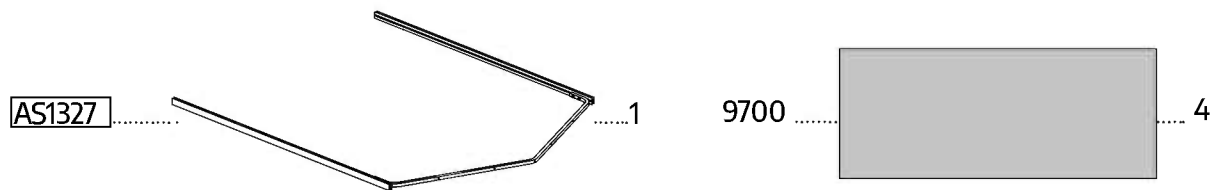
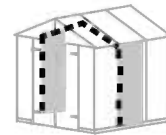



RUIBCON 8x13



RUIBCON 8x18

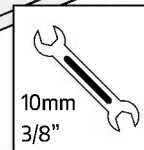
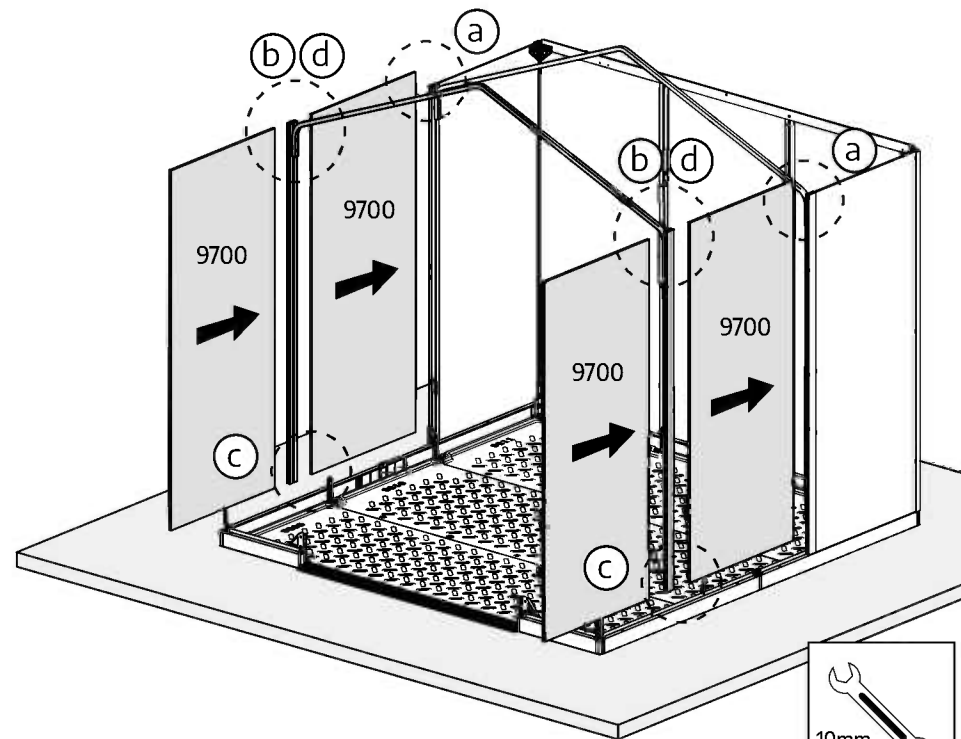
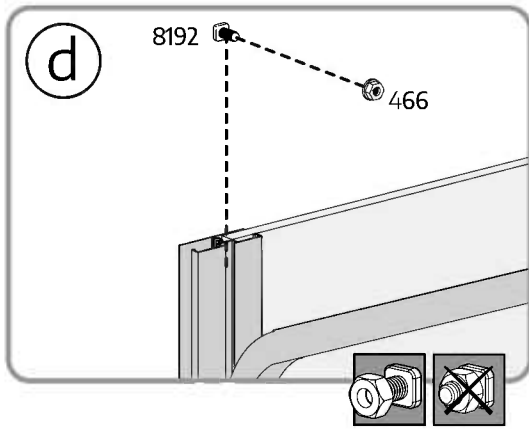
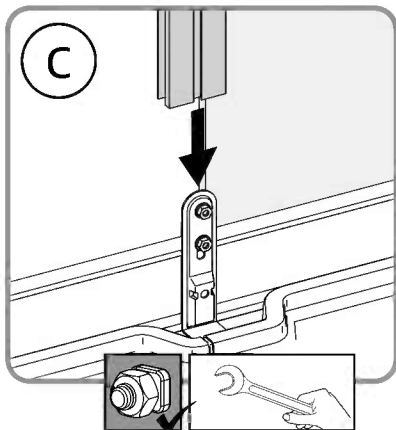
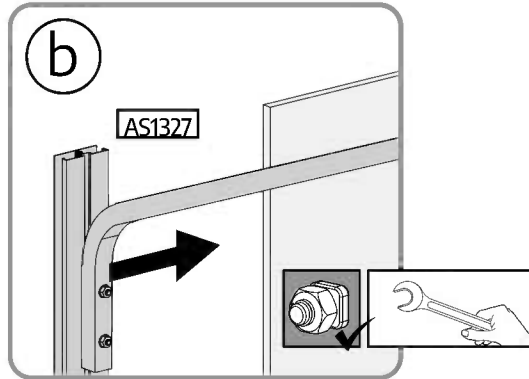
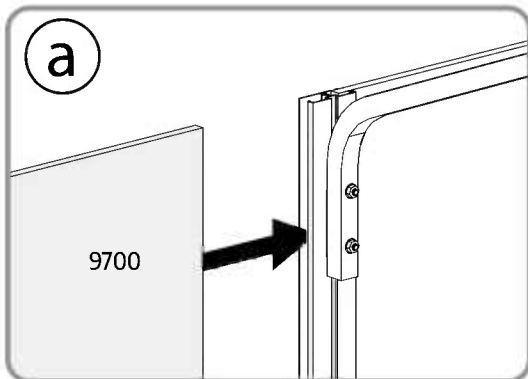


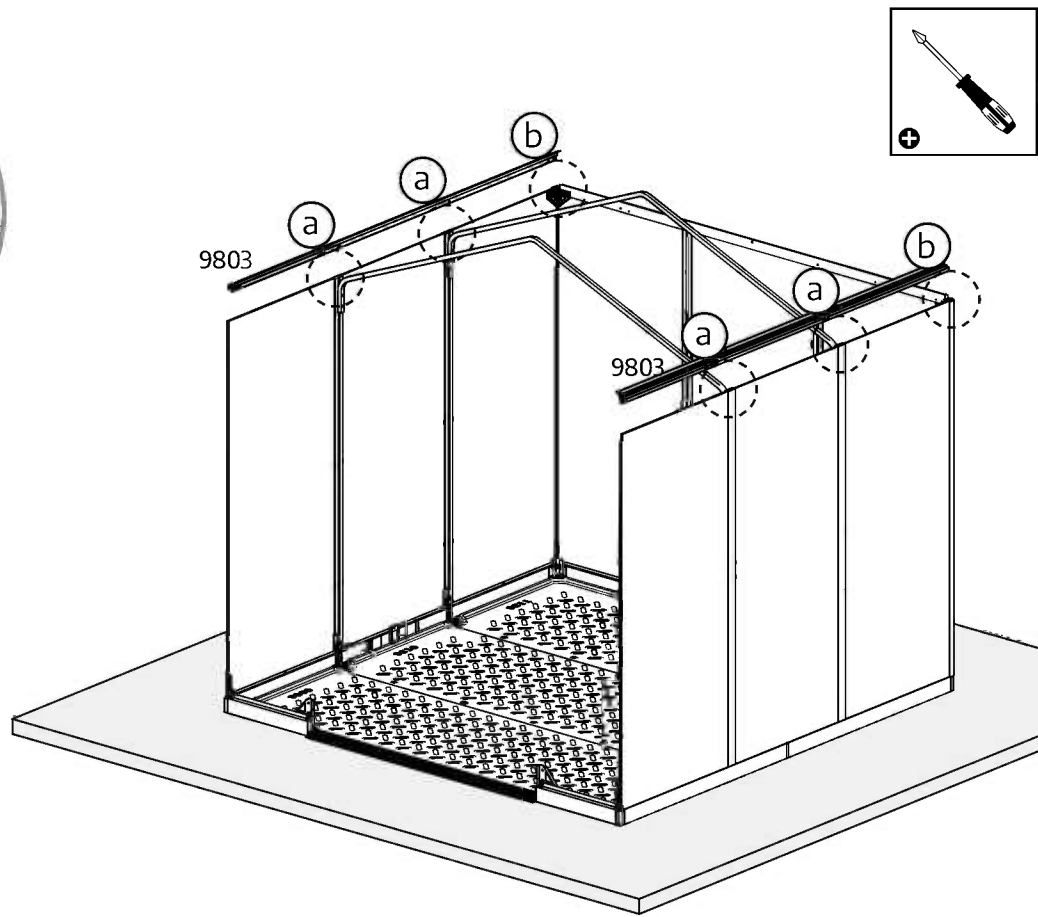
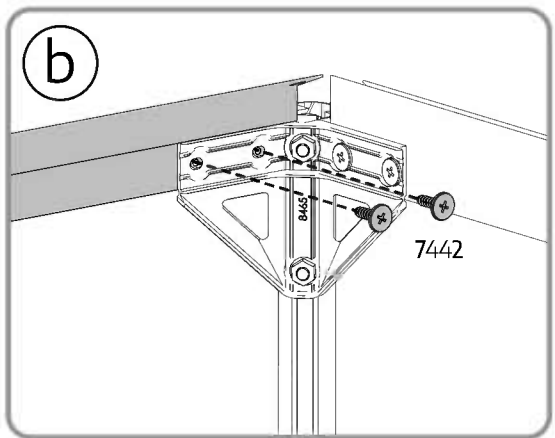
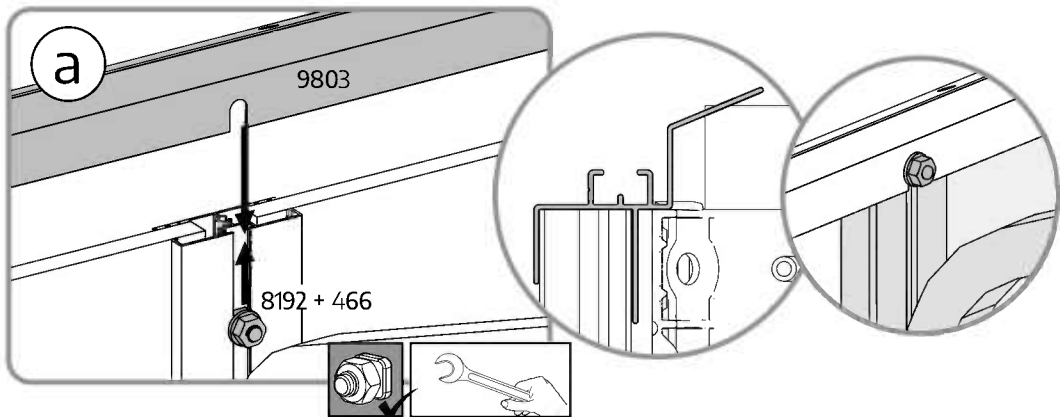
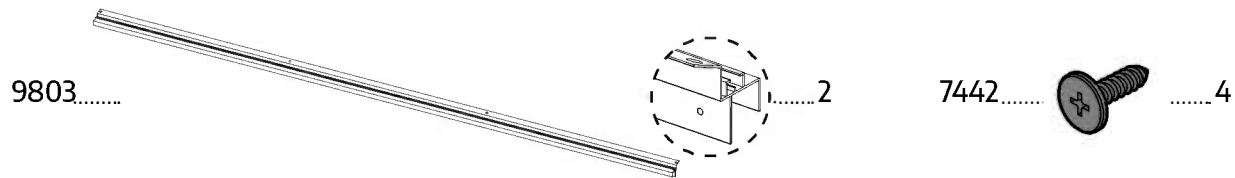




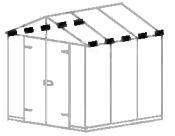
Extension Kit

9700 .....	2
AS9699 .....	1
466 .....	2
8192 .....	2

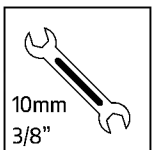
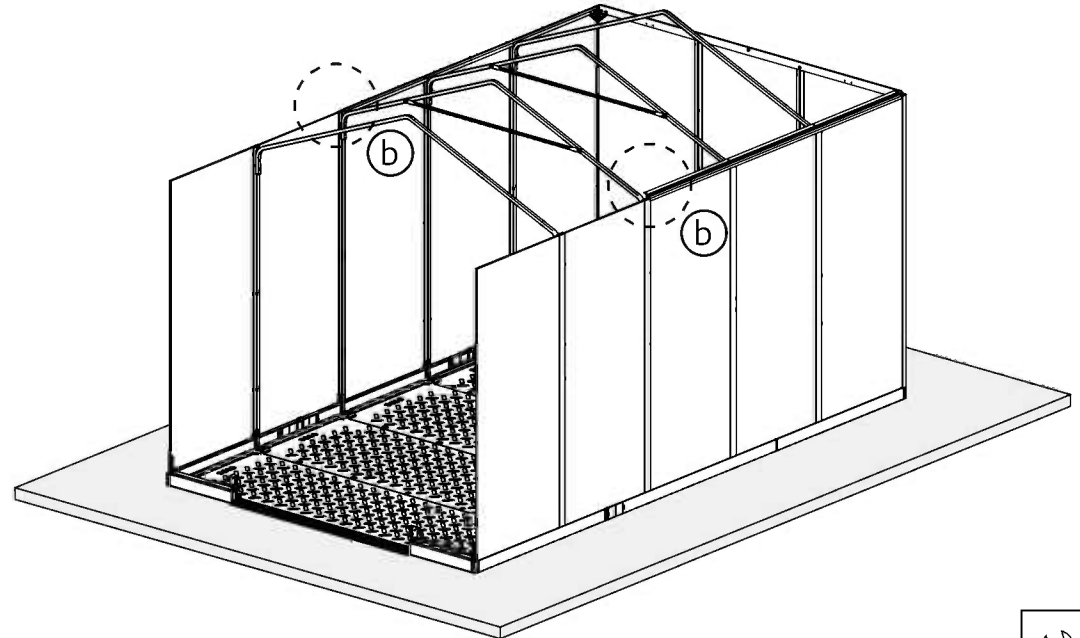
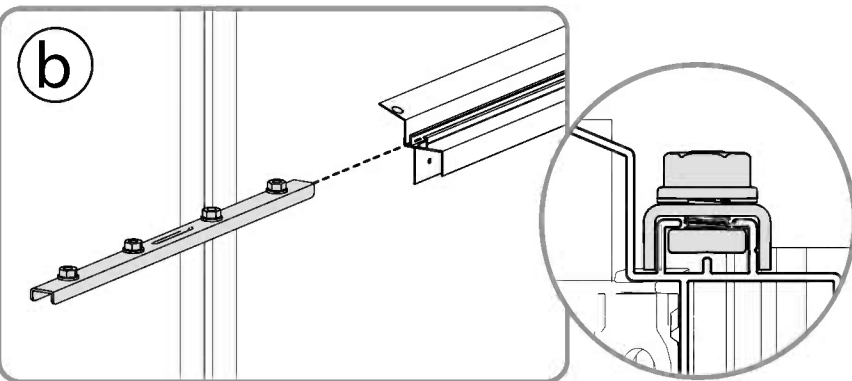
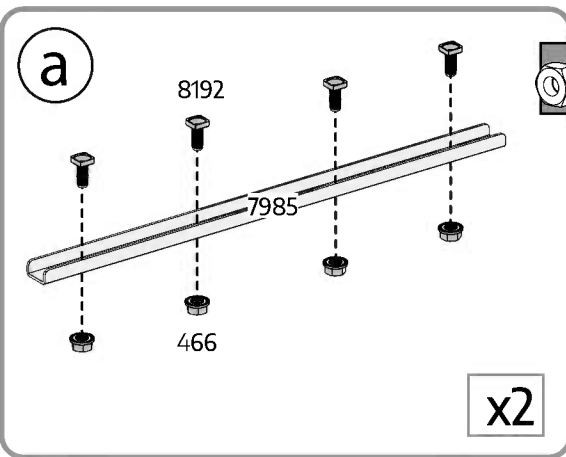




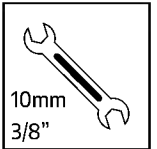
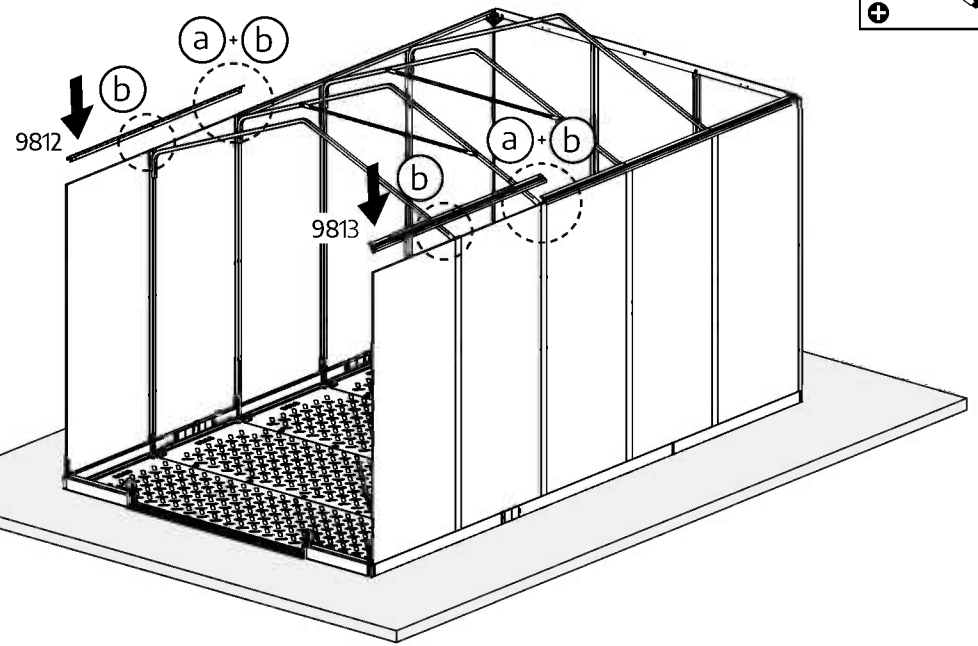
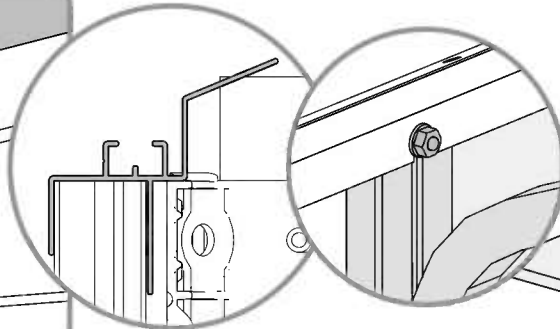
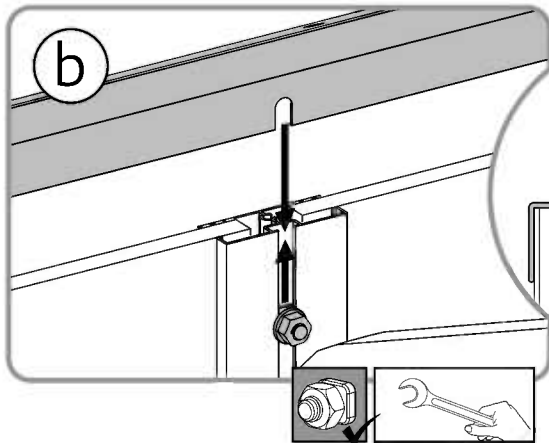
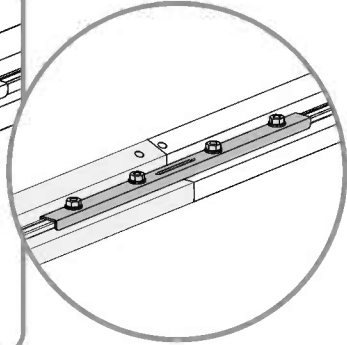
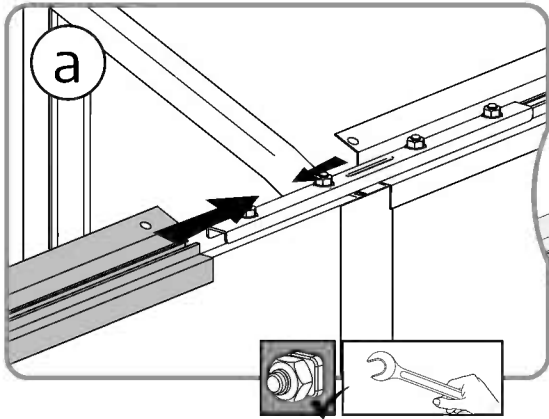
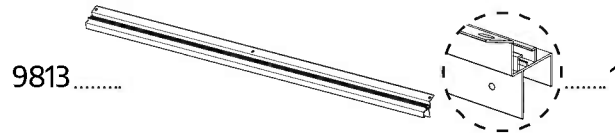
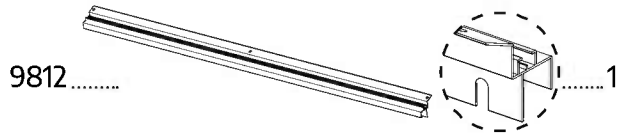
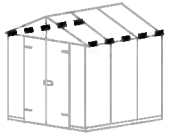
# 22 Extension Kit only



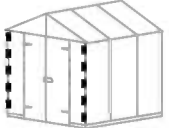
- 7985..... 2      466..... 8      8192..... 8
- 



# 23 Extension Kit only



+

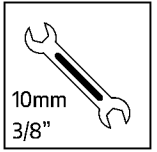
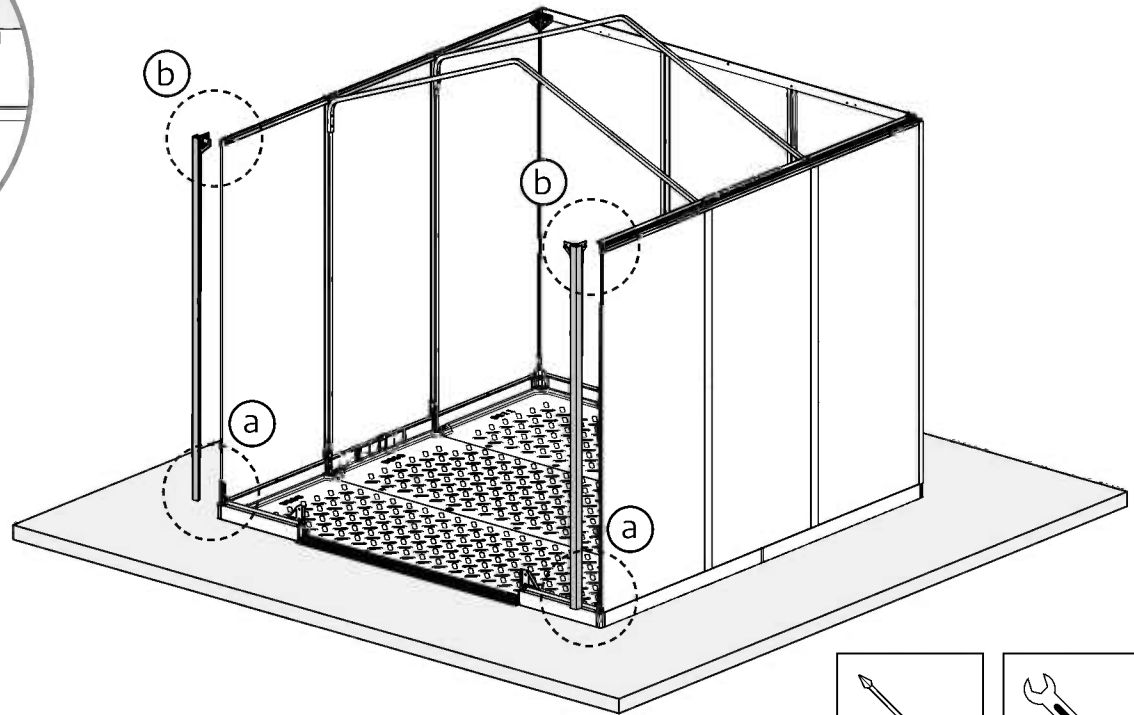
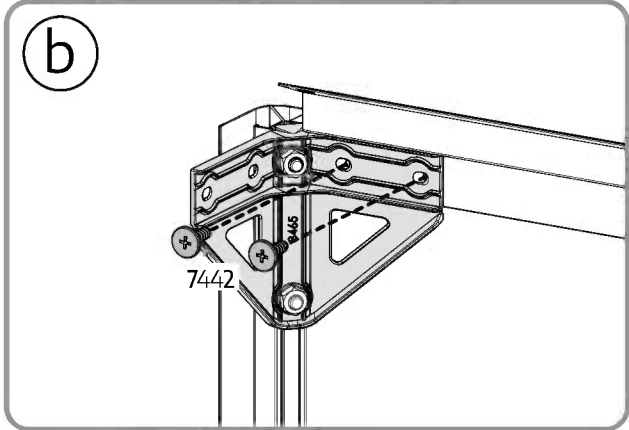
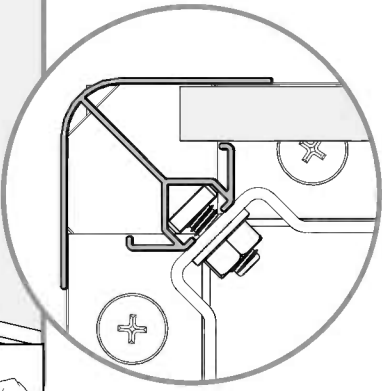
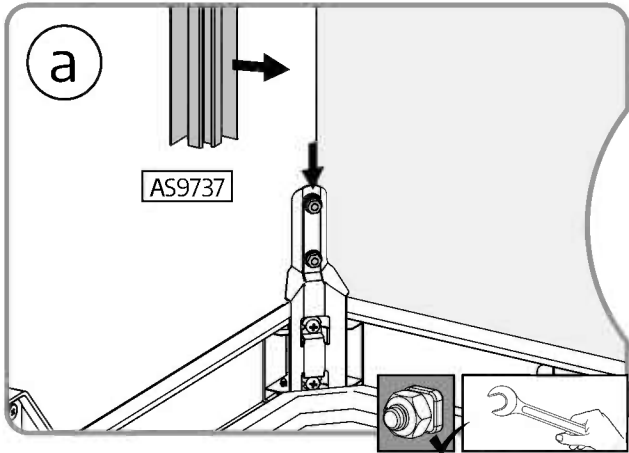
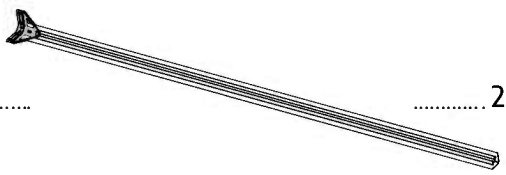


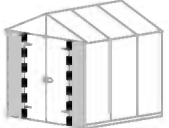
AS9737.....

.....2

7442.....

.....4





9827 ..... 2      7725 ..... 2      9808 ..... 2      7442 ..... 4

**a**

9827

**b**

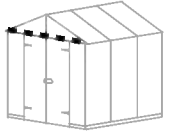
7725

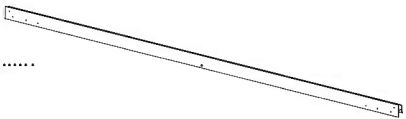




**c**

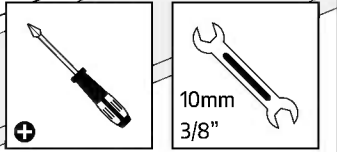
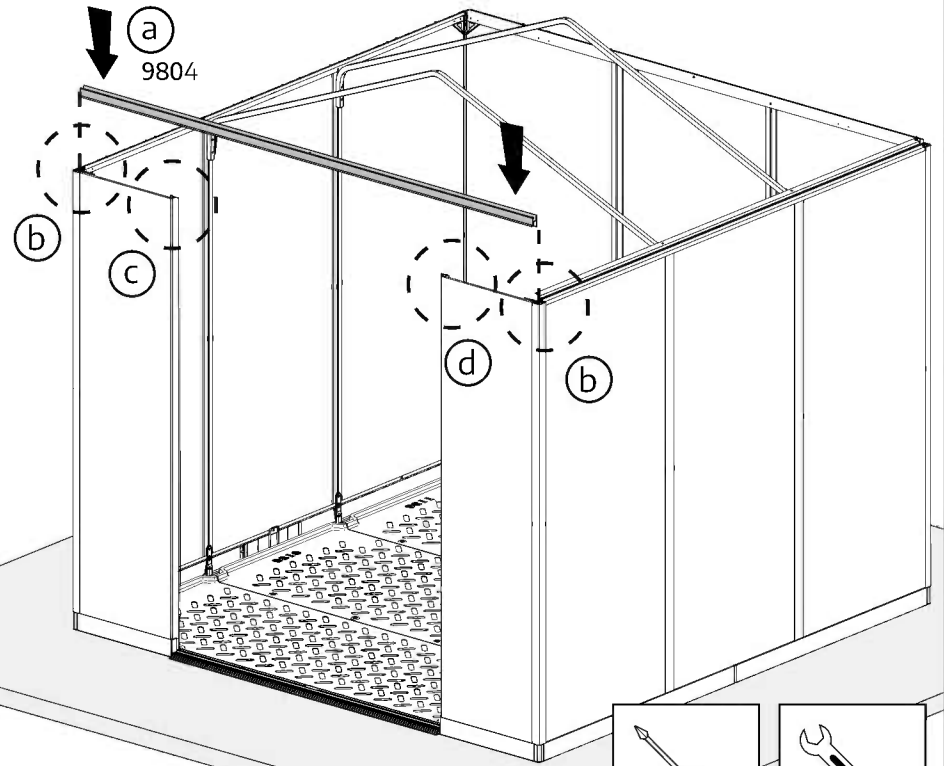
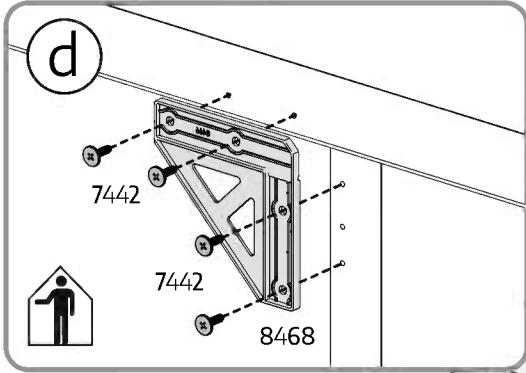
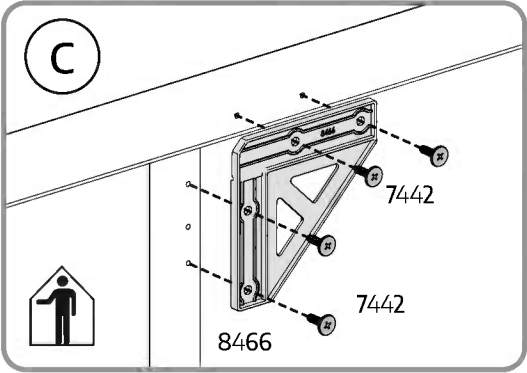
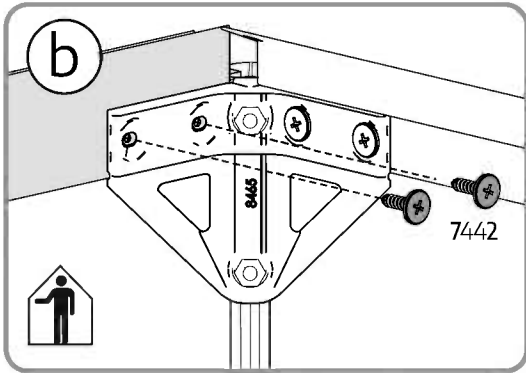
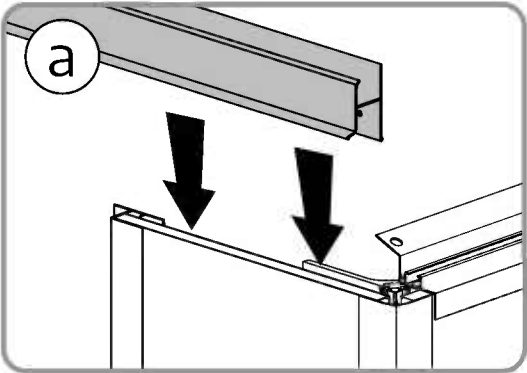
9808

7442

7442



9804..........1 .....1 8466..........1 8468..........1 7442..........12

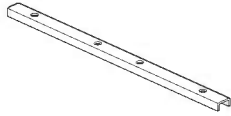




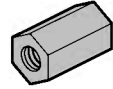
9805 ..... 1



7985 ..... 2



8050 ..... 1



8192 ..... 10

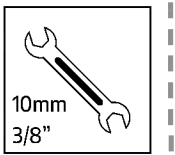
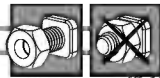
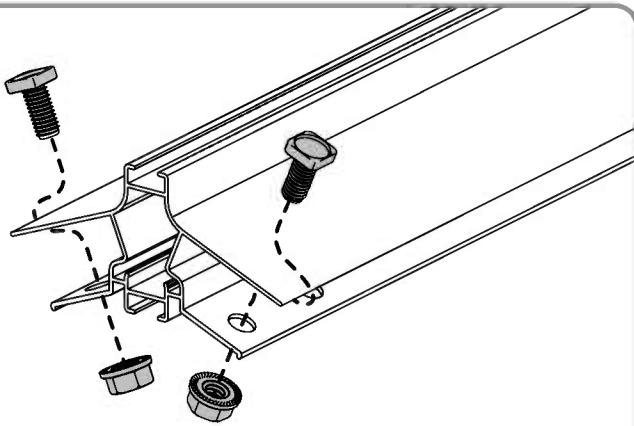


466 ..... 9

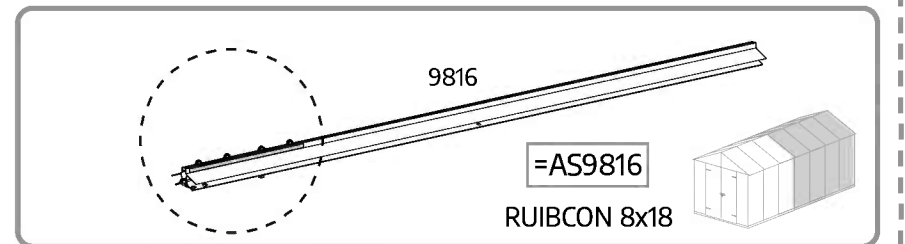
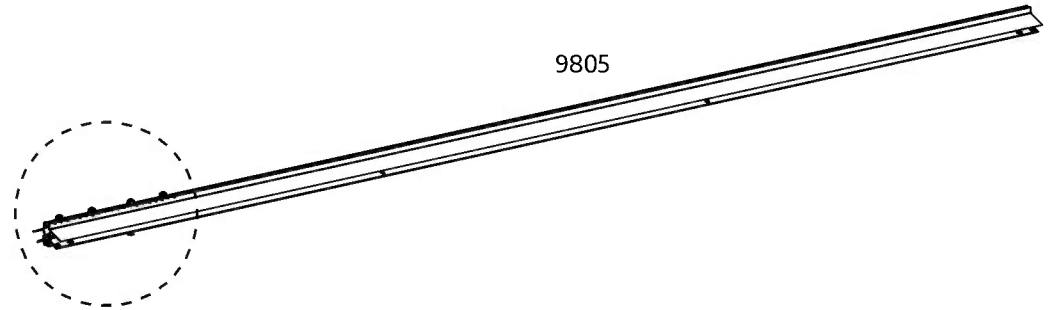
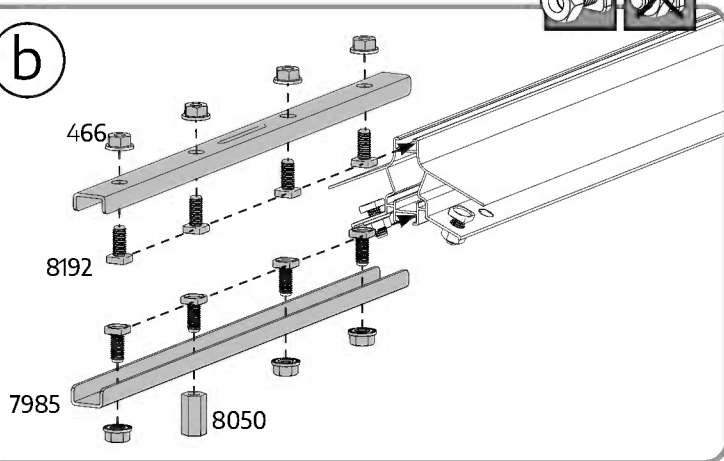


9816	.....	1
7985	.....	2
8050	.....	1
8192	.....	10
466	.....	9

a



b



=A59816  
RUIBCON 8x18



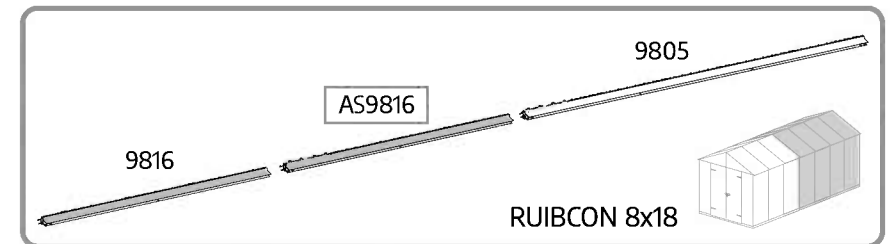
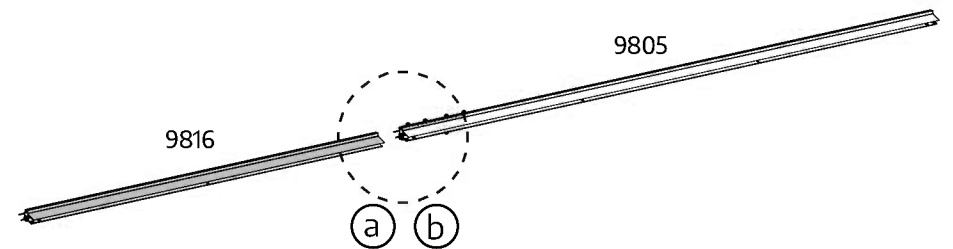
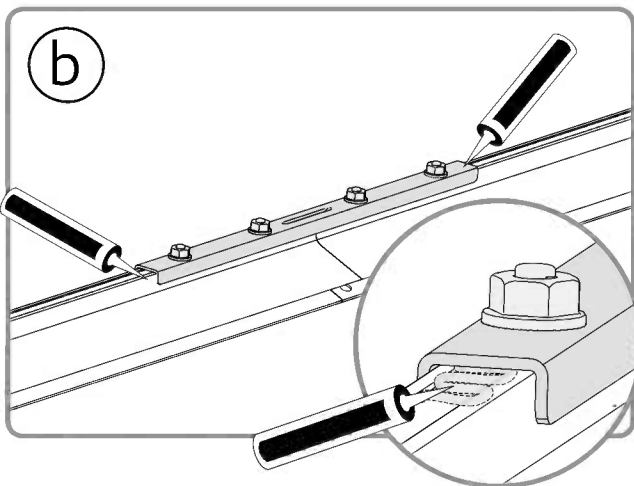
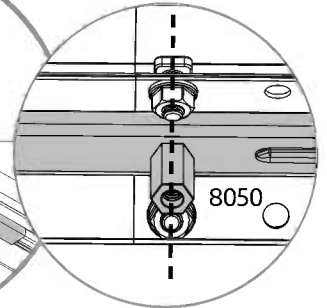
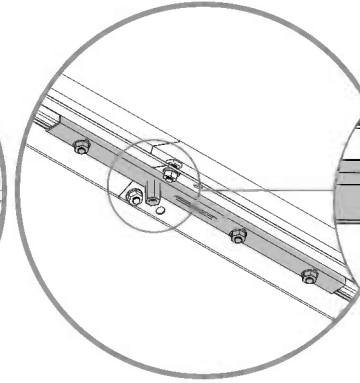
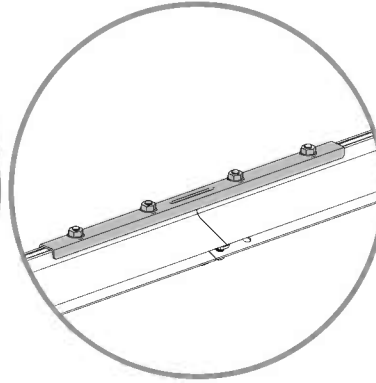
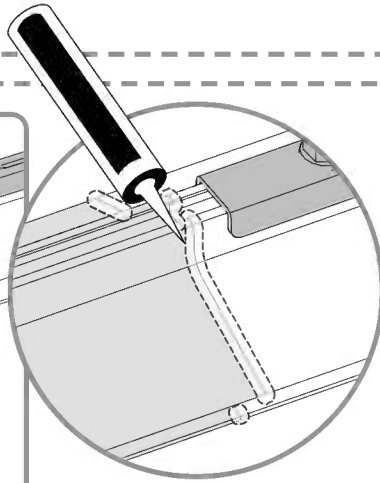
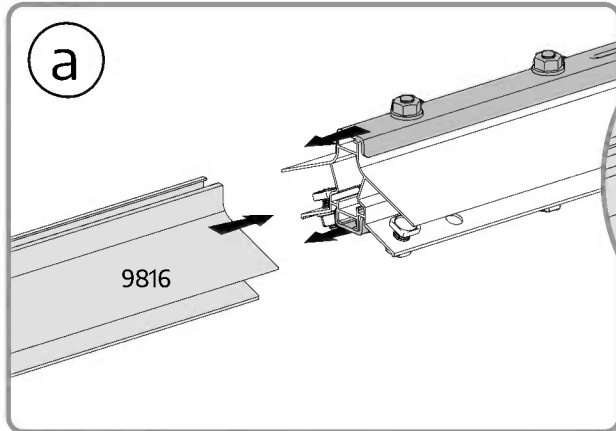


Please apply silicone (caulk) sealant at the connection between both Aluminum profiles (diagram a+c), in order to prevent water from seeping in.

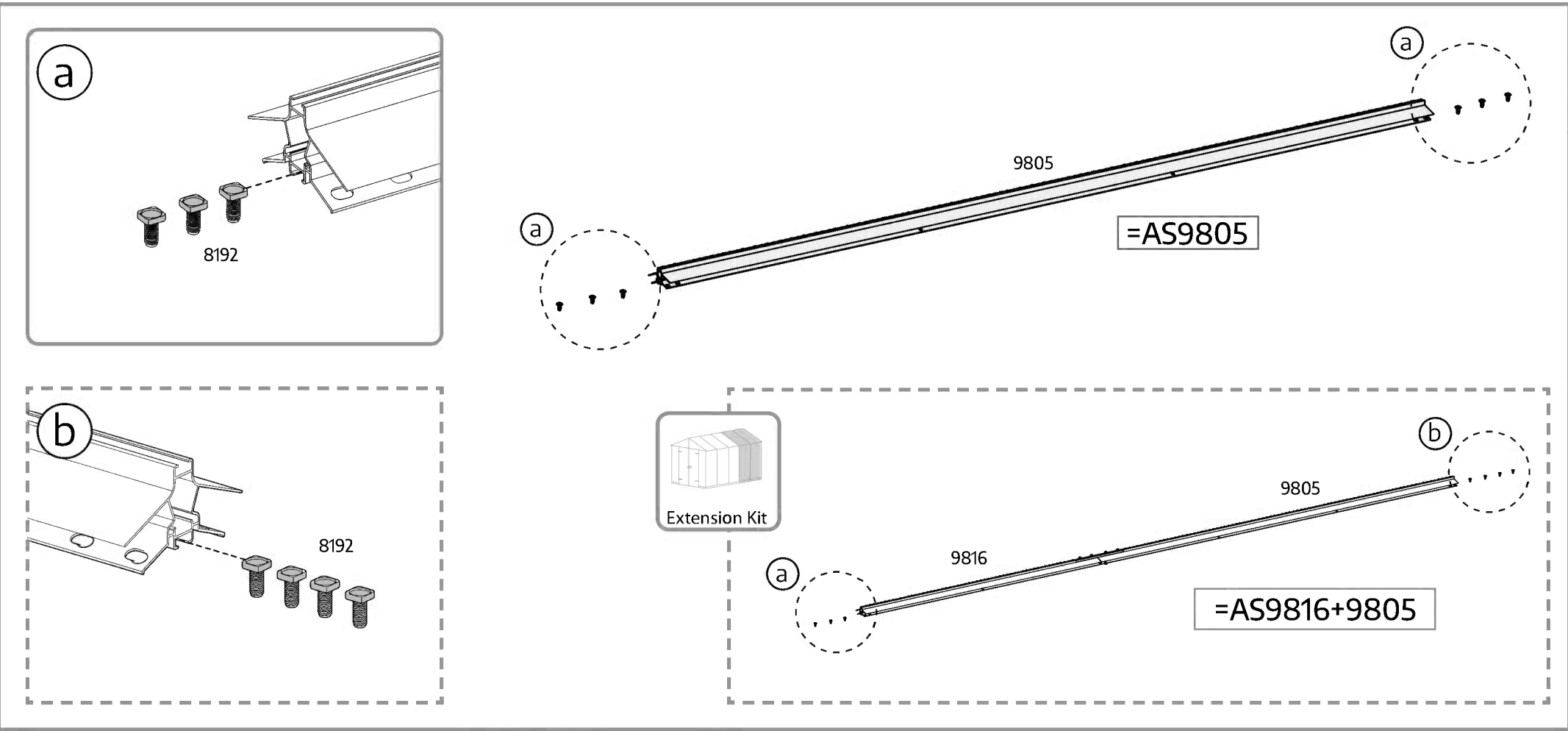
Nut #8050 should be positioned according to the perforation in the profile, as shown in the marked round figure!



9816

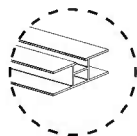
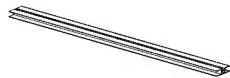


RUIBCON 8x18





9824 .....



.....2

466 .....

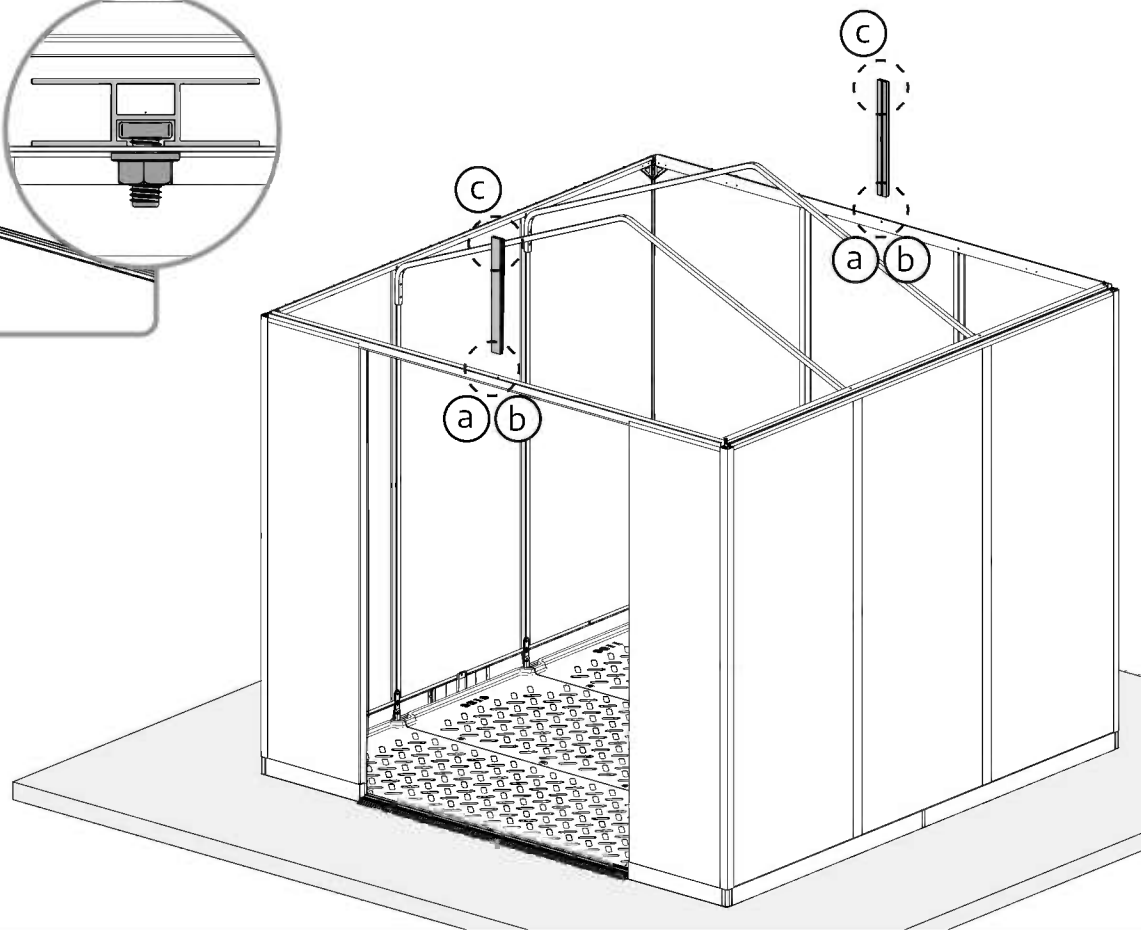
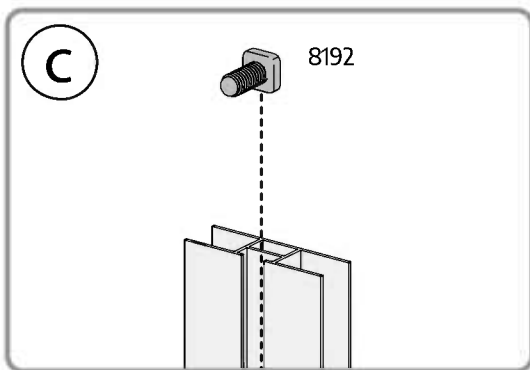
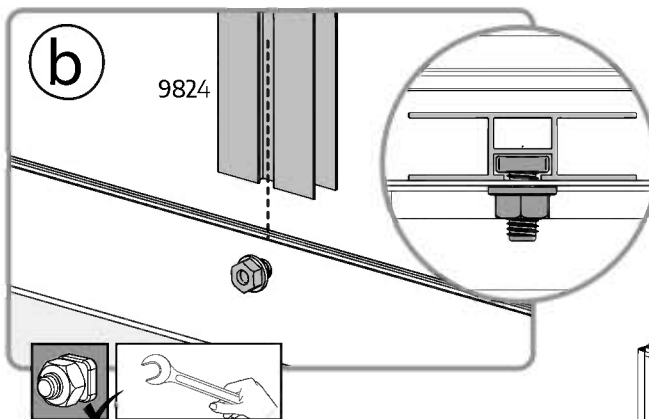
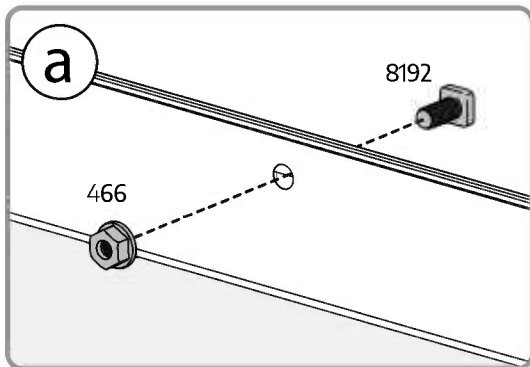


.....2

8192 .....



.....4

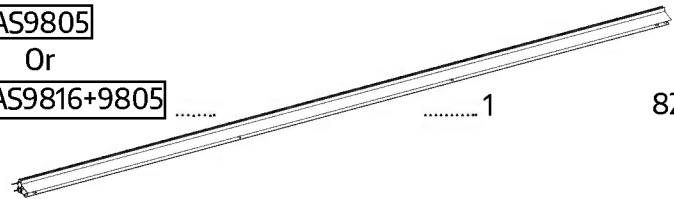




Remove plastic film from the panel **if exist!**

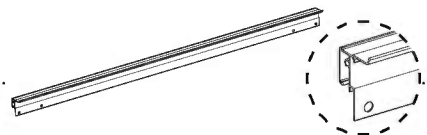


A59805  
Or  
A59816+9805



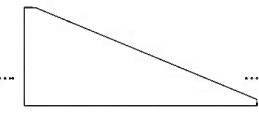
.....1

8259



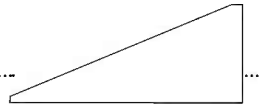
.....4

9828



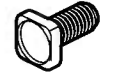
.....2

9829



.....2

8192

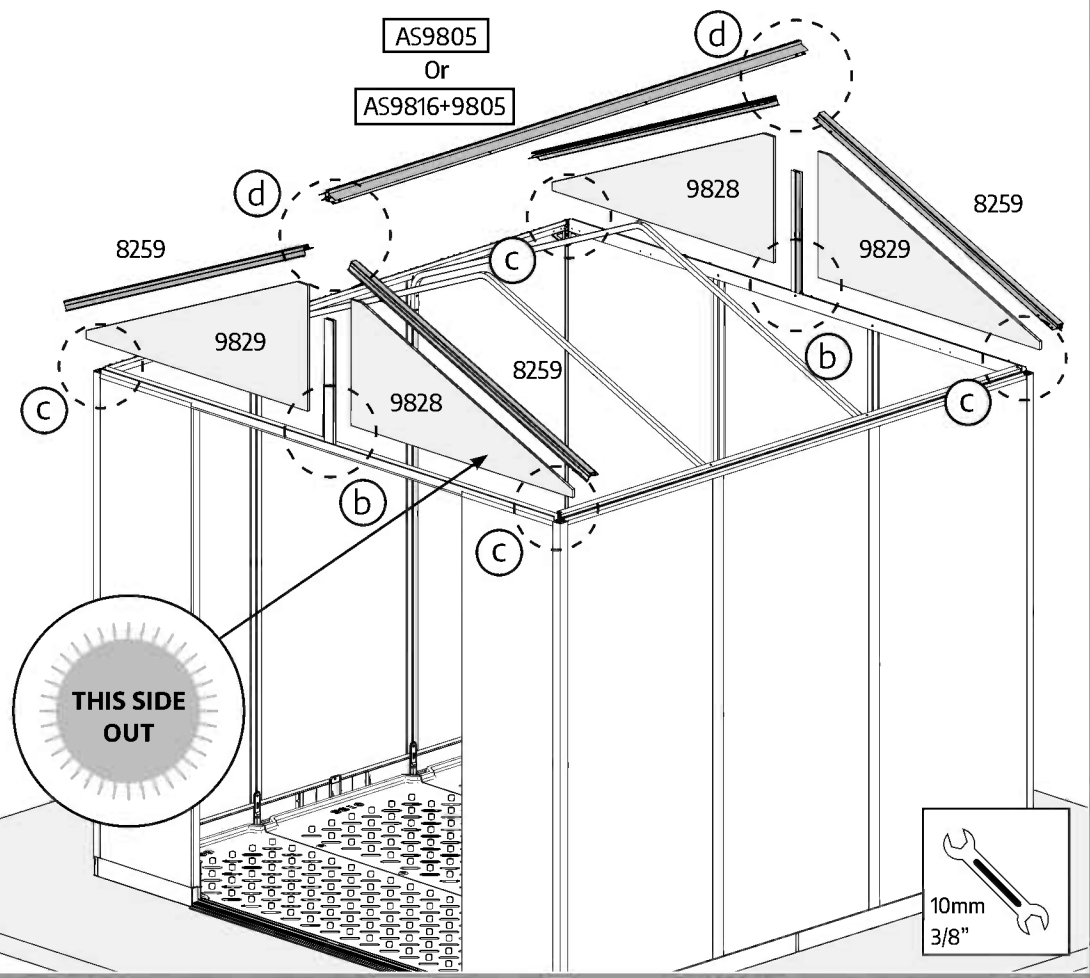
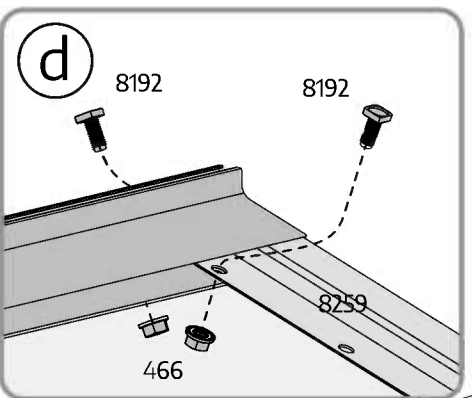
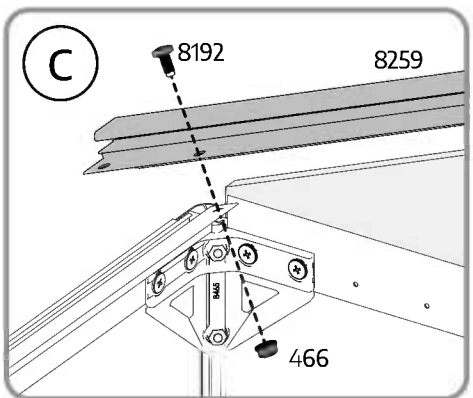
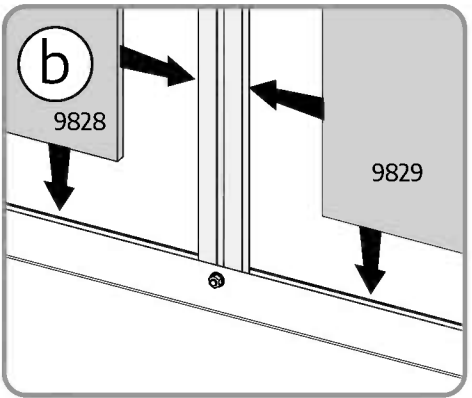
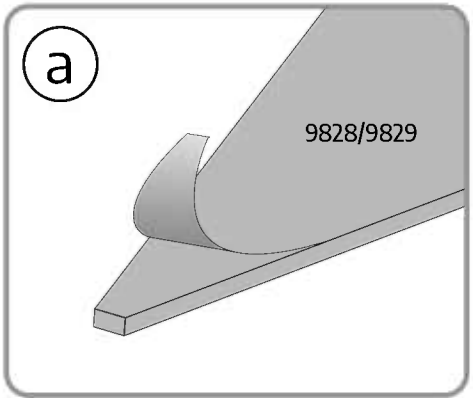


.....8

466

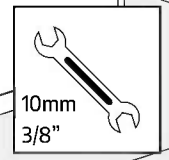


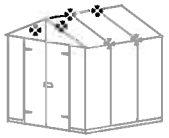
.....8



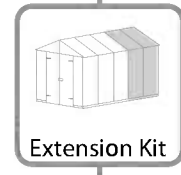
A59805  
Or  
A59816+9805

THIS SIDE OUT

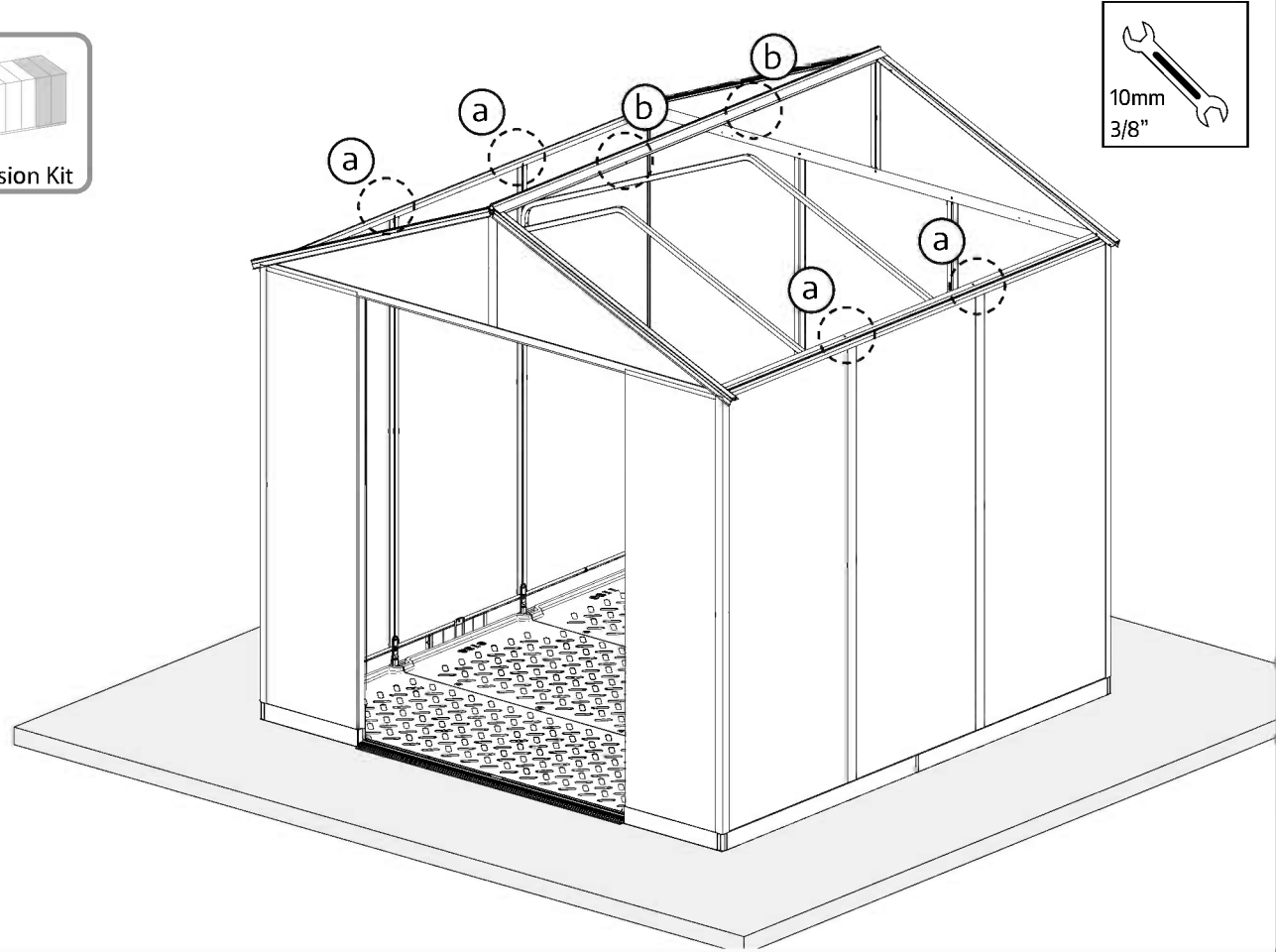
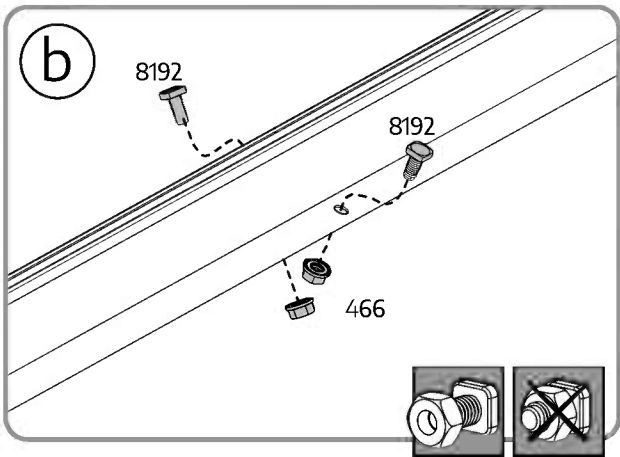
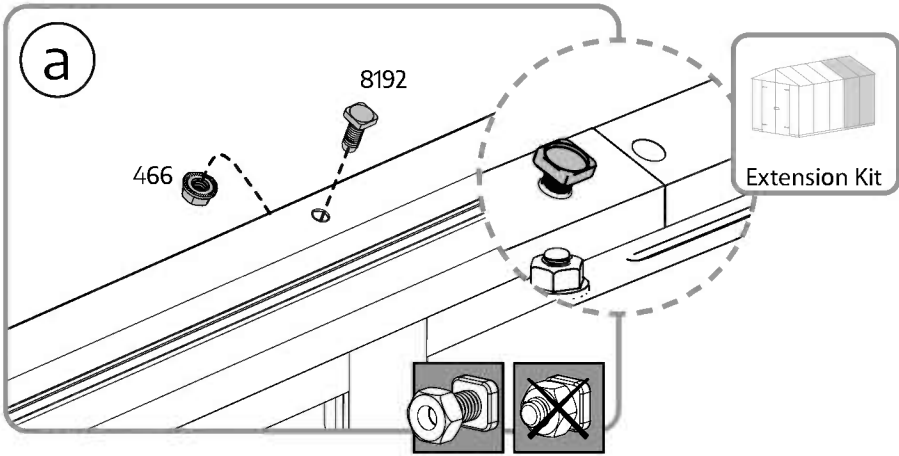




8192.....  .....8      466.....  .....8



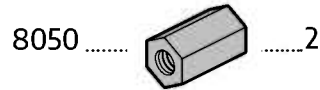
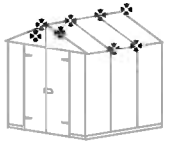
8192 ..... 6  
466 ..... 6



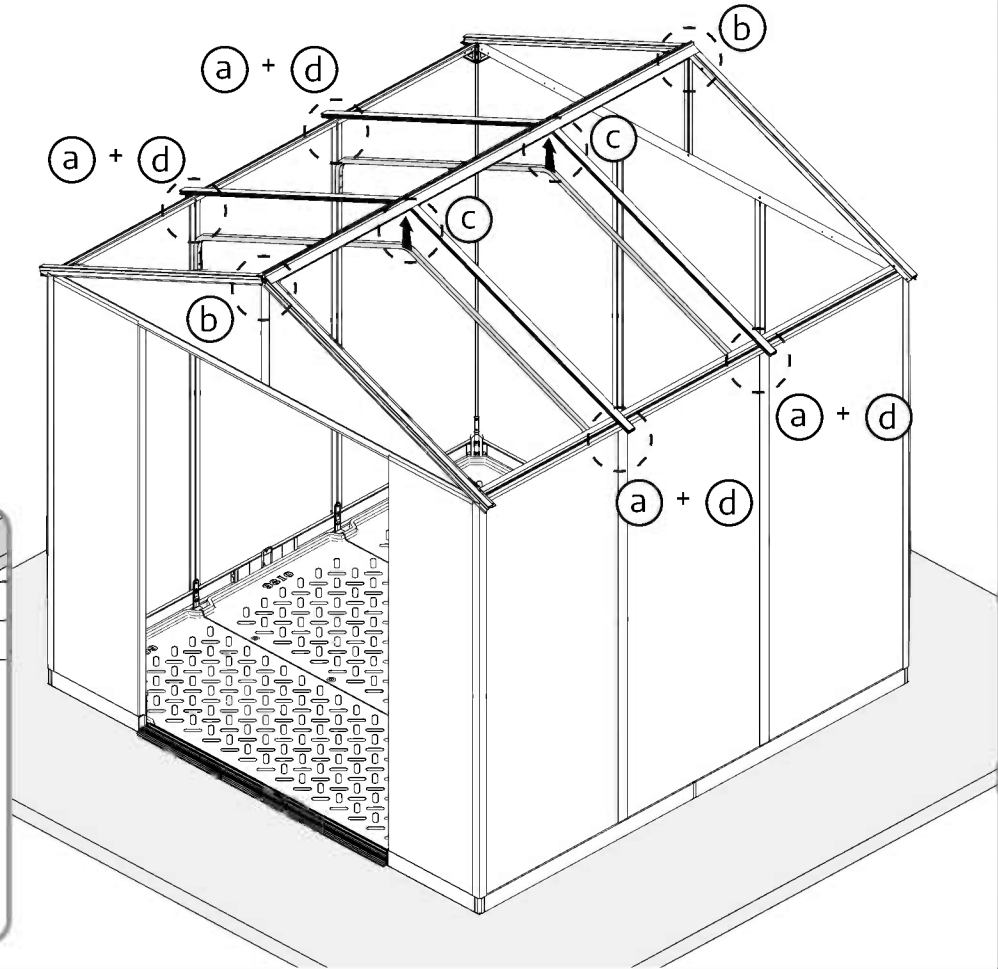
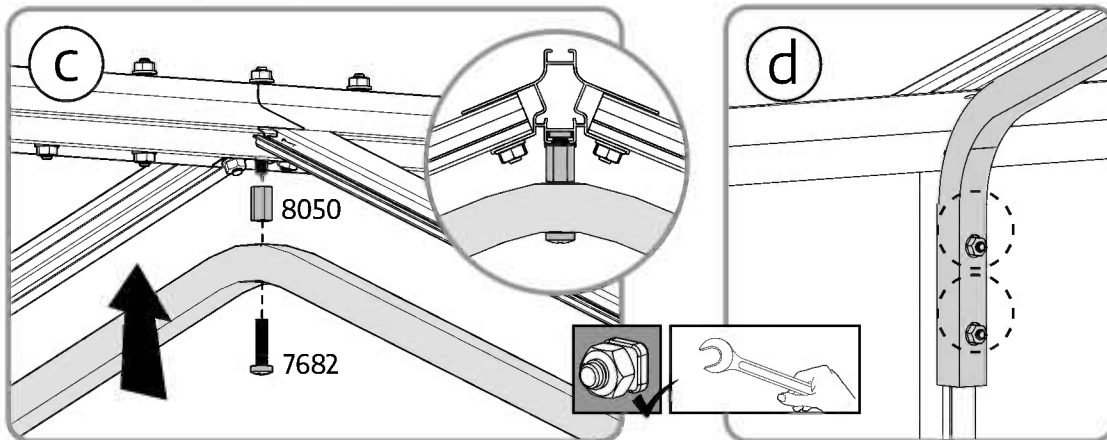
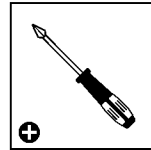
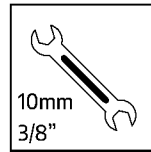
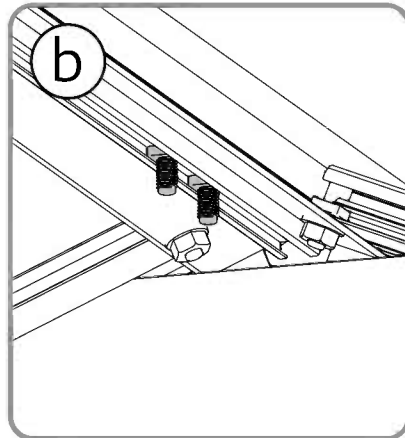
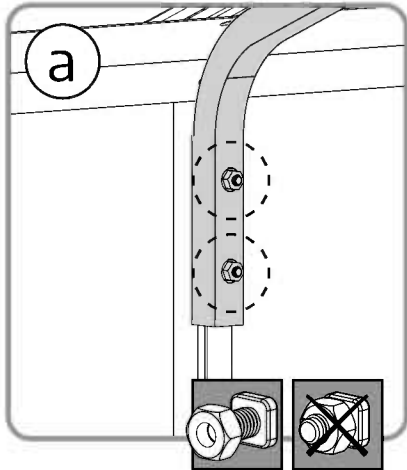




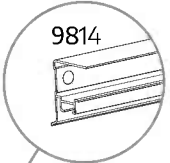
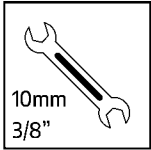
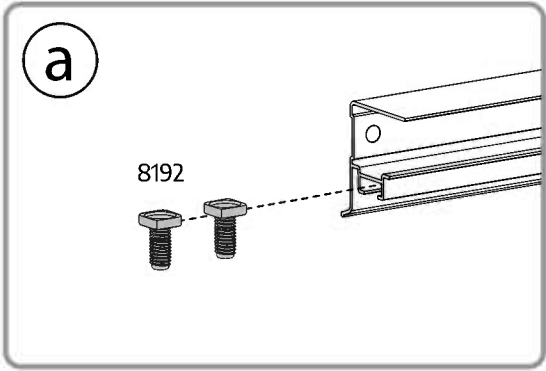
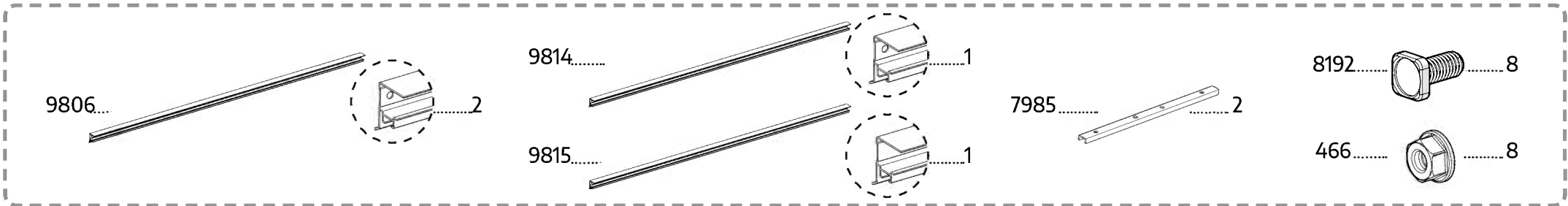
Leave two screw (8192) at each end of the central profile for use in **step 48** (see Figure a)



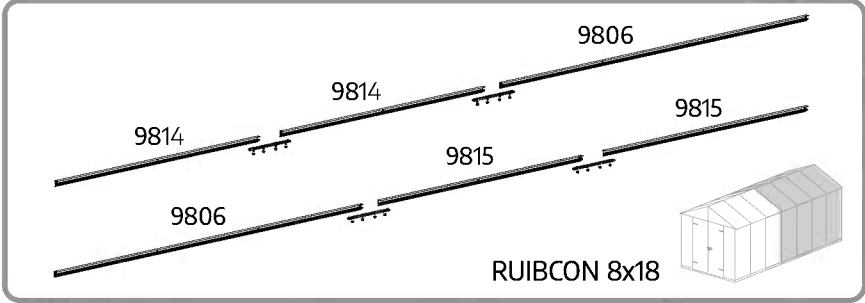
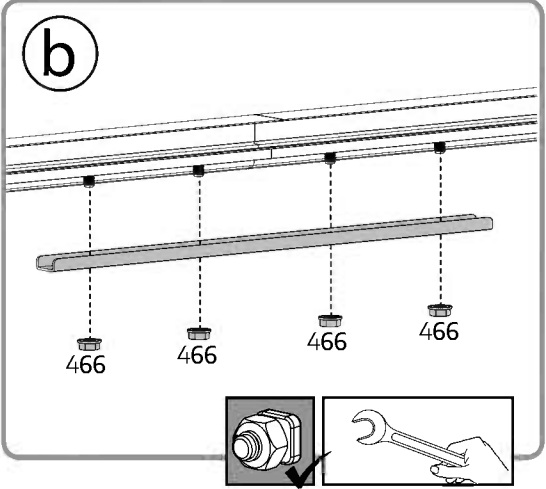
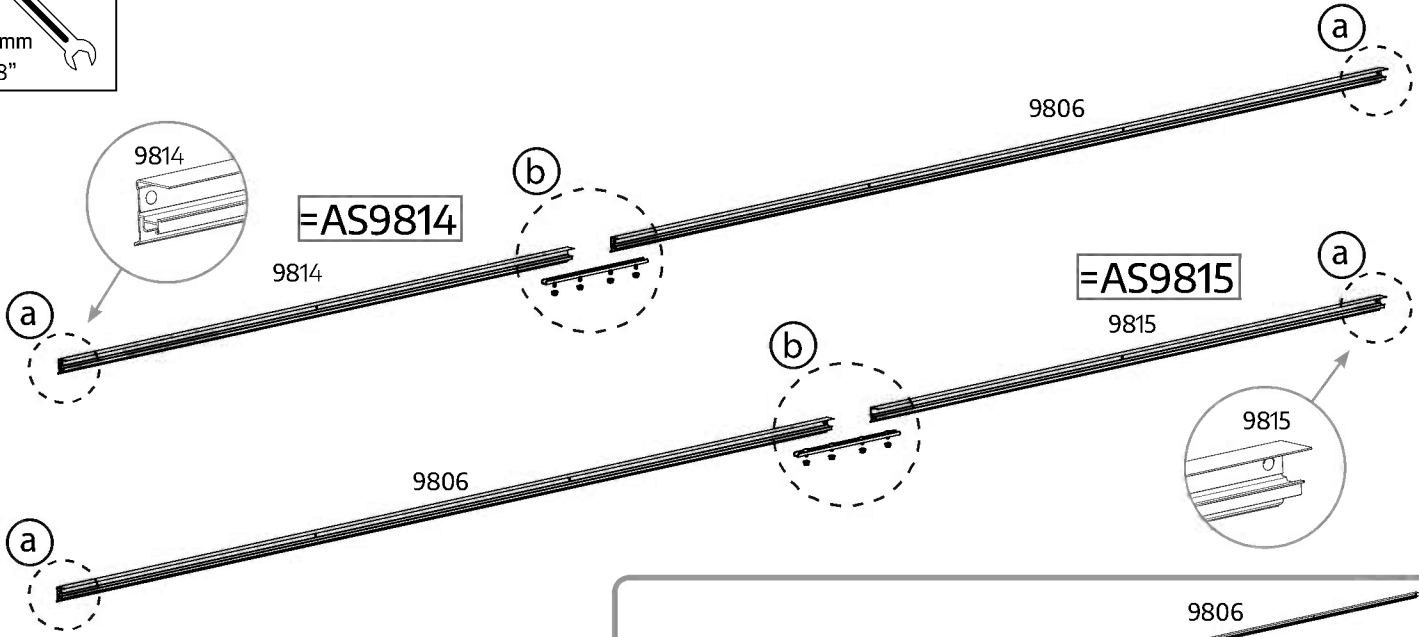
- |            |   |
|------------|---|
| 7682 ..... | 2 |
| 8050 ..... | 1 |



# 35 Extension Kit only



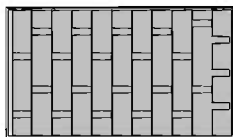
=AS9814



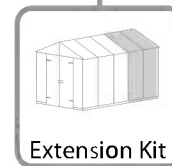




1299 / 8278 .....

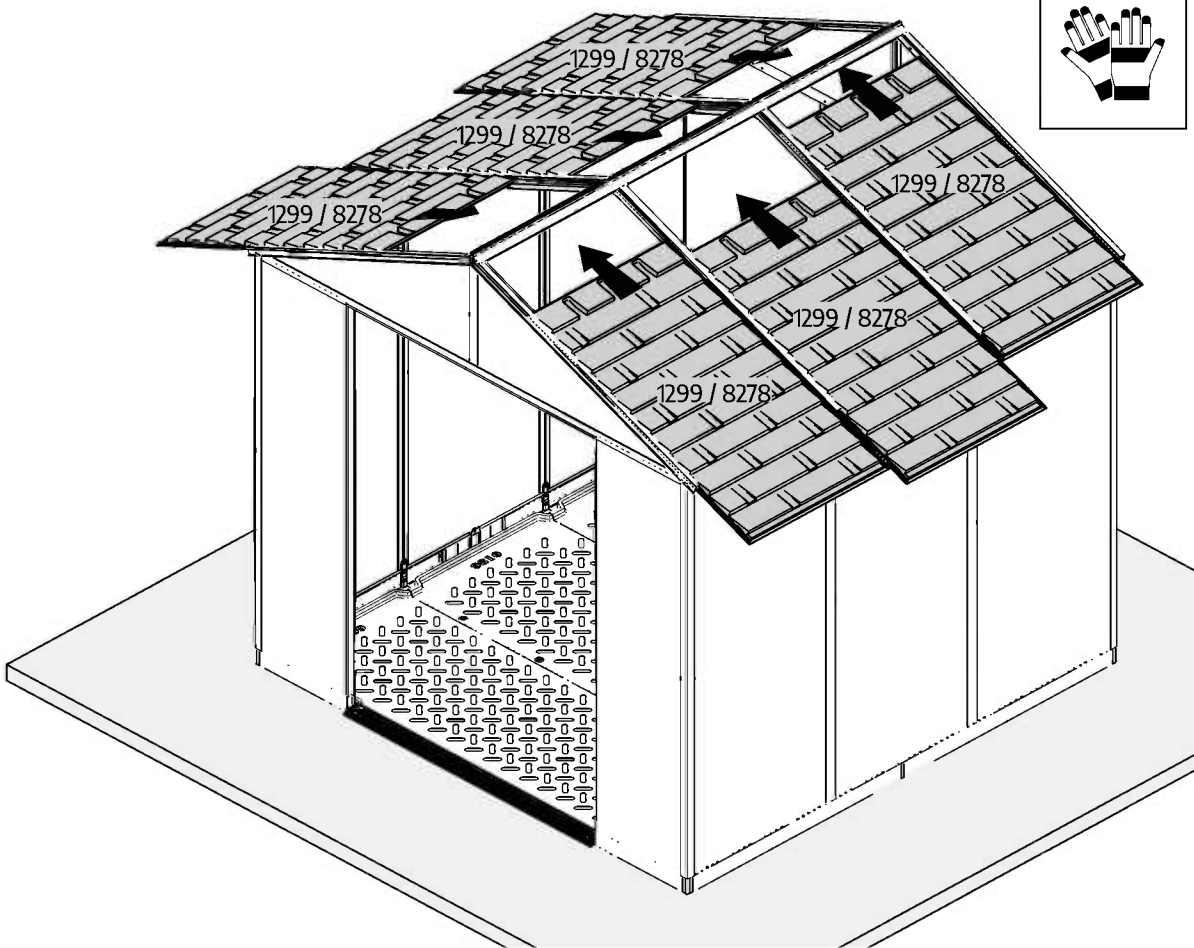
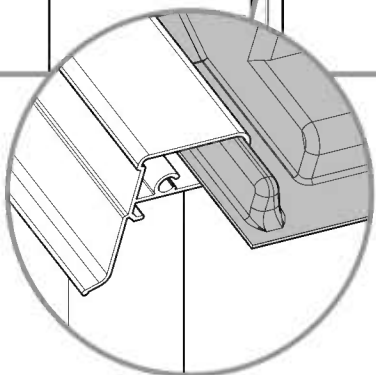
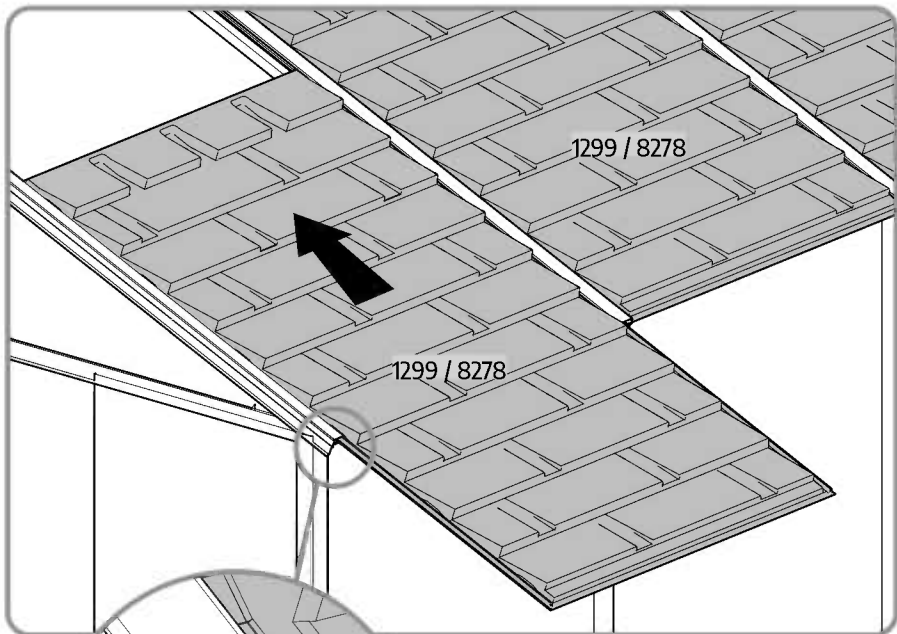


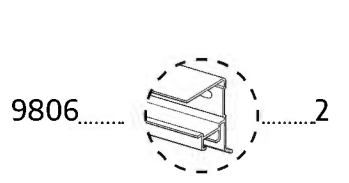
..... 6



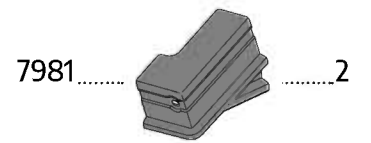
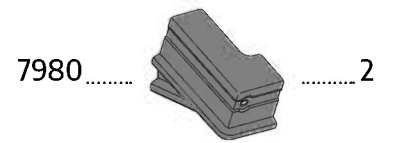
Extension Kit


1299 ..... 4





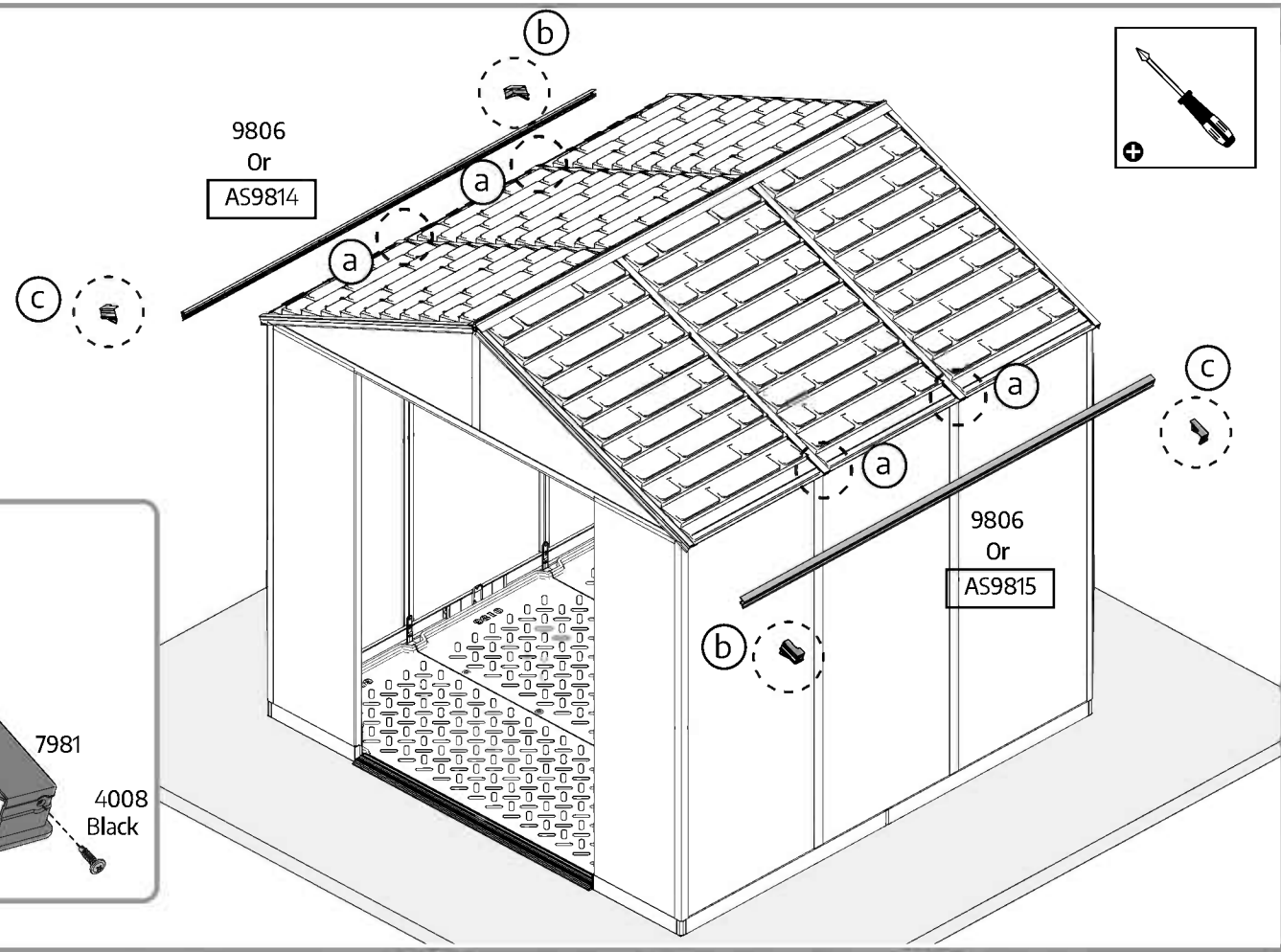
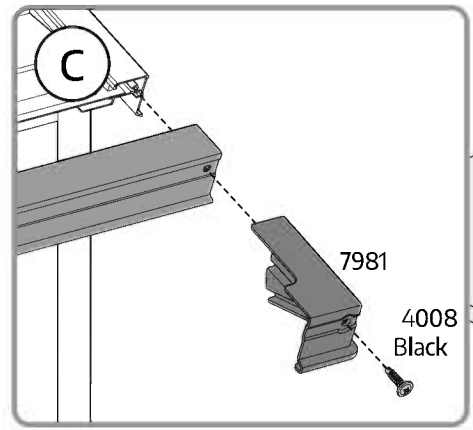
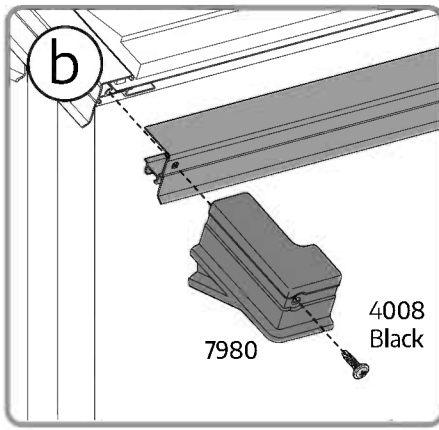
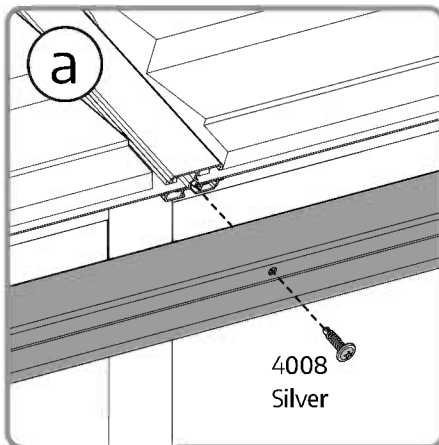
- 4008 Black ..... 4
- 4008 Silver ..... 4

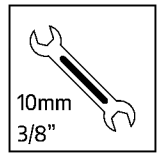
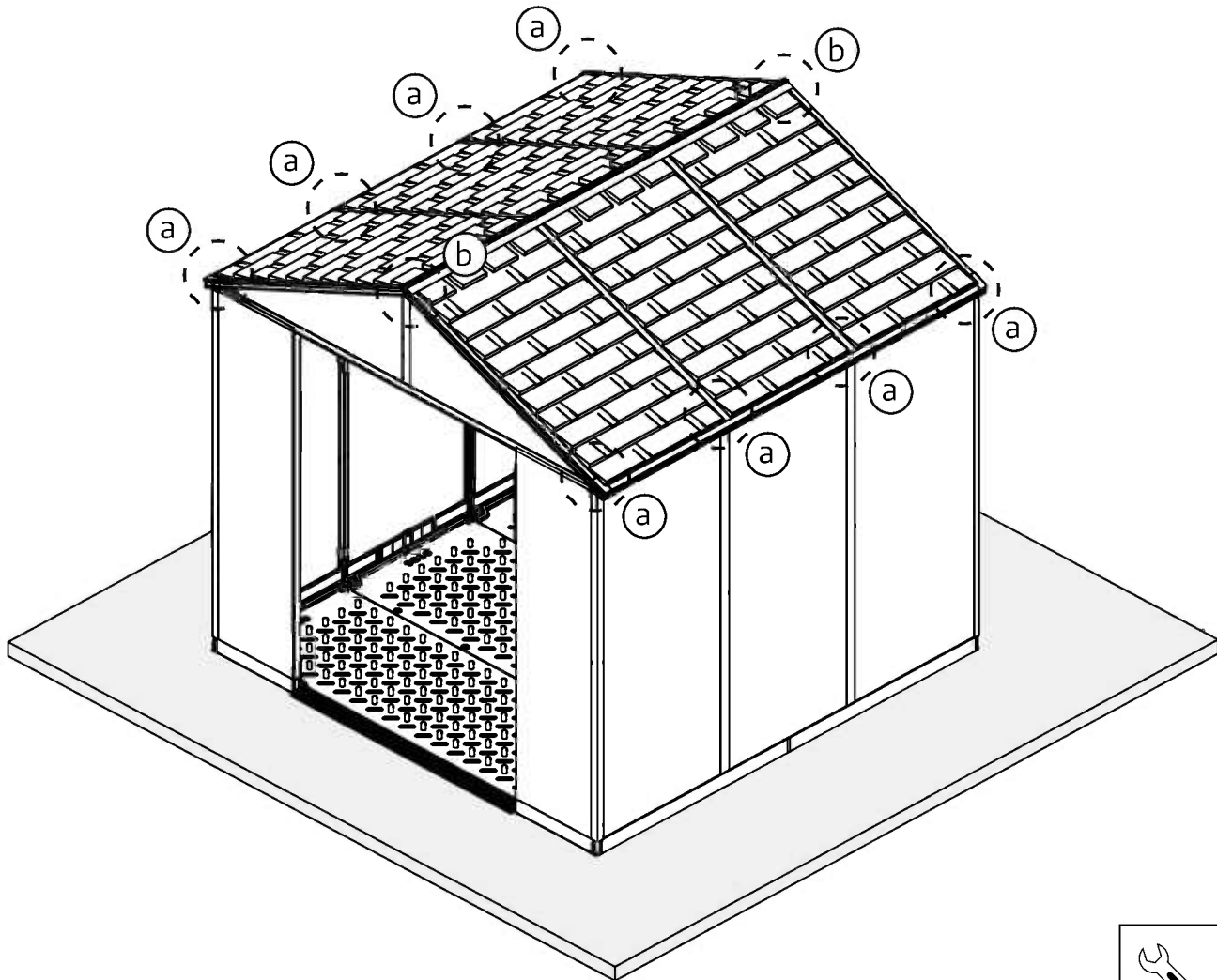
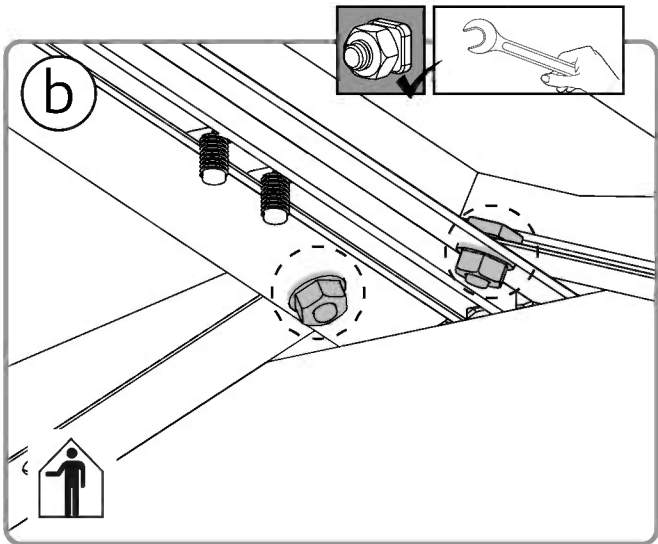
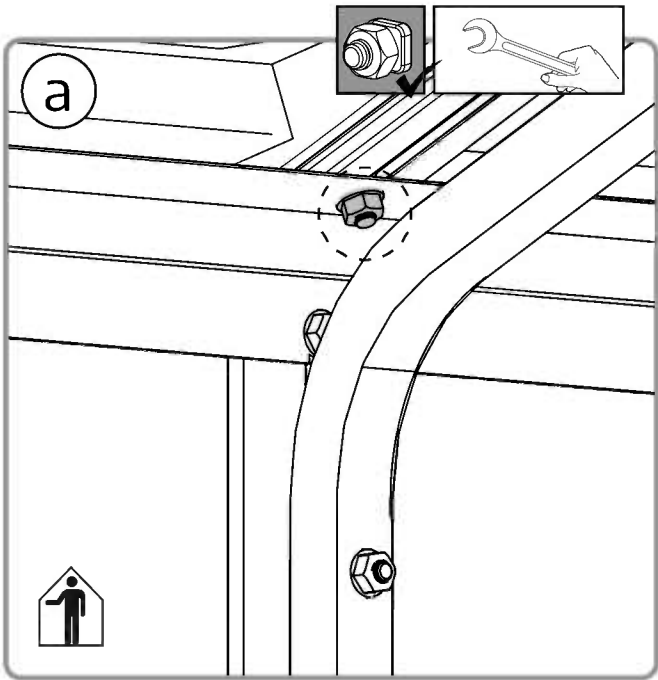


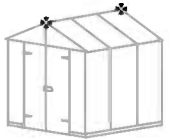


Extension Kit

- AS9814..... 2
- AS9815..... 2
- 4008 silver..... 4



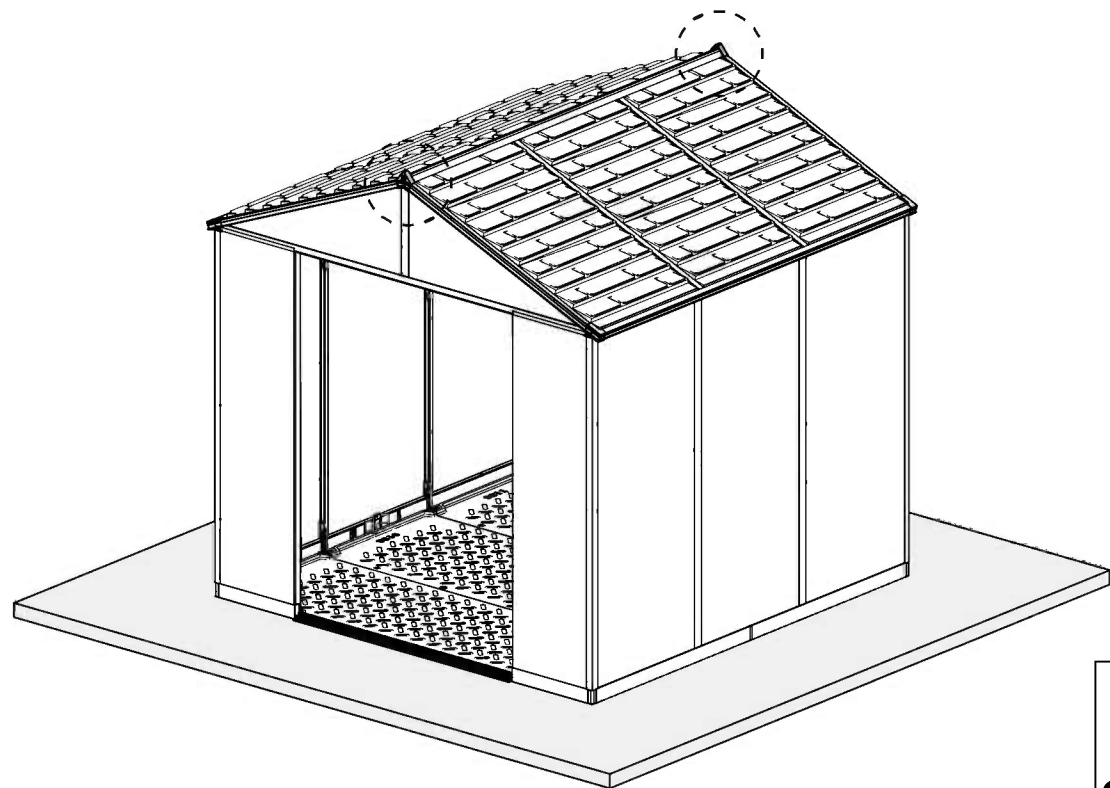
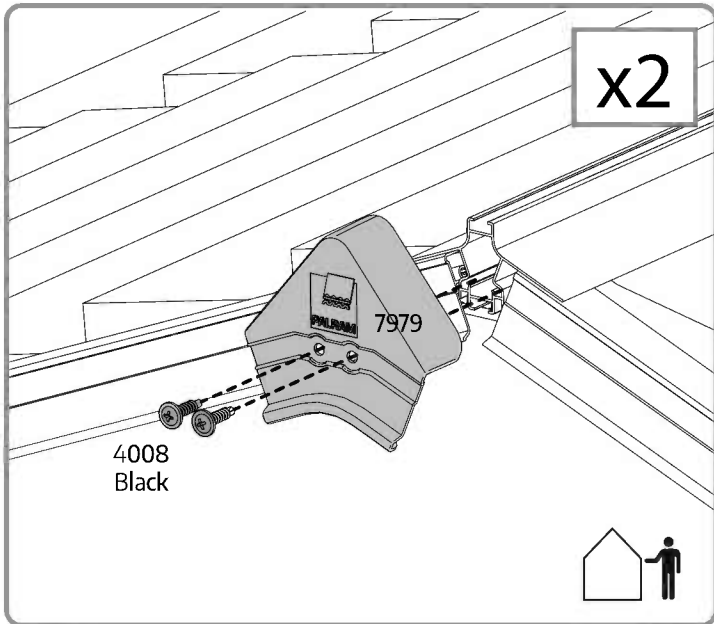




4008 ..... 4  
Black

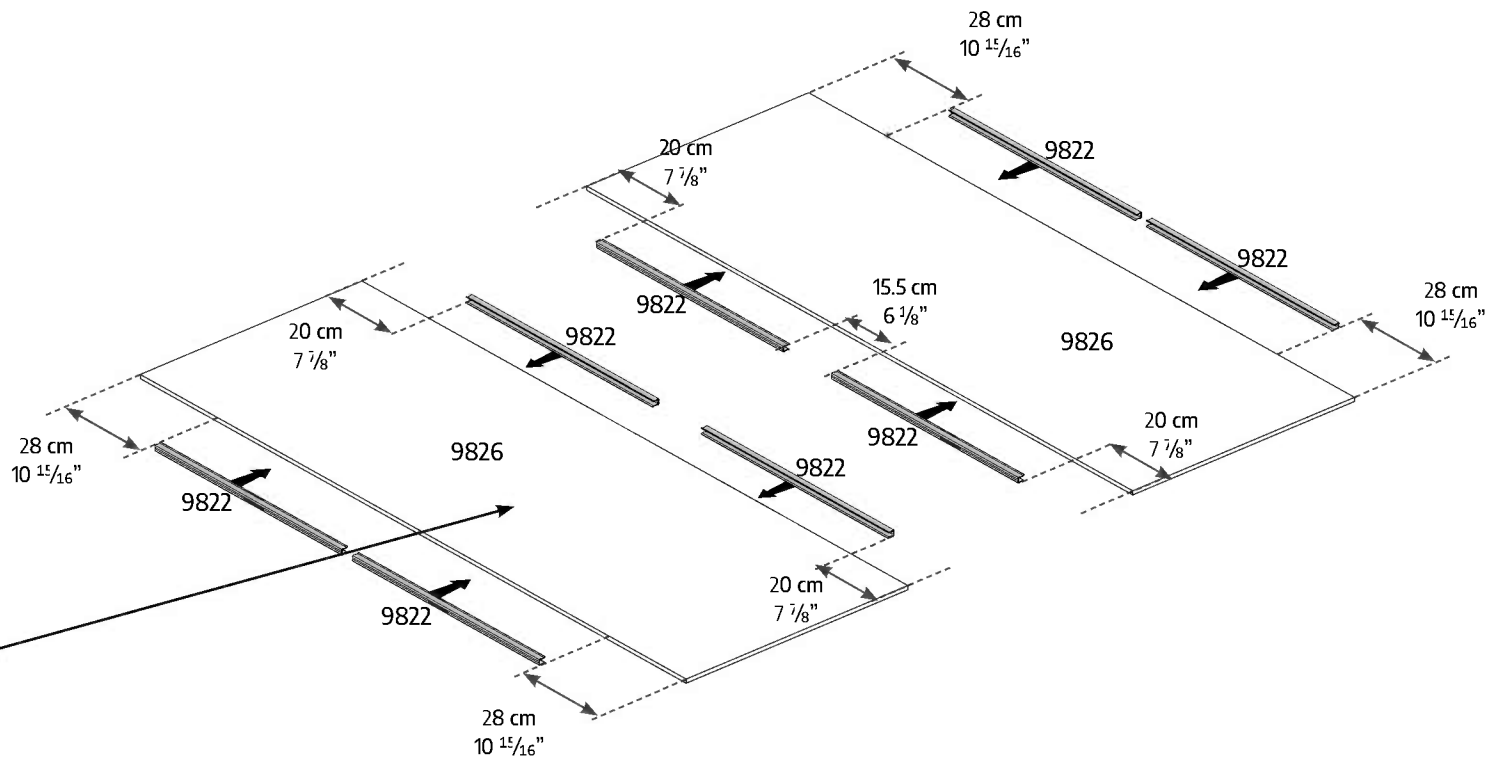
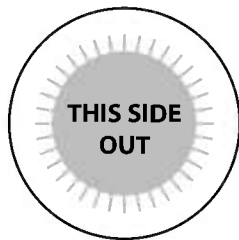
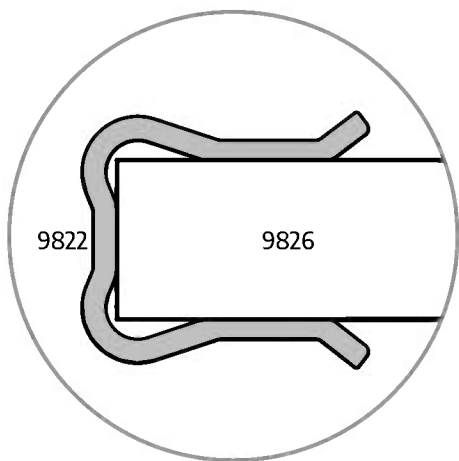
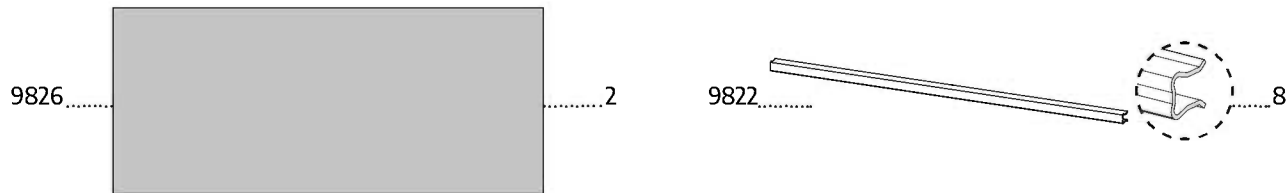


7979 ..... 2

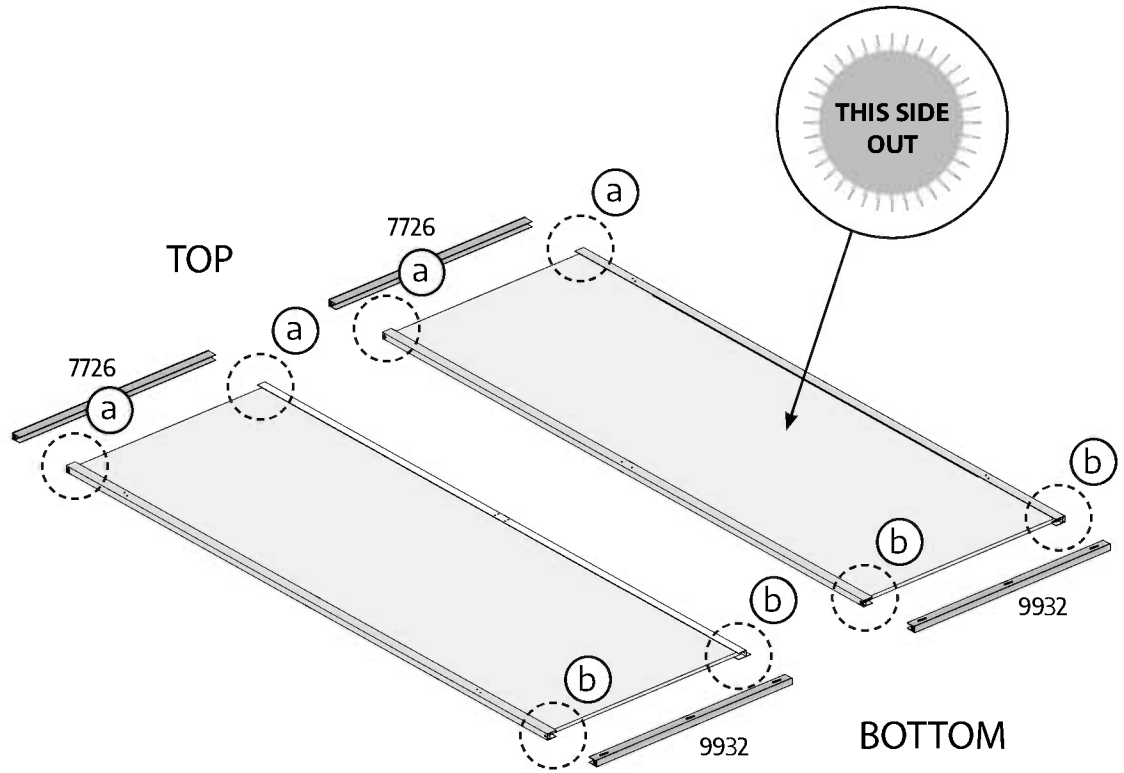
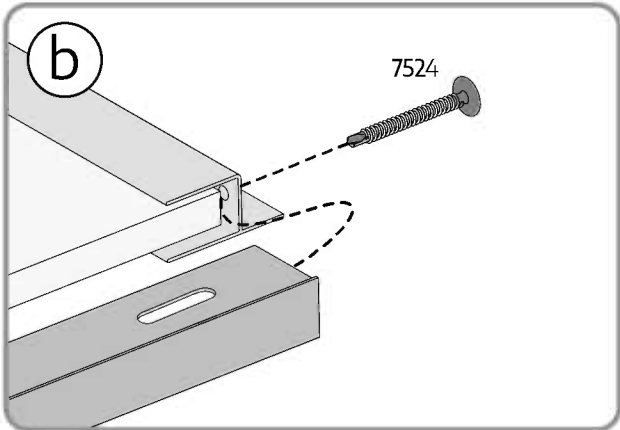
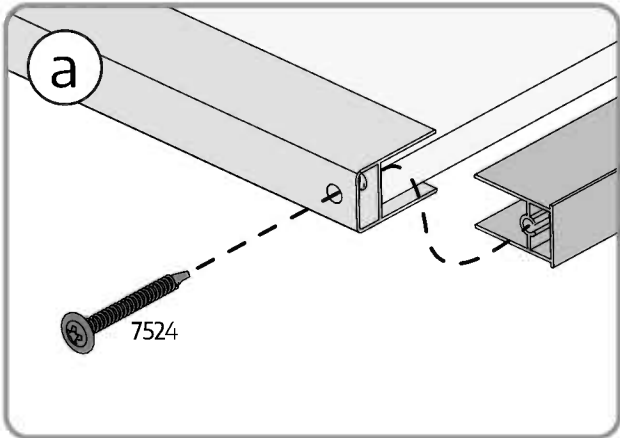
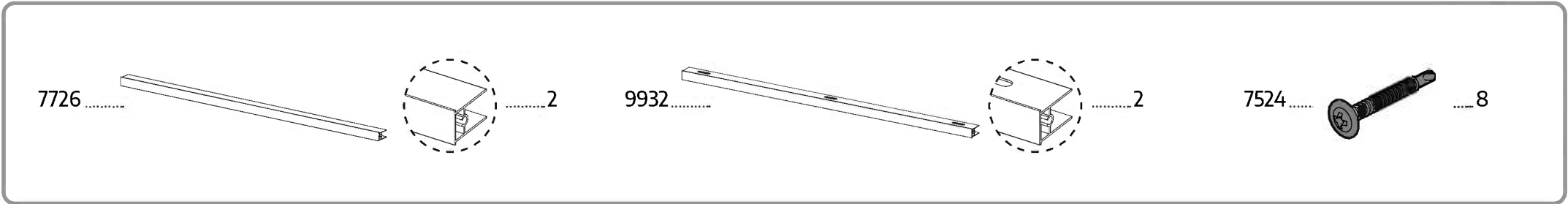
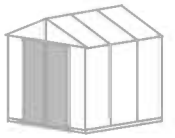


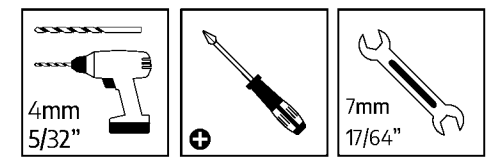
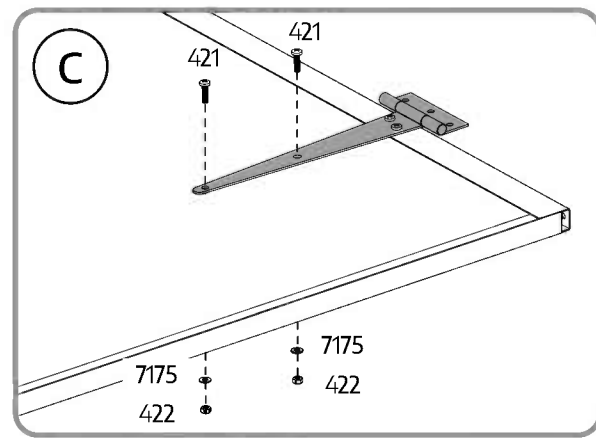
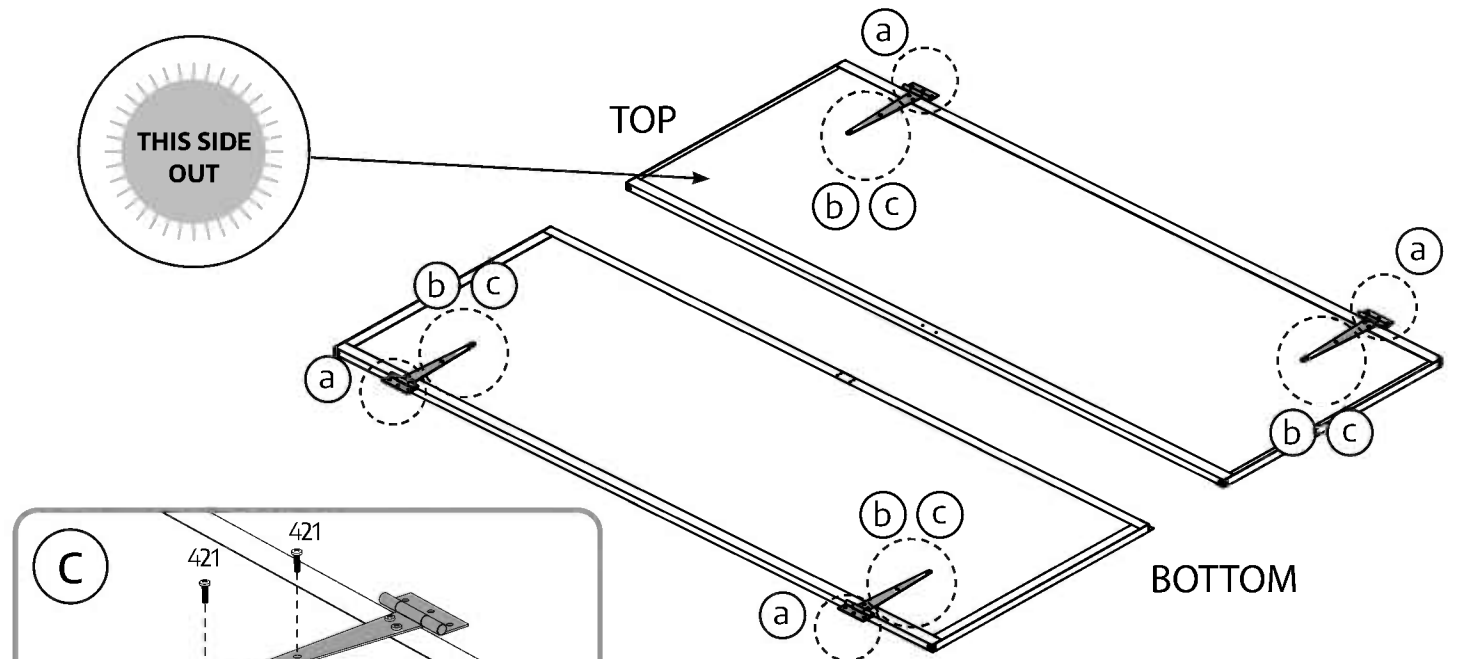
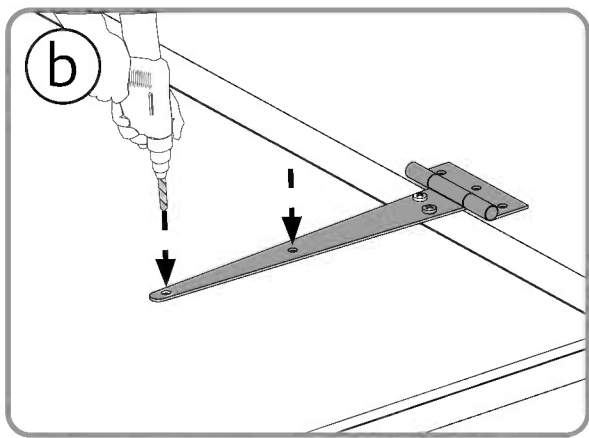
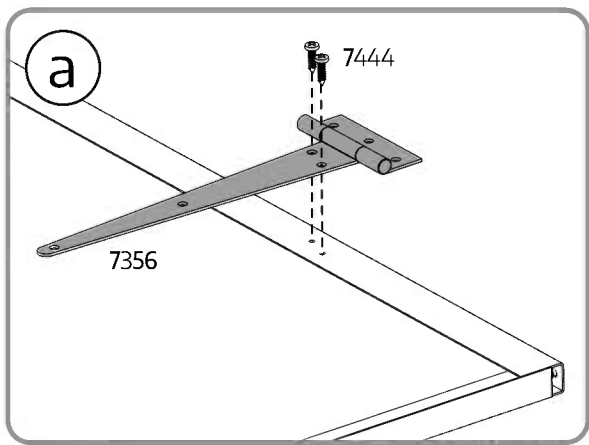
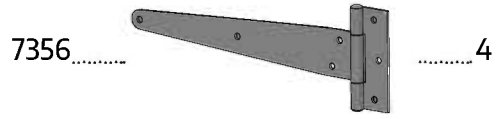


When assembling the doors, pay attention to the direction of the panels, profiles and holes.

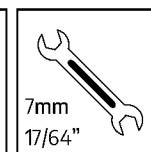
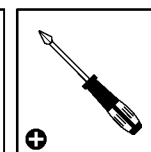
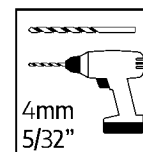
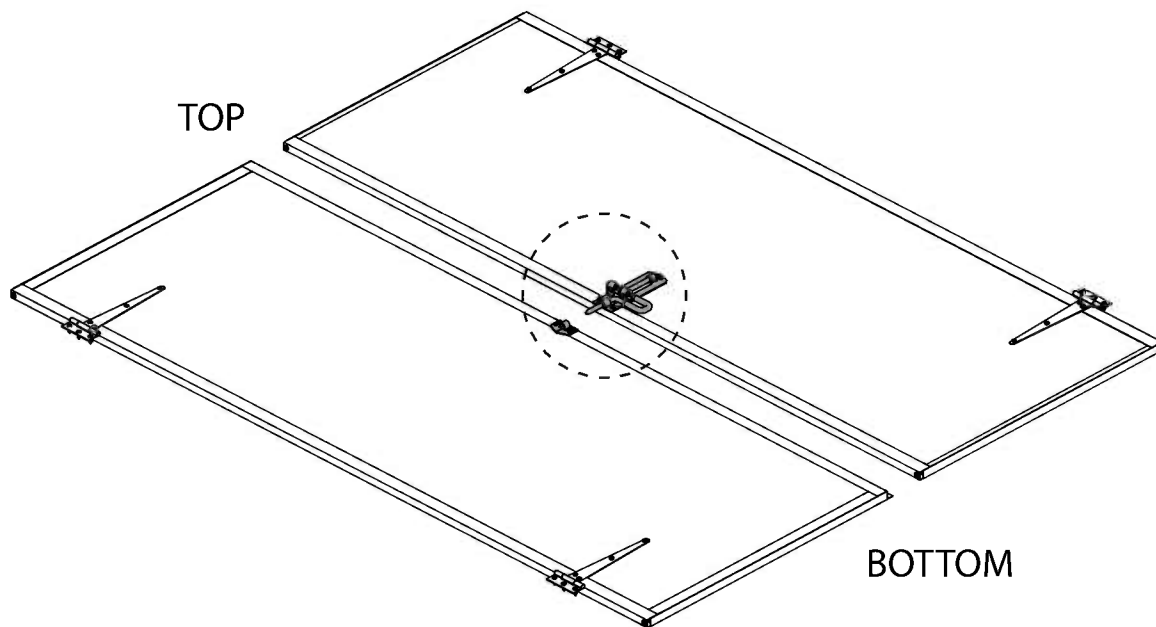
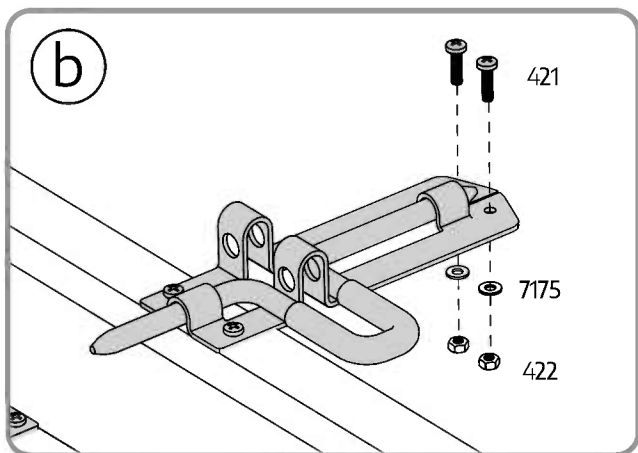
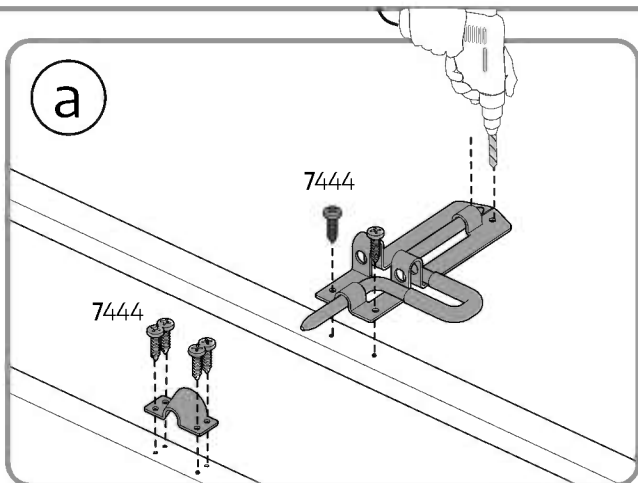
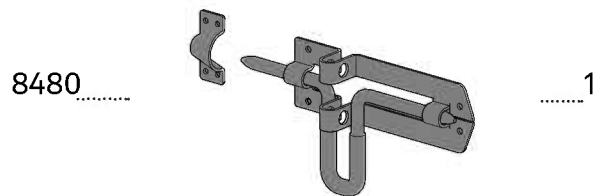






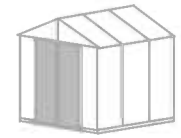




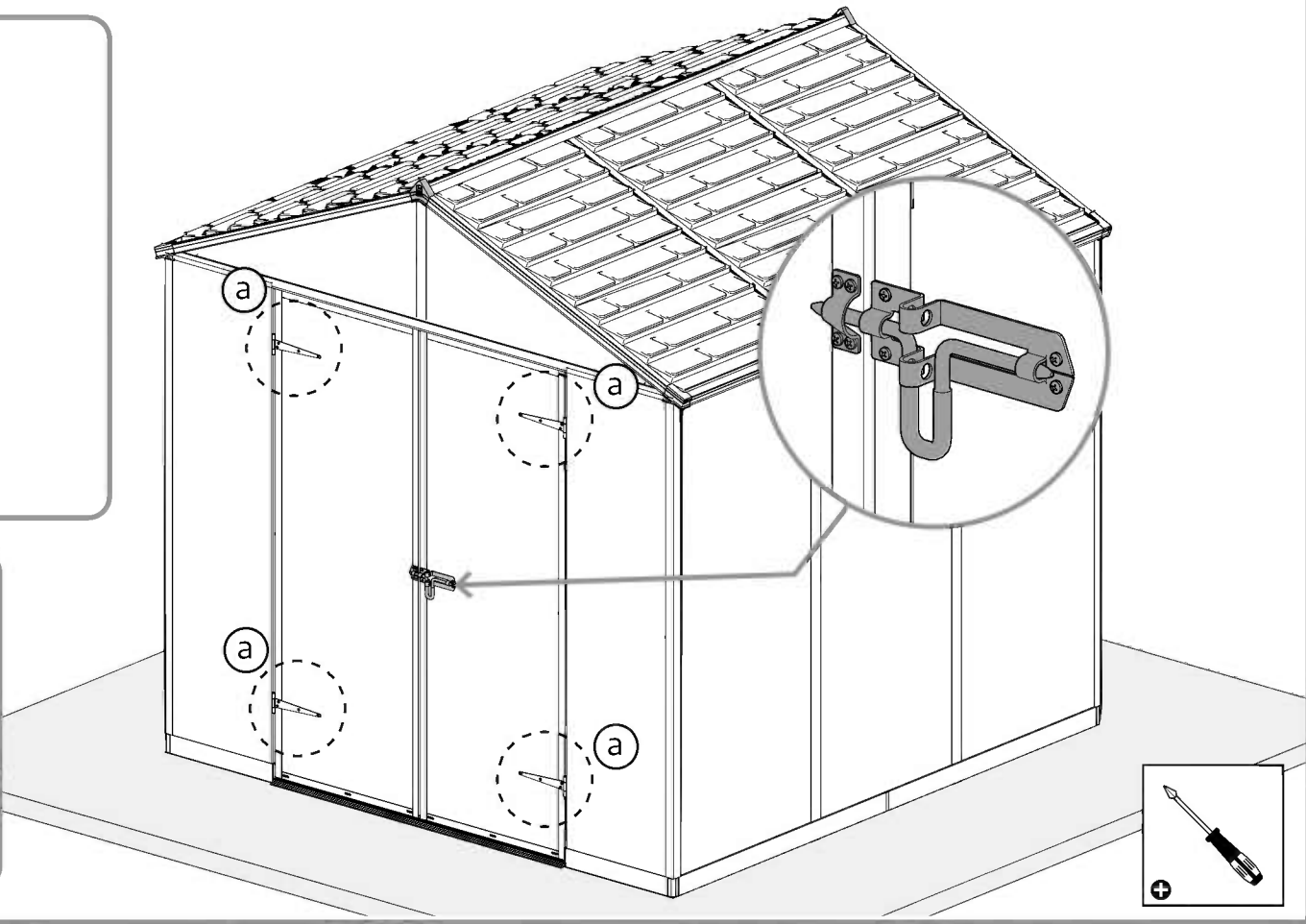
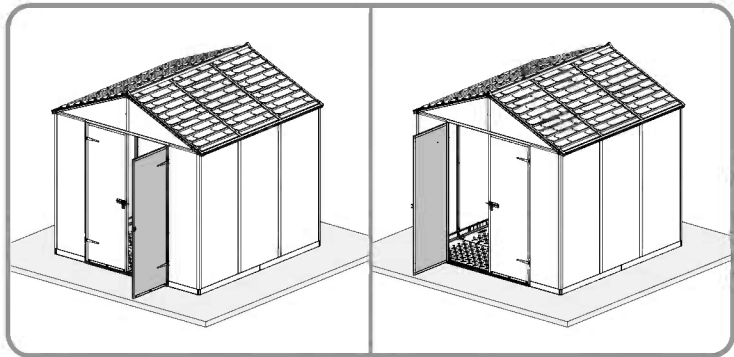
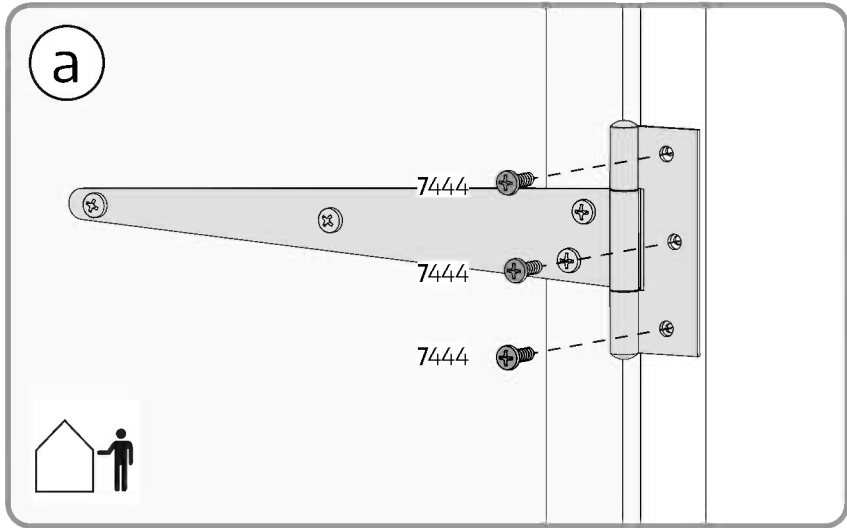




The door can be installed either as a left or right hand door. These instructions show a right hand door assembly.



7444.....  .....12

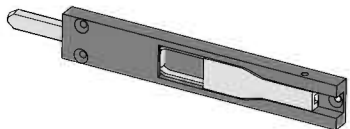




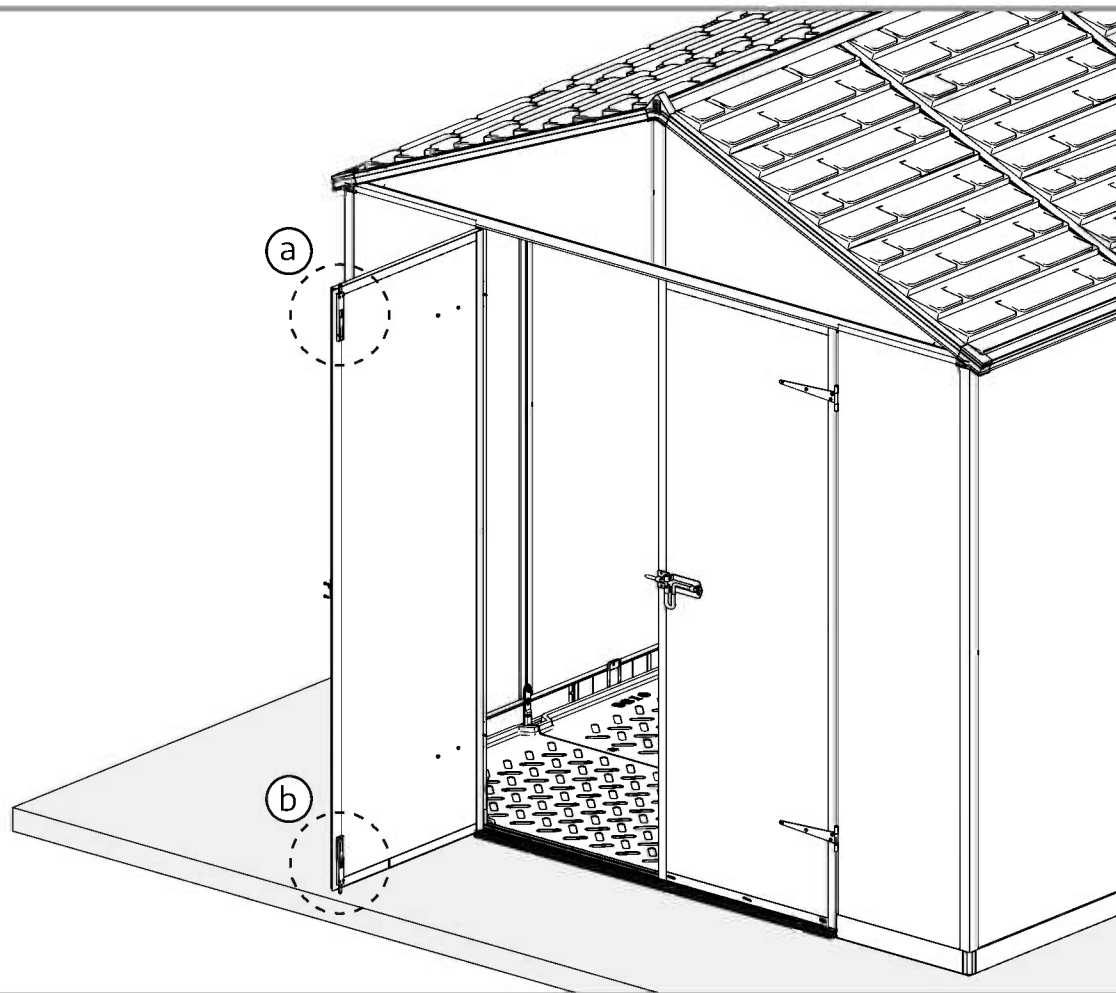
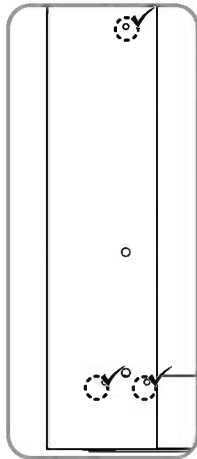
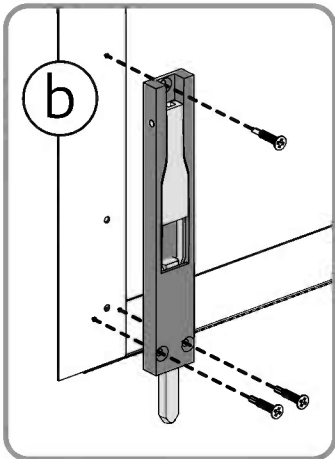
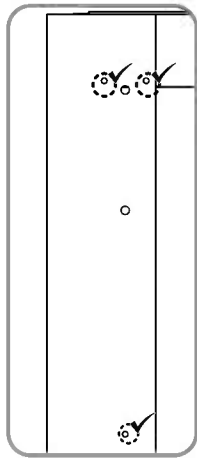
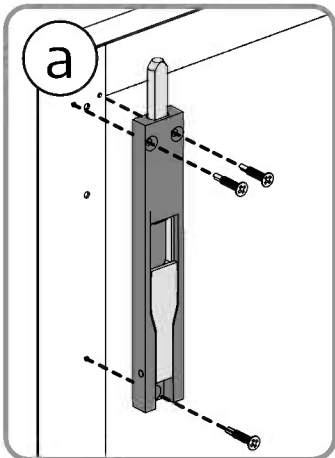
Use the marked holes.

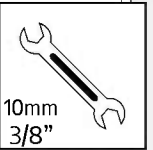
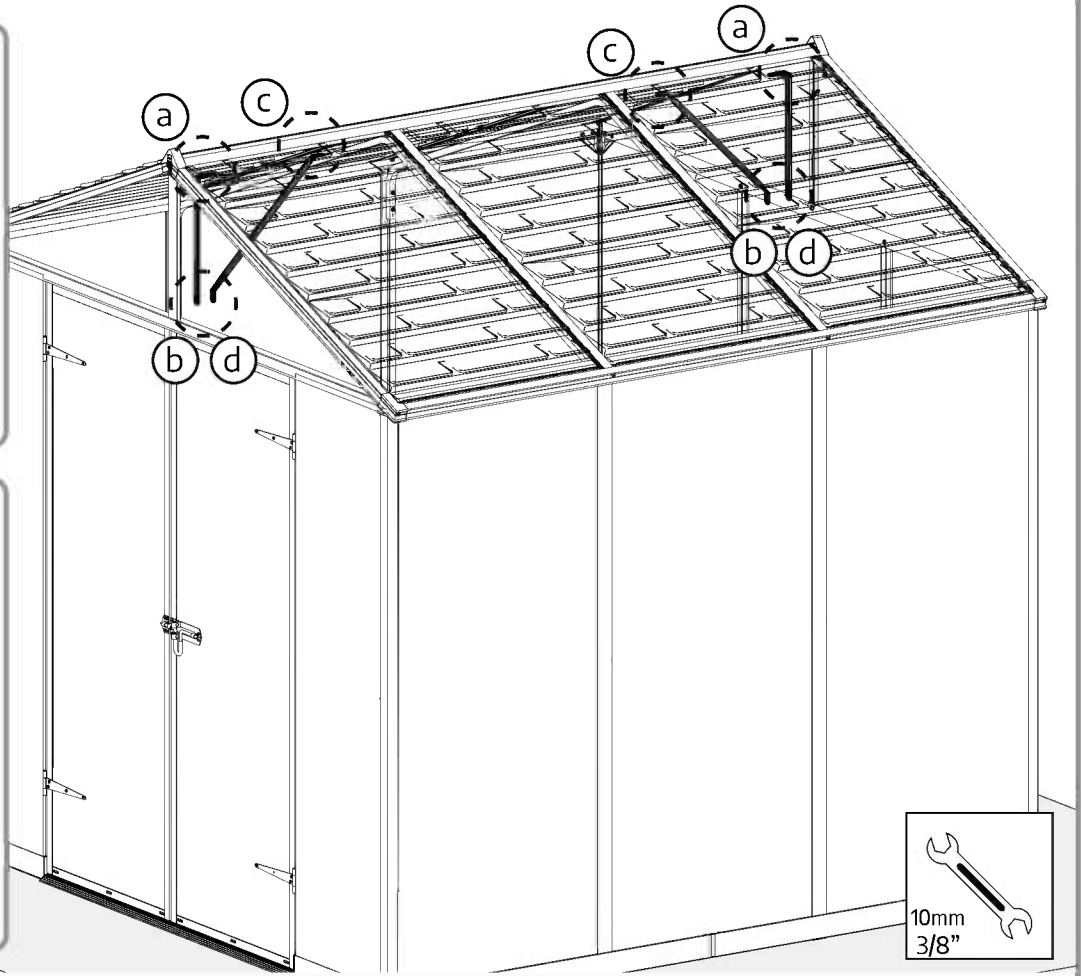
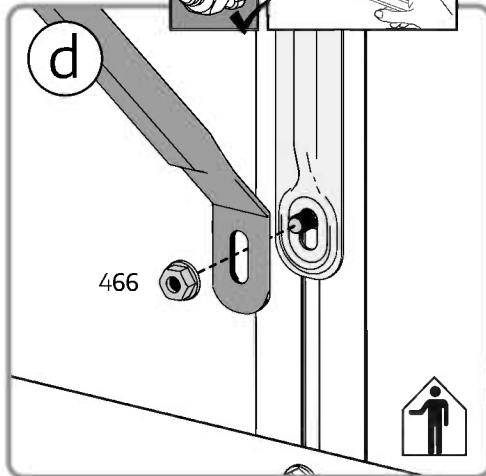
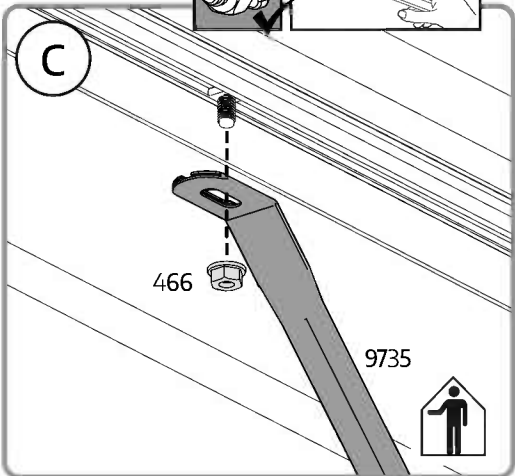
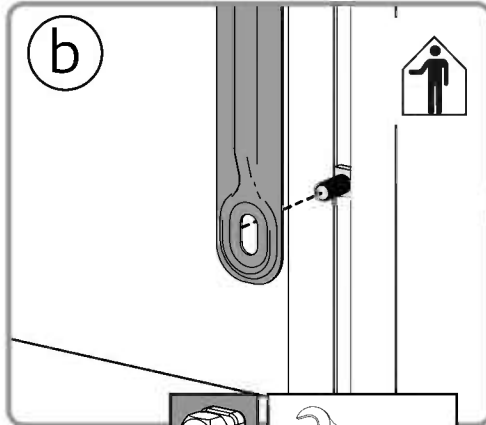
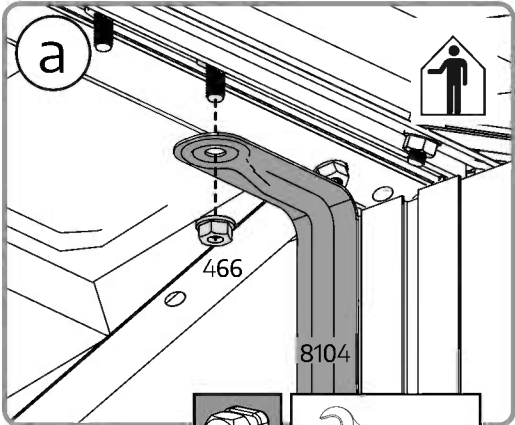
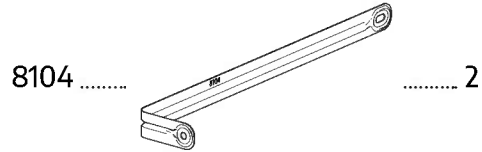
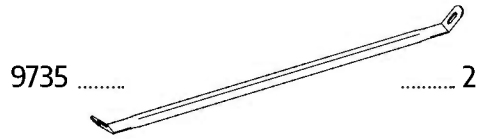
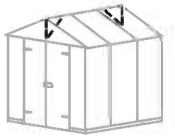


9707 ..... 2



9708 ..... 6



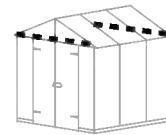


10mm  
3/8"

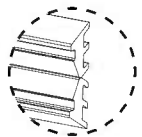
48



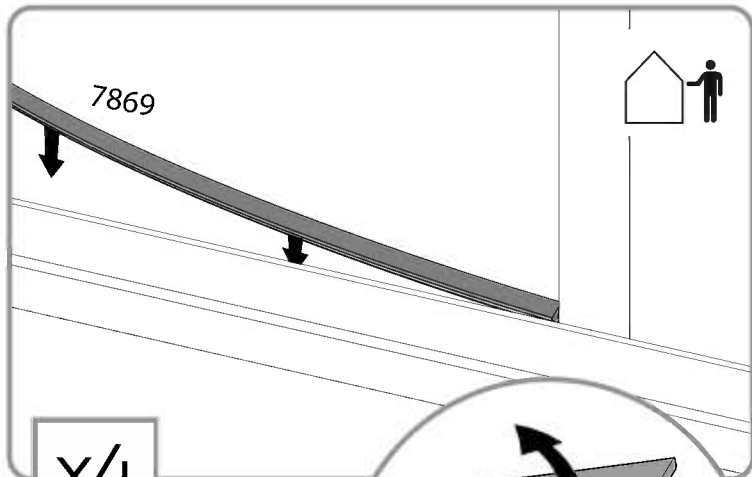
Install the sealing strip on the outer side as shown in the diagram.  
Use mild soap for easier assembly, cut sealing leftovers.



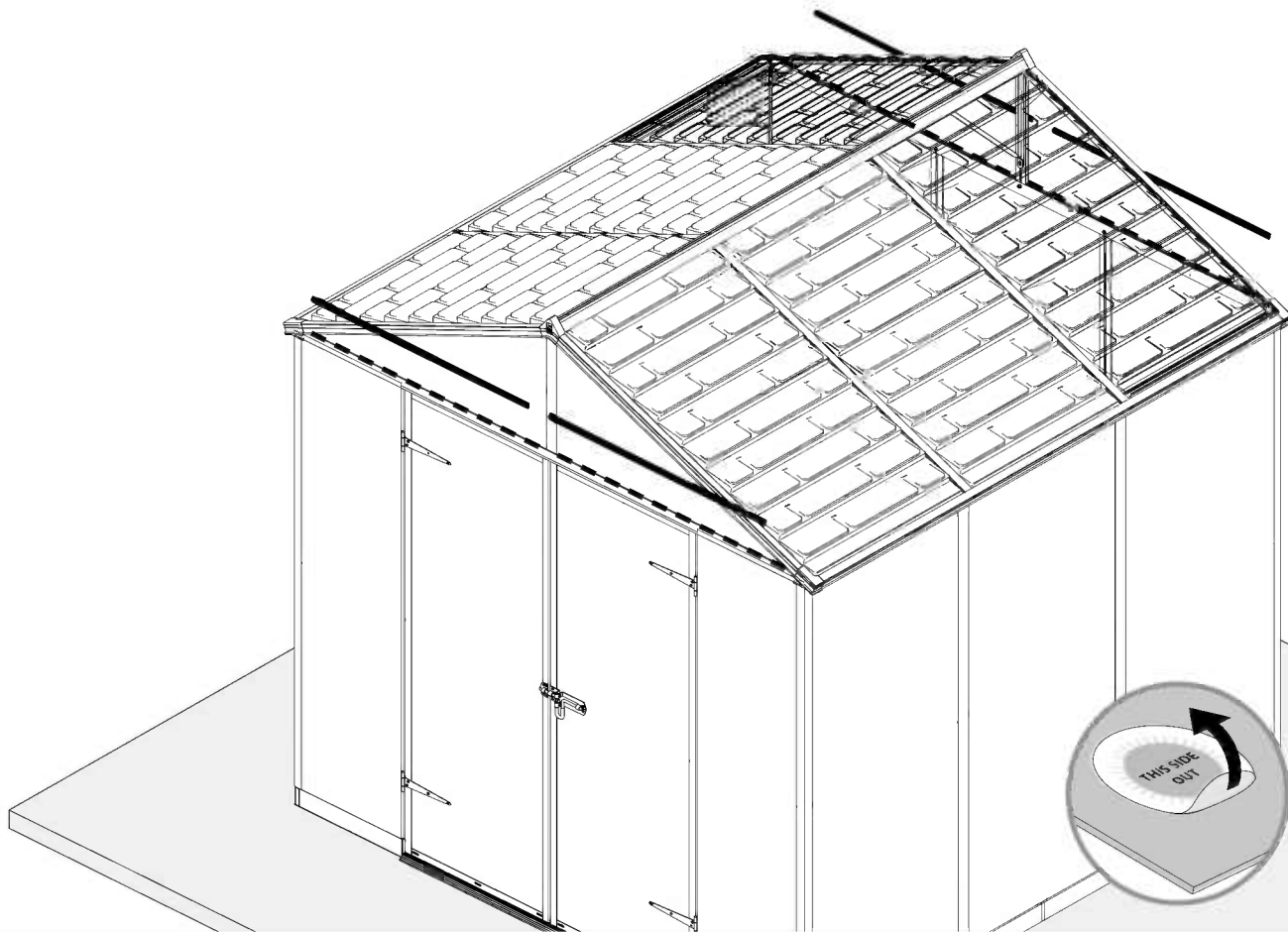
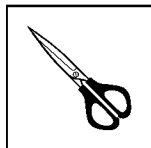
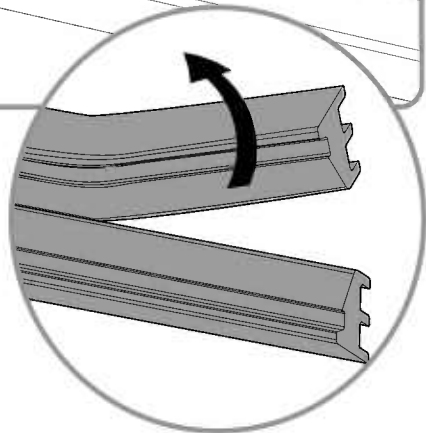
7869 .....



..... 1

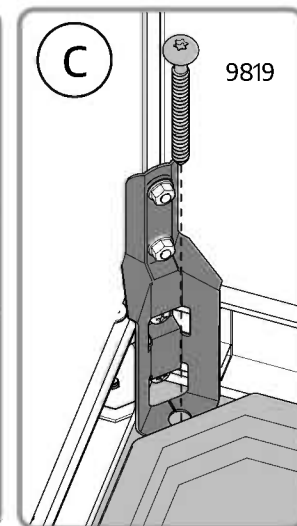
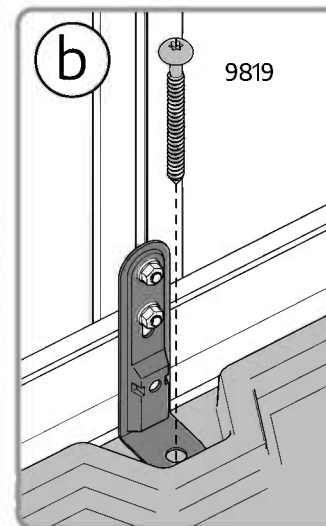
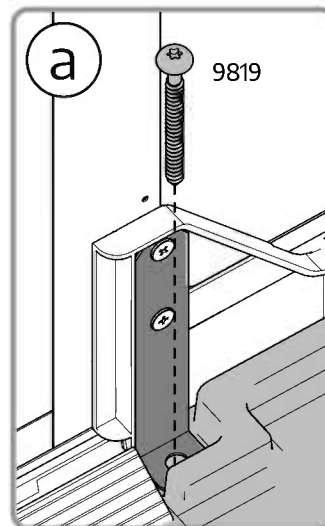
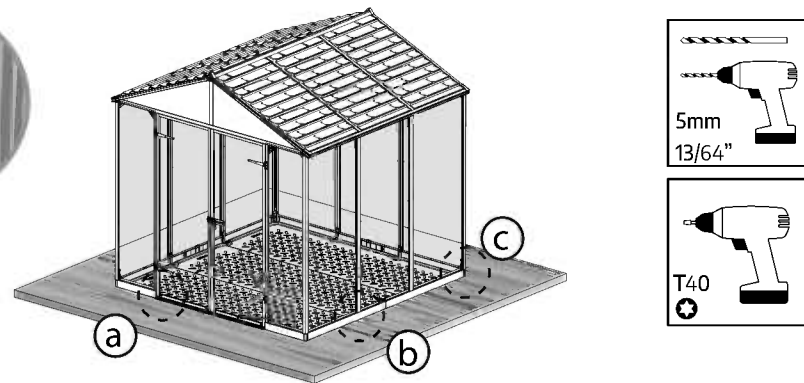
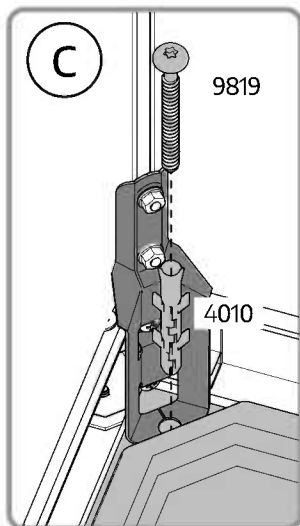
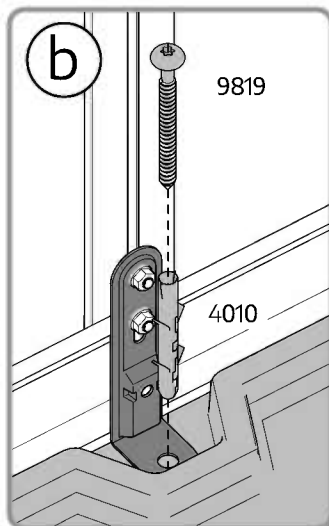
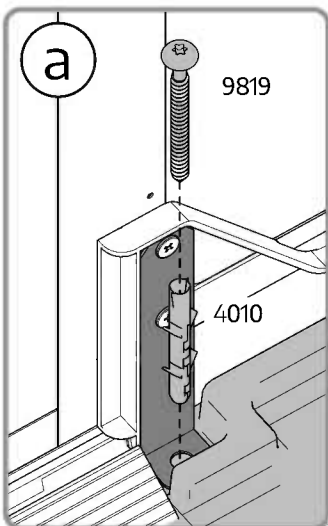
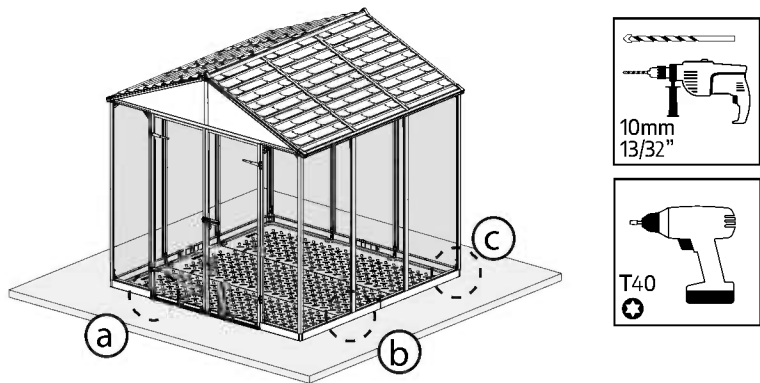
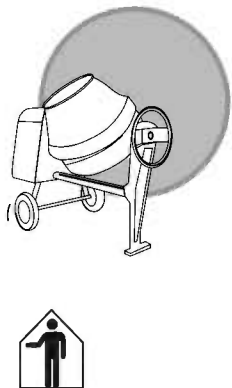


x4





9819 ..... 4  
4010 ..... 4



EN

**PALRAM - CANOPIA | 12 YEAR LIMITED WARRANTY**

Palram Canopia Ltd. (Company number: 512106824) whose registered office is at Teradion Industrial Park, M.P. Misgav 2017400, Israel ("Canopia") warrants that the product will be free from defects in material or workmanship for a period of 12 years from the original date of purchase. • This warranty is valid only if the product is installed, handled, cleaned, and maintained in accordance with Canopia's written specifications. • This warranty does not cover defects resulting from normal wear and tear including, but not limited to: damage caused by use of force, incorrect handling, inappropriate use, negligence, accidents, impact from foreign objects, vandalism, pollutants, alteration, painting, damage resulting from cleaning with incompatible detergents or minor deviations of the product. • This warranty does not apply to damage resulting from "acts of Nature", which includes but is not limited to hail, storm, tornado, hurricane, blizzard, flood, or fire. • Upon submitting proof of purchase and evidence of the claimed product failure, and subject to reporting the failure in writing within 30 days after discovery of the defect, Canopia, at its sole discretion, will replace defective parts of the Product, or refund you a prorated portion of the purchase price on a straight-line depreciated basis for the length of the warranty.

FR

**GARANTIE LIMITÉE À 12 ANS DE PALRAM - CANOPIA**

Palram Canopia Ltd. (Compagnie n° 512106824) dont le siège social est adressé au Parc Industriel Teradion, M.P. Misgav 2017400, Israël ("Canopia") garantit que le produit est exempt de tout défaut de matériau ou de fabrication pendant une période de 12 ans à compter de la date d'achat initiale. • Cette garantie n'est valable que si le produit est installé, manipulé, nettoyé et entretenu conformément aux spécifications établies par écrit de Canopia. • Cette garantie ne couvre pas les défauts résultant de l'usage normale, y compris, mais sans s'y limiter, les suivants : dommages causés par le forçage du produit, une mauvaise manipulation, une utilisation incorrecte, la négligence, les accidents, l'impact de corps étrangers, le vandalisme, les contaminants, les modifications, l'application de peinture, le nettoyage avec des détergents incompatibles ou les modifications mineures du produit. • Cette garantie ne s'applique pas aux dommages résultant de "catastrophes naturelles", y compris, mais sans s'y limiter, la grêle, les tempêtes, les tornades, les ouragans, les blizzards, les inondations ou les incendies. • Sur présentation de la preuve d'achat du Produit ainsi que de la preuve de la défaillance alléguée, et à condition que vous signaliez la défaillance par écrit dans les 30 jours suivant la découverte du défaut, Canopia remplacera, à sa seule discrétion, les pièces défectueuses du produit ou vous remboursera une partie proportionnelle du prix d'achat sur une base d'amortissement linéaire pour la durée de la garantie.

DE

**12 JAHRE BESCHRÄNKTE GARANTIE VON PALRAM - CANOPIA**

Palram Canopia Ltd. (Firmennummer: 512106824) mit Sitz in Teradion Industrial Park, M.P. Misgav 2017400, Israel („Canopia“) garantiert, dass das Produkt für einen Zeitraum von 12 Jahren ab dem ursprünglichen Kaufdatum frei von Material- und Verarbeitungsfehlern ist. • Diese Garantie ist nur gültig, wenn das Produkt gemäß den schriftlichen Spezifikationen von Canopia installiert, behandelt, gereinigt und gewartet wird. • Diese Garantie deckt keine Defekte ab, die auf normalen Verschleiß zurückzuführen sind, einschließlich, aber nicht beschränkt auf: Schäden, die durch Gewaltanwendung, falsche Handhabung, unsachgemäßen Gebrauch, Fahrlässigkeit, Unfälle, Einwirkungen von Fremdkörpern, Vandalismus, Schadstoffe, Veränderungen, Anstriche, Schäden, die durch Reinigung mit unverträglichen Reinigungsmitteln entstanden sind, oder geringfügige Abweichungen des Produkts. • Diese Garantie gilt nicht für Schäden, die durch „höhere Gewalt“ entstanden sind, wie z. B. Hagel, Sturm, Tornado, Orkan, Schneesturm, Überschwemmung oder Feuer. • Bei Einreichung des Kaufbelegs und des Nachweises des beanstandeten Produktfehlers und vorbehaltlich der schriftlichen Meldung des Fehlers innerhalb von 30 Tagen nach Entdeckung des Fehlers ersetzt Canopia nach eigenem Ermessen die fehlerhaften Teile des Produkts oder erstattet Ihnen einen anteiligen Teil des Kaufpreises auf linearer Abschreibungsbasis für die Dauer der Garantie.

ES

**GARANTÍA LIMITADA DE 12 AÑOS DE PALRAM - CANOPIA**

Palram Canopia Ltd. (Número de la compañía: 512106824) cuya oficina registrada se encuentra en Teradion Industrial Park, M.P. Misgav 2017400, Israel ("Canopia") garantiza que el producto estará libre de defectos de material o de fabricación durante un periodo de 12 años a partir de la fecha inicial de compra. • Esta garantía solo es válida si el producto se instala, manipula, limpia y mantiene de acuerdo con las especificaciones por escrito de Canopia. • Esta garantía no cubre los defectos resultantes del desgaste normal, entre lo que se incluye, entre otras cosas, lo siguiente: daños causados al forzar el producto, al manipularlo de forma incorrecta, al emplearlo de forma inapropiada, por negligencia, por accidentes, por impactos de objetos extraños, por vandalismo, por contaminantes, por modificaciones, por haber sido pintado, por la limpieza con detergentes incompatibles o por pequeñas modificaciones del producto. • Esta garantía no se aplica a los daños que resulten de "fenómenos naturales", lo que incluye, pero no se limita, al granizo, las tormentas, los tornados, los huracanes, las ventiscas, las inundaciones o los incendios. • Al presentar el comprobante de compra del producto así como una prueba de la falla que se reclama, y a condición de reportar la falla por escrito dentro de los 30 días siguientes al descubrimiento del defecto, Canopia, a su sola discreción, sustituirá las partes defectuosas del Producto, o le reembolsará una porción prorrateada del precio de compra de acuerdo a una base de depreciación lineal según la duración de la garantía.

SV

**BEGRÄNSNINGAR I PALRAM - CANOPIA 12-ÅRS GARANTI**

Palram Canopia Ltd. (Bolagsnummer: 512106824) vars registrerade huvudkontor har adressen: Teradion Industrial Park, M.P. Misgav 2017400, Israel ("Canopia") garanterar att produkten är fri från material- och tillverkningsfel under en period av 12 år från det ursprungliga inköpsdatumet. • Garantin gäller endast om produkten installeras, hanteras, rengörs och underhålls i enlighet med Canopias skriftliga specifikationer. • Garantin täcker inte defekter som beror på normalt slitage, inklusive, men inte begränsat till: skador som orsakats av våld, felaktig hantering, olämplig användning, vårdslöshet, olyckor, påverkan från främmande föremål, vandalism, föroreningar, ändring, målning, skador som orsakats av rengöring med inkompatibla rengöringsmedel eller smärre avvikelser av produkten. • Denna garanti gäller inte för skador till följd av "naturkatastrofer", vilket inkluderar men inte är begränsat till hagel, storm, tornado, orkan, snöstorm, översvämning eller brand. • Mot uppvisande av inköpsbevis och bevis för det påstådda produktfelet, och under förutsättning att felet rapporteras skriftligen inom 30 dagar efter upptäckten av felet, kommer Canopia, efter eget gottfinnande, att byta ut defekta delar av produkten eller återbetala dig en proportionell del av inköpspriset på linjär avskrivningsbasis under garantins längd.

NN

**PALRAM - CANOPIAS 12 ÅRS BEGRENSEDE GARANTI**

Palram Canopia Ltd. (Selskapsnummer: 512106824) med hovedkontor i Teradion Industrial Park, M.P. Misgav 2017400, Israel ("Canopia") garanterer at produktet vil være uten defekter i materiale eller utførelse i en periode på 12 år fra den opprinnelige kjøpsdatoen. • Denne garantien gjelder bare hvis produktet er installert, håndtert, rengjort og vedlikeholdt i henhold til Canopias skriftlige spesifikasjoner. • Denne garantien dekker ikke feil som skyldes normal slitasje, inkludert, men ikke begrenset til: skade forårsaket av bruk av makt, feil håndtering, upassende bruk, uaktsomhet, ulykker, påvirkning fra fremmedlegemer, hærverk, miljøgifter, endring, maling, skade som følge av rengjøring med inkompatible vaskemidler eller mindre avvik i produktet. • Denne garantien gjelder ikke for skader som følge av naturfenomener, inkludert, men ikke begrenset til, hagl, storm, tornado, orkan, snøstorm, flom eller brann. • Ved innlevering av kvittering på kjøp og bevis på den påståtte produktfeilen, og med forbehold om skriftlig rapportering av feilen innen 30 dager etter oppdagelsen av feilen, vil Canopia, etter eget skjønn, erstatte defekte deler av produktet, eller refundere deg en del av kjøpesummen beregnet ved bruk av lineær metode på grunnlag av garantiens varighet.

<b>FI</b>	<p><b>PALRAM - CANOPIA ´N I 12 VUODEN RAJOITETUT TAKUUEHDOT</b></p> <p>Palram Canopia Ltd. (yhtiön rek.nro 512106824) jonka päätoimipiste toimii osoitteessa Teradion Industrial Park, M.P Misgav 2017400, Israel. ("Canopia") takaa, että tuotteessa ei ole materiaali- tai valmistusvirheitä 12 vuoden ajan alkuperäisestä ostopäivästä. • Tämä takuu on voimassa vain, jos tuote on asennettu, sitä on käsitelty, puhdistettu ja huollettu Canopian kirjallisten ohjeiden mukaisesti. • Tämä takuu ei kata vikoja, jotka johtuvat normaalista kulumisesta, mukaan lukien mutta rajoittumatta: voimankäytöstä aiheutuneet vahingot, väärä käsittely, sopimaton käyttö, huolimattomuus, onnettomuudet, vierasesineiden törmäykset, ilkivalta, saasteet, muutokset, maalaus, vauriot jotka johtuvat puhdistuksesta yhteensopimattomilla pesuaineilla, tai tuotteen vähäisistä poikkeamista. • Tämä takuu ei koske vaurioita, jotka johtuvat luonnonvoimista, joihin kuuluvat muun muassa rakeet, myrsky, tornado, hurrikaani, lumimyrsky, tulva tai tulipalo. • Canopia oman harkintansa mukaan vaihtaa vialliset tuotteen osat tai palauttaa sinulle tuotteen vialliset osat toimitettuasi ostotodistuksen ja todisteet väitetystä tuotteen viasta ja ilmoittamalla virheestä kirjallisesti 30 päivän kuluessa vian havaitsemisesta, tai hyvittää sinulle suhteellisen osuuden ostohinnasta laskettuna tasapainotoina kuluneen takuuaajan mukaisesti.</p>	<p><b>GARANZIA LIMITATA 12 ANNI I PALRAM - CANOPIA</b></p> <p>Palram Canopia Ltd. (società numero: 512106824) i cui uffici registrati hanno sede a Teradion Industrial Park, M.P Misgav 2017400, Israele ("Canopia") garantisce che il prodotto è privo di difetti di materiale o di lavorazione per un periodo di 12 anni dalla data di acquisto iniziale. • La garanzia è valida solo se il prodotto viene installato, trattato, pulito e sottoposto a manutenzione in conformità alle specifiche scritte di Canopia. • Questa garanzia non copre i difetti derivanti dalla normale usura, inclusi, ma non solo, i seguenti: danni causati da forzature del prodotto, uso improprio, negligenza, incidenti, impatto di oggetti estranei, vandalismo, contaminazione, modifiche, verniciatura, pulizia con detersivi incompatibili o modifiche minori del prodotto. • Questa garanzia non si applica ai danni derivanti da "cause di forza maggiore", tra cui, a titolo esemplificativo, grandine, tempeste, tornado, uragani, bufere, inondazioni o incendi. • Su presentazione della prova d'acquisto del Prodotto e della prova del presunto guasto, e a condizione che lei denunci il guasto per iscritto entro 30 giorni dalla scoperta del difetto, Canopia, a sua esclusiva discrezione, sostituirà le parti difettose del Prodotto o rimborserà una parte proporzionale del prezzo d'acquisto sulla base di un ammortamento lineare per la durata della garanzia.</p>
<b>DA</b>	<p><b>PALRAM - CANOPIAS I 12 ÅRS BEGRÆNSET GARANTI</b></p> <p>Palram Canopia Ltd. (Virksomhedsregistreringsnummer: 512106824), registreret på adressen Teradion Industrial Park, M.P Misgav 2017400, Israel ("Canopia"), garanterer, at produktet vil være uden defekter i materiale eller udførelse i en periode på 12 år fra den oprindelige købsdato. • Denne garanti gælder kun, hvis produktet er installeret, håndteret, rengjort og vedligeholdt i overensstemmelse med Canopias skriftlige specifikationer. • Denne garanti dækker ikke defekter, der skyldes normal slitage, herunder, men ikke begrænset til: skader forårsaget af magtanvendelse, forkert håndtering, forkert brug, uagtsomhed, ulykker, udsættelse for fremmedlegemer, hærværk, miljøgifte, ændring, maling, skader som følge af rengøring med uforenelige rengøringsmidler eller mindre afvigelser i produktet. • Denne garanti dækker ikke skader som følge af naturfænomener, herunder, men ikke begrænset til, hagl, storm, tornado, orkan, snestorm, oversvømmelse eller brand. • Ved fremsendelse af en kvittering for køb og bevis for den påståede produktfejl, og med forbehold for skriftlig indberetning af defekten inden for 30 dage efter opdagelsen af defekten, vil Canopia efter eget skøn udskifte defekte dele af produktet, eller refundere dig en del af købsprisen beregnet ved hjælp af den lineære metode på grundlag af garantiens varighed.</p>	<p><b>12-ROČNÁ OBMEDZENÁ ZÁRUKA I PALRAM - CANOPIA</b></p> <p>Palram Canopia Ltd. (číslo spoločnosti: 512106824), ktorej sídlo je v priemyselnom parku Teradion, M.P Misgav 2017400, Izrael ďalej len („Canopia“) zaručuje, že výrobok bude bez väd materiálu alebo spracovania po dobu 12 rokov od pôvodného dátumu nákupu. • Táto záruka platí len vtedy, ak je výrobok nainštalovaný, je s ním manipulované, je čistený a udržiavaný v súlade s písomnými špecifikáciami spoločnosti Canopia. • Táto záruka sa nevzťahuje na chyby vyplývajúce z bežného opotrebovania vrátane, ale nie výlučne: poškodenie spôsobené použitím sily, nesprávnou manipuláciou, nevhodným používaním, nedbalosťou, nehodami, nárazom cudzích predmetov, vandalizmom, znečisťujúcimi látkami, úpravou, náterom, poškodením v dôsledku čistenia nekompatibilnými čistiacimi prostriedkami alebo drobnými odchýlkami výrobu. • Táto záruka sa nevzťahuje na škody spôsobené "prírodnými udalosťami", ktoré zahŕňajú okrem iného krupobitie, búrku, tornádo, hurikán, víchricu, povodeň alebo požiar. • Po predložení dokladu o kúpe a dôkazu o reklamovanej poruche výrobku a na základe písomného nahlásenia poruchy do 30 dní od zistenia poruchy vám spoločnosť Canopia podľa vlastného uváženia vymení chybné časti výrobku alebo vám vráti pomernú časť kúpnej ceny na základe rovnomerného odpisovania počas trvania záruky.</p>
<b>NL</b>	<p><b>PALRAM - CANOPIA'S I 12 JAARS BEPERKTE GARANTIE</b></p> <p>Palram Canopia Ltd. (Bedrijfsnummer: 512106824) met maatschappelijke zetel te Teradion Industrial Park, M.P Misgav 2017400, Israël ("Canopia") garandeert dat het product vrij zal zijn van materiaal- of fabricagefouten gedurende een periode van 12 jaar vanaf de oorspronkelijke aankoopdatum. • Deze garantie is alleen geldig als het product wordt geïnstalleerd, gehanteerd, gereinigd en onderhouden in overeenstemming met de schriftelijke specificaties van Canopia. • Deze garantie dekt geen defecten die het gevolg zijn van normale slijtage, waaronder, maar niet beperkt tot: schade veroorzaakt door het gebruik van geweld, onjuist gebruik, nalatigheid, ongevallen, impact van vreemde voorwerpen, vandalisme, verontreinigende stoffen, wijziging, beschouwing, schade als gevolg van reiniging met onverenigbare detergentia of kleine afwijkingen van het product. • Deze garantie is niet van toepassing op schade die het gevolg is van "natuurrampen", waaronder maar niet beperkt tot hagel, storm, tornado, orkaan, sneeuwstorm, overstroming of brand. • Na het indienen van het aankoopbewijs en het bewijs van het geclaimde productfalen, en onder voorbehoud van het schriftelijk melden van het falen binnen 30 dagen na ontdekking van het defect, zal Canopia, naar eigen goeddunken, defecte onderdelen van het product vervangen of u een pro rata deel van de aankoopprijs terugbetalen op een lineaire afschrijvingsbasis voor de duur van de garantie.</p>	<p><b>12-LETNA OMEJENA GARANCIJA PODJETJA I PALRAM - CANOPIA</b></p> <p>Podjetje Palram Canopia Ltd. (matična številka: 512106824), katerega sedež je na naslovu Teradion Industrial Park, M.P Misgav 2017400, Izrael podjetje ("Canopia"), jamči, da bo izdelek brez napak v materialu ali izdelavi za obdobje 12 let od prvotnega datuma nakupa. • Ta garancija velja le, če je izdelek nameščen, obdelan, očiščen in vzdrževan v skladu s pisnimi specifikacijami podjetja Canopia. • Ta garancija ne krije napak, ki so posledica običajne obrabe, vključno, vendar ne omejeno na: škodo, ki jo povzroči uporaba sile, nepravilno ravnanje, neprimerno uporabo, malomarnost, nesreče, udarce tujih predmetov, vandalizem, onesnaževala, spremembe, barvanje, škodo, ki je posledica čiščenja z nezdržljivimi detergenti ali manjša odstopanja izdelka. • Ta garancija ne velja za škodo, ki izhaja iz "naravnih pojavov", ki vključuje, vendar ni omejena na točo, nevihto, tornado, orkan, snežni metež, poplavo ali požar. • Po predložitvi dokazila o nakupu in dokazila o zatrtjevanju napaki izdelka ter ob pisni prijavi napake v 30 dneh po odkritju napake bo Palram - Canopia po lastni presoji zamenjal okvarjene dele izdelka ali vam povrnil sorazmerni delež nakupne cene po metodi enakomernega časovnega amortiziranja za čas trajanja garancije.</p>



ET

**PALRAM - CANOPIA | 12 - AASTANE PIIRATUD GARANTII**

Palram Canopia Ltd. (Ettevõtte number: 512106824), kelle registrijärgne asukoht on Teradion Tööstuspargis, M. Misgav 2017400, Iisrael („Canopia“) annab garantii, et tootel ei esine materjali- ega tootmisdefekte 12 aasta jooksul alates esialgsest ostukuupäevast.

- Käesolev garantii on kehtiv ainult juhul, kui toode on paigaldatud, seda on käsitsetud, puhastatud ja hooldatud vastavalt Canopia kirjalikele spetsifikatsioonidele.
- Käesolev garantii ei kata defekte, mis on tingitud tavapärasest kulumisest, sealhulgas, kuid mitte ainult: jõu kasutamisest põhjustatud kahjustused, ebaõige käsitsemine, sobimatu kasutamine, hooletus, õnnetused, kokkupuude võõrkehaga, vandalism, saasteained, muudatused toote juures, värvimine, kahjustused tingituna kokkusobimatute pesuvahenditega puhastamisest või toote väiksematest kõrvalekalletest.
- Käesolev garantii ei kehti kahjustustele, mis on põhjustatud „loodusjõust“, mis hõlmab, kuid ei piiri järgnevaga: rahe, torm, tornado, orkaan, lumetorm, üleujutus ja tulekahju.
- Ostutõendi ja toote väidetava rikke kohta tõendite esitamisel ning juhul, kui tõrkest on kirjalikult teatatud 30 päeva jooksul pärast defekti avastamist, asendab Canopia oma diskretsioonile tuginedes toote defektsed osad või tagastab teile tagastab teile garantiiaja jooksul proportsionaalse osa ostuhinnast, võttes lineaarselt arvesse toote amortisatsiooni.

HU

**A PALRAM - CANOPIA | 12 ÉVES KORLÁTOZOTT JÓTÁLLÁSA**

A Palram Canopia Kft. (cégjegyzékszám: 512106824), amelynek székhelye a Teradion Industrial Park, MP Misgav 2017400, Izrael (a továbbiakban: „Canopia“), a vásárlás időpontjától számítva 12 évig garantálja, hogy a termék nem tartalmaz anyag- vagy egyéb gyártási hibákat.

- Ez a garancia kizárólag akkor érvényes, ha a terméket a Canopia által írásban foglalt előírásainak megfelelően telepítették, kezelték, tisztították és tartották karban.
- Ez a garancia nem terjed ki a szokásos elhasználódásból eredő hibákra, beleértve, de nem kizárólagosan a következőket: Olyan károkat, amelyeket nem megfelelő, erőszakos használat, helytelen kezelés, nem rendeltetésszerű használat, gondatlanság, baleset, idegen tárgyak által okozott sérülések, vandalizmus, szennyeződések, átalakítás, festés, nem megfelelő tisztítószerrel történő tisztítás, vagy a termék akár kismértékű megváltozása okoz.
- A garancia nem vonatkozik a „természeti eredetű“ károkra, ideértve többek között az erős jégesőt, vihart, tornádót, hurrikánt, hóvihart, árvizet vagy tüzesetet.
- A Canopia a vásárlást igazoló bizonylat és a termék meghibásodására vonatkozó bizonyíték benyújtása esetén, valamint a hiba észlelésétől számított 30 napon belül írásban benyújtott kárbejelentés esetén, saját belátása szerint kicseréli a termék hibás részeit, vagy a garancia időtartamának megfelelő, értékcsökkenéssel arányos részét visszatéríti Önnek.

PL

**GWARANCJA PALRAM - CANOPIA OGRANICZONA NA 12 LAT**

Palram Canopia Ltd. (Numer firmy: 512106824) której zarejestrowane biuro znajduje się w Teradion Industrial Park, M.P Misgav 2017400, Izrael („Canopia“) gwarantuje, że produkt będzie wolny od wad materiałowych lub produkcyjnych przez okres 12 lat od daty zakupu.

- Gwarancja jest ważna jedynie wtedy, gdy produkt jest instalowany, obsługiwany, czyszczony i konserwowany zgodnie z pisemną dokumentacją firmy Canopia.
- Gwarancja nie obejmuje wad spowodowanych normalnym zużyciem eksploatacyjnym, takich jak uszkodzenia wynikające z użycia siły, nieprawidłowej obsługi, nieprawidłowego korzystania, zaniedbania, wypadku, uderzenia przez ciało obce, aktu wandalizmu, działania polutantów, modyfikacji, malowania, czyszczenia za pomocą nieodpowiednich detergentów lub niewielkich odchyłań produktu.
- Gwarancja nie obejmuje również uszkodzeń spowodowanych „silami przyrody“, takimi jak grad, burza, tornado, huragan, śnieżycy, powódź lub ogień.
- Po przesłaniu potwierdzenia zakupu oraz dowodu wskazującego wadę produktu i zgłoszeniu tej wady na piśmie w terminie 30 dni od chwili jej wykrycia Canopia wymieni wadliwe części produktu lub dokona zwrotu kwoty odpowiadającej proporcjonalnej części ceny zakupu w oparciu o zasadę amortyzacji liniowej, w okresie obowiązywania gwarancji i według własnego uznania.

LT

**PALRAM - CANOPIA | 12 GADU IEROBEŽOTĀ GARANTĪJA**

Firma Palram Canopia Ltd. (Uzņēmuma numurs: 512106824), kura juridiskā adrese ir Teradion Industrial Park, M.P Misgav 2017400, Izraēla („Canopia“) sākot no iegādes datuma, izsniedz 12 gadu garantiju, nodrošinot, ka iegādātajam Produktam nebūs nedz izejmateriāla, nedz arī ražošanas bojājumu.

- Izsniegtā garantija ir spēkā tikai un vienīgi tad, ja Produkts ir uzstādīts, tīrīts, kopts un izmantots tieši tā, kā tas tiek aprakstīts Canopia rokasgrāmatā.
- Šī garantija neattiecas uz tādiem bojājumiem, kas radušies ikdienas nolietojuma rezultātā, tostarp, bet ne tikai: bojājumiem, kas radušies pārlieka spēka pielietošanas rezultātā; nepareizas vai neatbilstīgas lietošanas dēļ; nolaidības; negādījuma rezultātā; trieciena, vandālisma vai piesārņojuma rezultātā; pārkrāsošanas vai patvaļīgas produkta pārveides dēļ; bojājumiem, kas radušies, apstrādājot produktu ar neatbilstošiem tīrīšanas līdzekļiem. Garantija neattiecas uz maznozīmīgām atšķirībām Produkta aprakstā.
- Šī garantija nesedz tādus bojājumus, kas radušies dabas katastrofu rezultātā, tostarp, bet ne tikai: krusas, vētras, viesuļvētras, tomado, sniegpušu, plūdu vai ugunsgrēka gadījumā. Lai saņemtu garantiju, 30 dienu laikā pēc Produkta bojājuma atklāšanas lūdzam rakstiskā veidā paziņot par bojājuma veidu, pievienojot Pretenzijai pirkuma apliecināšo dokumentu.
- Firma "Palram Canopia Ltd." pēc saviem ieskatiem nomainīs bojātās Produkta daļas vai arī atmaksās naudas summu, kas ir proporcionāla pirkuma cenai, - ņemot vērā garantijas laiku un Produkta proporcionālo nolietojumu.

CS

**12 LETÁ OMEZENÁ ZÁRUKA PALRAM - CANOPIA**

Palram Canopia Ltd. (Společnost číslo: 512106824), jejíž registrační kancelář je na adrese Teradion Industrial Park, M.P Misgav 2017400, Izrael („Canopia“), zaručuje, že produkt bude bez vad materiálu nebo zpracování po dobu 12 let od původního data nákupu.

- Tato záruka je platná pouze v případě, že je produkt instalován, manipulován, čištěn a udržován v souladu s psanými specifikacemi společnosti Canopia.
- Tato záruka se nevztahuje na vady způsobené běžným opotřebením, mimo jiné: poškození způsobené použitím síly, nesprávnou manipulací, nevhodným použitím, nedbalostí, nehodami, nárazem cizích předmětů, vandalismem, znečišťujícími látkami, úpravami, lakováním, poškozením z důsledku čištění nekompatibilními čisticími prostředky nebo drobnými odchylkami výrobku.
- Tato záruka se nevztahuje na škody vzniklé v důsledku „přírodních činů“, které zahrnují, ale nejsou omezeny na krupobití, bouři, tornádo, hurikán, vánici, povodeň nebo požár.
- Canopia, po předložení dokladu o koupi a dokladu o reklamované závadě výrobku a pod podmínkou písemného nahlášení závady do 30 dnů od zjištění závady, dle vlastního uvážení vymění vadné části produktu nebo vám vrátí poměrnou část kupní ceny na základě rovnoměrného odepisování po dobu záruky.

HR

**PALRAM - CANOPIA | 12 GODINA OGRANIČENO JAMSTVO**

Palram Canopia Ltd. (Broj tvrtke: 512106824) čiji je sjedište u industrijskom parku Teradion, M.P Misgav 2017400, Izrael („Canopia“) jamči, da će proizvod biti bez grešaka u materijalu ili izradi u razdoblju od 12 godina, od prvobitnog datuma kupnje.

- Ovo jamstvo vrijedi samo ako se proizvod instalira, rukuje, čisti i održava u skladu s pisanim specifikacijama tvrtke Canopia.
- Ovo jamstvo ne pokriva greške, koji proizlaze iz uobičajenog trošenja uključujući, ali ne ograničavajući se na: štetu uzrokovanu uporabom sile, nepravilnim rukovanjem, neprikladnom uporabom, nesarom, nesrećama, udarcima stranih tijela, vandalizmom, zagađivačima, izmjenama, bojanjem, oštećenjem, koji je rezultat čišćenja nekompatibilnim deterdžentima ili manjih odstupanja proizvoda.
- Ovo se jamstvo ne odnosi na štetu koja je posljedica "prirodnih djelova", što uključuje, ali nije ograničeno na tuču, oluju, tornado, uragan, mećavu, poplavu ili požar.
- Nakon podnošenja dokaza o kupnji i dokaza o navedenom kvaru proizvoda, te uz prijavu kvara u pisanom obliku u roku od 30 dana nakon otkrivanja kvara, Canopia će prema vlastitom nahođenju, zamijeniti neispravne dijelove proizvoda ili vratiti novac proporcionalni dio nabavne cijene na osnovi linearne amortizacije tijekom trajanja jamstva.

RU

**PALRAM - CANOPIA | 12 лет ограниченной гарантии**

Palram Canopia Ltd. (номер компании: 512106824), юридический адрес: Teradion Industrial Park, MP Misgav 2017400, Israel («Canopia») гарантирует, что в течение 12 лет с исходной даты покупки продукт не будет иметь дефектов изготовления и материалов. • Данная гарантия имеет силу только, если продукт был установлен, обрабатывался, очищался и обслуживался согласно письменным указаниям Canopia. • Данная гарантия не покрывает дефекты, возникшие в результате нормальной эксплуатации, включая, но не ограничиваясь следующим: повреждения, полученные в результате применения силы, нарушение правил эксплуатации, использование не по назначению, халатное отношение, аварийная ситуация, воздействие посторонних объектов, умышленная порча, загрязнение, переделка, покраска, повреждения, полученные в результате очистки несовместимыми моющими средствами или небольшие отклонения продукта. • Данная гарантия не покрывает повреждения, полученные в результате природных катаклизмов, включая, но не ограничиваясь следующим: град, шторм, торнадо, ураган, снежная буря, наводнение или пожар. • После предъявления доказательства покупки, подтверждения заявленного дефекта продукта и письменного сообщения о дефекте в течение 30 дней после обнаружения дефекта, Canopia по своему усмотрению, заменит дефектные части продукта или выплатит пропорциональную часть цены покупки на основе равномерной амортизации на период действия гарантии.

RO

**PALRAM - CANOPIAS | GARANTIE LIMITATA DE 12 ANI**

Palram Canopia Ltd. (Companie Nr: 512106824) cu sediul la Parcul Industrial Teradion, oficiul poștal mobil Misgav 2017400, Israel (în continuare „Canopia”) garantează că produsul va fi menținut fără defecte de material sau de folosire pentru o perioadă de 12 ani de la data inițială de cumpărare. • Această garanție este valabilă numai dacă produsul este instalat, folosit, curățat și întreținut în conformitate cu specificațiile prescrite de Canopia. • Această garanție nu acoperă defectele rezultate de la uzura normală, inclusiv, dar fără a se limita: daune cauzate de folosirea forței, folosirea incorectă, utilizarea inadecvată, neglijență, accidente, impact de la obiecte străine, vandalism, poluanți, alterare, vopsire, daune rezultate din curățare cu detergenți incompatibili sau distorsiuni minore ale produsului. • Această garanție nu este aplicabilă daunelor rezultate din „acte ale naturii”, care includ, dar fără a se limita: grindină, furtună, tornado, uragan, viscol, inundație sau incendiu. • La trimiterea dovezii de cumpărare și a dovezii de defecțiune a produsului revendicat, și sub rezerva raportării defecțiunii, în scris, în termen de 30 de zile de la descoperirea defectului reclamat, Compania Canopia, la propria sa discreție, va înlocui părțile defecte ale produsului sau vă va rambursa o parte proporțională din prețul de achiziție, pe bază de amortizare liniară, pentru durata garanției.

BG

**PALRAM - CANOPIA | 12 години ограничена гарантия**

Palram Canopia Ltd. (Номер на компанията: 512106824), чийто седалище е в Teradion Industrial Park, M.P Misgav 2017400, Израел („Canopia”) гарантира, че продуктът няма да има дефекти по отношение на материала или изработката за определен период от 12 години от първоначалната дата на закупуване. • Тази гаранция е валидна само ако продуктът е монтиран, манипулиран, почистван, и се поддържа в съответствие с писмените спецификации на Canopia. • Тази гаранция не покрива дефекти, произтичащи от нормално износване, включително, но не само: щети, причинени от използване на сила, неправилно боравене, неправилна употреба, небрежност, инциденти, удар от чужди предмети, вандализъм, замърсители, промяна, боядисване, щети в резултат на почистване с несъвместими препарати или незначителни отклонения на продукта. • Тази гаранция не важи за повреди в резултат на „природни явления”, което включва, но не се ограничава до градушка, буря, торнадо, ураган, виелица, наводнение или пожар. • След предоставяне на доказателство за покупка и доказателство за заявления дефект на продукта и след писмено докладване на дефекта в рамките на 30 дни след откриването на дефекта, Canopia, по свое усмотрение, ще замени дефектните части на Продукта или ще ви възстанови пропорционално част от купената цена на база амортизация за продължителността на гаранцията.

HE

**PALRAM - CANOPIA של 12 שנים מוגבלת ל-12**

Palram Canopia Ltd. (פ.ח. 512106824), אשר משרדיה נמצאים בפארק תעשיות תרדיון, ד.נ. משגב 2017400, ישראל ("Canopia") מתחייבת כי המוצר יהיה ללא כל פגם מבחינת החומר והעבודה למשך תקופה של 12 שנים החל מתאריך הרכישה הראשון. • אחריות זו תהיה בתוקף אך ורק עם המוצר יותקן, יטופל, ינוקה, ויתוחזק בהתאם להנחיות הכתובות של Canopia. • אין אחריות זו מכסה פגמים כתוצאה מבליה רגילה וקריעה, אך גם: נזק שנגרם משימוש בכוח, טיפול לא נכון, שימוש לא הולם, הזנחה, תאונות, פגיעה על ידי גופים זרים, ונדלוד, מזחמים, שינויים, צביעה, נזק שנגרם כתוצאה מניקוי באמצעות דטרגנטים לא מתאימים או סטיות קלות של המוצר. • אין אחריות זו מכסה נזק שנגרם מ"כוחות הטבע", הכוללים בין השאר אך לא רק, ברד, סערה, טורנדו, הוריקן, סופת שלגים, שטפון, או אש. • בעת הגשת הוכחת רכישה ועדות לכשל של המוצר, ובכפוף לדיווח בכתב על הכשל תוך 30 יום מהתאריך בו התגלה הפגם, Canopia, בהתאם לשיקול דעתה הבלעדי, תחליף את החלקים הפגומים של המוצר, או תחזיר את החלק היחסי של מחיר הרכישה על בסיס של פחת בשיטת הקו הישר לאורך תקופת האחריות.

LIT

**ĮRENGINIUI TAIKOMA 12 METŲ RIBOTOS ATSAKOMYBĖS GARANTIJA | PALRAM - CANOPIA**

„Palram Canopia Ltd.“ (Įmonės kodas: 512106824), kurios registruota buveinė yra Teradion Industrial Park, M.P Misgav 2017400, Izraelis („Canopia“) suteikia produktui 12 metų garantiją dėl medžiagų ar gamybos defektų nuo pradinės pirkimo datos. • Ši garantija galioja tik tuo atveju, jei produktas yra sumontuotas, tvarkomas, valomas, ir prižiūrimas pagal rašytines „Canopia“ technines sąlygas. • Ši garantija netaikoma defektams, atsiradusiems dėl įprasto nusidėvėjimo, įskaitant, bet neapsiribojant: žałą, padarytą naudojant jėgą, netinkamą elgesį, netinkamą naudojimą, aplaidumą, nelaimingus atsitikimus, pašalinių daiktų poveikį, vandalizmą, teršalus, pakeitimus, dažymą, žałą, atsiradusią dėl valymo nesuderinamais plovikliais, arba nedidelių produkto nukrypimų. • Ši garantija netaikoma žalai, atsiradusiai dėl „gamtos veiksmy“, įskaitant krušą, audrą, tornadą, uraganą, pūgą, potvynį ar gaisrą, bet tuo neapsiribojant. • Pateikusi pirkimo įrodymą ir įrodymus, patvirtinančius, kad produktas yra sugedęs, ir apie gedimą raštu pranešus per 30 dienų nuo defekto nustatymo, „Canopia“ savo nuožiūra pakeis nekokybiškas produkto dalis arba grąžins jums proporcingą pirkimo kainos dalį, taikant tiesinį nusidėvėjimą garantijos laikotarpiui.