



## OWNER'S MANUAL

# SPOT COOLER

---



---

MODEL: 1VASPOT5300

# CONTENTS

SAFETY AND PRECAUTIONS.....	1
TECHNICAL SPECIFICATIONS .....	2
ELECTRICAL SCHEMATIC DIAGRAM .....	2
PRODUCT STRUCTURE.....	3
INSTALLATION INSTRUCTIONS .....	4
OPERATION INSTRUCTIONS .....	5
CONDENSATE TANK.....	6
USAGE REQUIREMENTS .....	7
MAINTENANCE AND CARE GUIDE.....	7
CORRECT DISPOSAL OF THIS PRODUCT.....	7
TROUBLESHOOTING .....	8

---

## **IMPORTANT NOTE:**

- This spot cooler **MUST** be installed in accordance to all local governing codes and ordinances
- This spot cooler **MUST** be installed as specified by these instructions
- Installing this spot cooler requires basic mechanical and electrical skills and should be installed by a qualified professional.

This User Manual provides specific instructions on the installation and operation of your air conditioner. It is important that all SAFETY AND INSTALLATIONS instructions below are followed

# SAFETY & PRECAUTIONS

**BEFORE YOU BEGIN:** READ THESE INSTRUCTIONS CAREFULLY AND COMPLETELY



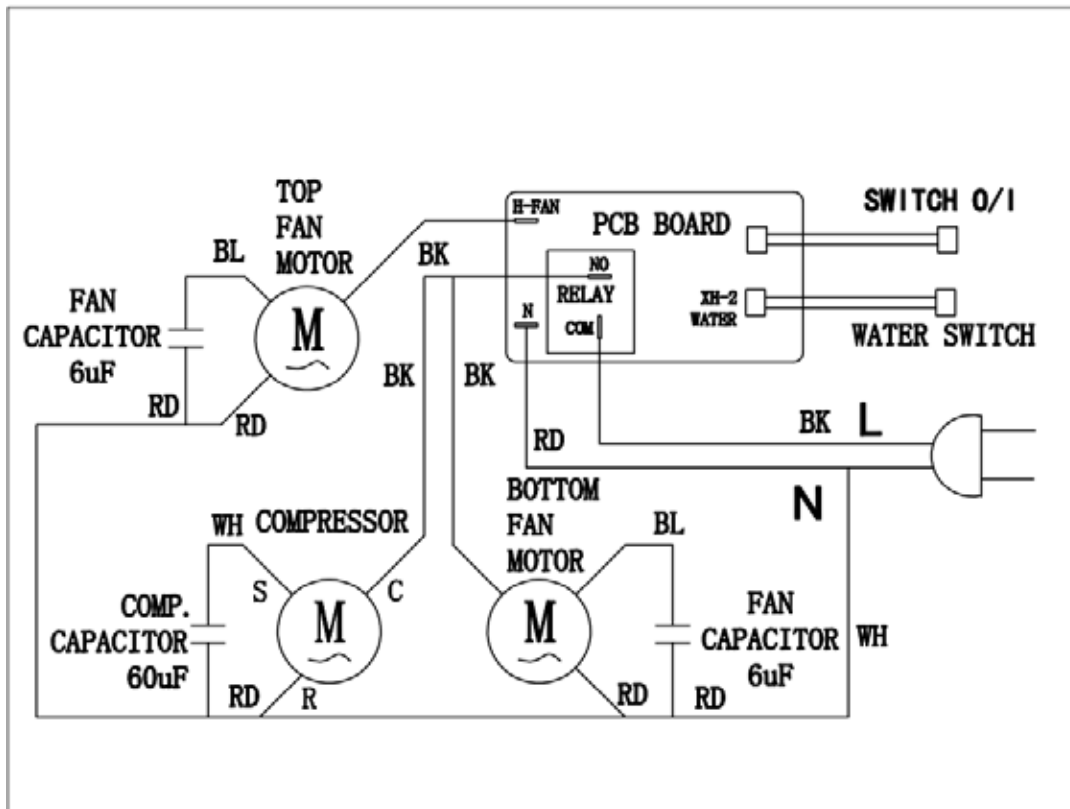
## CAUTION

- Do NOT store unit with condensate in the condensate tank.
- Do not drink any water that is drained from the air conditioner.
- Use a dry and clean cloth to clean any dust or debris on the power plug.
- This unit is not intended to be operated on a boat or vehicle. Failure to follow guidelines may result in safety hazards.
- Please do not stick fingers or hands in the vent.
- This appliance is not intended for use by children. Children should be supervised and should not play on or around the appliance.
- DO NOT operate or install your unit in a potentially explosive, combustible, or corrosive gas environment.
- Keep your unit away from flammable materials and open flame.
- DO NOT move the unit while it is operating. Before moving the unit, first turn off the power, then unplug the system from the power source.
- DO NOT tilt or operate the unit on its side or back. This will damage the compressor.
- DO NOT place objects on top of your unit.
- DO NOT insert your hand or any other object into the cold air supply duct(s).
- If repair is needed, please contact the after-sales service department at the place of purchase.

# TECHNICAL SPECIFICATIONS

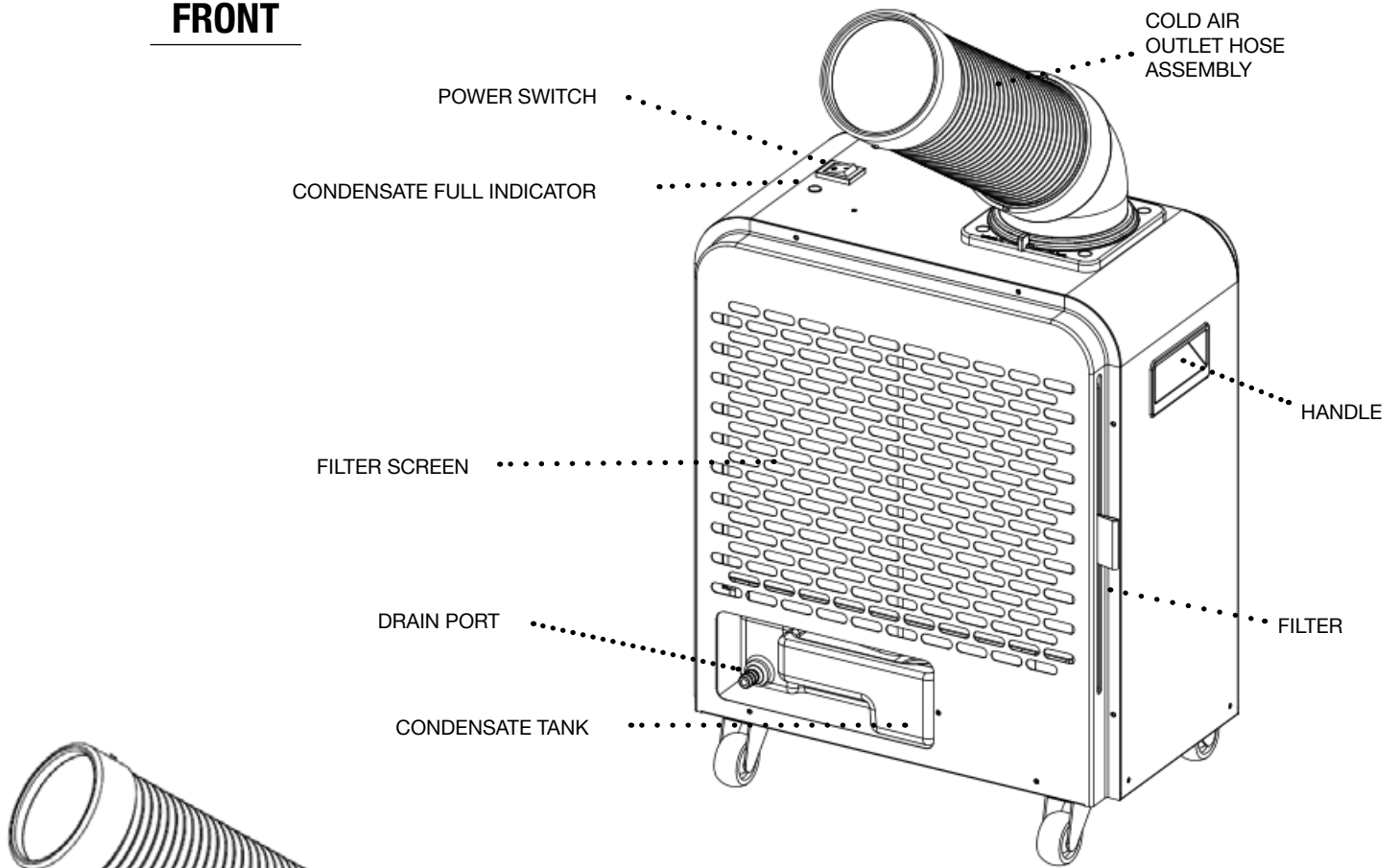
Model Number	1VASPOT5300
Cooling Capacity	5300 Btu/hr
Voltage/Phase/Hz	115V/1Ph/60Hz
Rated Current	7.1 A
Indoor Air Flow	135 ft <sup>3</sup> /min. (230m <sup>3</sup> /h)
Refrigerant Type	R410a
Refrigerant Amount	10.6 oz. (300g)
Ambient Temperature Range	68 °F – 109 °F (20 °C – 43 °C)
Net Weight	56 lbs (25.5 kg)
Gross Weight	62 lbs (28.3 kg)
Product Dimension (Width/Depth/Height)	18.3 in/11.3 in/23.1 in (465*287*586)mm 5

## ELECTRICAL SCHEMATIC DIAGRAM

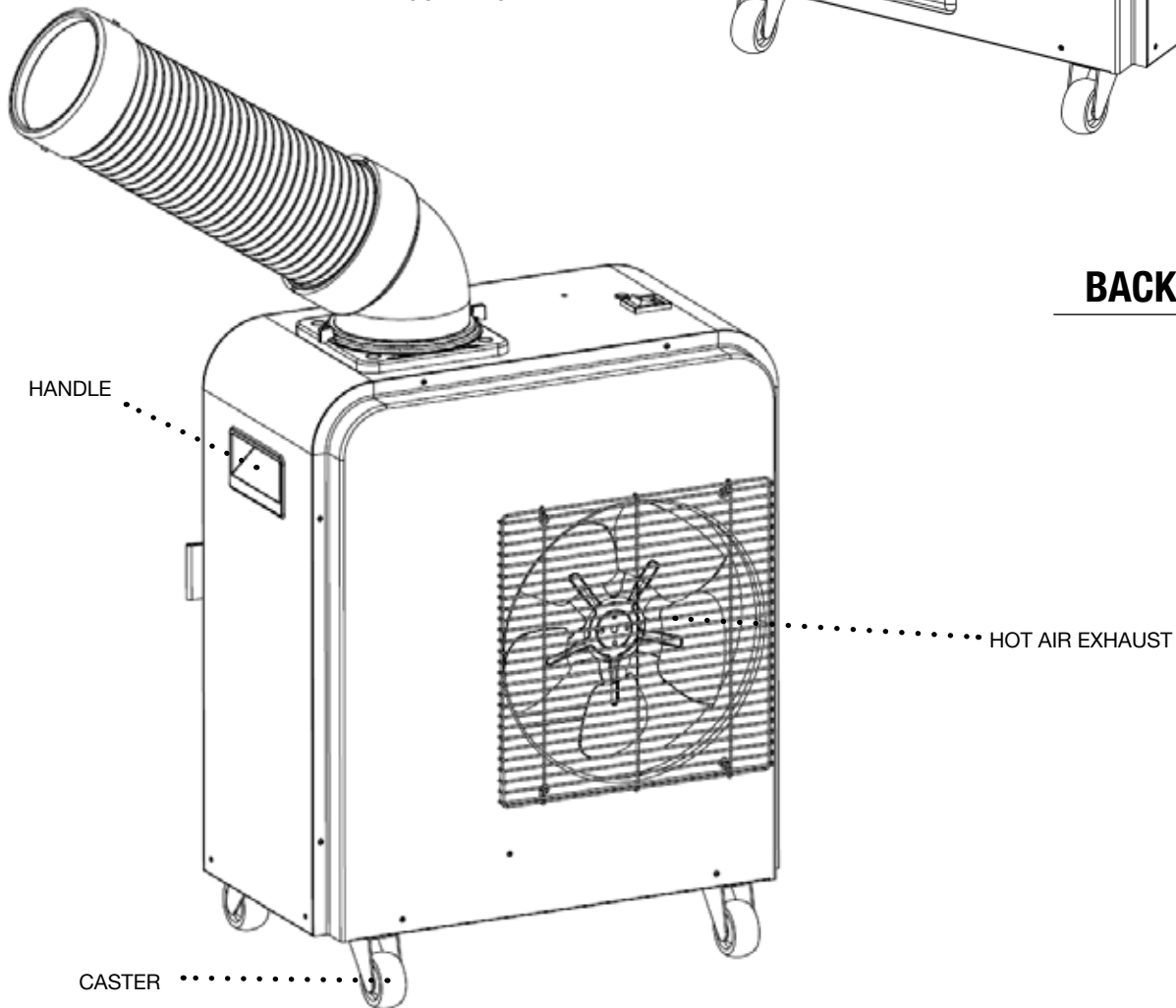


# PRODUCT STRUCTURE

## FRONT



## BACK

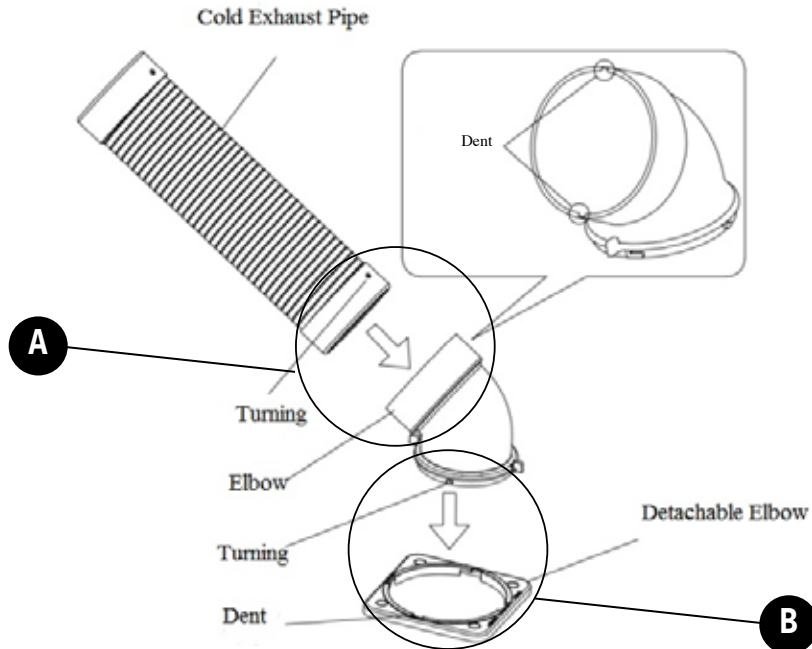


# INSTALLATION INSTRUCTIONS

## COLD AIR EXHAUST HOSE ASSEMBLY:

1. Align the locking tabs of the Cold Exhaust Pipe to the attachment channels (Dent) located on the exhaust elbow as shown in the diagram below (Fig. 1). **A**
2. Insert the locking tabs into the attachment channels (Dent) and turn until they lock into place (Fig. 1). **A**
3. Align the locking tabs on the elbow with the attachment channels (Dent) on the connection plate (Fig. 1). **B**
4. Insert the locking tabs into the attachment channels (Dent) and turn until they lock into place (Fig. 1). **B**

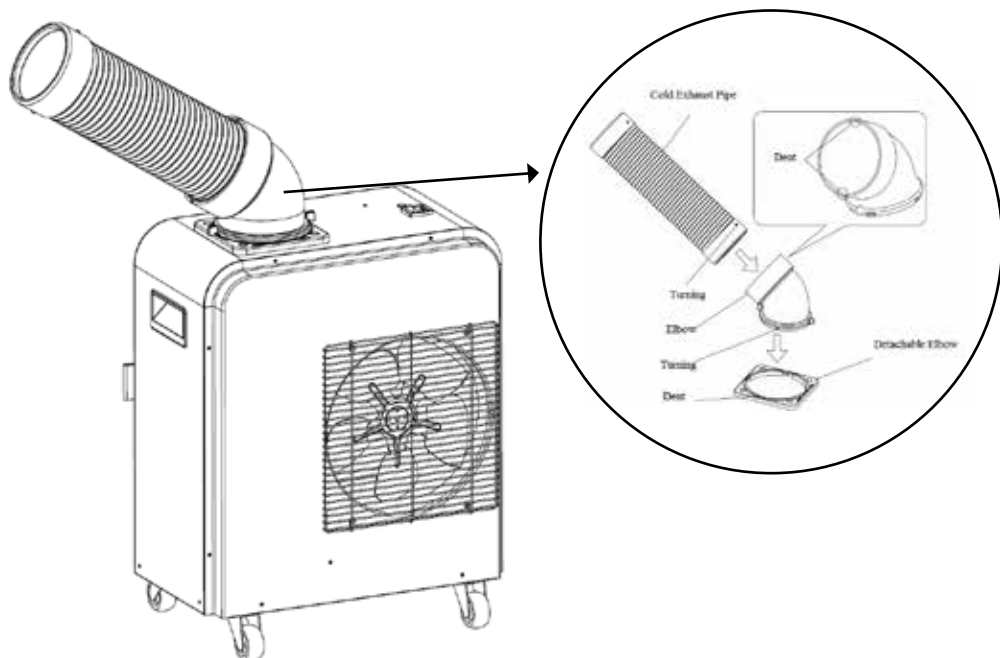
**FIG 1**



## ATTACH COLD AIR EXHAUST HOSE ASSEMBLY TO UNIT:

1. Using the supplied screws, attach the connection plate to the cabinet (Fig.2).

**FIG 2**



# OPERATION INSTRUCTIONS

## OPERATION INSTRUCTIONS

---

- To power ON the unit: press the power switch to the “I” position. On initial startup the, compressor and fan motor will start immediately. It may take a few minutes for the air to start feeling cold.
- To power OFF the unit: press the power switch (rocker) to the “O” position. The compressor and fan motor will stop.

**ATTENTION:** If the unit is powered off or if there is an electrical interruption, there is a minimum three-minute delay after which, the unit will begin to operate again.

## COMPRESSOR OVERHEAT PROTECTION

---

This unit is equipped with an overload protector that is designed to shut down the unit temporarily if the compressor overheats. This overheating can be caused by extremely high or low voltage or by excessively high ambient temperature.

When the overload protection device is activated, the machine will continue to blow air but the compressor will not be operational and the air will not be cold. If the thermal overload protection is frequently activated, please find and eliminate the cause before using the machine.

## WATER ALARM

---

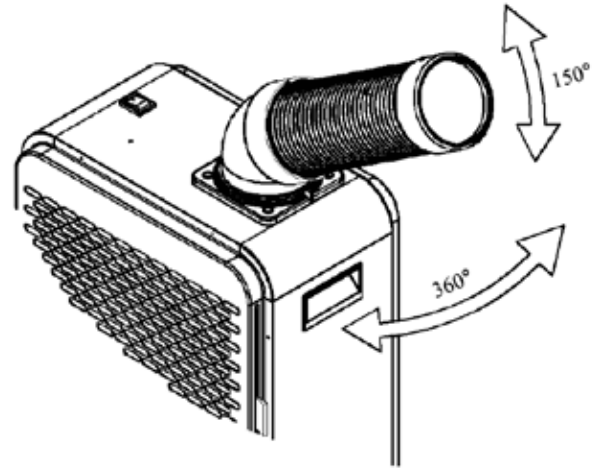
When the volume of condensate in the tank reaches approximately 75% of its fill capacity, the “Condensate Full” sound buzzer will activate. The compressor and fan motor will stop once this occurs.

When the condensate tank is full, turn off the unit by pressing the power switch to the “O” position. The “Water Full” indicator sound buzzer will stop. Remove the condensate tank and dump the contents. Re-insert the empty tank into the unit and power on the air conditioner. The unit should start up normally after a 3-minute delay (Additional instructions in section “VII Condensate Tank.”)

## ADJUSTMENT RANGE AND OPERATION OF THE AIR DIRECTION

- The cold air duct can rotate around 360 degrees
- The cold air duct can be moved up and down by about 150 degrees.

**ATTENTION:** When adjusting the air outlet angle of the cold air duct, please hold the elbow for adjustment. Do not directly hold the cold air duct for adjustment.



## CONDENSATE TANK

### Emptying the condensate tank:

1. Shut off the air conditioner by pressing the power switch to the “O” position.
2. Locate the condensate tank.
3. Remove the condensate tank and empty the contents.
4. Re-install the condensate tank after emptying, making sure it is properly aligned.
5. Power on the unit. There is a 3-minute delay for the compressor to start. Normal operation will resume after time delay has ended.
6. Empty the condensate tank before moving the air conditioner to avoid any spills.

**ATTENTION:** The compressor has a 3-minute safety delay function. After emptying the tank, there will be a 3-minute delay where only the fan will operate. After the 3-minutes have expired, the compressor will activate and normal operation will resume.

- If the unit has not been operated for a long time, check the condensate tank before operating:
- Remove the condensate tank from the air conditioner and confirm the float device inside the tank is intact. If no issues are found with the float device, re-install the condensate tank into the air conditioner, making sure everything is aligned.
- Improper installation of the condensate tank may trigger the condensate alarm, unit malfunction, or condensate leakage.



# USAGE REQUIREMENTS

## SPECIAL USER REMINDERS:

---

- When using the air conditioner, the air inlet and cold air duct should be away from walls and other obstacles by at least 12in.
- The hot air outlet should be at least 32in away from any walls or obstacles.
- The air conditioner should be placed on a flat and level surface. Operating the unit on slopes or uneven surfaces may cause safety hazards and condensate leakage.
- Do not operate this machine in wet or damp places.
- Do not place obstacles in the front of the air inlet, cold air duct and hot air exhaust.

## MAINTENANCE & CARE GUIDE

---

Periodically clean the screen filter on this unit. Dust and debris buildup will not allow proper airflow and may cause frosting and malfunction of the heat exchanger.

## FILTER CLEANING:

---

1. Shut off the air conditioner.
2. Use a vacuum to remove any dust and dirt accumulated on the filter screen.
3. Use clean water to rinse off the remaining particles on the filter screen.
4. Once dry, re-install the filter screen into the air conditioner.

### ATTENTION:

- Unplug the power cord from the machine when conducting maintenance or checks.
- When cleaning the exterior of the machine, do not use chemical agents or other cleaning solutions that may damage the surfaces.
- Check if the power cord is damaged or broken. If so, replace it immediately.
- Check if any screws are loose. If so, tighten the screws.
- Before long-term storage, check condensate tank and empty any remaining condensate.
- The air conditioner must be stored upright.
- Do not lay the machine horizontally or upside down.
- Avoid storing the machine in locations with high temperature, rain, or direct sunlight.

## CORRECT DISPOSAL OF THIS PRODUCT

---

This marking on the product, accessories or literature indicates that the product and its electronic accessories should not be disposed of with other household waste at the end of their working life. To prevent possible harm to the environment or human health from uncontrolled waste disposal, please separate these items from other types of waste and recycle them responsibly to promote the sustainable reuse of material resources.



# TROUBLESHOOTING

**ATTENTION:** If the air conditioner malfunctions or stops operating, shut off the machine immediately and disconnect it from the wall outlet.

## CHECK THE FOLLOWING ITEMS FOR TROUBLESHOOTING:

Problem	Reason	Troubleshooting
Unit is not Operating	The power cord is loose or unplugged	Securely plug the unit into the wall outlet. Ensure there is sufficient power at the wall outlet.
	Fuse is burnt	Have a professional or certified technician replace the fuse.
Unit is not cooling	Dirty heat exchanger	Clean the heat exchanger surface to allow for proper airflow.
	Hot exhaust fan failure	Repair or replace hot exhaust fan or blower.
	Ambient temperature is too high	Do not operate the unit in areas with excessively high ambient temperatures.
	Compressor capacitor is damaged	Replace compressor capacitor.
	Blocked refrigerant tubing	Replace blocked refrigerant tubing.
	Overly high or low input voltage	Use correct voltage.
	Compressor overload protection triggered	Unit will restart after the compressor has sufficiently cooled.
	Compressor motor failure	Repair or replace compressor.
Condensate Leakage	Drainpipe opening is clogged	Clean out any residue or debris in the drain pipe.
	Condensate tank position is not installed properly	Remove the condensate tank and re-install properly.
	Filter screen has dust and filth	Remove filter and clean.
	Condensate float switch is stuck	Shut off the unit and empty condensate tank before use.
	Condensate tank is full	Gently shake the tank to dislodge the float switch.
	Damaged condensate tank	Repair or replace the condensate tank.





4560 West 160th Street  
Cleveland, OH 44135

833-950-1185 | [support@visionairproducts.com](mailto:support@visionairproducts.com) | [www.visionairproducts.com](http://www.visionairproducts.com)