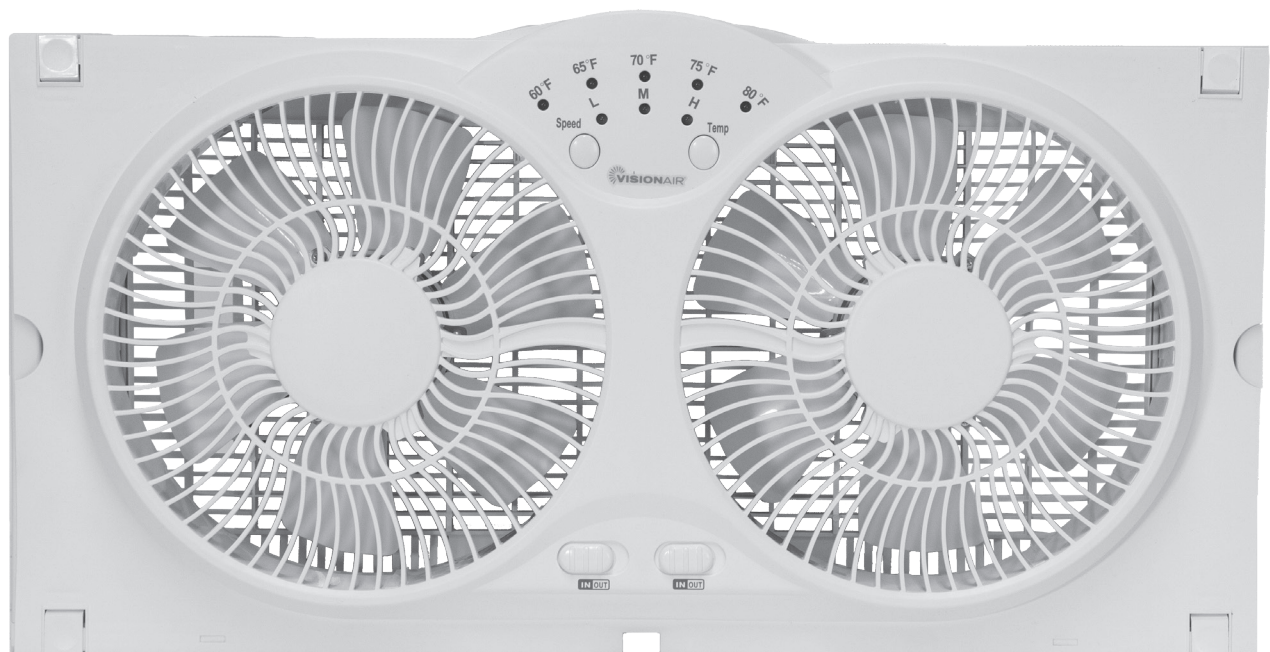




## OWNER'S MANUAL

# 9" REVERSIBLE TWIN WINDOW FAN

WITH THERMOSTAT



MODEL 1VAFW9

# CONTENTS

RULES FOR SAFE OPERATION .....	3
PARTS.....	4
PREPARATION .....	5
INSTALLATION .....	5
INSTRUCTIONS .....	6
CLEANING .....	6
MAINTENANCE .....	6
FUSE REPLACEMENT.....	7
TROUBLESHOOTING.....	7

## PRODUCT SPECIFICATIONS

---

Model: 1VAFW9  
Rated Voltage: 120V~  
Frequency: 60Hz  
Current: 0.54A

# SAFETY INFORMATION

**⚠ CAUTION** Read carefully before attempting to assemble, install, operate, or maintain the product described. Protect yourself and others by observing all safety information. Failure to comply with instructions could result in personal injury and/or property damage! Retain instructions for future reference.

## **⚠ WARNING**

- To reduce the risk of fire or electric shock, do not use this fan with any solid state speed control device.
- This appliance has a polarized plug(one blade is wider than the other). To reduce the risk of electric shock, this plug is intended to fit fully in the outlet only one way. If plug does not fit fully in the outlet, reverse plug. If it is still does not fit, contact a qualified electrician. Do not attempt to defect this safety feature.
- Do not leave fan running unattended.
- Fan is rated for use as a window fan. Recommend removing from window (unplugged) when raining.
- Close supervision is necessary when any appliance is used by or near children.
- Never insert fingers, pencils, or other foreign objects through the grill.
- Disconnect fan when removing grills for cleaning. Reinstall before plugging into power supply.
- To protect against electrical shock, never immerse fan, cord of plug in water. Avoid using volatile cleaners.
- Avoid contact with moving parts.
- Do not operate in presence of volatile or explosive fumes.
- Do not place fan or any parts near an open flame, cooking or other heating device.
- Do not pull cord to disconnect, grip plug instead.
- Do not hang or mount fan on a wall or ceiling.
- Disconnect fan when moving from one location to another.
- Be sure fan is on a stable surface when operating to avoid turning over.

- Do not use outdoors.
- Never operate fan with damaged electrical cord, plug, or when the fan malfunctions. Avoid use of extension cords.
- To avoid fire hazard, never place the cord under rugs or any part of an open flame, cooking, or heating appliance.
- This product is intended for household use only and not for commercial or industrial applications.
- Automatically Operated Device - To Reduce The Risk Of Injury Disconnect From Power Supply Before Servicing.

## **READ & SAVE THESE INSTRUCTIONS!**

### **RULES FOR SAFE OPERATION**

---

When using electrical appliances, basic precautions should always be followed to reduce the risk of fire, electric shock and injury to persons, including the following:

- The rules about cord and plug as below:
  1. This product employs overload protection (fuse). A blown fuse indicates an overload or short-circuit situation. If the fuse blows, unplug the product from the outlet. Replace the fuse as per the user servicing instructions (follow product marking for proper fuse rating) and check the products. If the replacement fuse blows, a short-circuit may be present and the product should be discarded or returned to an authorized service facility for examination and/or repair.
  2. Do not operate any fan with a damaged cord or plug. Discard fan or return to an authorized service facility for examination and/or repair.
  3. Do not run cord under carpeting. Do not cover cord with throw rugs, runners, or similar coverings. Do not route cord under furniture or appliances. Arrange cord away from traffic area and where it will not be tripped over.

# SAFETY INFORMATION & PARTS

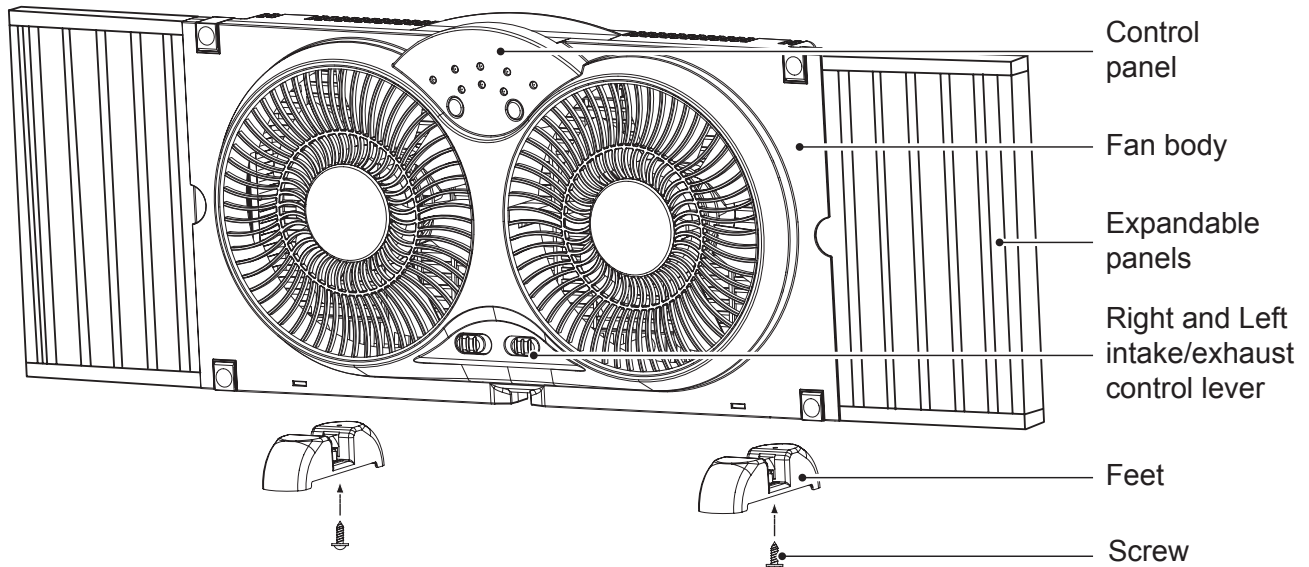
(Continued)

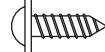
- Never insert fingers, pencils, or any other object through the grille when fan is running.
- Disconnect fan when moving from one location to another, before putting on or taking off parts.
- Disconnect fan when removing grilles for cleaning.
- Do not operate in the presence of explosive and/or flammable fumes.
- Do not place fan or any parts near an open flame, cooking or other heating appliance.
- Always use on a dry, level surface, do not use outdoors.
- Do not let the cord hang over the edge of a table, counter, or come in contact with hot surfaces.
- To disconnect grip plug and pull from wall outlet. Never yank on cord.

**DO NOT** operate any fan with a damaged cord or plug or after fan malfunctions, has been dropped or damaged in any manner. Do not operate fan with a broken blade, safety cage or any visual imperfections. Disconnect power before servicing. For repairs covered under warranty, see warranty statement. For all other repairs contact VisionAir Customer Service by telephone or mail for information and assistance.

**DO NOT** run power cord under carpeting. Do not cover cord with throw rugs, runners or the like. Arrange cord away from traffic area where it will not be tripped over. Avoid the use of extension cords due to risk of fire. If an extension cord must be used, the cord must be minimum 14 AWG and rated not less than 1875 watts. Do not use an extension cord unless the plug can be completely inserted into its receptacle. Unplug the fan when not in use. Do not operate fan with its ventilation obstructed.

## PARTS



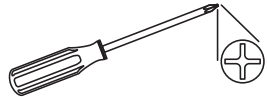
PART	DESCRIPTION	QUANTITY	IMAGE
AA	ST2 9x13 Screw	2	

# INSTALLATION

## PREPARATION

Before beginning assembly of product, make sure all parts are present. Compare parts with package contents list and diagram above. If any part is missing or damaged, do not attempt to assemble the product. Contact customer service for replacement parts.

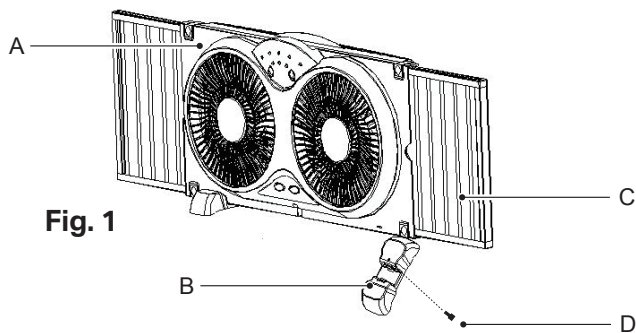
Estimated Assembly Time:  
5 minutes



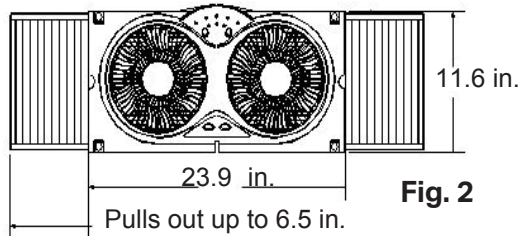
Tools Required for Assembly:  
Phillips Screwdriver (NOT INCLUDED)

## INSTALLATION

- Push the feet (B) into the fan body (A) and snap together. (Fig. 1). Fasten the two screws (D) from the bottom of the feet.



- This window fan has been designed to fit double-hung, slider and casement windows with minimum openings of 24.4 in. wide and 11.6 in. high. (Fig. 2)

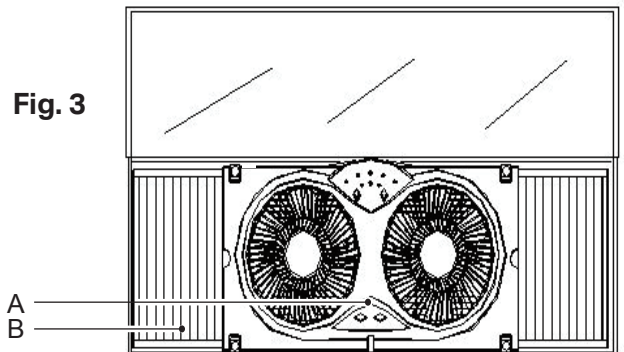


- This fan is designed and recommended for use with your window screen in place.

### FOR DOUBLE-HUNG TYPE WINDOWS (FIG.3)

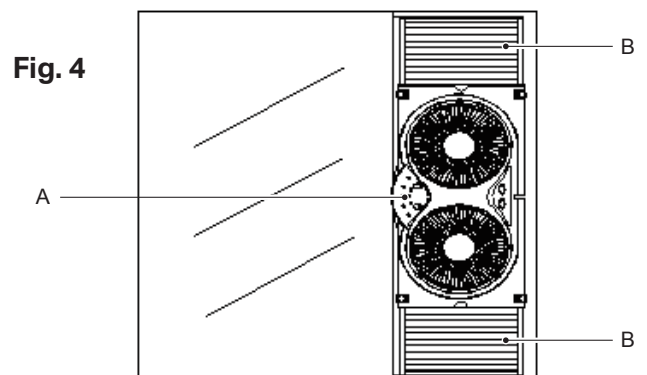
1. With the window fully open, set the fan in the window with front (A) of fan facing the INSIDE.
2. Hold fan with one hand while adjusting panels (B) with the other. Before closing window, pull open locks (C) located at top and bottom on right/left side on fan, and adjust expandable panel, if necessary.

3. Close the window on top of the fan with the bottom edge of the window behind the lip of fan housing.
4. If the fan still does not fit properly in the window, readjust the expandable panel (B) on right/left side of fan to fill in remaining space between panel and window frame until a secure fit is made.



### FOR VERTICAL SLIDER-TYPE WINDOWS (FIG.4)

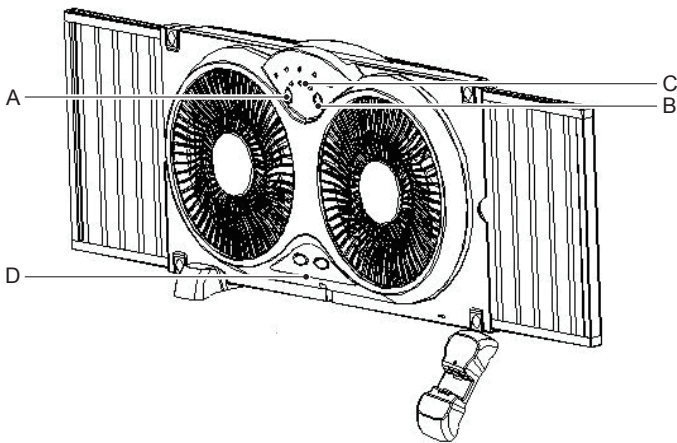
1. Position the fan in the window with the power switch (A) facing the center of the opening.
2. To adjust height, remove fan from window, extend the expandable panel (B) until it matches the height of the window.
3. With the window fully open, position the fan in the window with power switch facing the center of the opening.
4. Fan must fit securely against the inside edge of the window opening.
5. Slide the sliding window to meet the edge of the fan. The side edge of the window must fit securely behind the lip of fan housing.
6. Adjust the expandable panel (B) to fill in remaining space between fan and window frame. Expandable panel (B) locks into position once you establish a fit.



# INSTRUCTIONS, CLEANING & MAINTENANCE

## INSTRUCTIONS

- Plug the cord into any standard 120-volt A/C outlet.
- To turn the fan on, press the SPEED button (A) on the panel. Fan will start at low speed.
- Adjust speed to low, medium or high by pressing SPEED button. A light will turn on for each speed selected (C). Stop the fan by pressing the SPEED button successively.
- To start and stop the temperature settings, press the TEMP button (B) to cycle through the temperature setting. Minimum setting is 60° F; maximum setting is 80° F. The fan will operate only if the temperature you have set is less than room temperature. A light will turn on indicating the selected temperature (C).
- Set the individual fan motors on either IN (intake) or OUT (exhaust) using the control lever (D).



## CLEANING

### ⚠ CAUTION

- Be sure to unplug the power cord from the outlet before cleaning.
- Plastic parts should be cleaned with mild soap and damp cloth or sponge. Thoroughly remove soap film with clean water.
- Be sure not to get water or other liquid inside of the motor.
- Dry all parts completely before reassembling and reconnecting to power source.

## MAINTENANCE

The fan requires little maintenance. Do not try to fix it by yourself. Refer it to qualified service personnel if service is needed.

- Before cleaning and assembling, do not plug the pins into the socket.
- To ensure adequate air circulation to the motor. Keep vents at the rear of the motor housing free from dust, fluff and etc. A vacuum cleaner should not be used to clean these vents before unplugging. Do not disassemble the fan to remove fluff.
- Please wipe the exterior parts with a soft cloth and a mild detergent. Do not use any abrasive detergents or solvents to avoid scratching the surface. Do not use the following as a cleaner: gasoline, thinner, bending.
- Do not allow water or any other liquid into the motor housing or interior parts.

# TROUBLESHOOTING

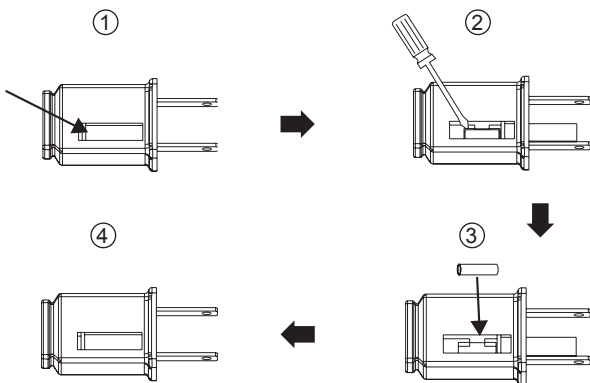
**NOTE:** Some models come with a plug where you can replace a fuse. If your model has this, please read and follow the below instructions to replace the fuse.

This product employs overload protection (fuse). A blown fuse indicates an overload or short-circuit situation. If the fuse blows, unplug the product from the outlet. Replace the fuse as per the user servicing instructions (follow product marking for proper fuse rating) and check the product. If the replacement fuse blows, a short-circuit may be present and the product should be discarded or returned to an authorized service facility for examination and/or repair.

## FUSE REPLACEMENT

1. Grasp plug and remove from the receptacle or other outlet device. Do not unplug by pulling on cord. **See Fig. 1**
2. Open fuse cover by sliding open fuse access cover on top of attachment plug towards blades. **See Fig. 2**
3. Remove fuse carefully. Use a small tool to pry the end of the fuse from holder cavity. Be careful not to break glass window. **See Fig. 3**
4. Replace fuse.
 

**⚠ WARNING** Risk of fire.  
Replace fuse only with identical 2.5 or 5.0 Amp, 125 Volt fuse (3.6mm x 10mm). Be sure fuse is properly seated within its cavity.
5. Close fuse cover by sliding it back to its original closed position. **See Fig. 1**



## TROUBLESHOOTING

Operation of your appliance can lead to errors and malfunctions. The following tables contain possible causes and notes for resolving an error message or malfunction. It is recommended to read the table below carefully in order to save your time and money that may cost for calling to the service center.

PROBLEM	CAUSE	SOLUTION
The fan will not operate.	The fan isn't plugged in and/or the electrical outlet isn't working properly.	Make sure the fan is plugged in and/or the electrical outlet is working properly.
The fan will not operate.	Obstructions are keeping the fan from working.	Check for obstructions. If you find an obstruction, turn the fan off. Unplug the fan and carefully remove the obstruction. Plug the fan in and turn it on again by referring to the operating instructions.

## CONSUMER PRODUCT INFORMATION

---

For your own records, please attach a copy of your sales receipt to this manual.  
Also, write the store name/location and date purchased below:

**Store Name:** \_\_\_\_\_

**Location:** \_\_\_\_\_

**Date Purchased:** \_\_\_\_\_

**NOTE:** Proof of purchase is required for all warranty claims.

**NOTE:** As a result of continual improvements, the design and specifications of the product within may differ slightly to the unit illustrated on the packaging.



4560 W. 160th Street  
Cleveland, OH 44135

833-950-1185 | [support@visionairproducts.com](mailto:support@visionairproducts.com)

[www.visionairproducts.com](http://www.visionairproducts.com)