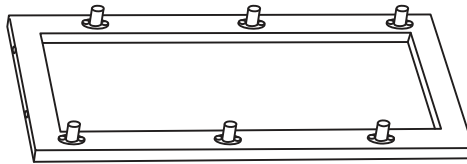
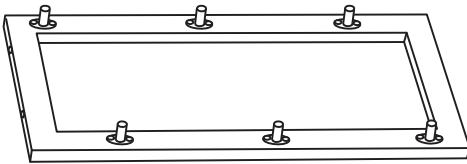


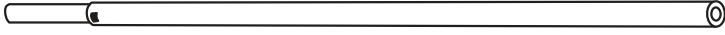
# 6026-2516 Wood & Chrome Shoe Rack



Part	Reference
A	F11729
B	F11730
C	F11731
D	F11732

**A** 1 ea  
Side Frame with Narrow Connectors

**B** 1 ea  
Side Frame with Wide Connectors

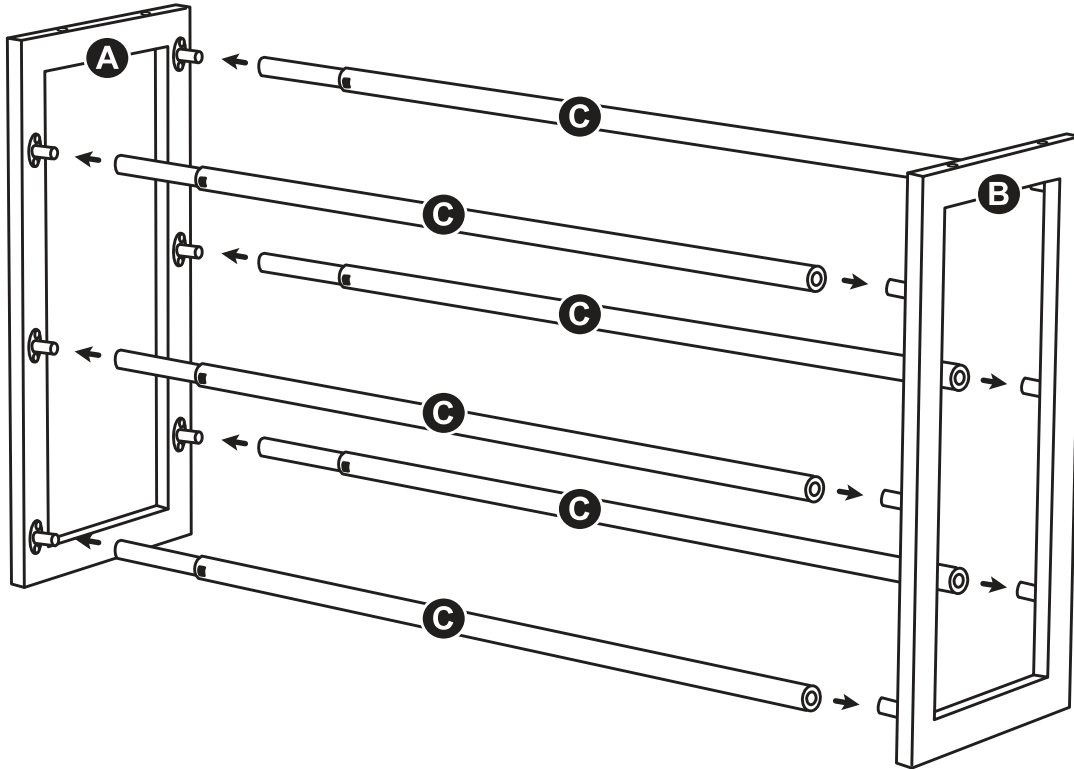


**C** 6 ea  
Expandable Tubes



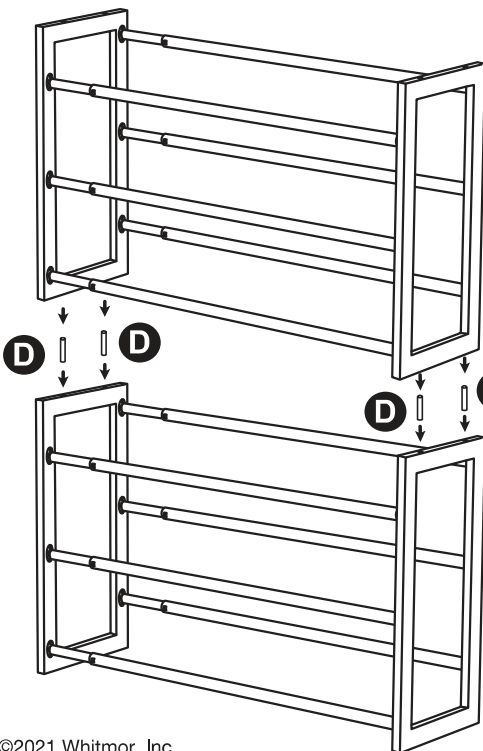
**D** 4 ea  
Pegs

**No tools required.**



**NOTE:** To stack two units use the supplied four pegs (D). Insert pegs into the top holes in the bottom rack, and the bottom holes in the top rack.

**WALL MOUNTING:**  
If height exceeds 36 inches, use an anti-tip kit (not included) to avoid tipping.



8680 Swinnea Road • Suite 103 • Southaven, MS • 38671

**NEED HELP?** For help with assembly, or if you are missing a part, please call Whitmor's Consumer Care Team, 1-888-944-8667 between 8 a.m. and 4:30 p.m. (Central Standard Time) Monday through Friday. Or email: [help@whitmor.com](mailto:help@whitmor.com). Visit us online at [www.whitmor.com](http://www.whitmor.com)