



PROFEN™

LED POST TOP LIGHT



Beyond LED Technology's Newest "PROFEN" Post top Light is the newest and the most unique product of 2023. Our Post Top light it is a type of outdoor lighting fixture designed to be mounted on top of a post or pole. These lights are commonly used in various outdoor settings, including streets, parking lots, pathways, parks, gardens and commercial properties, to provide illumination while also adding aesthetic appeal to the surroundings. Our LED post top lights have become popular due to their energy efficiency, long lifespan and versatility.

Product Features

- Up to 135 Lumens per watt
- Wattage Adjustable 80W / 100W / 150W
- CCT Adjustable 3000K / 4000K / 5000K
- Built-In 12V - Auxiliary port
- Optional screw & Photocell
- Plug & Play Motion Sensor (optional)
- Fits 60 MM round pole
- Die-cast aluminum housing
- IP65 Rated
- Input Voltage 120-277Vac
- UL & DLC Listed
- 5 Year warranty

PROFEN™

LED POST TOP LIGHT



SKU #	Model #	Wattage Adjustable	Lumens	CCT Adjustable	Housing	Input Voltage	Certifications
156721	PT01-150L-CSP-3CCT	80W/100W/150W	20250Lm	3K/4K/5K	Bronze	120-277V	UL & DLC

SKU: 156721

Specifications

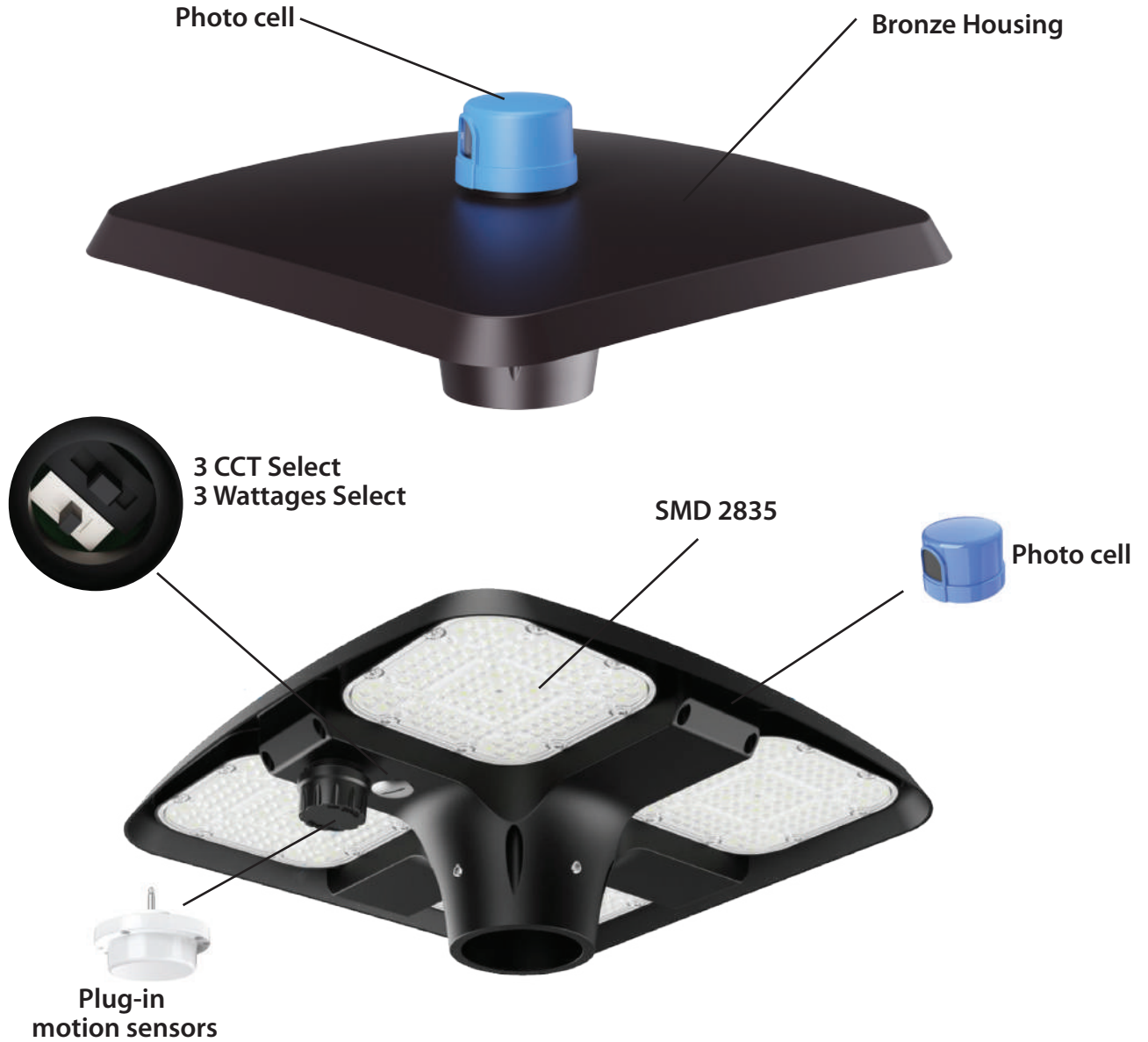
Parameter	Description	
General Performance	Model #	PT01-150L-CSP-3CCT
	Wattage Adjustable	80W / 100W / 150W
	Lumens	20250Lm
	Lumen Efficacy	Up to 135LM/W
	Color Temperature	3000K/4000K/5000K
	CRI (Ra)	>70
	Diffuser Type	PC Lens
Electrical	Beam Angle	Type V short
	Input Voltage	120-277Vac
	Frequency	50/60Hz
	Dimming	0-10V
	Power Factor	≥0.90
	Flicker Percent	Flicker is not controlled
	THD	<20%
	Driver Model	ZH-WP Series
	Driver Surge Protection	LN-PG5KV, L-N 4KV
Physical	Operating Temperature	-30°C to +45°C
	Operating Humidity	10%RH - 90%RH
	Storage Temperature	-40°C to +85°C
	Storage Humidity	5%RH - 95%RH
	LED Brand	Lumileds
	LED Type	SMD2835
	LED Qty.	480 PCS
Housing	Die-cast aluminum	
Qualification	Housing Color	Bronze
	IP Rating	IP65
	Warranty	5 Year



PROFEN™

LED POST TOP LIGHT

Product Appearance



Accessories



Photocell
(dusk to dawn)



Plug-in motion sensor
(zhaga)



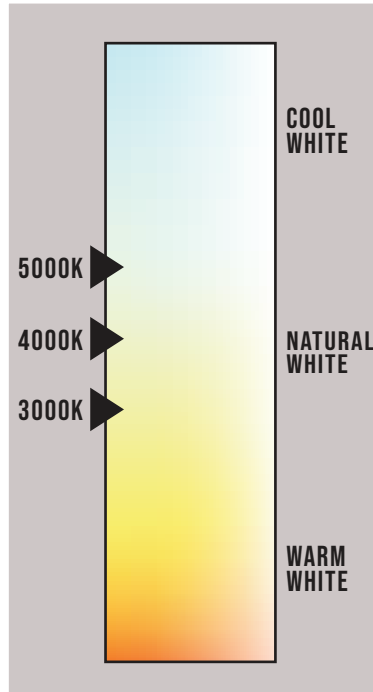
Plug-in motion sensor

PROFEN™

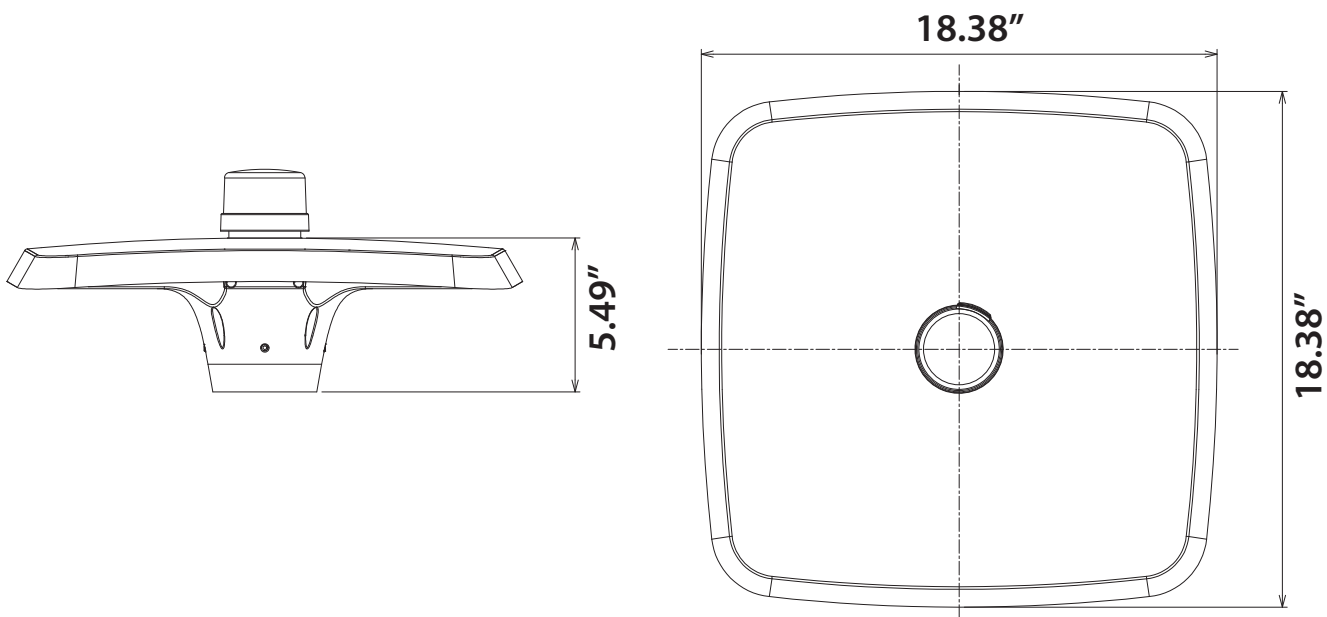
LED POST TOP LIGHT



Correlated Color Temperature (CCT)



Product Dimension

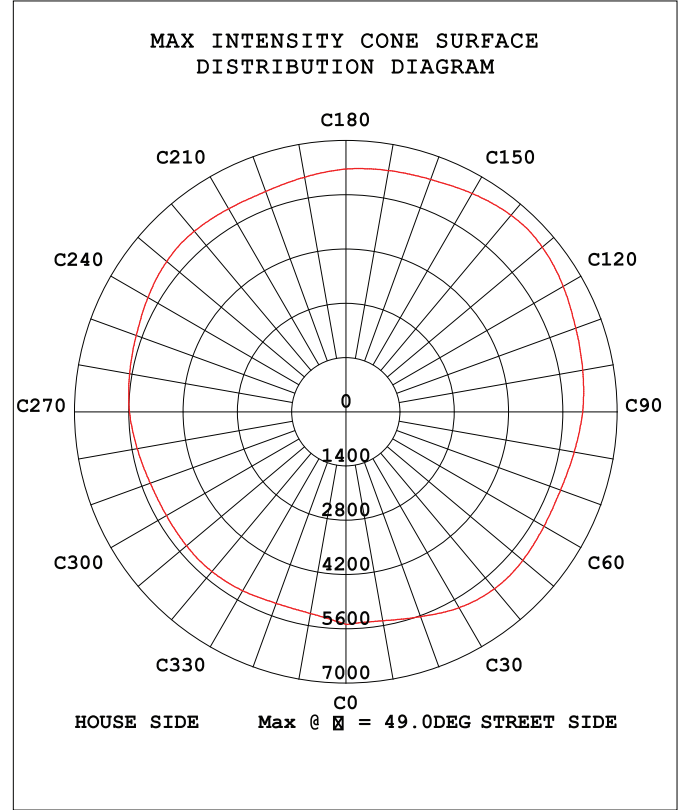
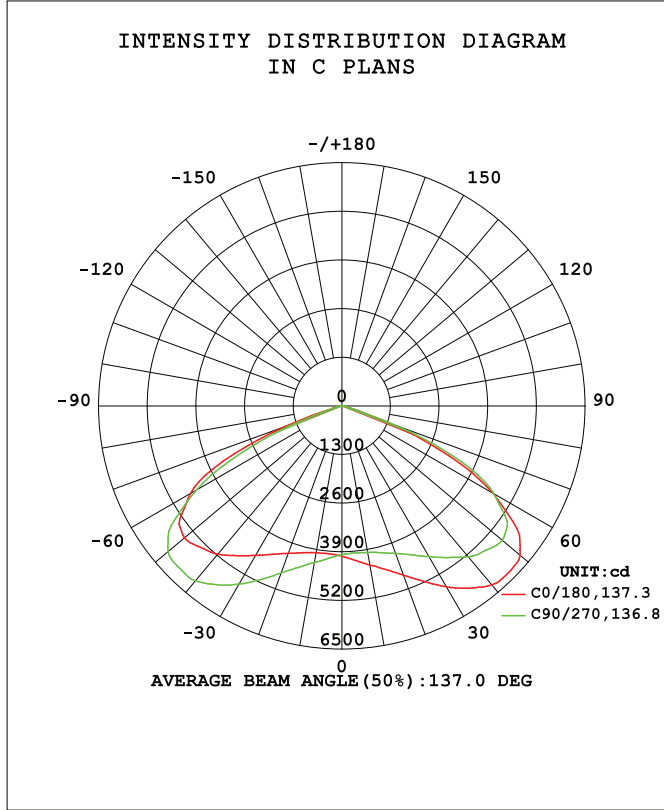




PROFEN™

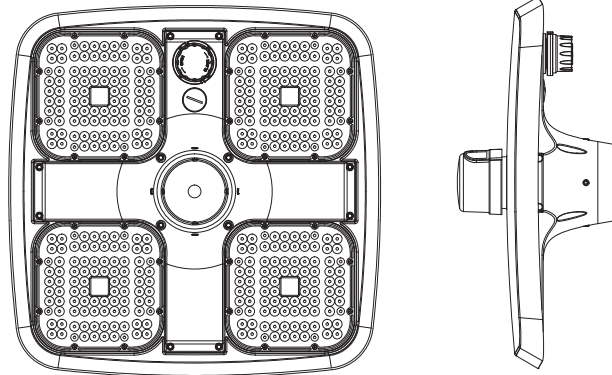
LED POST TOP LIGHT

Photometric Data



C Range: 0 - 360DEG
 C Interval: 22.5DEG
 Test Speed: HIGH
 Temperature: 25.3°C
 Operators: DAMIN
 Test Date: 2023-03-15

□ Range: 0 - 90DEG
 □ Interval: 1.0DEG
 Test System: EVERFINE GO-2000A_V1 SYSTEM V2.00.461
 Humidity: 65.0%
 Test Distance: 9.680m [K=1.0000]
 Remarks:





Installation

SAFETY INSTRUCTIONS:

Please read all the instructions before attempting installation

- READ CAREFULLY BEFORE INSTALLING FIXTURE. RETAIN THESE INSTRUCTIONS FOR FUTURE REFERENCE.
- The lighting fixture must be wired in accordance with the National Electrical Code and all applicable local codes. Proper grounding is required for safety. THIS PRODUCT MUST BE INSTALLED IN ACCORDANCE WITH
- THE APPLICABLE INSTALLATION CODE BY A PERSON FAMILIAR WITH THE CONSTRUCTION AND OPERATION OF THE PRODUCT AND THE HAZARDS INVOLVED.
- WARNING: Make certain power is OFF before installing or maintaining fixture. No user serviceable parts inside.
- WARNING: Must be installed on a level surface, above grade.

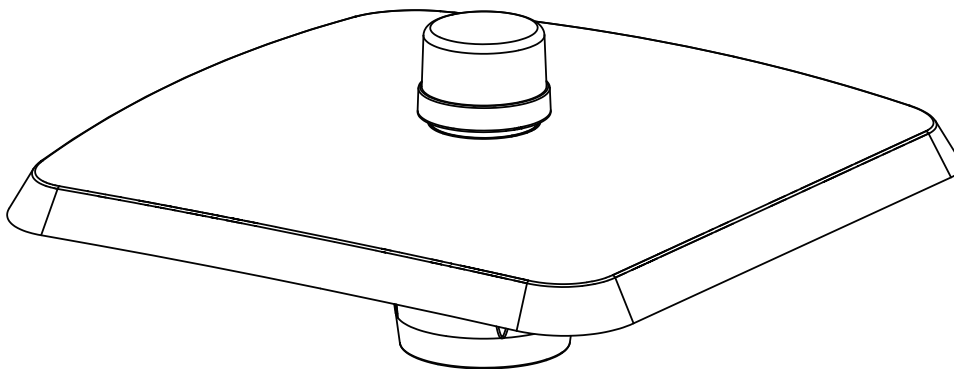
WARNING:

Risk of fire, electric shock, injury or property damage

Risk of electric shock-Disconnect power to equipment before installing or servicing. This equipment must be installed according to all applicable codes & ordinances. Installation and service of this equipment must be performed by qualified service personnel.

Do not install damaged equipment.

Read these instructions before installing, servicing or maintaining this equipment Save these instructions for maintaining and servicing.





PROFEN™

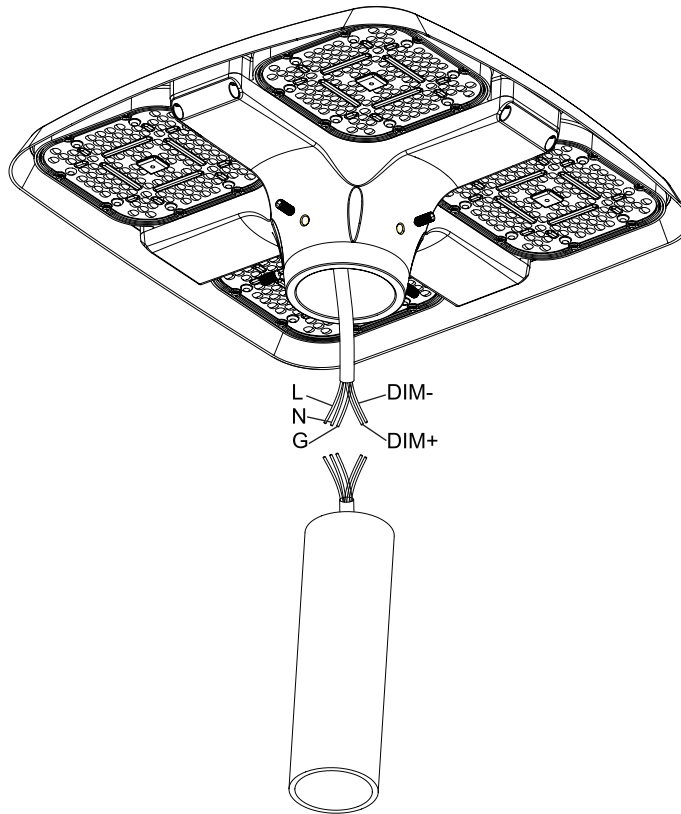
LED POST TOP LIGHT

Installation

INSTALLATION INSTRUCTIONS:

WARNING: TURN OFF POWER BEFORE CONNECTING WIRES.

1. Verify the luminaire optic type agrees with site lighting plan for the specific pole location.
2. Place luminaire on pole tenon.
3. Fasten luminaire to pole per the figure below making sure the luminaire is level. Tighten Set Screws.
4. Make wiring connections through the Wire Cover access. Re-attach Wire Cover.



ON-OFF WIRING

Universal voltage driver permits operation at 120V thru 277V/347V, 50 or 60 Hz.
For 0-10V Dimming, follow the wiring directions.

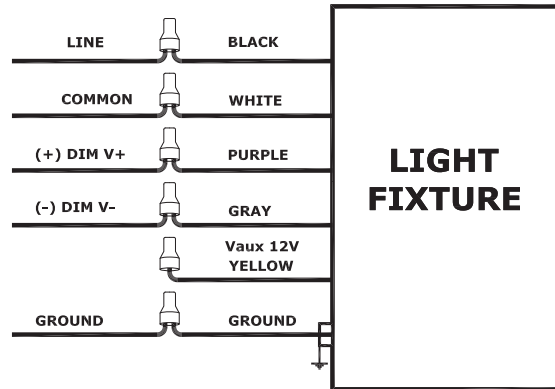
1. Connect the black fixture lead to the LINE supply lead.
2. Connect the white fixture lead to the COMMON supply lead.
3. Connect the GROUND wire from fixture to supply ground. Do NOT connect the GROUND of the dimming fixture to the output.
4. Connect the purple fixture lead to the (V+) DIM lead.
5. Connect the pink fixture lead to the (V-) DIM lead.
6. Cap the red fixture lead, if present. Do NOT connect.

PROFEN™

LED POST TOP LIGHT

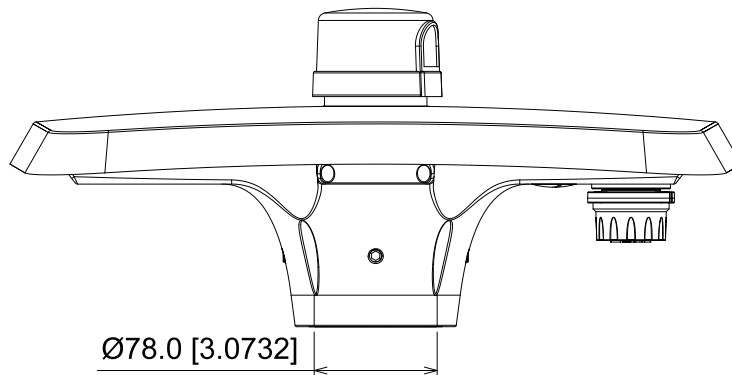


Installation



Led Post Top Installation

Drawing not to scale. Use the actual mounting plate as your template.



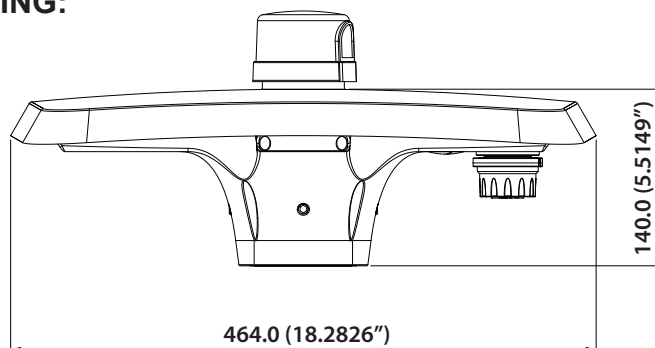
WARRANTY:

5-YEAR WARRANTY.

If this product fail to perform satisfactorily due to defect or poor workmanship with in five years from the date of purchase, return it to the place of purchase and it will be replaced, free of charge.

Incidental or consequential damages are excluded from the warranty.

DIMENSIONAL DRAWING:





PROFEN™

LED POST TOP LIGHT

Installation

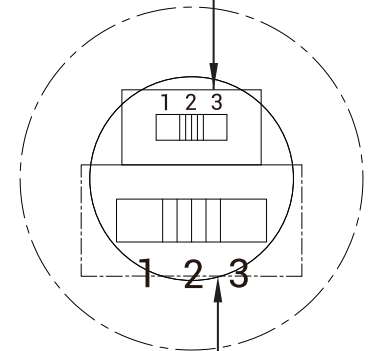
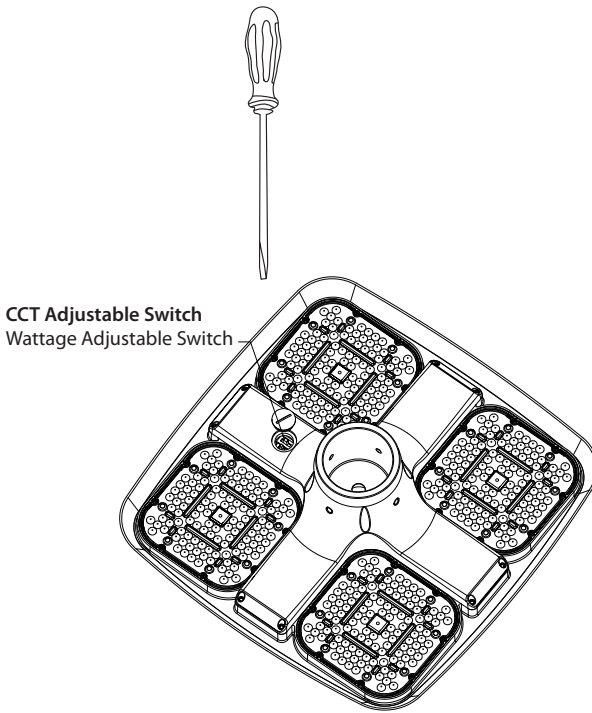
CCT & WATTAGE ADJUSTABLE SWITCH SETTING INSTRUCTION

IMPORTANT SAFEGUARDS

When using electrical equipment, basic safety precautions should always be followed including the following:

80 -150W Wattage Adjustable Switch

1	2	3
50%	75%	100%



CCT Adjustable Switch

1	2	3
3000K	4000K	5000K

Introduction:

CCT Adjustable switch is a manually Adjustable switch for adjusting the color temperature, which have 3 Adjustable models (3000K, 4000K, 5000K). We mold CCT Adjustable switch independently and well-design to help users to adjust the color temperature they want.

Note: Sold separately, Factory default setting: 5000K / 5700K.

Wattage Adjustable switch is a manually Adjustable switch for adjusting the power (wattage) based on people's needs on daily life. It with 3 kinds of wattage from 0-100% which can be customized. we mold the switch independently and well-design to saving energy and green life with adjusting appropriate power. It is convenient for lowering inventory risk.

Note: Sold separately, Factory default setting: 100%.

PROFEN™

LED POST TOP LIGHT



Installation

Instruction:

1. Loosen the M25 waterproof cap with a screw.
2. Turn the "Adjustable button" to get required Wattage or CCT.
3. Retighten the M25 waterproof cap back on the lamp.

A Table Showing CCT & Wattage Adjustable Switch Setting Instruction As Below:

CCT & Wattage Adjustable Switch Setting Instruction		
Item	Wattage	Color Temperature
PT01	80W	3000K, 4000K, 5000K
	100W	3000K, 4000K, 5000K
	120W	3000K, 4000K, 5000K
	150W	3000K, 4000K, 5000K

Wattage Adjustable Switch Setting Instruction
* Power Adjustable can be any 3 kinds of wattage from 0-100% which can be customized.
* Values are based on the highest performance package for each fixture size.
* Lumen values vary by optic type.

Packaging

SKU	Box Dimensions	Qty / Box	Net Weight	Gross Weight
156721	21.26 x 21.26 x 7.28	1 Pc/Box	11.46 LBS	16.31 LBS



PROFEN™

LED POST TOP LIGHT

Application



Warranty

5 Year Warranty