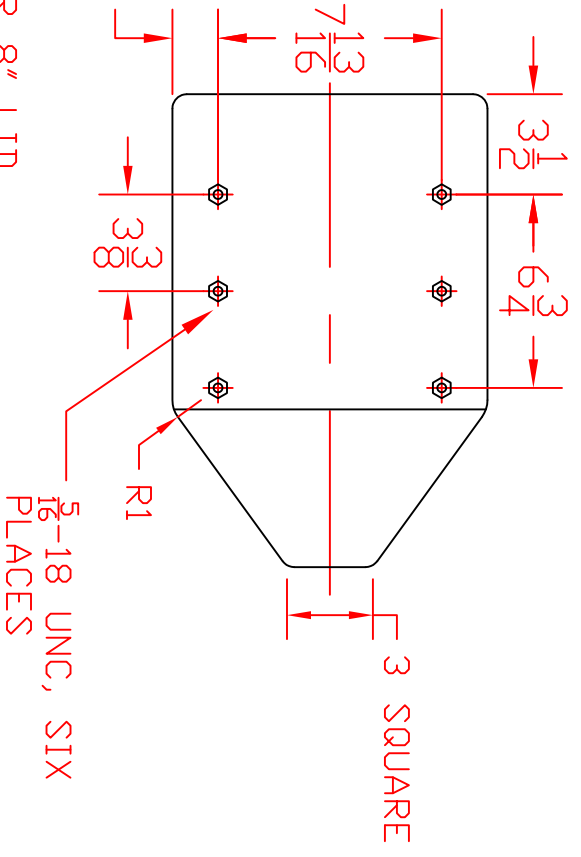
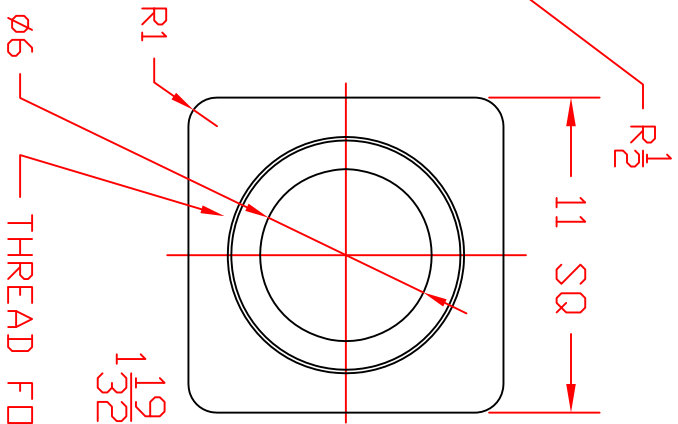
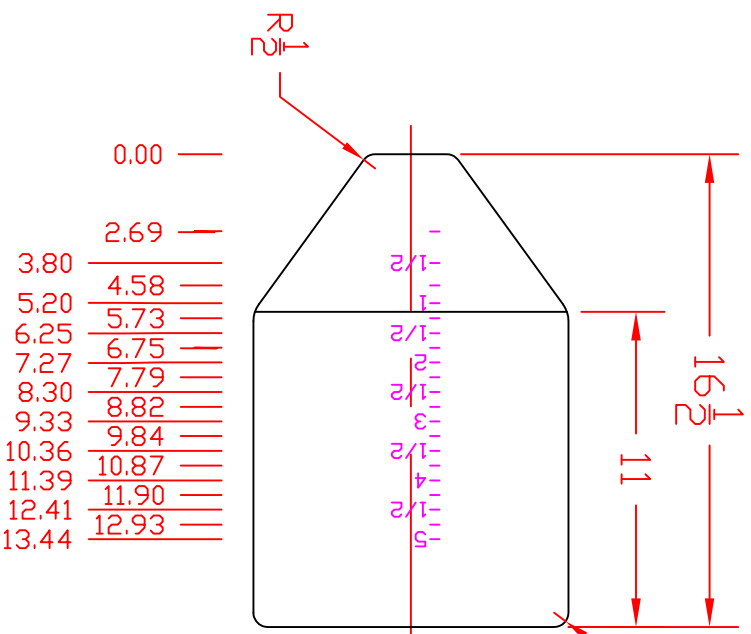


REVISIONS				
ZONE	REV	DESCRIPTION	DATE	APPROVED



**NORWESCO**  
 ST. BONIFACIUS, MN  
 FIVE GALLON SQUARE  
 TOTAL DRAIN TANK

JTP	18FEB05	SCALE 1/8	SHEET
SIZE	FSCM NO.	DWG NO.	REV
A			