


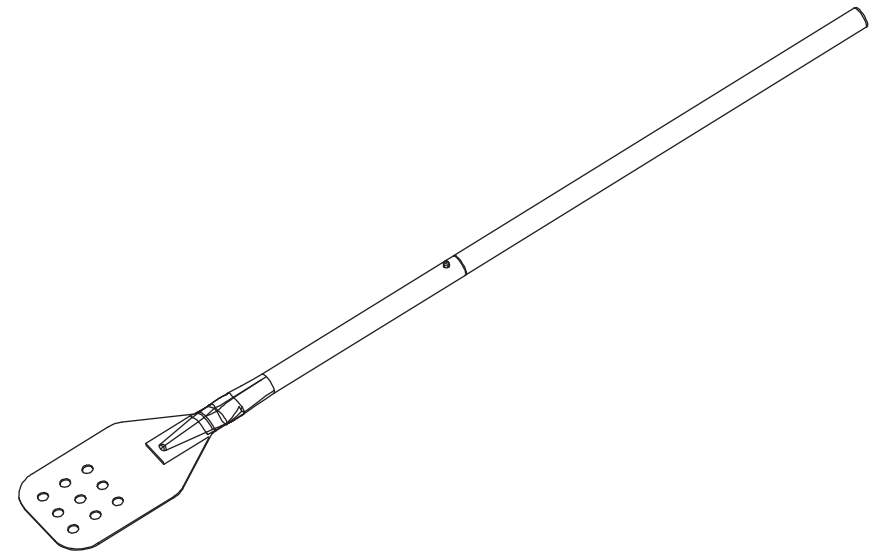
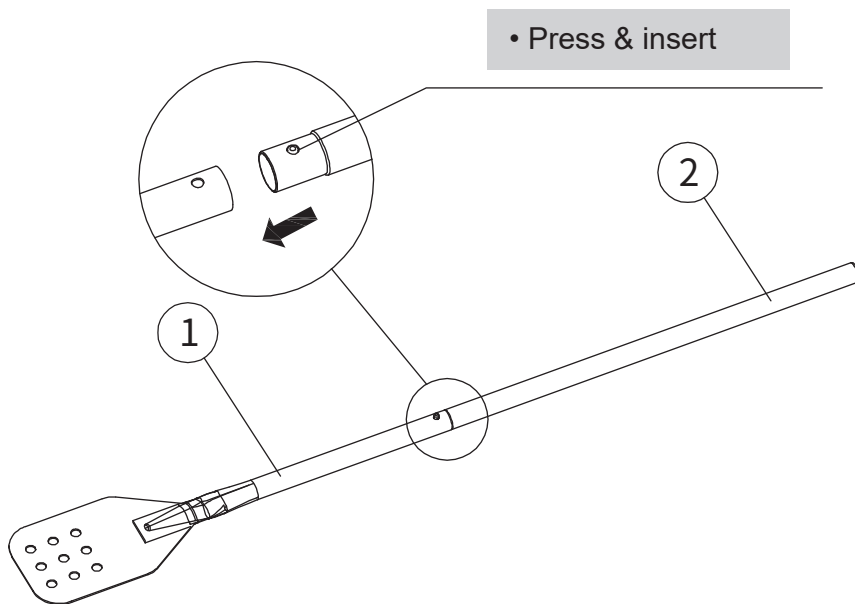
CreoleFeast

 Customer Service
1-800-618-6798

PDS4405

Serial No.: 0115P-2

44-Inch Stainless Steel Mesh Paddle Assemble Instructions



Learn more at:

www.creolefeast.com

⚠ IMPORTANT SAFETY INSTRUCTIONS

⚠ CAUTION ⚠

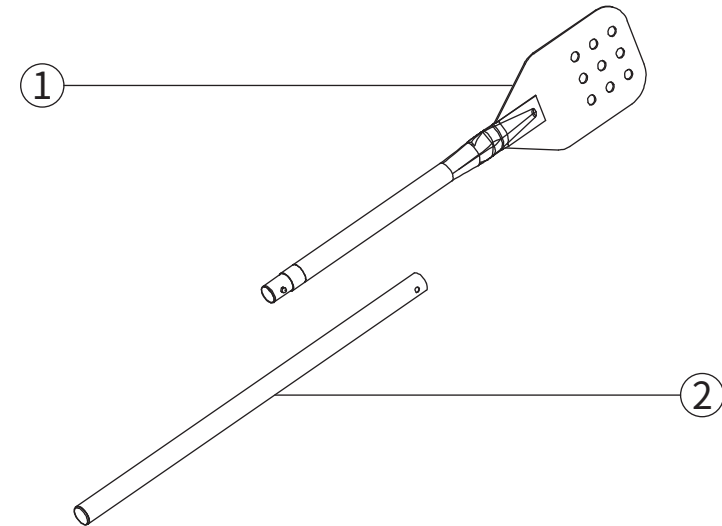
1. Read all instructions before assembly and use.
2. This product is NOT intended for commercial use.
3. Children should never use the product. Keep children and pets away when in use.
4. DO NOT use the product unless it is completely assembled, and all parts are securely fastened and tightened.
5. DO NOT alter the appliance in any manner.
6. This product will be HOT during and after use. Heated liquid remains at scalding hot temperature long after the cooking process. Use insulated oven mitts or gloves for protection from hot surfaces or splatter from cooking liquids.

⚠ CALIFORNIA PROPOSITION 65 WARNINGS

This product contains Nickel (Metallic) known to the State of California to cause cancer.

For more information, go to: www.P65Warnings.ca.gov

Before assembling your paddle, kindly please check if it has as follows spare parts.



No.	#	Part Name	QTY
1	08-JJG-09	Paddle	1
2	08-JJG-09	Handle	1

Before beginning assembly, make sure all parts are present. If any parts are missing or damaged, do not attempt to assemble the product. Contact customer service for replacement parts via telephone or email.