

ASSEMBLY INSTRUCTIONS

FELIX STOOL



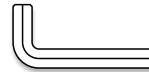
INCLUDED HARDWARE



4x Seat Bolts

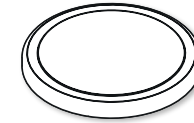


4x Foot Ring Bolts

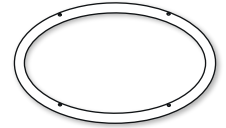


Allen Wrench

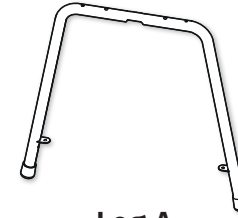
PARTS



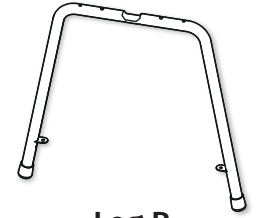
Seat



Foot Ring



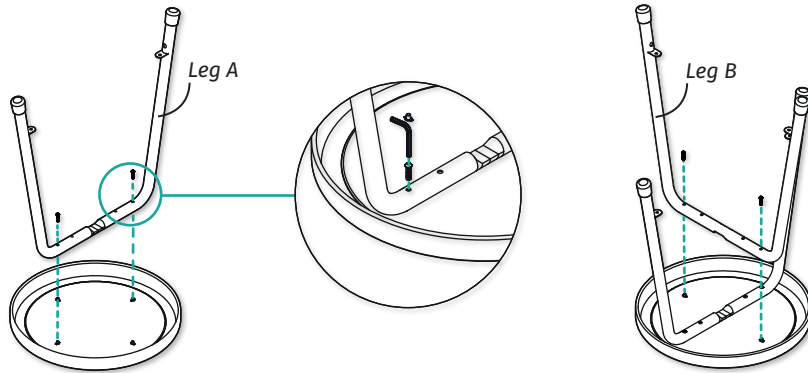
Leg A



Leg B

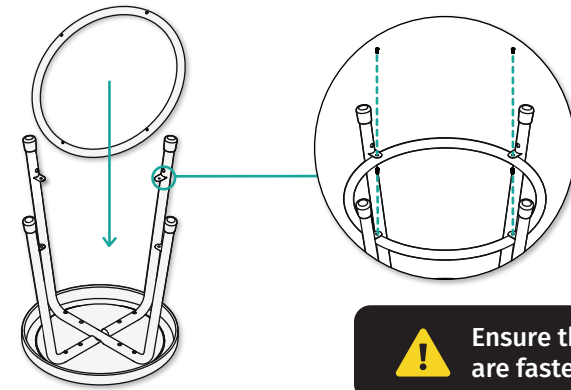
1

Place the seat upside down on a flat surface. Place Leg A and secure it with 2 Bolts using the outer holes of the Leg. Tighten to the underside of the seat, using the included Allen Wrench. Then secure Leg B in the same way.



2

To install the Foot Ring, slide the Ring in at an angle, then align the holes in the Ring below the holes in the Tabs. Use 4 Bolts to secure the Ring to the Tab of each Leg.



Ensure that all Bolts are fastened tightly.



Double check all Bolts to be tightened securely before use. Check all Bolts periodically. Failure to completely tighten the Bolts may result in tipping and possible injury!

Congratulations, your stool is now assembled and ready to be used!

Dear Customer, Thank you for your purchase! Although extreme care goes into manufacturing & packaging of this product, mistakes are possible. If you encounter any missing parts or difficulty in assembly, please contact our customer service team at www.hampdenfurnishings.com/contact for assistance.