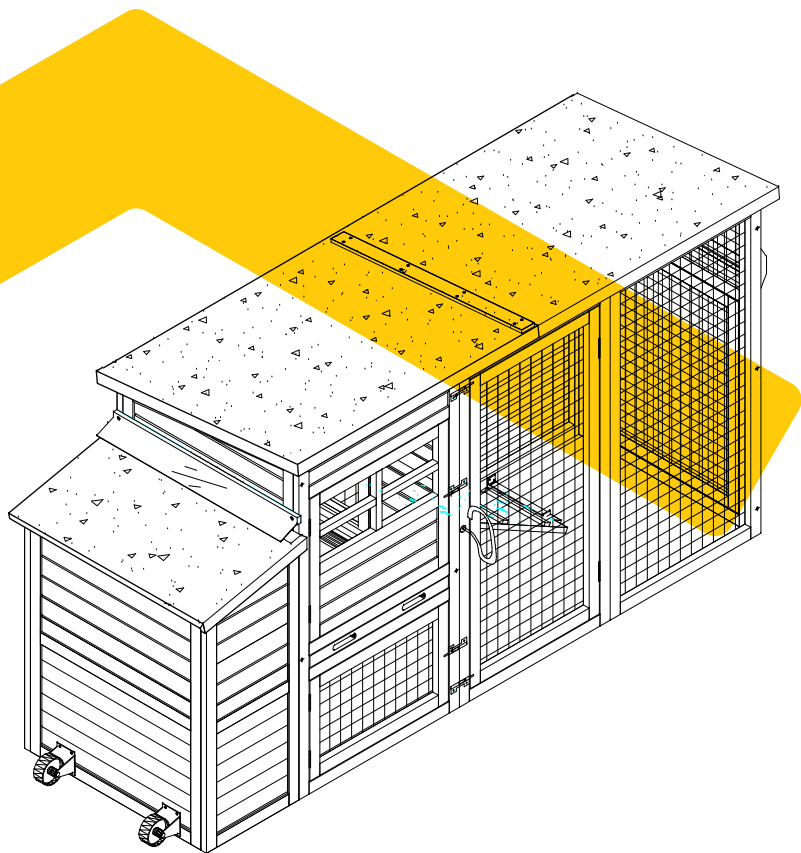


INSTRUCTION MANUAL

AIR 31





NOTICE

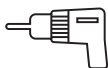
Please retain these instructions for future reference.

- Firmly secure all bolts,screws and knobs before use.
- Reconfirm that all bolts,screws,and knobs are secure every 90 days.
- Fasten screws loosely during initial assembly. Do not fully tighten screws until the item is completely assembled.
- Do not use or store this item in the proximity of open flame or flammable/combustible chemicals.
- Be aware that some parts are heavy and have sharp edges.
- Be aware that moving parts can injure,crush and cut.
- If any parts are missing,broken,damaged,or worn,stop using this product until repairs are made and/or factory replacement parts are installed.
- Do not use this item in a way inconsistent with the manufacturer's instructions as this could void the product warranty.

TOOLS REQUIRED //



PHILLIPS
SCREWDRIVER



DRILL
(RECOMMENDED)



2PERSON
ASSEMBLY



APPROXIMATELY
60MIN. ASSEMBLY

HARDWARE //

M3.5x60mm SCREW
16PCS+1spare



P1

M3.5x40mm SCREW
18PCS+1spare



P2

M3.5x25mm SCREW
6PCS+1spare



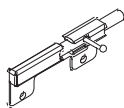
P3

M3.0x16mm SCREW
34PCS+1spare



P4

Spring latch
4PCS



P5

M3.5x35mm SCREW
6PCS+1spare



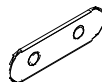
P6

M3.0x16mm SCREW
4PCS+1spare



P7

Connect pieces
2PCS



P8

HARDWARE

1PC



P9

M6.0x30mm BOLT
8PCS+1spare



P10

M4.0x30mm SCREW
2PCS+1spare



P11

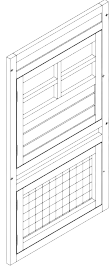
Lock
1PC



P12

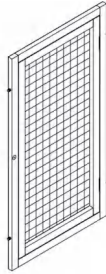
CARTON 1/2

Front panel of coop
1PC



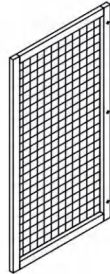
A

Middle panel of front pen
1PC



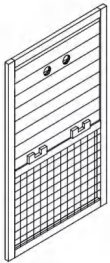
B

Side panel of front pen
1PC



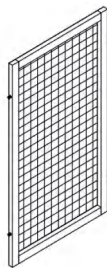
C

Back panel of coop
1PC



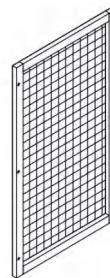
D

Middle panel of back pen
1PC



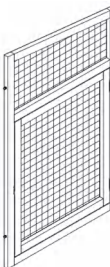
E

Side panel of back pen
1PC



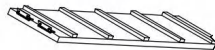
F

Right panel of pen
1PC



I

Ramp
1PC



K

Roof of nest box
1PC



R

PARTS

Perch
2PCS

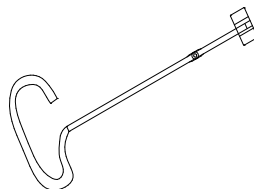


L

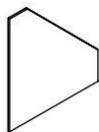
Hardware bag



Metal rod

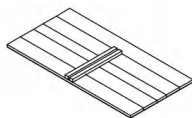


Divider panel of nest box
1PC



P

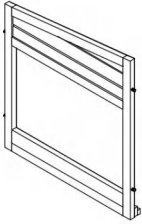
Bottom panel of nest box
1PC



Q

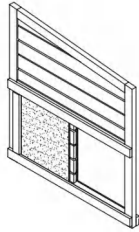
CARTON 2/2

Divider panel
1PC



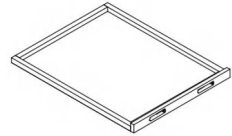
G

Access door panel
1PC



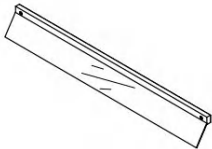
H

Tray
1PC



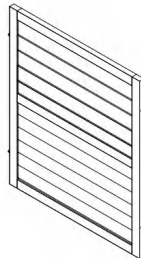
J

PVC Waterproof Strip
1PC



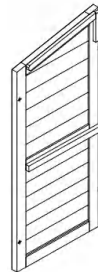
U

Side panel of nest box
1PC



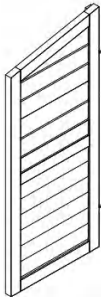
M

Back panel of nest box
1PC



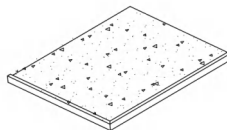
N

Front panel of nest box
1PC



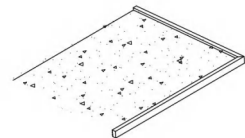
O

Coop roof
1PC



S

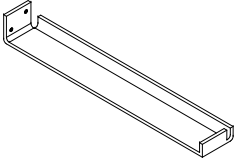
Pen roof
1PC



T

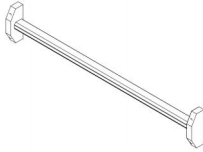
PARTS //

Metal ramp supporting
1PC



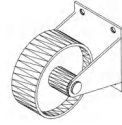
V

Push handle
1PC



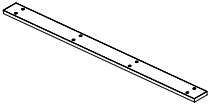
W

Casters
2PCS

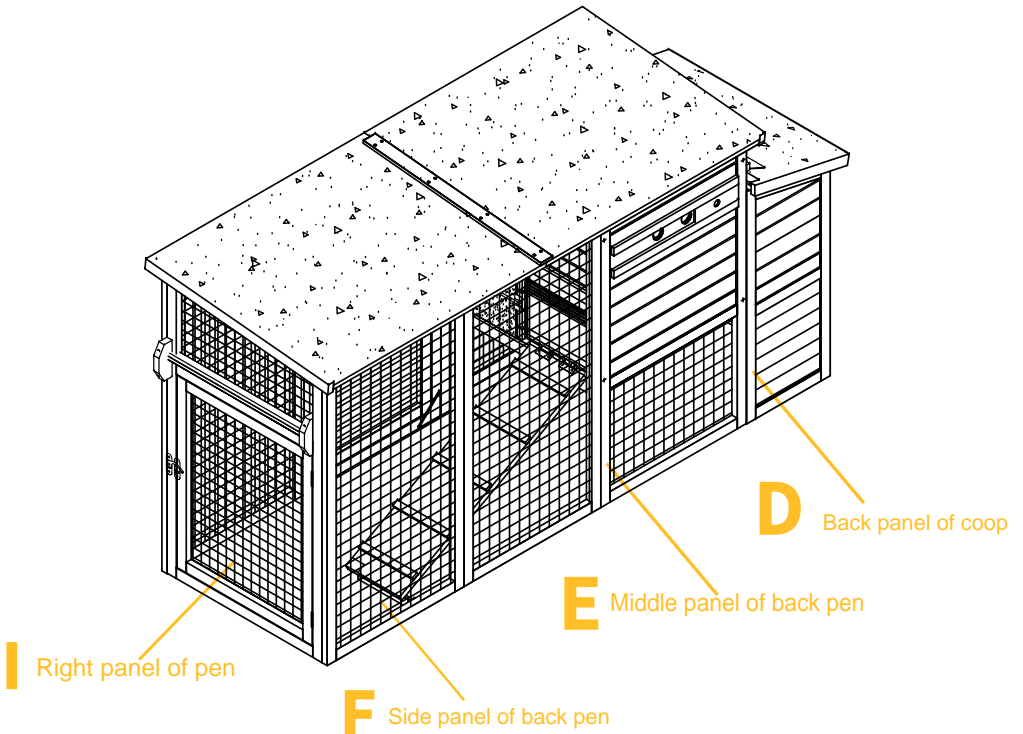
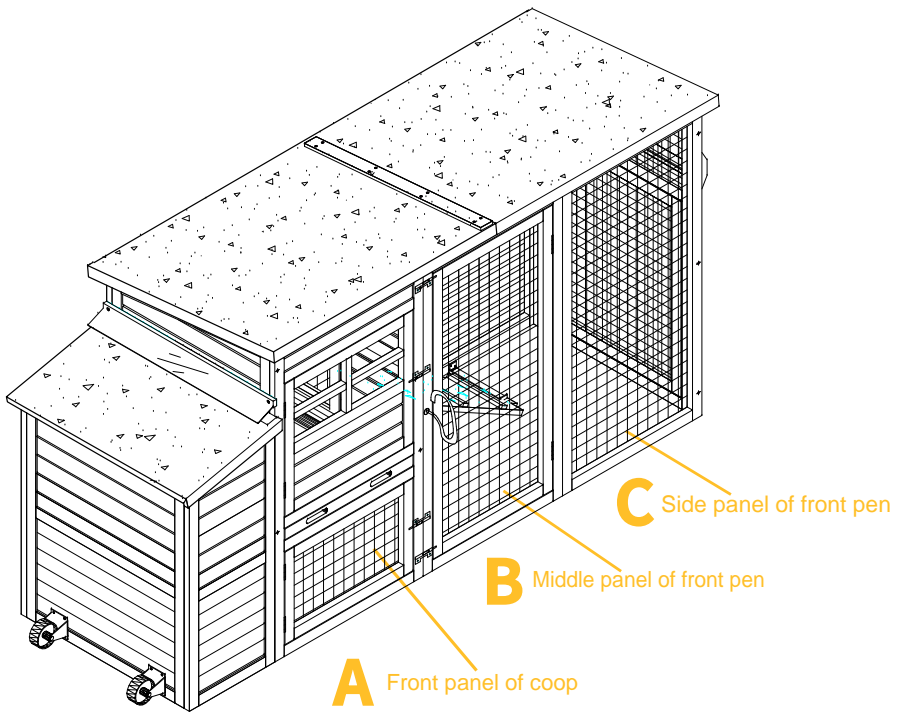


X

Roof connect slat
1PC



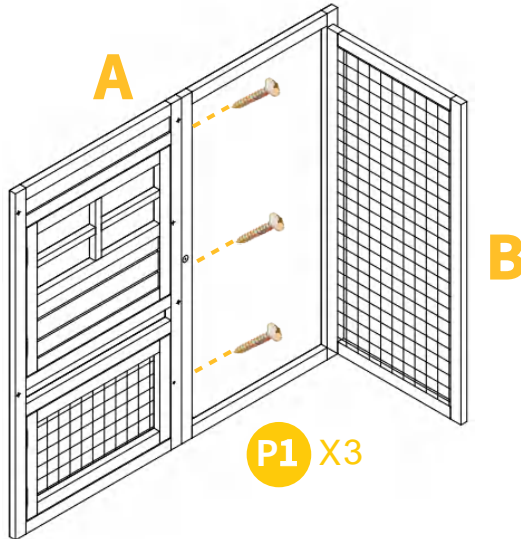
Y



PRODUCT ASSEMBLY //

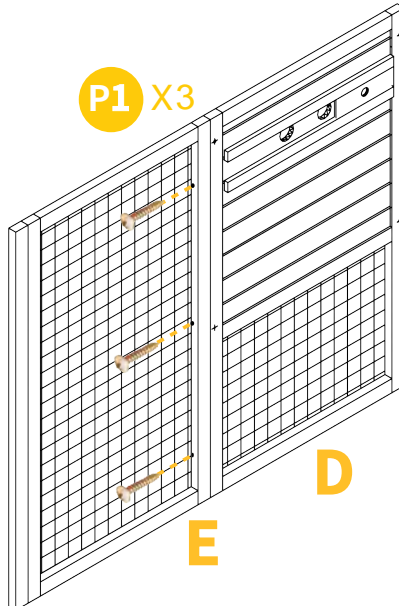
01

Attach the front Part A to the front Part B by 3xP1.
Ensure all corner line up before screwing together.



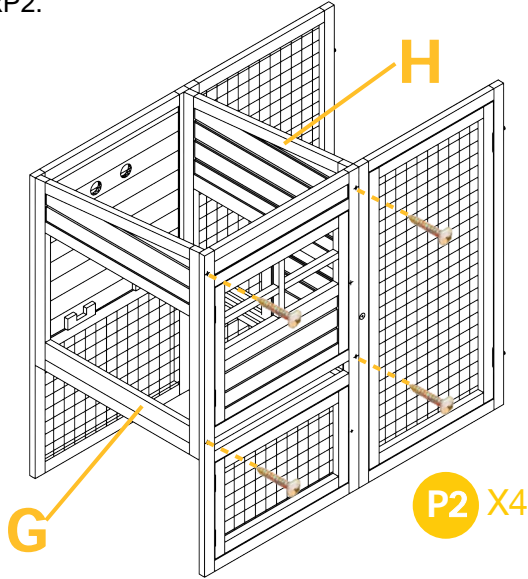
02

Attach the back Part D to the back Part E by 3xP1.
Ensure all corner line up before screwing together.

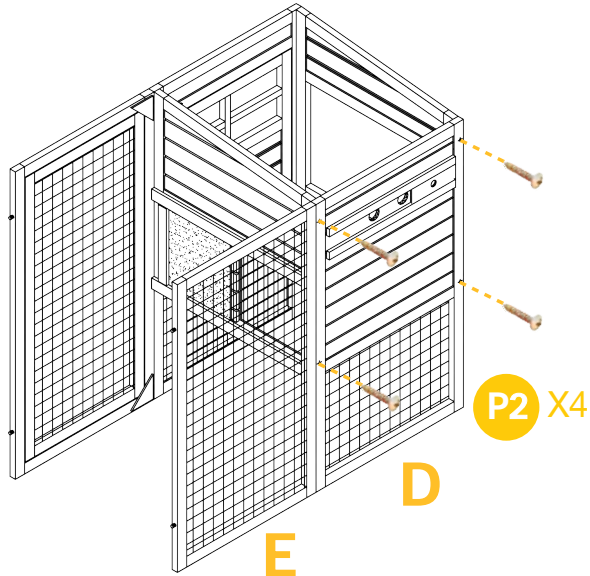


PRODUCT ASSEMBLY //

03 Attach the divider panel Part G and access panel Part H to the front by 4xP2.



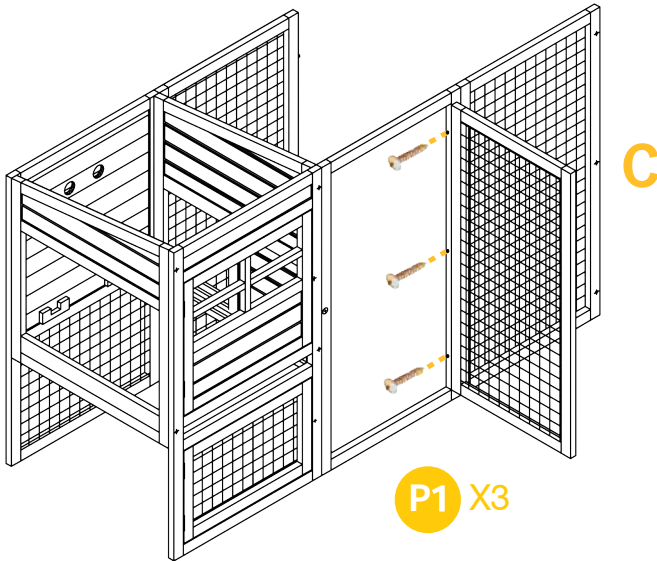
04 Attach the back panel by 4xP2.



PRODUCT ASSEMBLY //

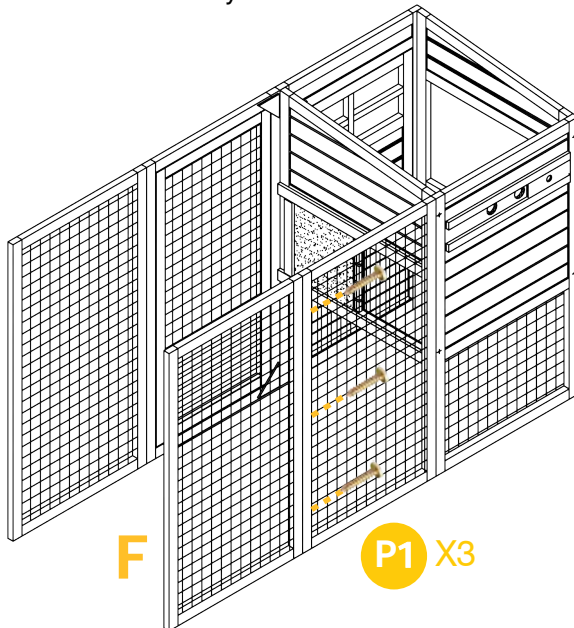
05

Attach the front Part C by 3xP1.



06

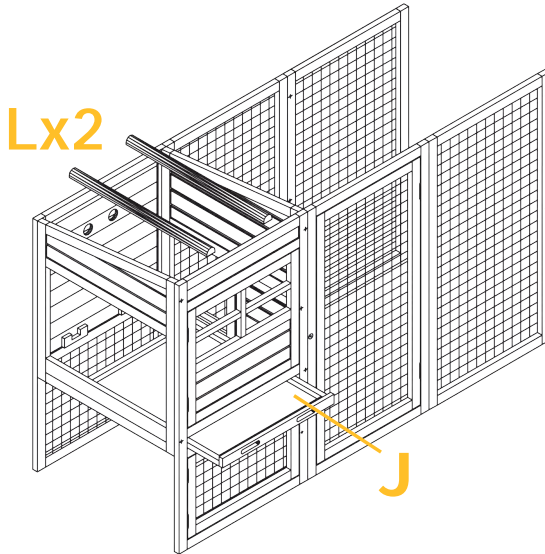
Attach the back Part F by 3xP1.



PRODUCT ASSEMBLY //

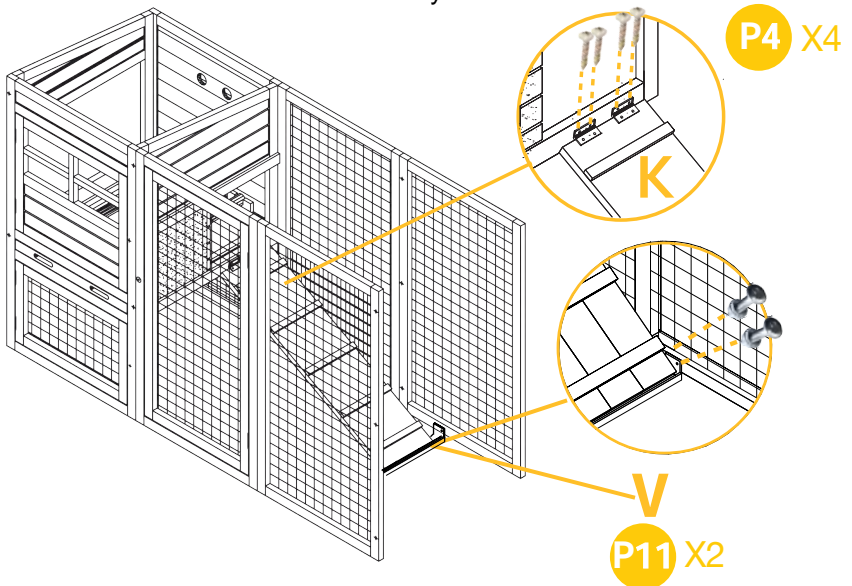
07

Insert the perches Part L into the slots inside the front and back panel.
Slide in the tray Part J.



08

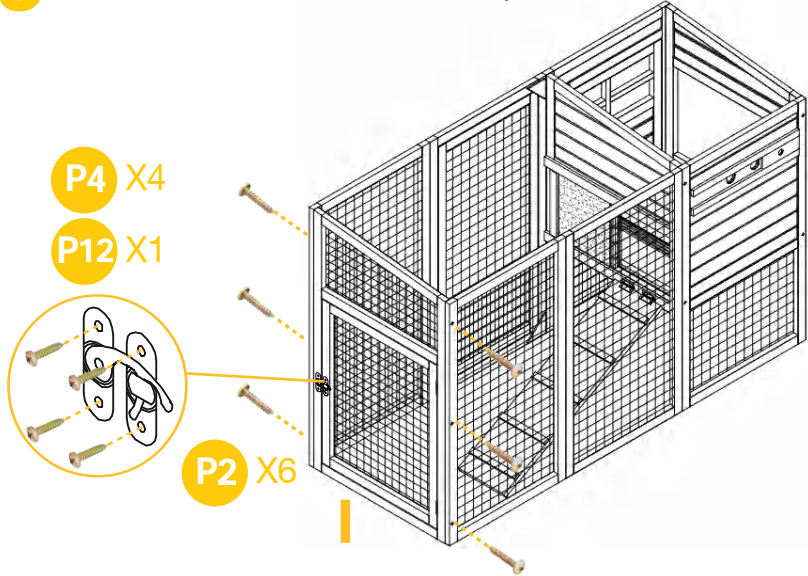
Screw the ramp Part K to the access panel Part H by 4xP4.
Notice not to block with the sliding door.
Screw the Part V to the Part F by 2xP11.



PRODUCT ASSEMBLY //

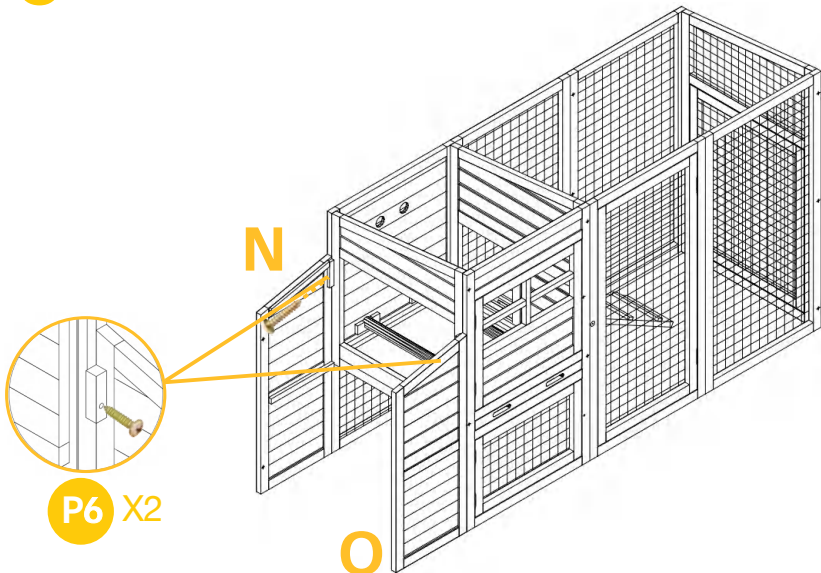
09

Attach the side pen panel Part I by 6xP2.
Attach lock P12 to the side door by 4xP4 screws.



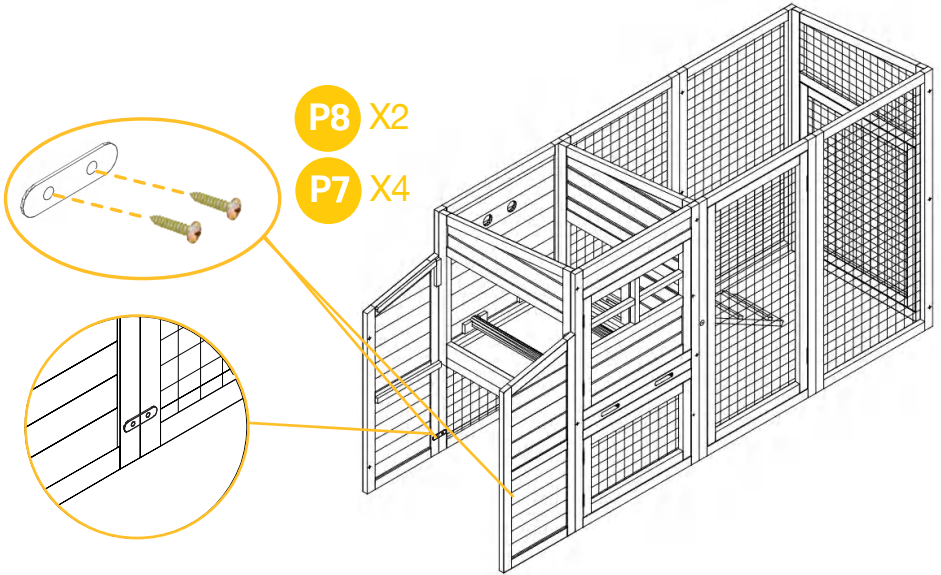
10

Attach Part N & O to the coop from INSIDE by 1xP6 each side.

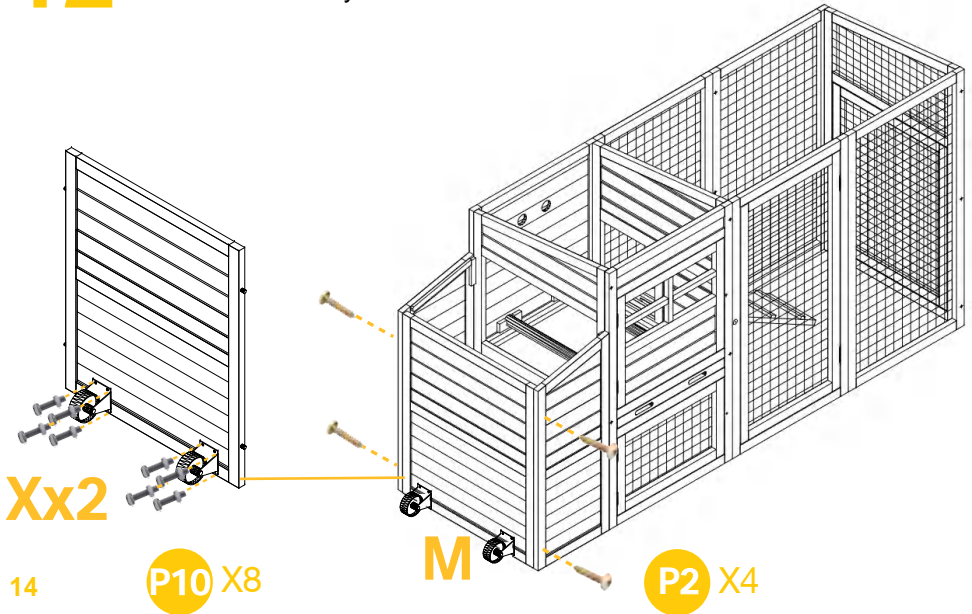


PRODUCT ASSEMBLY //

11 Connect the nest box to the main coop from INSIDE by 2xP7 each side.

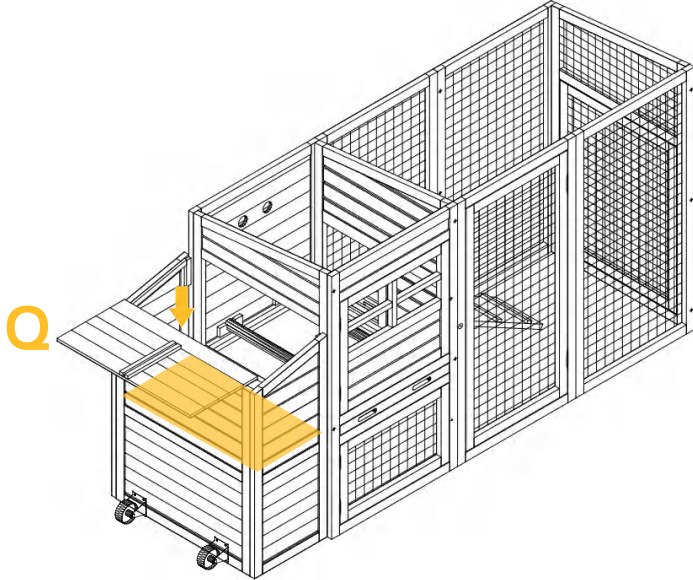


12 Screw the Casters Part X to the Part M by 8xP10.
Attach Part M by 4xP2.

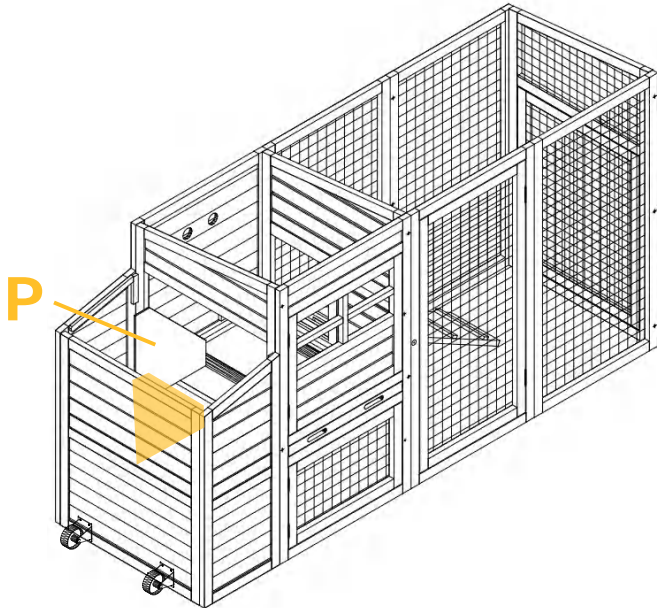


PRODUCT ASSEMBLY //

13 Drop in bottom of nest box Part Q.

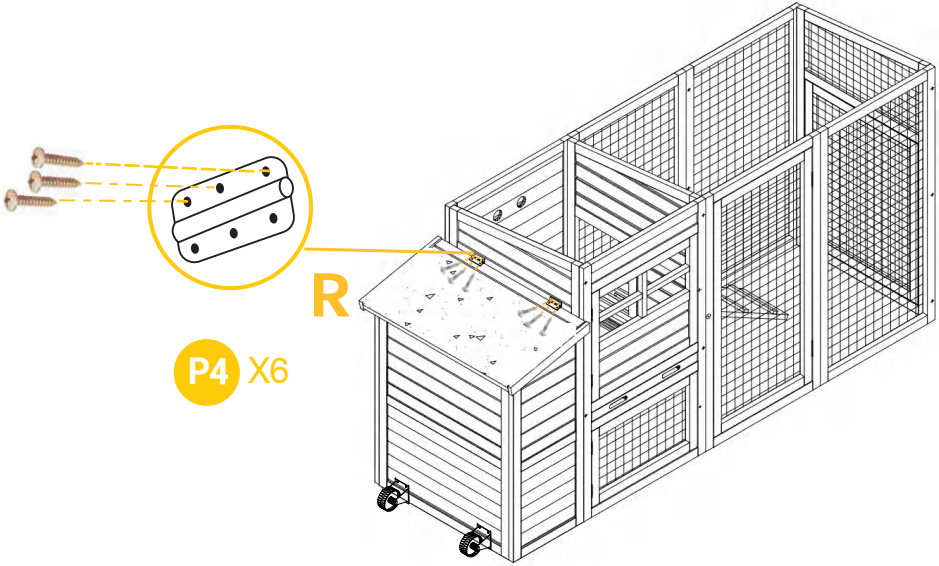


14 Slide in divider Part P.

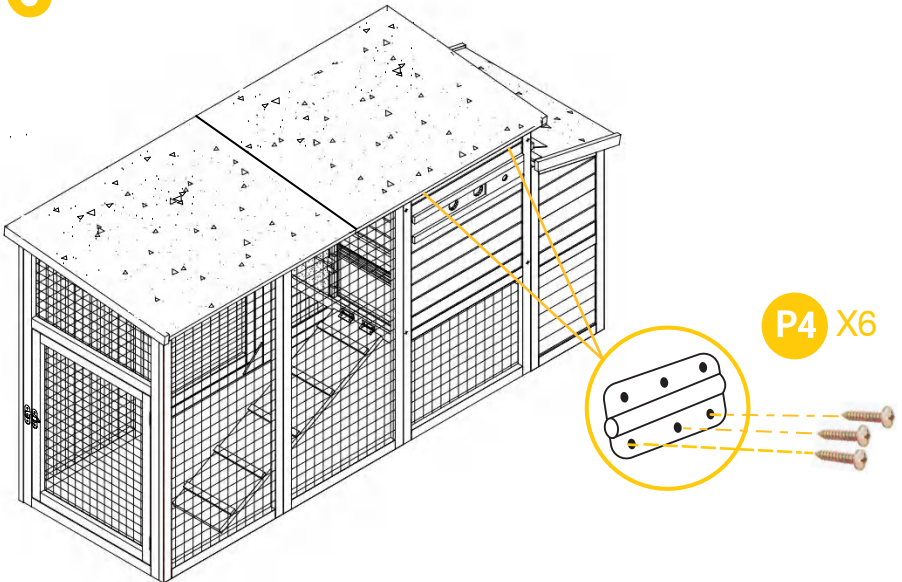


PRODUCT ASSEMBLY //

15 Attach the roof Part R by 6xP4.

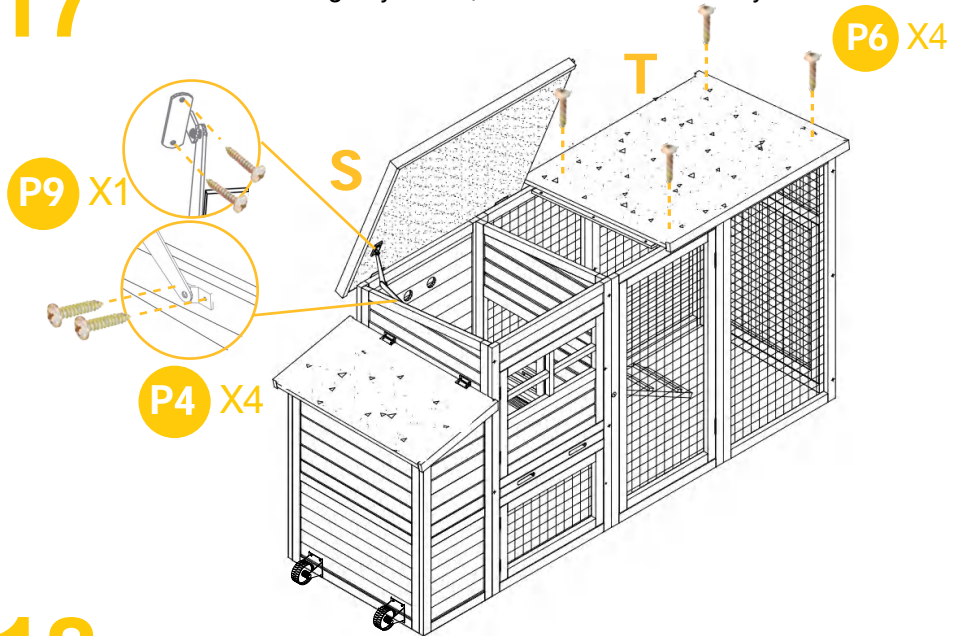


16 Attach the roof Part S by 4xP6.

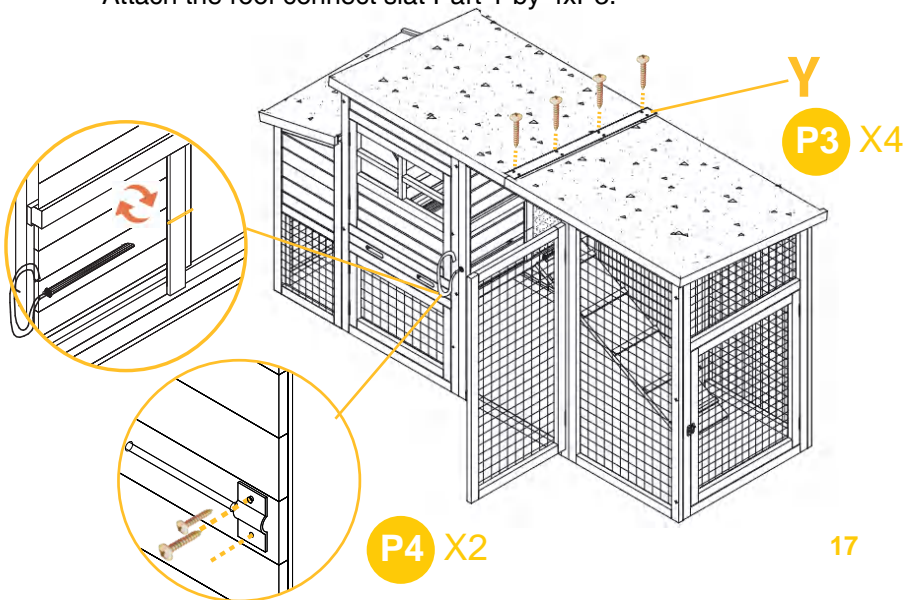


PRODUCT ASSEMBLY //

17 Screw the roof hinge by 4xP4 ,Attach the roof Part T by 4xP6.



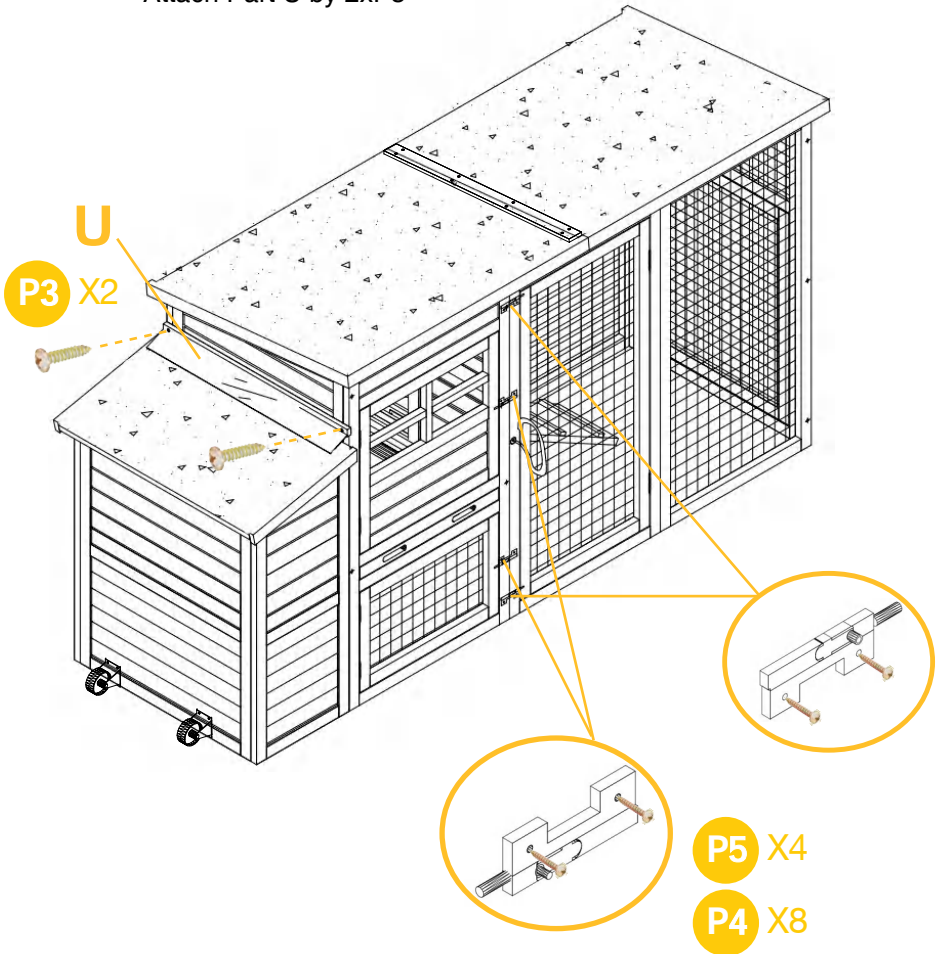
18 Screw 2xP4 to the access panel Part H and then rotate the metal rod accordingly.
Attach the roof connect slat Part Y by 4xP3.



PRODUCT ASSEMBLY

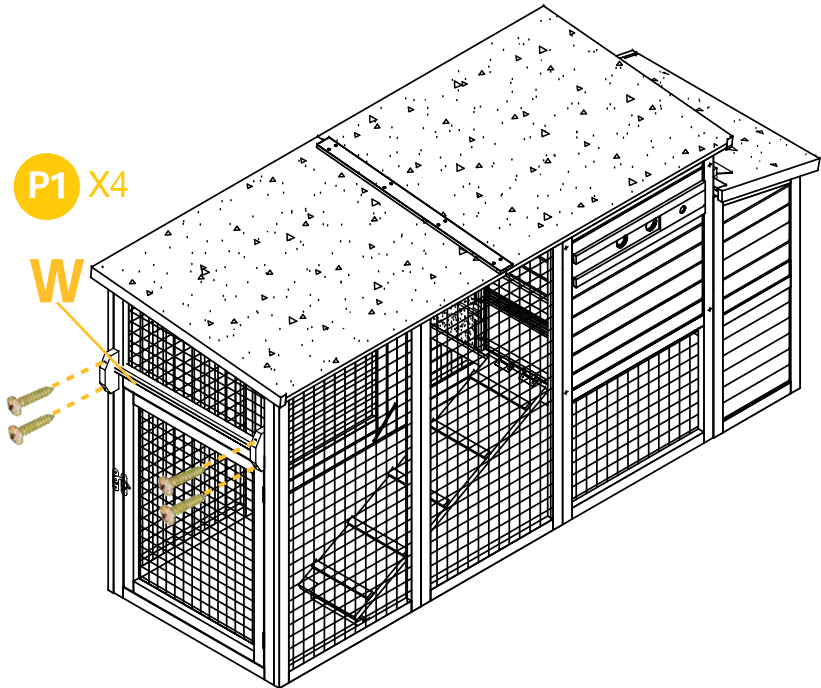
19

Attach the spring latch P5 to the door by 2xP4 each.
(Notice the direction of latch)
Attach Part U by 2xP3



PRODUCT ASSEMBLY //

20 Attach Part W to Part I by screw 4xP1.



Finish



WARNING

Manufacturer and seller expressly disclaim any and all liability for personal injury, property damage or loss, whether direct, indirect, or incidental, resulting from the incorrect attachment, improper use, inadequate maintenance, or neglect of this product.