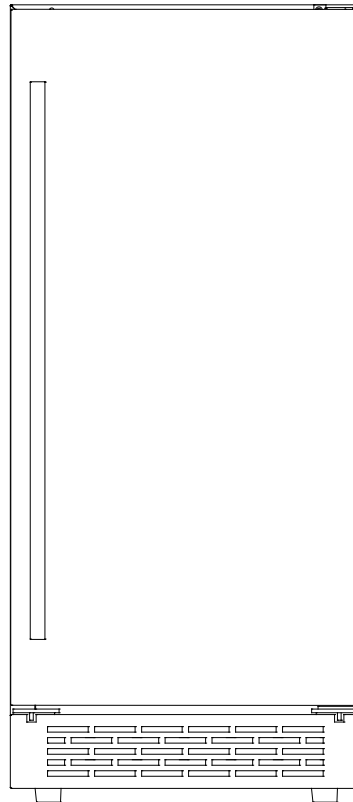


# CAMBRIDGE

## INSTRUCTION MANUAL

# UNDERCOUNTER CLEAR ICE MACHINE



Model Number: CAM-ICE01-5SS (15")



**BEFORE USE, PLEASE READ AND FOLLOW ALL SAFETY RULES AND OPERATING INSTRUCTIONS.**

**V20220503**

# WARNING!

- The appliance must be positioned so that the plug is accessible. Release the electric cord, move your wine cooler/beverage cooler to the desired location.
- Do not move your ice maker when filled, as this might distort the body.
- Do not touch the compressor on the ice maker.
- The plug should be accessible at all times.
- The assembly of this appliance should be done with caution as there are hazards involved. Children should not play with the appliance.
- This item should be plugged into a power outlet directly. Do not plug into an extension cord or power strip.
- If the supply cord is damaged, it must be replaced by manufacturer or a similarly qualified person, in order to avoid a hazard.
- Ensure that your water supply line connections comply with all local and state plumbing codes. All connections must be made by a licensed plumbing contractor. Failure to follow these instructions may result in damage and/or harm.

# IMPORTANT SAFETY INSTRUCTIONS

## WARNING

Follow these basic steps to reduce the risk of fire, electrical shock, or injury.

- Save these instructions for future use.
- Never allow children to play or crawl inside the appliance.
- Make sure the appliance has an open ventilation system and is clear of obstruction.
- Before you throwing away your old ice maker: Take off the door off so that children are not able to climb inside.
- Never clean appliance parts with flammable fluids. The fumes can create a fire hazard or explosion.
- Do not store or use gasoline or any other flammable vapors and liquids in the vicinity of this appliance. The fumes can create a fire hazard or explosion. Do not store explosive substances such as aerosol cans with a flammable propellant in this appliance.
- Do not use mechanical devices or other means to accelerate the defrosting process, other than those recommended by the manufacturer.
- Appliance should be on a stable surface to avoid any hazard.
- The only refrigerant that should be used is R134.

# INSTALLATION INSTRUCTIONS

## Before Using your Ice Maker

- Remove the exterior and interior packing.
- Before connecting the ice maker to the power source, let it stand upright for approximately 2 hours. This will reduce the possibility of a malfunction in the cooling system from handling during transportation.
- Clean the interior surface using a soft cloth and a lukewarm mixture of 2 tablespoons of baking soda for each quart of lukewarm water..
- This appliance is intended to be used for residential applications.
- When disposing your appliance, please choose an authorized disposal site.

## Installation of your ice maker

- This appliance is designed to be for free standing or built-in installation .
- Place your ice maker on a level surface that is strong enough to support the weight when fully loaded.
- This appliance is using flammable refrigerant. Be careful not to damage the cooling pipe during the transportation.
- Place the ice maker away from direct sunlight and sources of heat (stove, heater, radiator, etc.).
- Direct sunlight may affect the acrylic coating and heat sources may increase electrical consumption. Extreme cold ambient temperatures may also cause the unit not to perform properly.
- Avoid locating the unit in humid areas.
- Plug the ice maker into a properly installed-grounded wall outlet. Do not under any circumstances cut or remove the third (ground) prong from the power cord. Any questions concerning power and/or grounding please contact a certified electrician or an authorized product service center.

### CAUTION

- To store the ice maker cooler for an extended period of time; the unit should have a thorough cleaning and the door should be left ajar to allow air to circulate. This will avoid possible formations of condensation, mold or odors.

## Ambient Room Temperature Limits

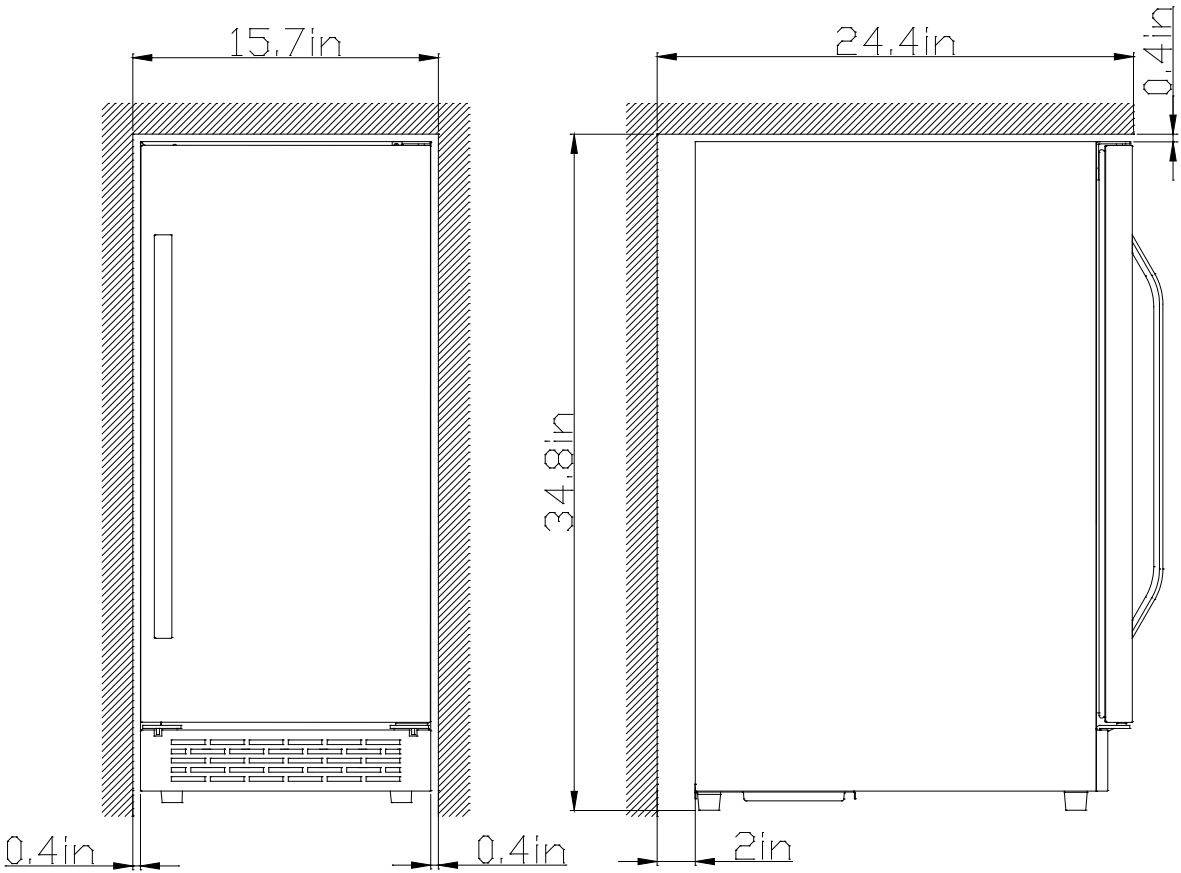
This appliance is designed to operate in ambient temperatures specified by its temperature class marked on the rating plate.

Class	Symbol	Ambient Temperatures range(°F)
Extended Temperate	SN	+ 50 to + 90
Temperate	N	+ 60 to + 90
Subtropical	ST	+ 60 to + 100

Tropical	T	+ 60 to + 109
----------	---	---------------

# BUILT-IN INSTALLATION INSTRUCTIONS

To build in the ice maker, we suggest keeping the distance of at least 1 inch from every left, right and topside of the wall and at least 4 inches to the back side of the wall in order to properly vent out the hot air. Please see below detailed drawing.



# Connecting ice maker to water supply

**WARNING: When connecting water supply line to the ice maker, make sure to disconnect the ice maker from electrical power. This will avoid electric shock, which can cause death or severe personal injury.**

## CAUTION

### To avoid property damage:

- Copper tubing or braided stainless supply line is recommended for the water supply line. Water supply tubing made of 1/4 inch plastic is not recommended since these increases the potential for water leaks. Manufacturer will not be responsible for any damage caused by locally supplied line to unit
- Do not install water supply tubing in areas where temperatures fall below freezing.
- Connect the ice maker to potable water source that is not tied into a water softening system. Chemicals from the softener may damage the ice maker, causing it to malfunction.

## WARNING!

**Ensure that your water supply line connections comply with all local and state plumbing codes. All connections must be made by a licensed plumbing contractor. Failure to follow these instructions may result in damage and/or harm.**

### Before installing the water supply line, you will need:

- Adjustable wrench and a standard flat blade screwdriver.
- Access to a household cold water line with water pressure between 20 and 120 psi (138 and 827 kPa).
- A water supply line made of 1/4 inch OD copper tubing. To determine the length of copper tubing needed, you will need to measure the distance from the ice maker inlet valve at the back of the ice maker to your cold water pipe. Then add approximately 7 feet, so the ice maker can be moved out for cleaning.
- A shutoff valve to connect the water supply line to your household water system. Do not use a self-piercing type shutoff valve.
- A compression nut and ferrule (sleeve) for connecting the water supply line to the ice maker inlet valve.

**NOTE:** The following accessories are needed but not provided.

- 10 feet of 1/4 inch OD copper tubing or braided stainless supply line
- Saddle type shutoff valve (non-piercing)
- (2) 1/4 inch brass compression nuts
- (2) ferrules /sleeves

## CAUTION

**Do not use any plastic water supply line. Plastic may crack and could cause damage to your home. Do not reuse an old hose set. Use a new hose set.**

### To connect water supply line to ice maker inlet valve:

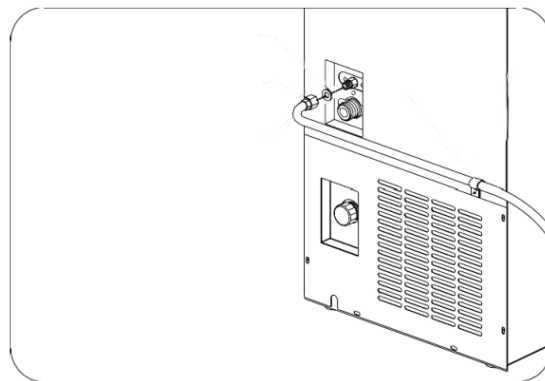
1. Disconnect ice maker from electric power supply.
2. Place the end of water supply line into sink or bucket.
3. Turn ON water supply and flush supply line until water is clear. Turn OFF water supply at shutoff valve. Unscrew plastic cap from water valve inlet and save it for use later.
4. Slide brass compression nut, then ferrule (sleeve) onto the water supply line, as shown in Fig. A.
5. Push water supply line into water valve inlet as far as it will go (approximately 1/4 inch).
6. Slide ferrule (sleeve) into valve inlet and finger tighten compression nut onto valve. Tighten another half turn with a wrench; do not over tighten.
7. With steel clamp and screw, secure water supply line to rear panel of ice maker at location as shown in Fig.A.
8. Coil excess water supply line (about 2 ½ turns) behind ice maker as shown in Fig.A and arrange coils so they do not vibrate or rub against any other surface.
9. Turn ON water supply at shutoff valve and tighten any connections that leak.
10. Reconnect ice maker to electric power supply.

Although the unit has been tested and cleaned, due to transit and storage, the first batch of ice cubes should be discarded.

It takes approximately 24 hours for the ice maker to begin producing ice. Air in new plumbing lines may cause the ice maker to cycle two or three times before making a full tray of ice. New plumbing may cause ice to be discolored or have poor flavor. Discard ice made during the first 24 hours.

**IMPORTANT:** Never turn the water supply tap off when the ice maker is working. Never touch the evaporator when the unit is running. Except to take ice from the unit, keep the door closed to reduce melting and insure proper ice formation.

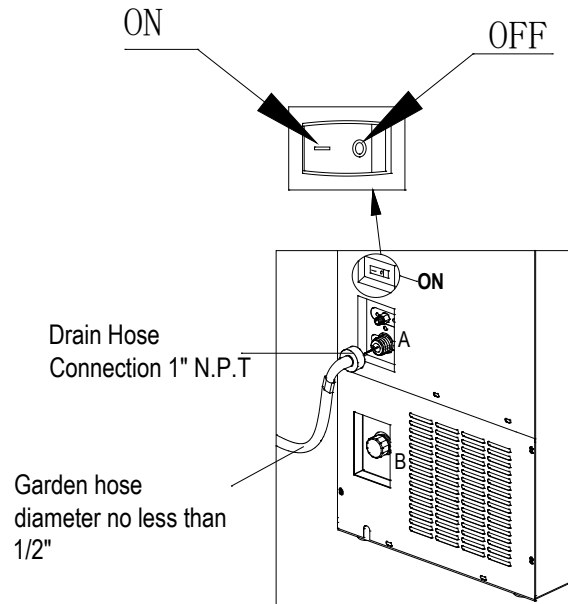
Fig.A



## **Drain-pipe Connection**

- Direct drainage or force drainage mode, the external drain connection instructions are below:
- Connect one side of the external drain pipe linker to the outlet pipe of ice maker, the other side is put into the drain hole.(see Fig B.)

### Drain Hose Connection



A- Pump assisted drain

B- Gravity fed continuous drain

**NOTE:** When using pump assisted drain "A" the switch (on back) must be turned to "ON" position.



# OPERATING INSTRUCTIONS

## WARNING!

Please follow the steps below when the ice maker is disconnected from the power and has no water or else it may cause electric shock or wet and damaged flooring.

Your ice maker has two different performance modes. Choose the one that meets your requirements. Please see below detailed instructions.

Fig.A

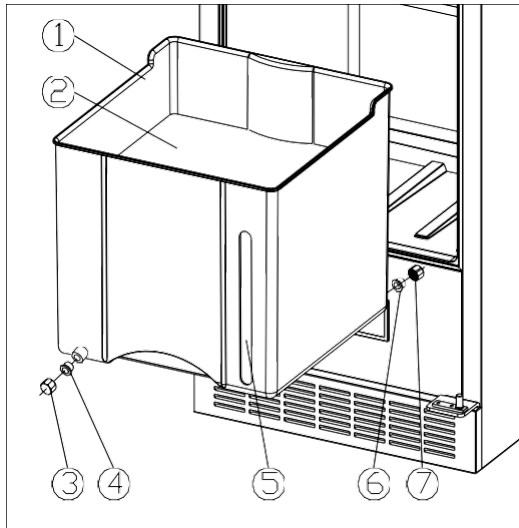


Fig.B

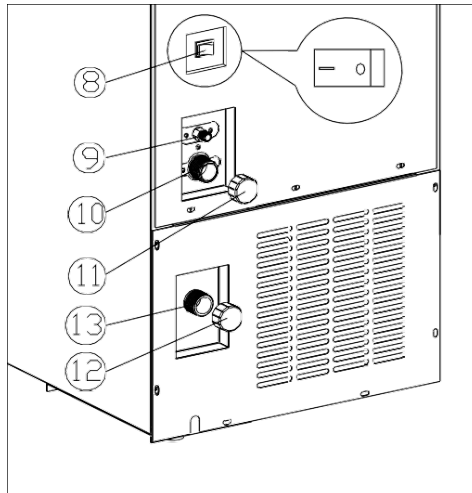
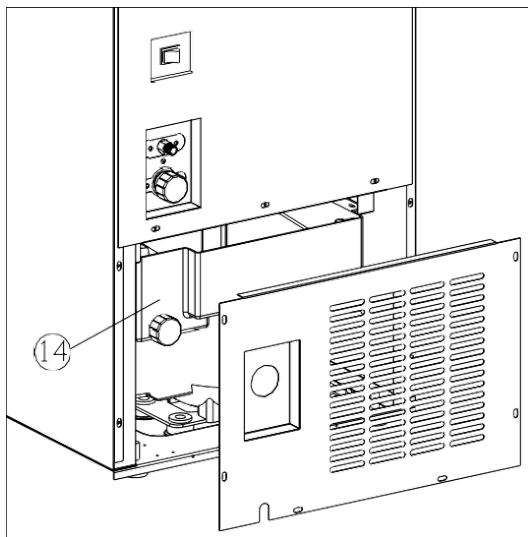


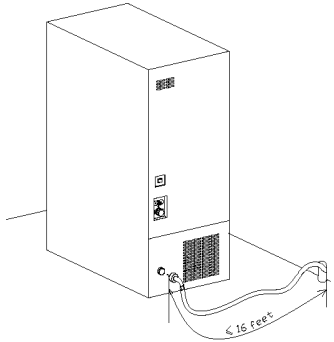
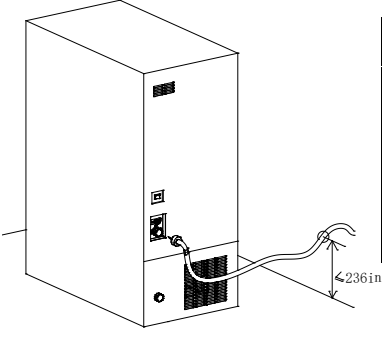
Fig.C



- ① Ice box
- ② Bottom board of ice box
- ③ Drain nut (front)
- ④ Drain seal (front)
- ⑤ Water level
- ⑥ Drain seal (back)
- ⑦ Drain nut (back)
- ⑧ Drain pump switch
- ⑨ Water inlet pipe connector
- ⑩ drain pump outlet (pump assisted)
- ⑪ drain cap
- ⑫ drain cap
- ⑬ direct water outlet pipe connection (continuous)
- ⑭ water tank

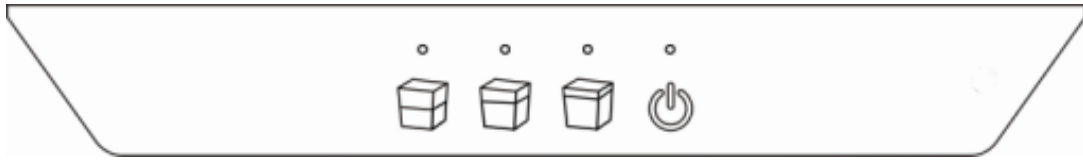
# YOUR ICE MAKER HAS TWO DIFFERENT PERFORMANCE MODES:











Please read following installation before using. Choose correct drain mode, and set your ice maker accordingly.

Performance Mode	Instructions	Suitable situation	Operation instruction	
Gravity drainage mode	Unnecessary water will be drained off by the outlet water pipe on the back of the unit	The height of drain hole in the room $\leq 3.94$ in (3-15/16") 	Ref: Fig.A & Fig.B	
			Screw Nut and Switch	Condition
			screw nut(front) ③+seal washer(front)④	Lock
			screw nut(back) ⑦+seal washer(back)⑥	Open
			screw nut for valve seal⑪	Lock
			screw nut for valve seal⑫	Open
			force water outlet switch⑧	OFF
<ol style="list-style-type: none"> <li>Please insure the screw nut and switch are in the above condition;</li> <li>Use a certain length drain pipe, connect one side To the direct water outlet pipe connection (13) the other to the drain hole. Please insure the connection is tight to avoid water leakage.</li> </ol>				
Drain pump mode. (Recommended mode)	Unnecessary water will force the drain out by the pump on back of the unit.	The height of drain hole in the room is between 4-59 inches 	Ref: Fig.A & Fig.B	
			Screw Nut and Switch	Condition
			Screw nut(front) ③+seal washer(front)④	Lock
			Screw nut(back) ⑦+seal washer(back)⑥	Open
			Screw nut for valve seal⑪	Lock
			Screw nut for valve seal⑫	Open
			Force water outlet switch⑧	NO
<ol style="list-style-type: none"> <li>Please insure the screw nut and switch is in the above condition.</li> <li>Use a certain length drain pipe to connect one side of the force water outlet pipe connector (10) to the other drain hole. Please insure the connection is tight to avoid water leakage.</li> </ol> <p><b>WARNING:</b> The length of drainpipe is no more than 19 ft in order to prevent slops return.</p>				

**The controls of your ice maker**

The ice maker should be placed where the ambient temperature is between 41-95°F. If the ambient temperature is above or below this range, the performance of the unit may be affected.



Control	Type	Condition	Function Explanation
	Button	Press	To control the ice maker turn on/off (press and hold this button for approximately 3 seconds)
	Button	Press	small ice cubes
	Button	Press	medium ice cubes
	Button	Press	large ice cubes
	Indicator light	ON	small ice cubes is selected.
		FLASHING	Draining Issue. ①
	Indicator light	ON	medium ice cubes is selected.
	Indicator light	ON	large ice cubes is selected.
		FLASHING	Ice box full of ice.④
	Indicator light	ON	Compressor works
		OFF	Compressor stopped working
		FLASHING	Stand by condition
	Indicator light	Flashing at the same time	Ice maker low on water ②
	Indicator light	Flashing at the same time	Sensor breakdown.③

**Other:**

① Draining Issue.


A: If DRAIN PUMP MODE is chosen, check that the pump water outlet switch is in the ON position. If it is in the correct position, but still get a WARNING ALARM after you power off the unit, please contact a service center.

B: If GRAVITY DRAINAGE MODE is chosen, check drain line for obstructions and proper install. If no issues are found and still get a WARNING ALARM after you power off the unit, please contact a service center.

② Ice maker low on water

A: Please check if outside water supply is functioning normally. Please see CHECKING THE WATER SUPPLY steps below.

B: The ice maker will remove faults automatically within 30 minutes and work normally when outside water pipe is functioning.

C: Press  button and turn on the unit again if ice maker does not function normally after 30 minutes.

D: If the ice maker still shows a WARNING ALARM after the above process is repeated, please contact the service center.

③ Sensor breakdown.

A: Please contact our authorized service center to maintain.

④ BUCKET FULL alarm.

A: Check if the ice bucket is full. If so, remove the ice, and the alarm will stop.



B: If the ice bucket is not full when the alarm sounds, check to see if the ice maker cover plate is stuck. Clear any obstruction and replace the cover and the alarm will stop.




C: When there is insufficient water supply, the ice maker cover plate may stick and the bucket full alarm will sound. Remove any ice from around the cover plate, check that the water supply is sufficient and the alarm will stop.

➤ **Checking the water supply**

1. Turn off water supply.
2. Disconnect line from the ice maker.
3. Position water supply line in a bucket.
4. Turn on water and make sure water fills in the bucket.
5. Before reconnecting the water supply line to ice maker, make sure the water is turned off, and then reconnect the water supply line to the ice maker.

➤ **Setting the ice cubes size**

1. Please insure the water supply is well connected. The default setting of the ice maker is set to make small ice, if you need to revise the ice size; you can press buttons  and the relevant indicator light  will display.

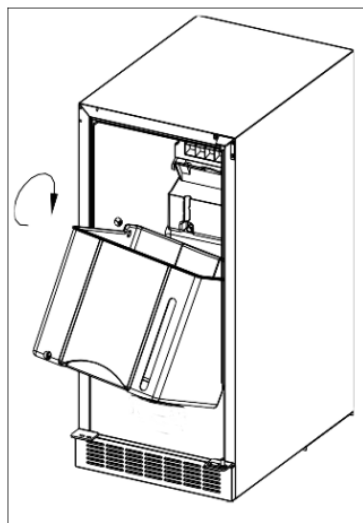
2. If you want to stop making ice, please press  button for about 3 seconds, all the indicator lights  will go off and indicator light  will keep on flashing. If you want to return to making ice, you only need to press the button one more time.

**Note:**

- If the unit is unplugged, power lost, or turned off; you must wait 3 to 5 minutes before restarting the unit. If you attempt to restart before this time delay, the ice maker will not start.

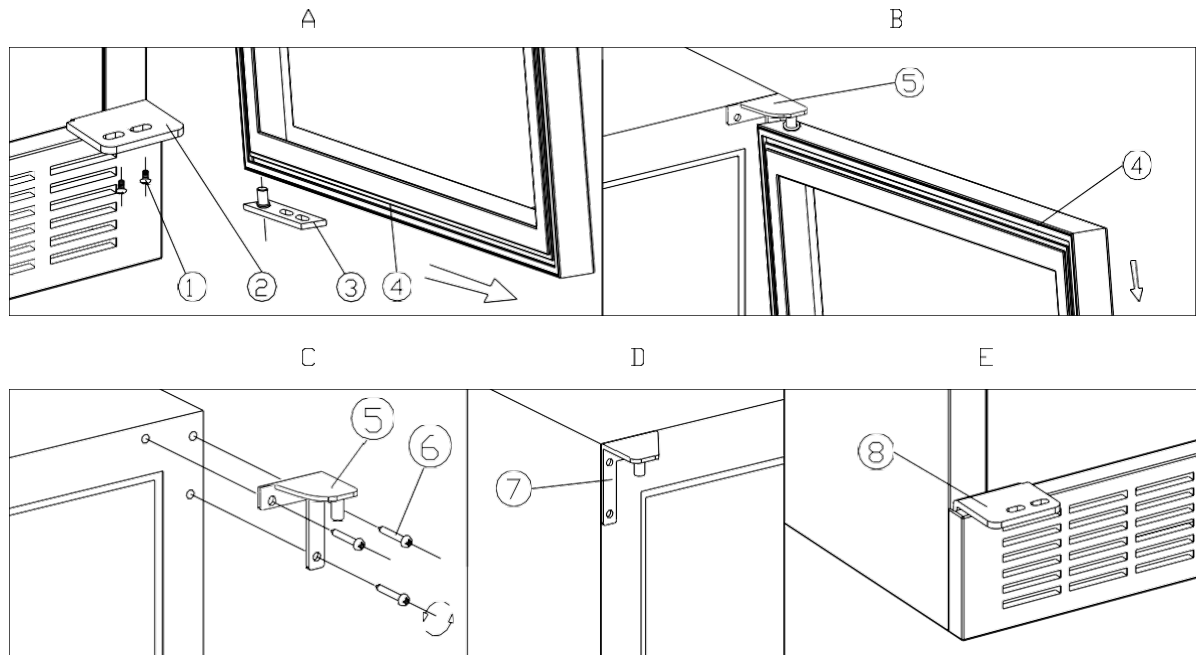
➤ **Ice Box**

Your ice box is designed to be easily removed. To take the ice box out, lift up the front part of the box then simply pull it out. (See picture below)



➤ **Door reversal instruction**

The door can be changed from left to right side and vice versa. To switch the door opening, please refer to the following directions:



(1) Bottom hinge (Right)

(2) Screws

(3) Door axis

(4) Door

(5) Top hinge (Right)

(6) Lock screws

(7) Top hinge (Left)

(8) Bottom hinge (Left)

1. Remove 2 screws (1), then pull door (4) as of arrowhead direction and then the bottom hinge (Right) (2)(Fig.A & Fig.B)
2. Remove 3 screws of right upper hinge, then remove right upper hinge (See Fig.C)
3. Use the screws which you removed from the right side hinges to fix the left upper hinge (See Fig.D & Fig.E)
4. Rotate the door 180°, and then assemble the door on the opposite side.

## CARE AND MAINTENANCE

### ➤ **Cleaning Your Ice Maker**

- Turn off the power, unplug the appliance, and remove all items.
- Wash the inside surfaces with a warm water and baking soda solution. The solution should be about 2 tablespoons of baking soda to a quart of water.
- Wash the ice box with the mild solution.
- Wring excess water out of the sponge or cloth when cleaning area of the controls, or any electrical parts.
- Wash the outside cabinet with warm water and mild liquid detergent. Rinse well and wipe dry with a clean soft cloth.

### ➤ **Power Failure**

- Most power failures are corrected within a few hours and should not affect the temperature of your appliance if you minimize the number of times the door is opened. If the power is going to be off for a longer period of time, you need to take the proper steps to protect your contents.

### ➤ **Vacation Time**

- **Short vacations:** Leave the ice maker operating during vacations of less than three weeks.
- **Long vacations:** If the appliance will not be used for several months, remove all items and turn off the appliance. Clean and dry the interior thoroughly. To prevent odor and mold growth, leave the door open slightly.

### ➤ **Moving Your Ice Maker**

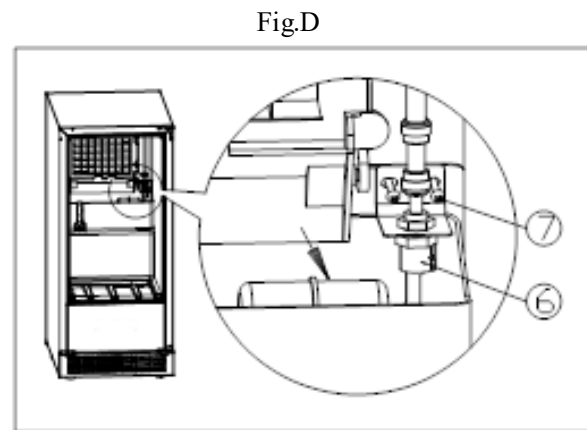
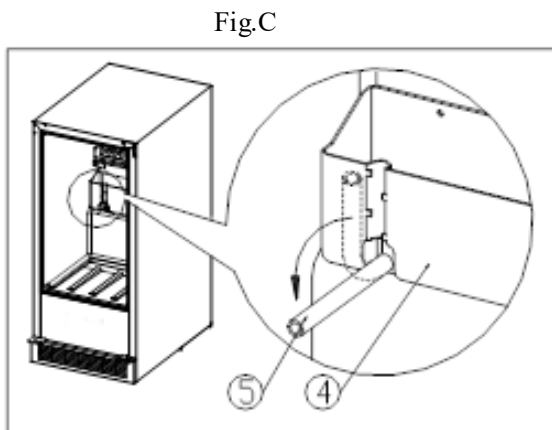
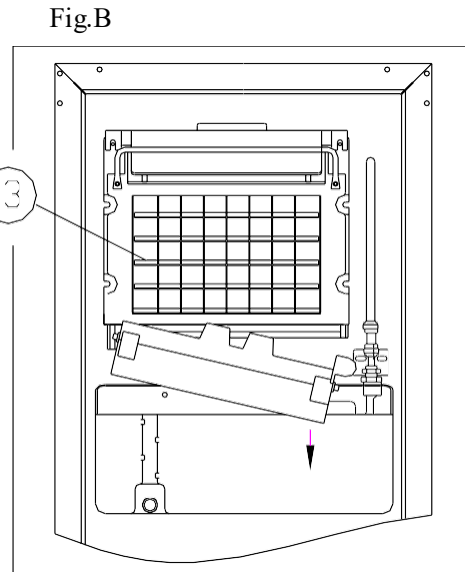
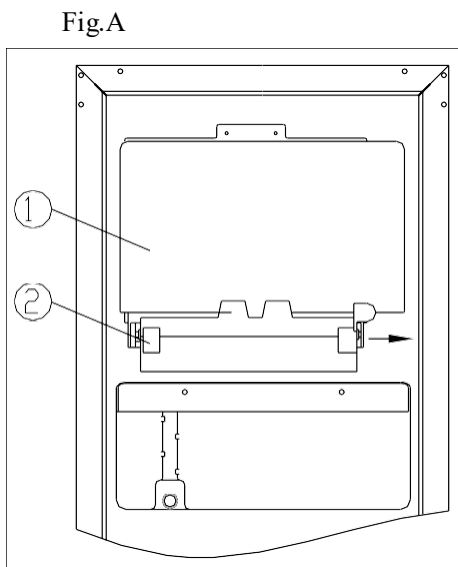
- Remove all items.
- drain water from unit
- Turn the adjustable legs up to the base to avoid damage.
- Tape the door shut.
- Be sure the appliance stays secure in the upright position during transportation. Also protect outside of appliance with a blanket, or similar item.
- 

### ➤ **Energy Saving Tips**

- The ice maker should be located in the coolest area of the room, away from heat producing appliances and out of the direct sunlight.

➤ **Inner water container cleaning**

**WARNING: Please follow the steps below only when the ice maker is disconnected from the power and has no water or it may cause electric shock or wet flooring.**



- ① Ice maker machine cover board
- ② Ice maker machine cover plate
- ③ Ice maker machine
- ④ Inner water container
- ⑤ Water pipe
- ⑥ Valve
- ⑦ Fixed screw

1. Take out the cover board (1) of the ice maker machine (3) press one side of the cover plate (2) and pull out the other side, and then it is easily removed. (Fig.A & Fig.B)

2. Prepare a water receptacle, gently pull down the water pipe (5) of the inner water container (4), then drain the water to the water receptacle. (Fig.C)

3. Remove the valve (6) and fixed screw (7), then clean the valve.

4. Use a soft brush to clean all the parts, and then use clean water to flush them.

5. After cleaning, fix the parts on opposite sides.





## **Ice maker water inlet box cleaning**

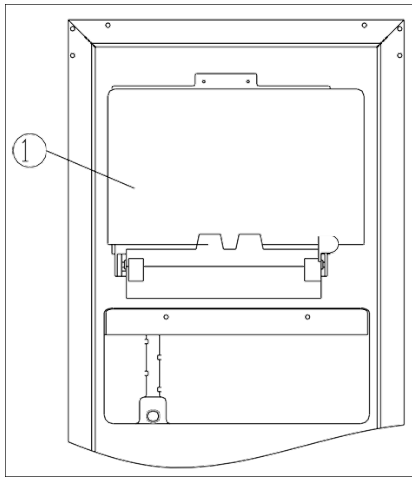


Fig. A

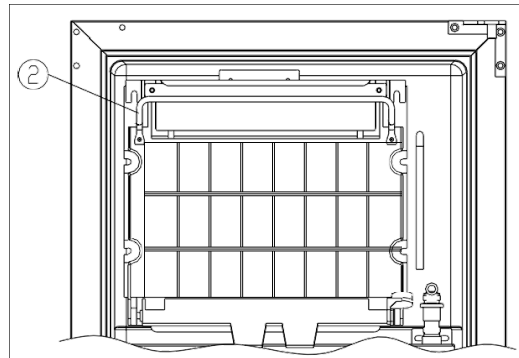
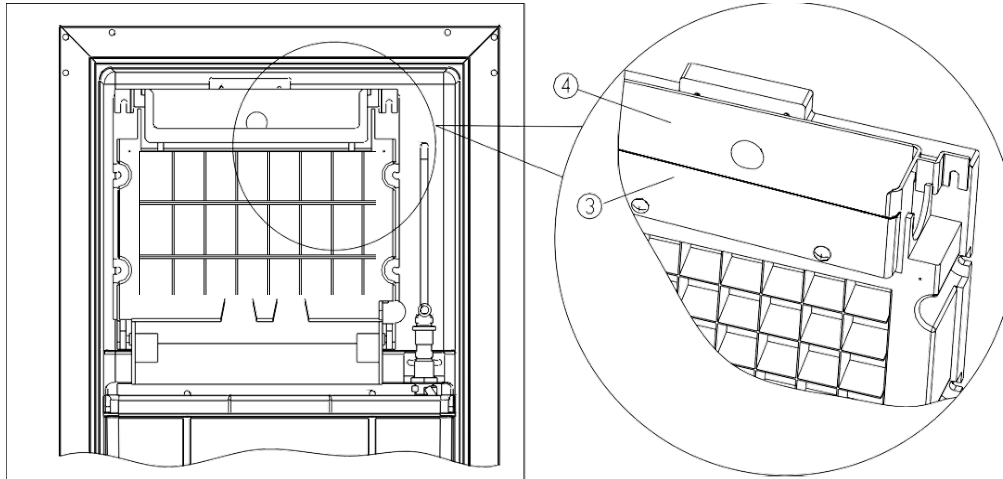


Fig. B

Fig. C



① Cover board of ice make machine

② Perch

③ Baffle plate of water inlet box

④ Water inlet box of ice make machine

- 1) Move up and rotate the cover board of ice maker machine ① to certain angle, then push backwards to separate the cover board from the perch ② so that it can be easily taken out. (Fig.A)
- 2) Twist off the two screw of the perch ② to take the perch out. (Fig.B)
- 3) Insert a flat head screwdriver into the gap between baffle plate of water inlet box ③ and ice maker water inlet box. Pry it off following the arrow direction and make the buckle separately then take out the baffle plate ③. (Fig.C, Fig.D)
- 4) Use a brush to clean the ice maker water inlet box ④ (Fig.D)
- 5) Re-install all the parts after clean up

# TROUBLESHOOTING GUIDE

ISSUE	RESOLUTION
The ice maker does not operate	<ul style="list-style-type: none"> <li>-Not plugged in</li> <li>-The appliance is turned off</li> <li>-No power to unit</li> <li>-Not enough water</li> </ul>
The ice is not big enough or melts too quickly	<ul style="list-style-type: none"> <li>-The ambient temperature is too high</li> <li>-The door is opened too often</li> <li>-The door is ajar</li> <li>-The door gasket does not seal properly Set the incorrect mode</li> <li>-Too much dust on the condenser</li> </ul>
Ice Maker Alarm	<ul style="list-style-type: none"> <li>-External water tank is full</li> <li>-Not enough water</li> </ul>
Vibrations	<ul style="list-style-type: none"> <li>-Check to ensure that the ice maker is level.</li> </ul>
Noise	<ul style="list-style-type: none"> <li>-The rattling noise may come from the flow of the refrigerant, which is normal.</li> <li>-As each cycle ends, you may hear gurgling sounds caused by the flow of refrigerant in your Ice Maker.</li> <li>-Contraction and expansion of the inside walls may cause popping and crackling noises.</li> <li>-The ice dispensing during every cycle may make a little noise</li> <li>-The water flow noise during ice making is normal operation</li> <li>-The Ice Maker is not level.</li> </ul>
The door will not close properly.	<ul style="list-style-type: none"> <li>-The Ice Maker is not level.</li> <li>-The door was reversed and not properly installed. The gasket is dirty.</li> <li>-The Ice box is out of position.</li> </ul>
Water leakage from ice maker	<ul style="list-style-type: none"> <li>-The water inlet pipe in the back is too loose</li> </ul>

## Wine Cooler, Beverage Center, Ice Maker Refrigerator, Keg Dispenser

### One Year “Limited” Warranty Program

For the periods listed below, XLS Products, Inc. (“Manufacturer”) will either repair or replace defective components in accordance with this Limited Warranty. This warranty is between Manufacturer and the original purchaser and is valid only when accompanied by the original purchaser’s sales receipt showing original date of purchase and location of purchase. Replacements under this warranty revert back to the date of original purchase for future warranty.

Unit Warranty:

1 Year - All components Manufacturer or its authorized retailer can accept or reject warranty claims based on its findings. This warranty applies in normal residential use only, where an issue with the product is due to a defect in material or workmanship. Manufacturer can make substitutions as required of materials, components, and sub-components of comparable value and utility. This warranty is limited to product repair or replacement (to be determined solely by Manufacturer). Warranty return is limited to only the single affected component. Labor is not included.

This warranty covers only manufacturing defects and does not cover normal wear and tear, damage, abuse or misuse, including: water damage, chemical damage, damage during shipment or installation, exposure to extreme heat or cold or abrasion. This item is intended for internal use only. This warranty is invalid if the product is not used for intended purpose. Manufacturer disclaims liability for any aspect of installation and any inconvenience caused by a defective part or component.

Certain items are not covered by this warranty. These include, but are not limited to the following:

1. Components subjected to abuse, including abuse intended to simulate failure.
2. Damages caused by retailer, shipper or user (such as scratches, tears, chips, broken pieces, etc.).
3. Any part which merely exhibits normal wear yet functions essentially as new, including chips, discoloration or scratches.

To make a claim, please call the toll-free number below. Please have available:

- The Model Number and Serial Number of the unit
- A copy of the original sales receipt
- A brief description of the problem.
- Your email address and daytime telephone or cell phone #.

Repairs or replacement will be made at the Manufacturers option. Shipping and handling charges are the responsibility of the consumer.

THIS IS THE ENTIRE EXCLUSIVE EXPRESS LIMITED LIABILITY. THE MANUFACTURER NEITHER MAKES NOR IS RESPONSIBLE FOR ANY OTHER WARRANTIES, EITHER EXPRESS OR IMPLIED, INCLUDING THOSE OF RETAILING DEALERS. THIS EXCLUSIVE REMEDY IS LIMITED TO RECEIPT OF A CREDIT IN CONNECTION WITH THE REPAIR OR REPLACEMENT OF ANY PRODUCT OR COMPONENT DEEMED TO BE DEFECTIVE UNDER THE TERMS AND CONDITIONS AS STATED IN THIS WARRANTY. XLS PRODUCTS, INC., THE PRODUCT MANUFACTURER AND THEIR AGENTS SHALL NOT BE LIABLE IN ANY CASE FOR INCIDENTAL, INDIRECT, SPECIAL OR CONSEQUENTIAL DAMAGES RESULTING FROM THE USE OF THIS PRODUCT OR ARISING OUT OF ANY BREACH OF THIS WARRANTY OR NEGLIGENCE EVEN IF IT HAS BEEN ADVISED OF THE POSSIBILITY OF SUCH DAMAGES. EXCEPT AS OTHERWISE MAY BE REQUIRED BY LAW, THERE ARE NO OTHER EXPRESS OR IMPLIED WARRANTIES OTHER THAN THE WARRANTY DESCRIBED HEREIN, AND ALL OTHER WARRANTIES, INCLUDING ANY IMPLIED WARRANTY OF MERCHANTABILITY OR FITNESS FOR A PARTICULAR PURPOSE ARE EXPRESSLY DISCLAIMED.

Contact Warranty Services at: [CustomerTouch@Cambridge-Products.com](mailto:CustomerTouch@Cambridge-Products.com) 855-727-4659

4/1/2023