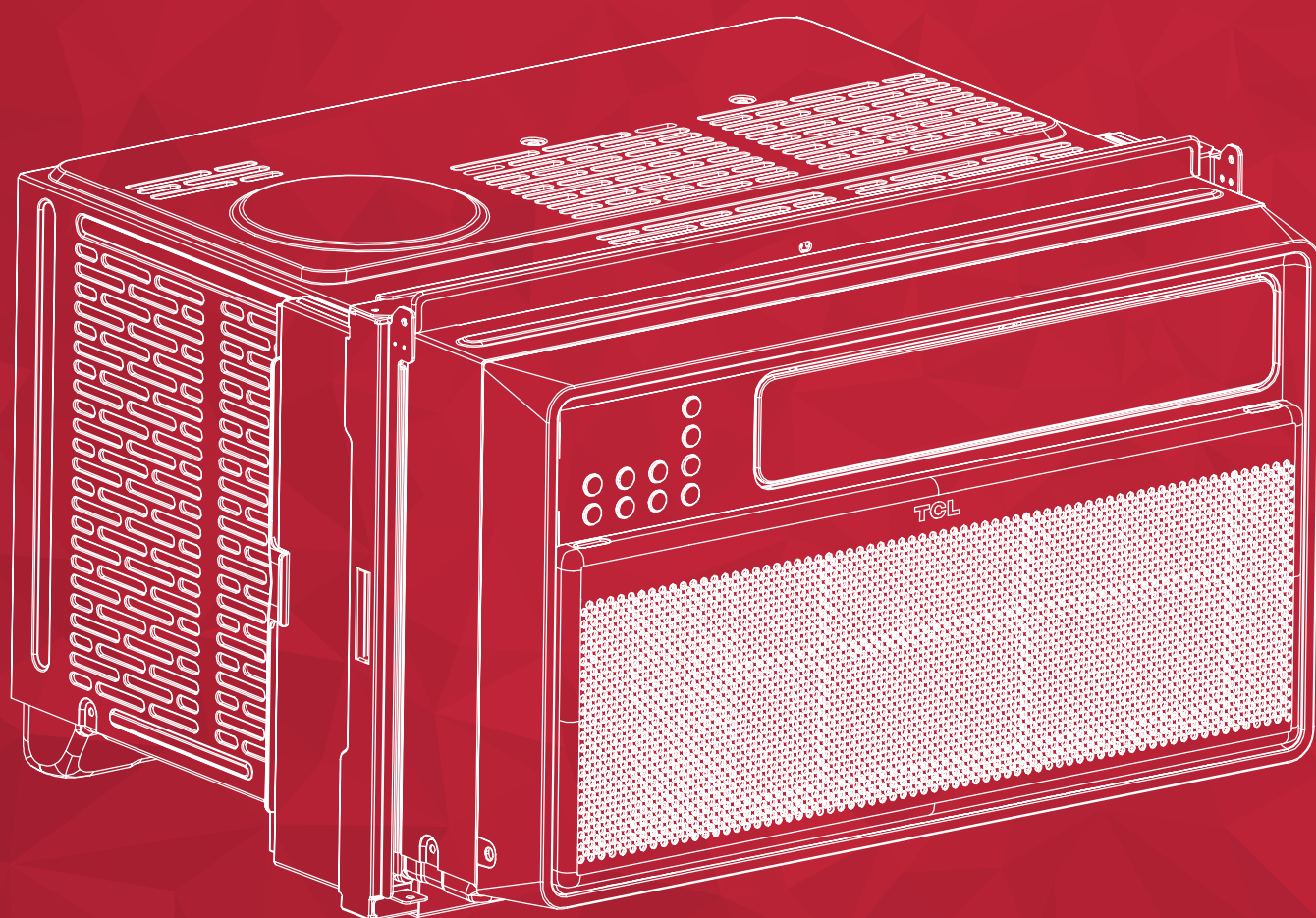


# Hi! Let's Get Started.



Q-Series  
Window Air Conditioner

User Manual

# Table of Contents

## English

Register and Protect Your Purchase .....	3
Important Safety Information (Please Review Before Use) .....	4
What's in the Box .....	7
Setup & Installation .....	8
TCL Home App Setup .....	13
How to Control Your AC .....	15
Maintenance .....	22
Warranty Information .....	23
Troubleshooting .....	24
Specifications .....	25

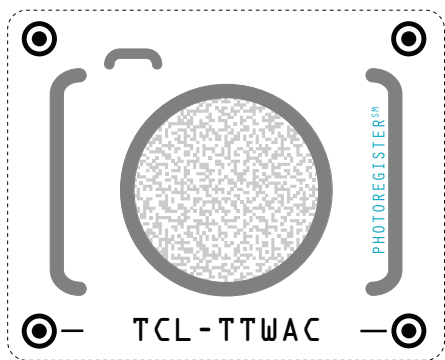
## Español

Registre y Proteja Su Compra .....	27
Información Importante Sobre Seguridad (revisar antes de usar el producto) .....	27
Contenido de la Caja .....	31
Configuración e Instalación .....	32
Configuración de la Aplicación TCL Home .....	37
Cómo Controlar su A/C .....	39
Mantenimiento .....	46
Información Sobre la Garantía .....	47
Resolución de Problemas .....	48
Especificaciones .....	49

## Français

Enregistrez et Protégez Votre Achat .....	51
Informations de Sécurité Importantes (à lire avant utilisation) .....	52
Contenu de la Boîte .....	55
Configuration et Installation .....	56
Configuration de l'application TCL Home .....	61
Comment Contrôler votre Climatiseur .....	63
Entretien .....	70
Informations Sur la Garantie .....	71
Dépannage .....	72
Spécifications .....	73

# Register and protect your purchase



## Register easily with your smartphone

Text a photo of the camera icon to 71403

Or register online at [www.tclusa.com/register](http://www.tclusa.com/register)

**Need help?** Visit [photoregister.com/help](http://photoregister.com/help) or text HELP to 71403

## Add a TCL Protection Plan when you register your product and be covered from life's mishaps

Thank you for choosing TCL. We want your ownership experience to bring you as much joy as the product you purchased does, so we're offering you a special price on TCL Protection Plans when you purchase during registration. Add a TCL Protection Plan within your first 30 days of ownership to receive the best value and we'll make sure nothing gets in the way of you enjoying your new product.

### Benefits & Description

	PROTECT	PLUS
<b>Extended Manufacturer Coverage</b> Extended parts & labor coverage for manufacturer defects.	Up To 4 Years	Up To 4 Years
<b>Priority Service</b> Free shipping and rapid turn-around time.	3-5 Days	3-5 Days
<b>Product Replacement</b> Free 1-time replacement if product cannot be fixed.	+	+
<b>TCL Parts &amp; Service</b> Genuine TCL parts & factory certified service.	+	+
<b>No Deductible</b> \$0 out of pocket expense.	+	+
<b>Accidental Damage Protection</b> Coverage for drops, breaks and spills starts after 30 days.		+

\*Extended service plans (i.e., "Protect" and "Plus" plans) are only offered in the United States (US). All TCL products continue to offer a limited consumer warranty in both the US and Canada. Please refer to the warranty section in this guide for additional details on warranty information.

**IMPORTANT SAFETY INSTRUCTIONS**

Before installing and using your air conditioner, please read this owner's manual carefully. Store this manual in a safe place for future reference. Your safety and the safety of others is very important to us. Please pay attention to all safety messages outlined in this owner's manual.

**WARNING:** To reduce the risk of fire, electrical shock or injury when using your air conditioner, follow the following basic precautions:

**ELECTRICAL REQUIREMENTS**

The electrical ratings for your air conditioner are listed on the model and serial number label located on the front right hand side of the unit (when facing the front).

**REGISTER YOUR APPLIANCE**

You can register your appliance online by going to register.tcl.com  
Be sure to retain your original sales receipt. A valid proof of purchase is required for all warranty claims.


**BATTERY WARNING STATEMENT**

Do not mix old and new batteries and do not mix alkaline, standard (carbon-zinc) or rechargeable (ni-cad, ni-mh, etc.) batteries

Document your model and serial numbers here:

Model # \_\_\_\_\_ Serial # \_\_\_\_\_

You can locate your 20 digit serial number underneath the bar code (On the right hand side of the AC).

<b>WARNING</b>	Specific electrical requirements are shown in the diagram below. Follow the requirements below for the type of plug on the power supply cord.	
<p><b>Electrical Shock Hazard</b>          Plug into a grounded 3 prong outlet.          Do not remove the ground prong.          Do not use an adapter          Do not use an extension cord.          Failure to follow these instructions can result in death, fire, or electrical shock</p>	<b>Wiring Requirements</b>	<b>Power Supply Cord</b>
	<ul style="list-style-type: none"> <li>• 115 Volt (103 min – 127 max)</li> <li>• (5K-8K) (0-8 amps)</li> <li>• (10K-12K) (0-12 amps)</li> <li>• (5-8K) (10 amp time-delay fuse or circuit breaker)</li> <li>• (10K-12K) (15 amp time-delay fuse or circuit breaker)</li> <li>• Use on single outlet circuit only</li> </ul>	<p><small>PREFERRED GROUNDING METHOD</small></p> 

**RECOMMENDED GROUND METHOD**

For your personal safety, this air conditioner must be grounded. This air conditioner is equipped with a 3 prong power supply cord with a grounded plug. To minimize the possibility of electrical shock, the cord must be plugged into a 3 prong outlet and grounded in accordance with all local codes and ordinances. If a 3 prong outlet is not available, it is the customer's responsibility to have a properly grounded 3 prong outlet installed by a qualified electrician.

**FCC CAUTION**

This device complies with part 15 of the FCC Rules. Operation is subject to the following two conditions: (1) This device may not cause harmful interference, and (2) this device must accept any interference received, including interference that may cause undesired operation. Any Changes or modifications not expressly approved by the party responsible for compliance could void the user's authority to operate the equipment.

**Note:** This equipment has been tested and found to comply with the limits for a Class B digital device, pursuant to part 15 of the FCC Rules. These limits are designed to provide reasonable protection against harmful interference in a residential installation. This equipment generates uses and can radiate radio frequency energy and, if not installed and used in accordance with the instructions, may cause harmful interference to radio communications. However, there is no guarantee that interference will not occur in a particular installation. If this equipment does cause harmful interference to radio or television reception, which can be determined by turning the equipment off and on, the user is encouraged to try to correct the interference by one or more of the following measures:

- Reorient or relocate the receiving antenna.
  - Increase the separation between the equipment and receiver.
  - Connect the equipment into an outlet on a circuit different from that to which the receiver is connected.
  - Consult the dealer or an experienced radio/TV technician for help.
- The distance between user and device should be no less than 20cm.

**DO NOT RETURN TO STORE**

**WE ARE  
READY TO  
HELP** contact us first  
with any questions



TCL SUPPORT:  
support.tcl.com/us  
1-800-825-6747



**BE CAREFUL WHEN REMOVING  
THE AIR CONDITIONING UNIT**

# INSTALLATION MANUAL---Important considerations

When compared with other refrigerants, R32 is more environmentally friendly. Please use this product as instructed. This refrigerant is flammable and may combust under certain conditions, however when this product is used as directed these risks are significantly reduced. Always consult with a trained professional when maintaining or repairing an air conditioner.

## Warning

- Please read the manual before installing, using, or conducting maintenance.
- Do not use means to accelerate the defrosting process or to clean, other than those recommended by the manufacturer.
- Be aware that refrigerants may not contain an odor.
- Do not pierce or burn the appliance.
- The appliance shall be stored in a room without continuously operating sources (for example: open flames, an operating ignition gas appliance or an operating electric heater).
- Please contact the nearest after-sale service center when maintenance is necessary. At the time of maintenance, the maintenance personnel must strictly comply with the Operation
- Manual provided by the corresponding manufacturer and any non-professional is prohibited to maintain the air conditioner.
- It is necessary to comply with the provisions of gas-related federal, state, and local laws and regulations.
- It is necessary to clear away the refrigerant in the system when maintaining or recycling an air conditioner by a trained professional.



Warning: flammable  
& Dangerous



Read the user manual



Read the installation  
manual



Read the  
service manual

## Important Considerations

- **The air conditioner you buy must be installed by professional personnel** and the "Installation manual" is used only for the professional installation personnel!
- The installation specifications should be subject to our after-sale service regulations.
- When filling the flammable refrigerant, please use caution to avoid serious injury.
- A leak test must be done after the installation is completed.
- It is a must to perform the safety inspection before maintaining or repairing an air conditioner using flammable refrigerant in order to ensure that the fire risk is reduced to a minimum.
- Requirements for the total weight of filled refrigerant and the area of a room to be equipped with an air conditioner (are shown as in the following Tables GG.1 and GG.2)



## The maximum charge and the required minimum floor area

$m_1 = (4 \text{ m}^3) \times \text{LFL}$  ,  $m_2 = (26 \text{ m}^3) \times \text{LFL}$  ,  $m_3 = (130 \text{ m}^3) \times \text{LFL}$

Where LFL is the lower flammable limit in kg/ m<sup>3</sup>, R290 LFL is 0.038 kg/ m<sup>3</sup>, R32 LFL is 0.038 kg/ m<sup>3</sup>.

### For the appliances with a charge amount $m_1 < M = m_2$ :

The maximum charge in a room shall be in accordance with the following:  $m_{\text{max}} = 2.5 \times (\text{LFL})^{(5/4)} \times h_0 \times (A)^{1/2}$

The required minimum floor area  $A_{\text{min}}$  to install an appliance with refrigerant charge  $M$  (kg) shall be in accordance with following:  $A_{\text{min}} = (M / (2.5 \times (\text{LFL})^{(5/4)} \times h_0))^2$

Where:

$m_{\text{max}}$  is the allowable maximum charge in a room, in kg;

$M$  is the refrigerant charge amount in appliance, in kg;

$A_{\text{min}}$  is the required minimum room area, in m<sup>2</sup>;

$A$  is the room area, in m<sup>2</sup>;

LFL is the lower flammable limit, in kg/m<sup>3</sup>;

$h_0$  is the installation height of the appliance, in meters for calculating  $m_{\text{max}}$  or  $A_{\text{min}}$ , 1.8 m for wall mounted;

**Table GG.1 - Maximum charge (kg)**

Category	LFL (kg/m <sub>3</sub> )	h <sub>0</sub> (m)	Floor area (m <sub>2</sub> )						
			4	7	10	15	20	30	50
R32	0,306	0,6	0,68	0,9	1,08	0,32	1,53	1,87	2,41
		1	1,14	1,51	1,8	2,2	2,54	3,12	4,02
		1,8	2,05	2,71	3,24	3,97	4,58	5,61	7,254
		2,2	2,5	3,31	3,96	4,85	5,6	6,86	8,85

**Table GG.2 - Minimum room area (m2)**

Category	LFL (kg/m <sub>3</sub> )	h <sub>0</sub> (m)	Charge amount (M) (kg) Minimum room area (m2)						
			1,224 kg	1,836 kg	2,448 kg	3,672 kg	4,896 kg	6,12 kg	7,956 kg
R32	0,306	0,6		29	51	116	206	321	543
		1		10	19	42	74	116	196
		1,8		3	6	13	23	36	60
		2,2		2	4	0	15	24	40

## Installation Safety Principles

### 1. Site Safety

Open Flames Prohibited



Ventilation Necessary



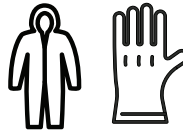
### 2. Operation Safety

Mind Static Electricity



Open Flames Prohibited

Must wear protective clothing and anti-static gloves



Don't use mobile phone



### 3. Installation Safety

- Refrigerant Leak Detector
- Appropriate Installation Location



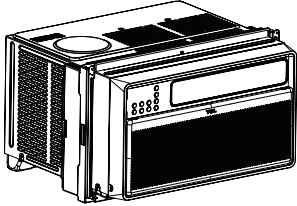



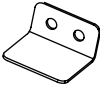




The left picture is the schematic diagram of a refrigerant leak detector.

#### Please note that:

1. The installation site should be in a well-ventilated area.
2. The sites for installing and maintaining an air conditioner using Refrigerant R32 should be free from open fire or welding, smoking, drying oven or any other heat source higher than 548K which easily produces open fire.
3. When installing an air conditioner, it is necessary to take appropriate anti-static measures such as wear anti-static clothing and/or gloves.
4. Installation or maintenance location should not be surrounded by obstacles or close to any heat source, flammable, and/or explosive areas or objects.
5. If the product suffers refrigerant leak during the installation, all personnel should go out till the refrigerant leaks completely for 15 minutes. If the product is damaged, a professional must carry such damaged product back to the maintenance station. It is prohibited to weld the refrigerant pipe or conduct other operations on the contaminated site.
6. The air conditioner unit needs to sit on a flat even surface.
7. It is necessary to avoid the places where there are other electrical products, power switch plugs and sockets, kitchen cabinet, bed, sofa and other valuables directly under the lines on two sides of the indoor unit.
8. Any ventilation openings of unit should be free from obstructions.

## What's in the Box

Open the carton and remove the below parts.

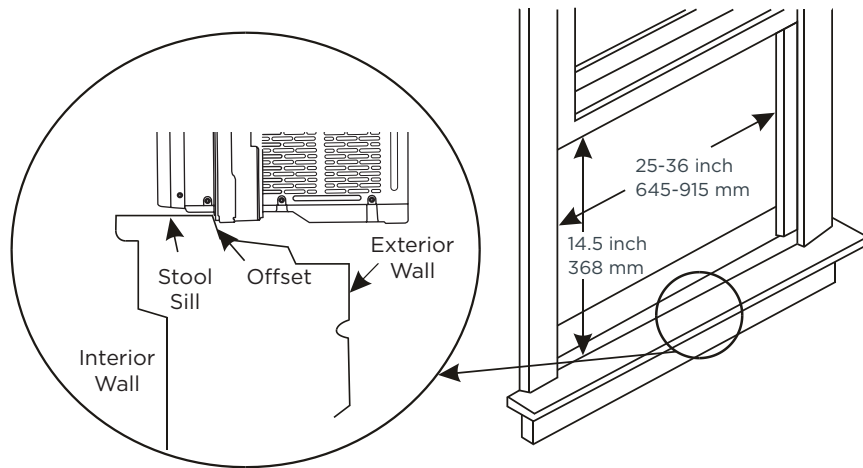
APPEARANCE	PART NAME	QUANTITY
	Window Air Conditioner	1
	Remote Control	1
	Long Foam Seal (Non-Adhesive)	1
	Long Foam Seal (Adhesive)	1
	Security Bracket	1
	$\frac{3}{4}$ " Screw	4
	$\frac{1}{2}$ " Screw	3
	Remote Control Battery	2
	Modelling Material (Plasticene)	1

**Note:** Illustrations in this manual are for explanatory purposes only. Product design and aesthetics may vary. Please search the entire package for the contents listed above as they may be packaged on top or underneath the main AC unit.

# Setup & Installation

## Window Requirements

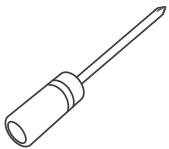
1. This air conditioner is designed to be installed in a standard single-hung or double-hung window with a window width between 25" and 36" (645mm - 915mm).
2. The air conditioner can be installed without the side panels to fit in a narrow window opening. See the window dimensions. If the air conditioner is installed on a window width of 25.39"-28.35" (645-720mm), it must be installed to the right, and the right bracket must be touching the air conditioner (not extended); otherwise, the air conditioner will not operate normally.
3. The lower sash (the lower part of the window that moves up and down) must allow for 14.5" of vertical clearance when open.



4. All supporting parts must be secured to firm wood, masonry, or metal.
5. The electrical outlet must be within reach of the power cord. (Electrical outlets only, no power strips or other outlets allowed.)

**Note:** Store the air conditioner in its product box while not in use.

## Suggested Tools for Installation (Not Included)



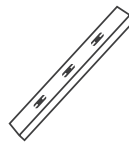
Phillips  
Screwdriver



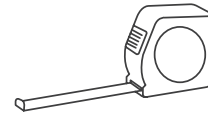
Scissors  
or Knife



Pencil



Level



Tape Measurer  
or Ruler



Drill and  
1/8" Drill Bit



### CAUTION

Heavy object. Team handling is required during the installation process.

# Getting Started

## Step 1: Unboxing

Carefully remove all packaging and wraps from the air conditioner and its accessories.



### CAUTION

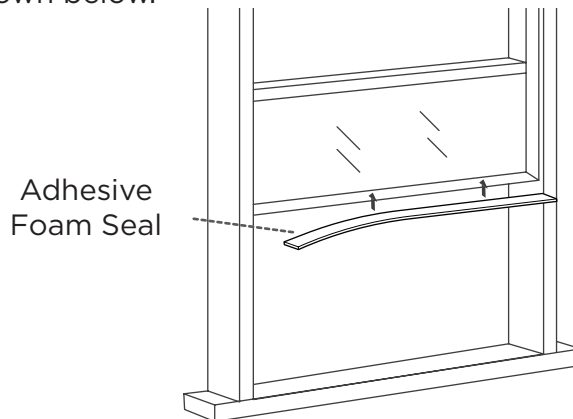
**Heavy object. Team handling is required during the installation process.**

## Step 2: Testing

Before installing your AC, let's test it to make sure it works properly, and your outlet has the proper power level. First, place it on a flat surface, plug it directly into a wall outlet (never use a power strip or other device), and turn it on. Next, use the Mode button on your control panel to change the AC to Cool Mode and press the down arrow to set the temperature to the lowest setting. After 3 minutes, the AC should be blowing cool air. If so, please continue to the next step. If not, see detailed troubleshooting tips at [support.tcl.com/us](http://support.tcl.com/us).

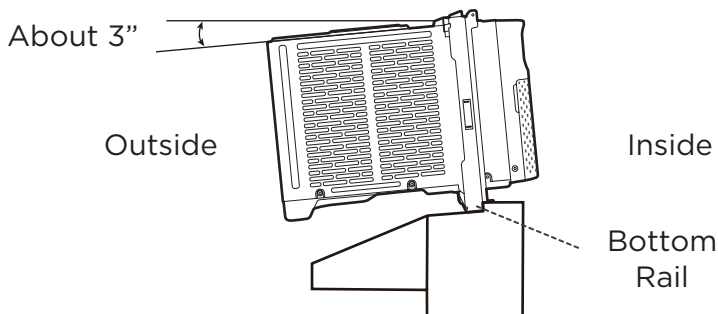
## Step 3: Applying the Adhesive Foam Seal

Measure the length of the upper window frame, trim the adhesive foam seal to the appropriate length, and apply as shown below.



## Step 4: Placing Inside an Open Window

Using team lift, carefully lift the air conditioner and place in the windowsill. Next, close the window, making sure the air conditioner is centered and the bottom rail is flush against the windowsill.



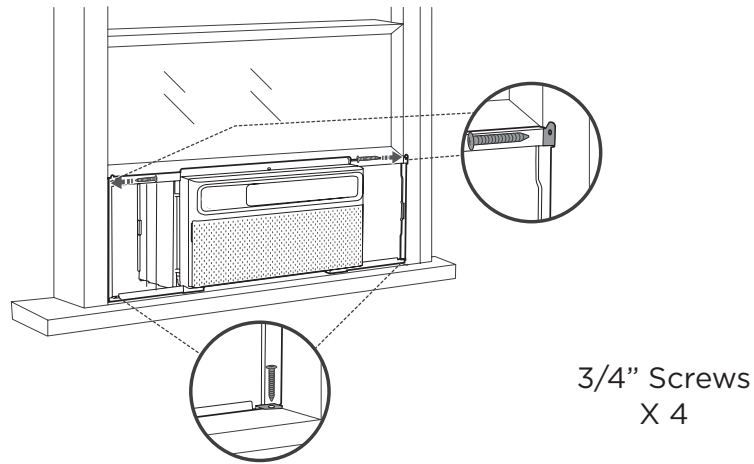
### CAUTION

**Be careful to avoid cuts from the sharp metal edges and aluminum fins on the front and rear coils!**

**Note:** The air conditioner should be tilted about 3° to allow for better drainage of condensate and rainwater. Using a level, measure about 1/3 bubble for the correct slant.

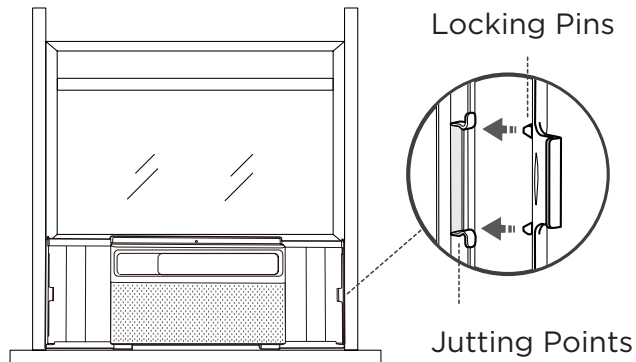
## Step 5: Securing the Side Brackets

Extend the side brackets from both sides of the air conditioner and secure them to the left and right window frames using four  $\frac{3}{4}$ " screws as shown. Make sure to secure the upper screws before securing the lower screws.



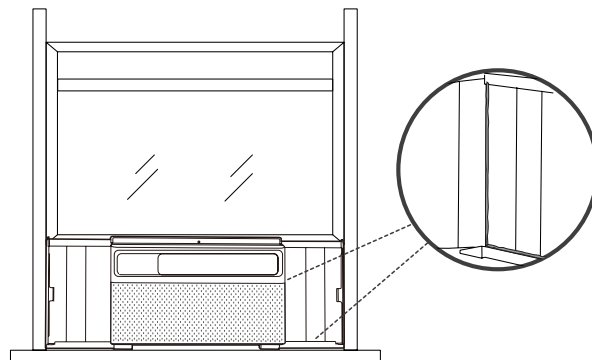
## Step 6: Securing the Side Panels

Pull the side panels inward to align with the side brackets. Then, extend and snap the side panel into place with the side brackets.



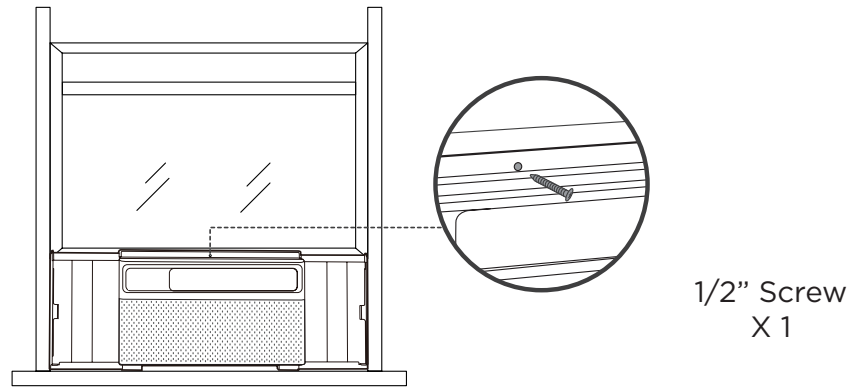
## Step 7: Sealing Any Gaps with Modeling Clay (Plasticene)

Fill any gaps and crevices between the side brackets and panels with the included clay material.



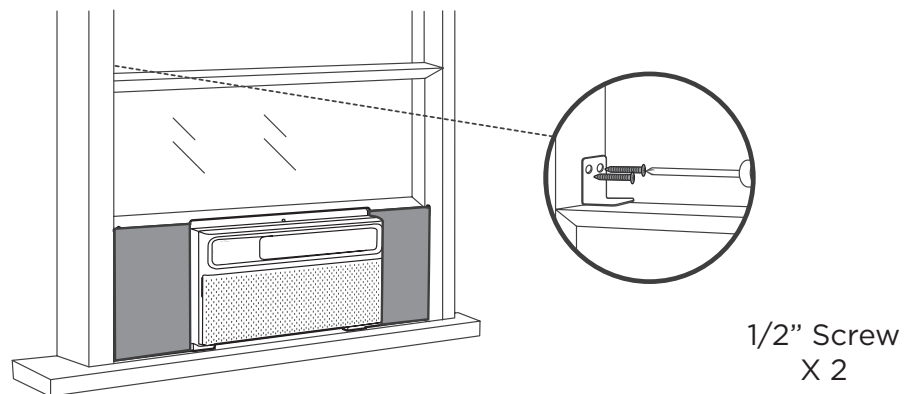
## Step 8: Securing the Screw into the Top Rail

Secure the 1/2" screw into the top rail of the air conditioner.



## Step 9: Installing the Security Bracket (Recommended)

For security purposes, it is recommended to attach the security bracket to the top of the window using two 1/2" screws to prevent opening the window from outside. However, the security bracket can be removed to allow you to open the window when desired.

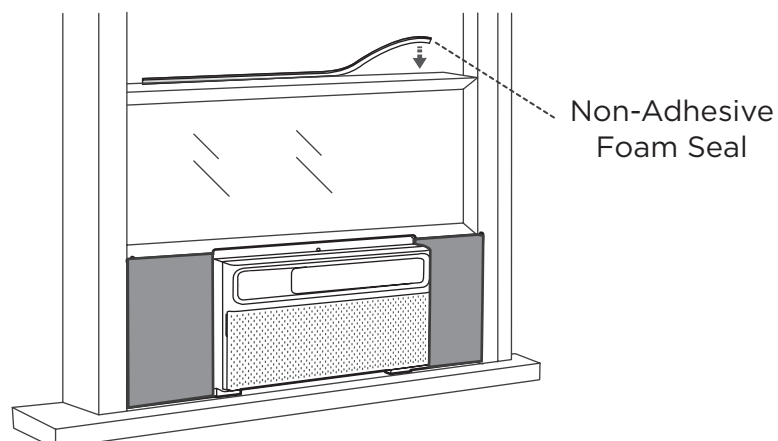


### **WARNING**

**To open the window, the unit must be securely fixed using the four screws from step 5. Please verify that the unit is reliably fixed before opening the window.**

## Step 10: Filling the Gap Between Sashes

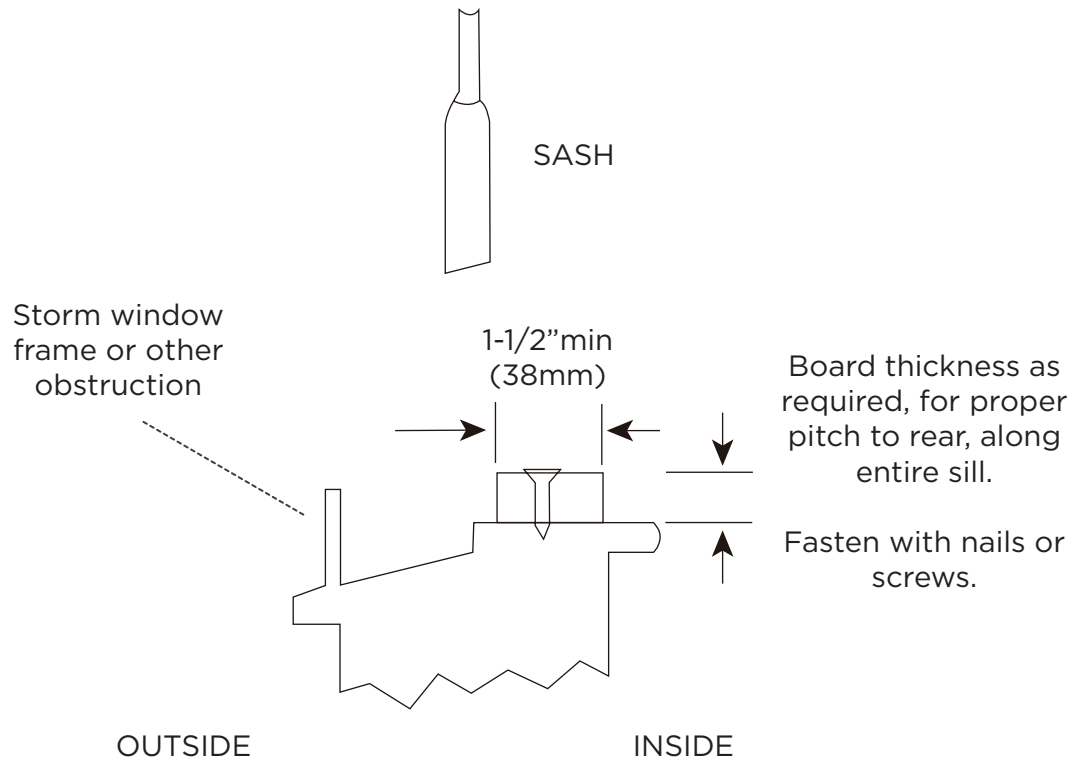
Trim the non-adhesive foam seal to the appropriate length and insert it between the window sashes as shown below.



## If AC is Blocked by Storm Window Frame

Add wood as shown above or remove storm window frame/obstruction before installing the window air conditioner.

If the Storm Window Frame must remain, be sure the drain holes or slots are not caulked or painted shut. Accumulated rainwater or condensation must be allowed to drain out.



### CAUTION

When opening the window, be sure that the fixed screws are secured properly in place without any objects affecting their attachment to the side brackets and associated window frame to prevent the unit from becoming unstable and falling.



# WiFi App Installation

(for WiFi models only)

## TCL Home App Setup (Smart Phone Required)

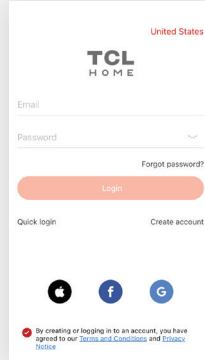
### Step 1: Download & Install the TCL Home App

Scan the QR code below or search for the TCL Home App in the Apple or Google app store. Download and open the app.



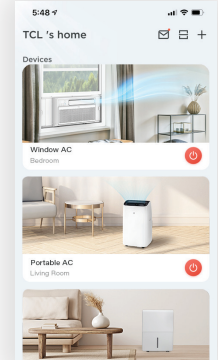
### Step 2: Create an Account

Once you have opened the app, select “Create account.” You will then be sent a verification code to your email. Input the code and continue.



### Step 3: Add Your Device

Select the “Add Devices” button and follow the in-app instructions to complete the setup.



**Note:** The App only supports the 2.4 GHz WiFi band (all routers have a 2.4 GHz band). Please connect to the 2.4 GHz band before you begin the app setup process.

## Matter Setup (Smart Phone OR Smart Speaker Required)

Smart ecosystems and their companion speakers can only support matter when using these versions or newer.

Device	Version
Alexa App	2.2.536317
Alexa Echo Device	9094439556
Android	Google Play: 22.36.15 Google Home: 2.58.24.1
Google Home Hub	1.56.324896
iPhone	iOS 16.5
Apple Home Pod	16.5

**Step 1: Getting Started (For Android & iOS Smart Phones: TCL Home App OR Smart Speakers)**

- Method 1 – Smart Speaker Required: Open the Google or Apple app store on your smart phone and search for your smart speaker’s companion app if not already downloaded (Amazon Alexa, Google Home, SmartThings, Apple Home).
- Method 2: Using the camera function on your smartphone, scan the QR code below or search TCL Home in Google or Apple app store and download the TCL Home App (it does not require the use of a smart speaker and has more features).



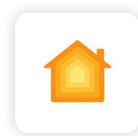
**Note:** The App only supports the 2.4 GHz WiFi band (all routers have a 2.4 GHz band). Please connect to the 2.4 GHz band before you begin the app setup process.

**Step 2: Connect Your Air Conditioner to Matter**

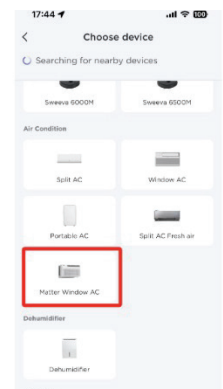
1. Ensure your smart phone and smart speaker are connected to your WiFi network. If you do not have a smart speaker, please use the TCL Home App you downloaded from the previous section.
2. Turn on Bluetooth on your mobile device.
3. Press “Display” or “Eco” 6 times on the remote controller OR press and hold “Mode” & “^” for 3s. The device will beep twice and show “CF” after a few seconds.



4. Open the Amazon Alexa, Google Home, SmartThings, Apple Home or TCL Home app on your mobile device.

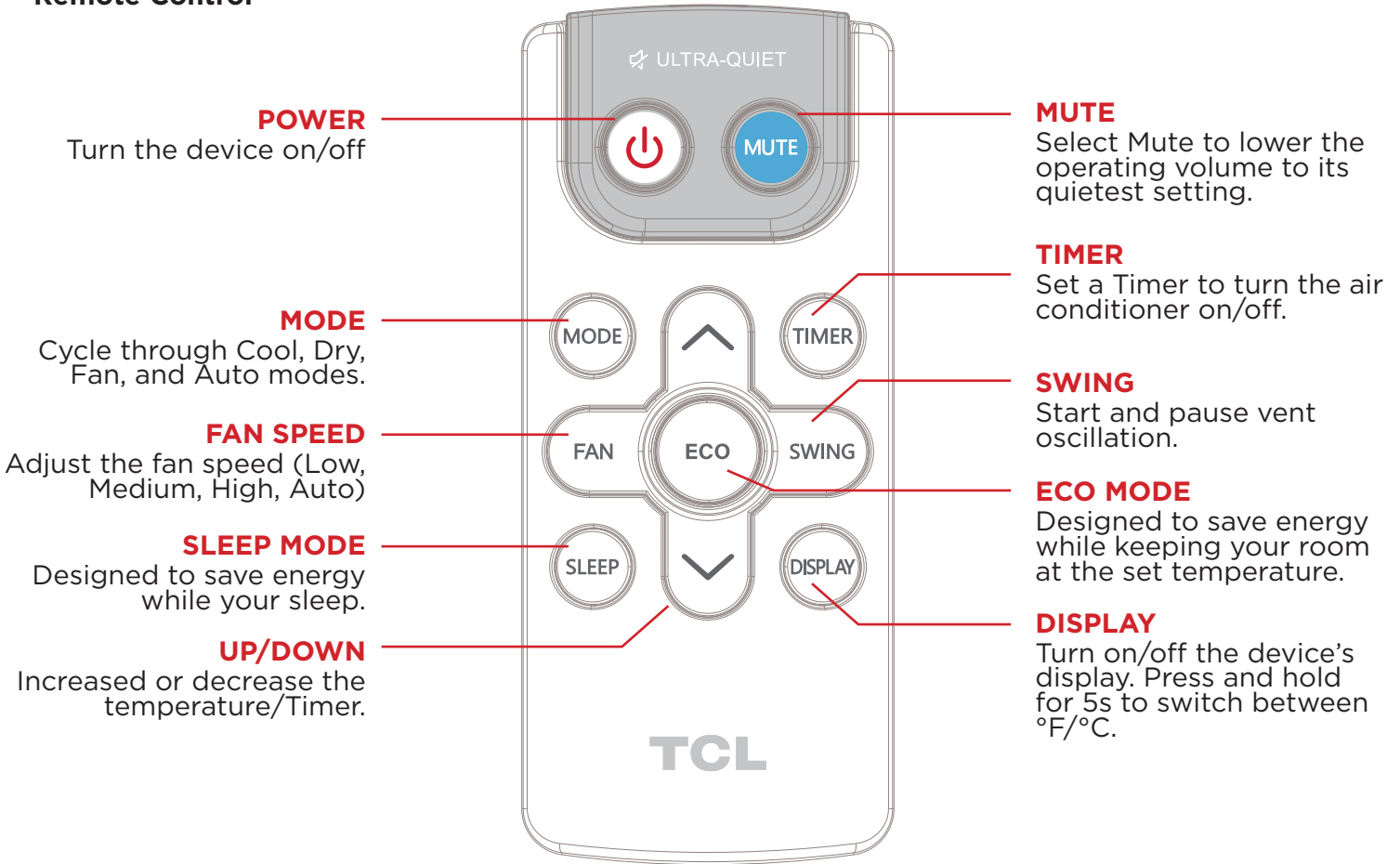


5. Tap the “+” and “Add Device/Accessory” or tap “+Add” in your app, select your Matter device, and scan the Matter QR code found on the side of the device. Then, follow the in-app instructions to complete setup.
- If setting up without a smart speaker using the TCL Home App, please select the device titled “Matter Window AC”. Once completed, you can control your device through the TCL Home App, Smart Assistant App, or Smart Speaker.



# How to Control Your AC

## Remote Control



For more information on how to use the remote and other functions of your air conditioning unit, or to understand how each mode works, please refer to the next few pages.

## Battery Replacement

The air conditioner comes with two batteries for the included remote control. Please be sure to insert them correctly for proper use of the remote.

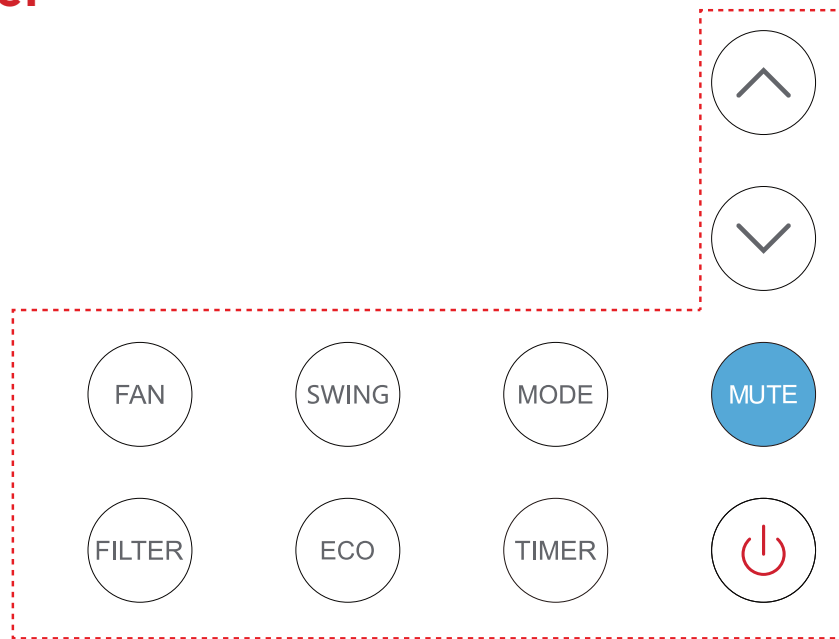
### Note:







- Do not mix old and new batteries, or batteries of different types
- Do not leave batteries in the remote if you do not plan on using the device for more than 2 months
- Follow your local city ordinances for information on proper disposal of old and used batteries. Do not dispose of batteries in unsorted municipal waste.

## Tips for Using the Remote

1. The remote must be used within 26ft of the unit
2. The unit will make a sound when it receives the remote's signal
3. Curtains, other materials, and even direct sunlight can interfere with the infrared signal receiver.
4. Press "MODE" and " ^ " and hold for 3s to reset the wifi setting.



# Control Panel







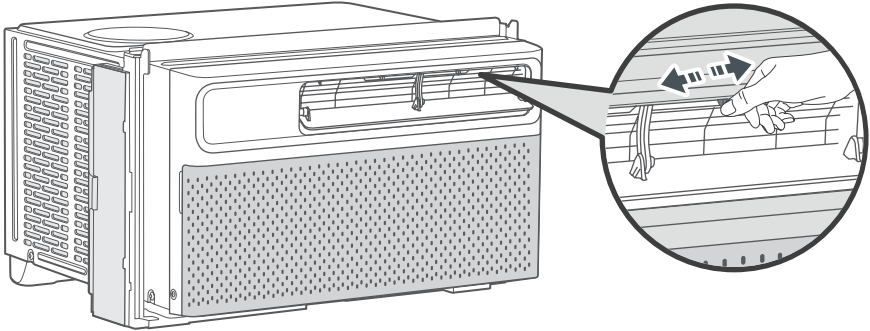

<p>Power</p> 	<p>Turn the AC on and off</p>
<p>Fan Speed</p> 	<p>Adjust the fan speed (Low, Med, High, Auto) Press and hold for 5 seconds to reset filter reminder.</p> <p><b>Note:</b> Fan speed settings are available in Auto, Cool, and Fan modes.</p>
<p>Swing/Oscillation</p> 	<p>Adjust the direction of airflow by swinging the vent vertically. Press and hold for 3 seconds to turn on/off Eco mode.</p>
<p>Decrease</p> 	<p>Decrease temperature level</p>
<p>Increase</p> 	<p>Increase temperature level</p>
<p>Mode Selection</p> 	<p>Switch between Cool/Dry/Fan/Auto modes</p>

# LED Display








COOL DRY FAN AUTO MODE	Indicates Cool, Dry, Fan, and Auto mode, respectively.
	Indicates the unit is in Sleep mode.
	Indicates that there is a WiFi connection
LOW MED HIGH AUTO	Indicates Low, Medium, High, and Automatic fan speeds, respectively.

## General Operations

<p>Power</p> 	<p>Turn the AC on and off</p>
<p>Increase</p> 	<p>Press to increase the temperature by 1 °F/°C.</p>
<p>Decrease</p> 	<p>Press to decrease the temperature by 1 °F/°C.</p>
<p>Swing/Oscillation</p> 	<p>Press to make the vent swing up and down. While moving, press again to stop the vent at a desired angle. Press and hold for 3 seconds to turn on/off Eco mode.</p> <p><b>Note:</b> To adjust the airflow direction horizontally, manually move the levers located on the top of the air outlet from side to side. Also, do not adjust the large vertical vent by hand as it may cause damage</p> 
<p>Fan Speed</p> 	<p><b>Adjust Fan Speed</b> Press repeatedly to adjust the fan speed between Low, Medium, High, and Auto.</p> <p><b>Reset Filter Reminder</b> Press and hold for 5 seconds to reset the filter reminder. To clean the filter, see the maintenance section of this manual.</p>

**Note:** In Auto mode, the fan speed will adapt to the room's temperature. In Dry mode, the fan speed cannot be adjusted.

<p>Mode Selection</p> 	<p><b>Press repeatedly to cycle through Cool, Dry, Fan, and Auto modes.</b></p> <p><b>Cool Mode</b></p> <ul style="list-style-type: none"> <li>• The AC cools the room to the set temperature.</li> <li>• Temperature and fan speed are adjustable.</li> </ul> <p><b>Dry Mode</b></p> <ul style="list-style-type: none"> <li>• The AC works as a dehumidifier to remove excess humidity in the air. The fan runs constantly but at a low speed.</li> <li>• Temperature and fan speed are not adjustable.</li> </ul> <p><b>Fan Mode</b></p> <ul style="list-style-type: none"> <li>• The AC circulates air like a normal fan. Remember to keep the vent open during the fan function but closed during the cooling function to maximize the cooling efficiency.</li> <li>• Fan speed can be adjusted to Low, Med, and High. <ul style="list-style-type: none"> <li>• Temperature cannot be adjusted.</li> </ul> </li> </ul> <p><b>Auto Mode</b></p> <ul style="list-style-type: none"> <li>• The AC adjust between Cool and Fan modes automatically based on the room's temperature.</li> <li>• Temperature and fan speed cannot be adjusted.</li> </ul>
<p>Timer (On Remote Control)</p> 	<p>When the air conditioner is on or in standby, press the Timer button and its icon will flash on the LED display. During the flashing process, press + or - to select a timer from 0 to 24 hours, then press the Timer button again to confirm the setting.</p> <p>After the timer ends, the air conditioner will start/stop running automatically.</p> <p>Turning the air conditioner ON or OFF at any time or adjusting the timer setting to 0.0 hour will cancel the timer program.</p>
<p>Eco (On Remote Control)</p> 	<p>In Eco mode, when the desired temperature is reached, the compressor will turn off and the fan will continue to run for 3 minutes before turning off.</p> <p>The fan will turn on for 1-minute at every 5-minute interval until the room temperature is above the set temperature, at which time the compressor turns back on and continues cooling.</p>

<p>Sleep (On Remote Control)</p> 	<p>In Sleep mode, the air conditioning temperature will increase by 2 degrees in 1 hour (1 degree every 30 minutes), then the temperature will remain constant for 7 hours at which the temperature will return to the initial temperature.</p> <p><b>NOTE:</b> Button sounds are muted, and all display indicator lights turn off after 15 seconds except for the Sleep mode indicator.</p>
<p>LED Display (On Remote Control)</p> 	<p>Turn on/off the display Press and hold for 5 seconds to switch between °F/°C.</p>

## Other Features

### Filter Reminder

When the running time reaches 500 hours, the filter reminder will light up to indicate the filter needs to be cleaned. Press and hold the Filter button for 5 seconds to reset the filter reminder. Please see the maintenance section of this manual for filter cleaning instructions.

### Display Auto Off

- Display will dim after 30 seconds (or after 15 seconds in sleep mode)
- Wake up the display by pressing any button

### Memory

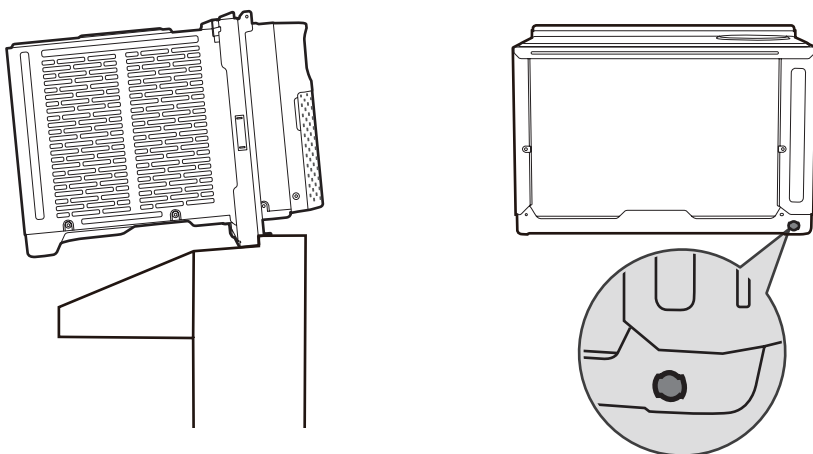
If the air conditioner is turned off but stays connected to the power, it will resume the previous settings (except the timer setting) when it is turned on again.

### Drain Water

This unit was designed to collect moisture from condensation in a collection pan in the base of the unit. The collected water is distributed by the rear fan on to the condenser coil. This aids in the overall efficiency of the unit.

It is normal to hear the water sloshing around when the fan is spinning.

If this behavior is not desired, the drain cap at the rear of the AC can be removed to drain a portion of the water. Doing so may lessen the efficiency of the AC. A minimal amount of water will still remain in the drain pan.



# Maintenance

## Care and Cleaning

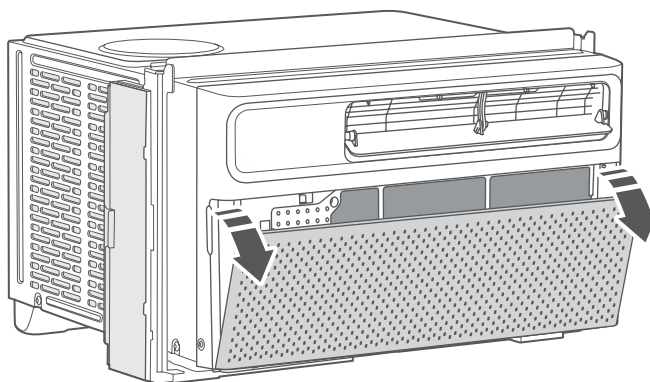
Clean your air conditioner occasionally to keep it looking new. Before cleaning, be sure to unplug the unit from any and all power sources to prevent electric shock or fire hazards.

## Air Filter

The air filter should be checked at least once every month to see if it needs cleaning. Never use hot water over 104°F (40°C) to clean the air filter. Never attempt to operate the unit without the air filter. Trapped particles and dust can build up over time, which can result in decreased airflow and can cause the coils to accumulate frost. To clean the air filter:

1. Pull the grille out from the indents on both sides at the front and remove the filter inside.
2. Wash the filter using liquid dish soap and warm water. Rinse the filter thoroughly. Gently shake the filter to remove excess water.
3. Let the filter dry completely before placing it into the air conditioner.

**Note:** If you do not wish to wash the filter, you may vacuum the filter to remove the dust and other particles.



## Cabinet Cleaning

To clean the air conditioner's cabinet:

- Using a cloth dampened in a solution of warm water and mild liquid soap, wipe down the unit and the front panel. Then, using a clean dampened cloth, make sure to wipe down the unit to remove all excess soap and continue to dry.
- Never use harsh cleaners, wax, or polish on the cabinet front.
- Be sure to wring out excess water from the cloth before wiping round the control. Excess water may damage the unit.

## Storage

If you want to store the unit when not in use, we recommend removing the drain plug at the back of the unit and slightly tilting the unit towards the rear to drain any water in the pan in a safe manner. Next, clean the unit and then store it back in the original packaging or box until next use.

# Troubleshooting

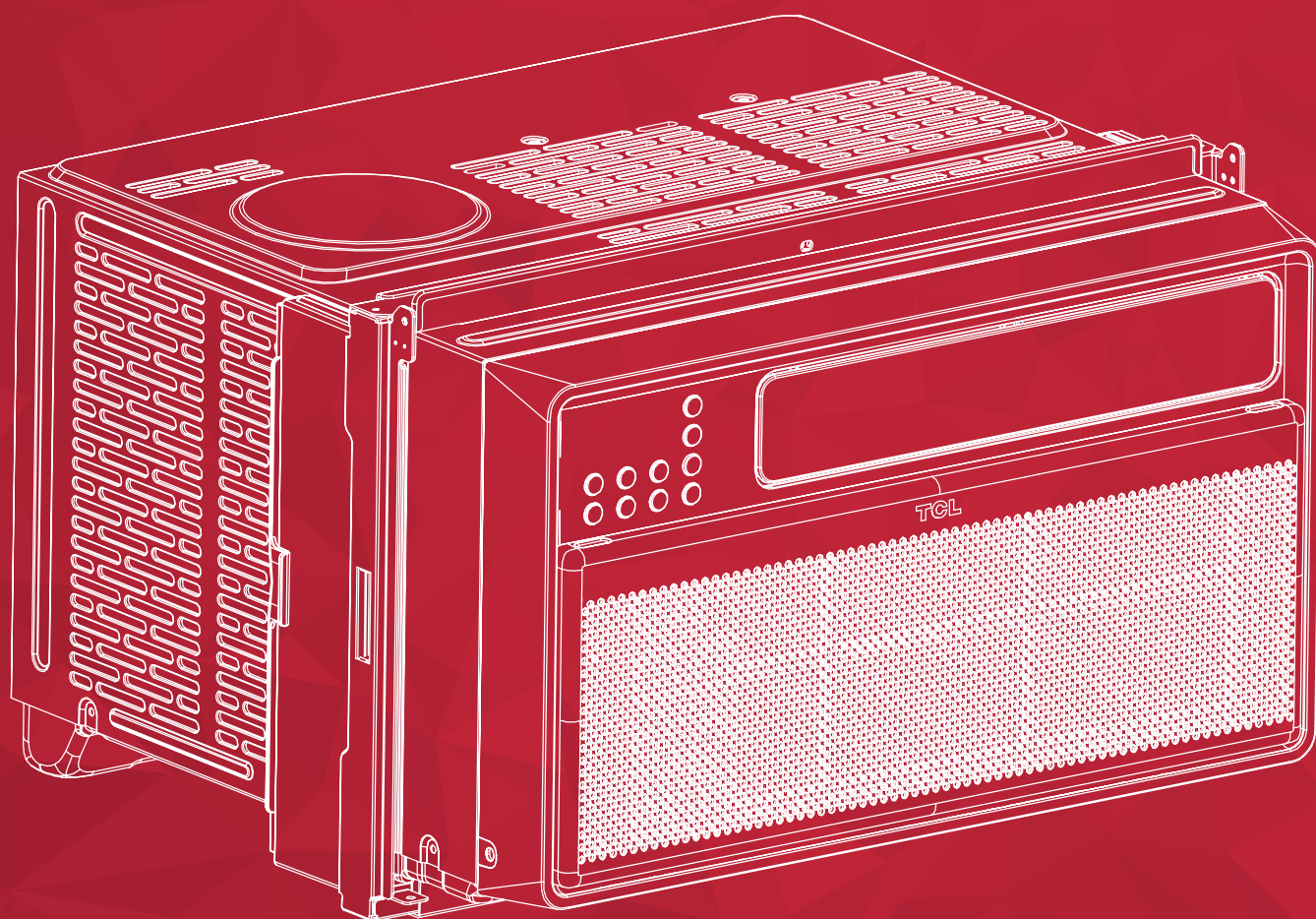
PROBLEM	POSSIBLE CAUSES	SOLUTIONS
<b>The air conditioner will not start</b>	The air conditioner is unplugged	Make sure the air conditioner plug is pushed completely into the outlet.
	The fuse is blown/circuit breaker is tripped	Check the house fuse/circuit breaker box and replace the fuse or reset the breaker.
	Power failure	<ul style="list-style-type: none"> <li>The unit will automatically restart when power is restored.</li> <li>There is a protective time delay (approx. 3 minutes) to prevent tripping and overloading the compressor. For this reason, the unit may not start normal cooling for 3 minutes after it is turned back on.</li> </ul>
	The current interrupter device is tripped	<ul style="list-style-type: none"> <li>Press the RESET button located on the power cord plug.</li> <li>If the RESET button will not stay engaged, discontinue use of the air conditioner and contact a qualified service technician.</li> </ul>
<b>The air conditioner does not cool as it should</b>	Air flow is restricted	Make sure there are no curtains, blinds or furniture blocking the front of the air conditioner.
	The temperature control may not be set correctly.	Lower the set thermostat temperature.
	The air filter is dirty	Clean the filter. Refer to MAINTENANCE.
	The room may be too warm	Please allow time for the room to cool down after turning on the air conditioner.
	Cold air is escaping	Check for open furnace registers and cold air returns.
	The cooling coils are frozen	Switch to high fan speed and set the thermostat to a higher temperature.
	Temperature sensor is not well situated.	Temperature sensor behind the air filter is touching the coil. Try to move it so it does not contact the cold coil.
<b>The air conditioner is freezing up</b>	Ice blocks the air flow and stops the air conditioner from cooling the room	Switch to high fan speed and set the thermostat to a higher temperature.
<b>The remote control is not working</b>	The batteries are inserted incorrectly	Check the position of the batteries.
	The batteries may be dead	Replace the batteries.
<b>Water is dripping outside</b>	Hot and humid weather	This is normal.

<b>Water is dripping INSIDE when the unit is cooling</b>	The air conditioner is not correctly tilted outside	Improper installation. Tilt air conditioner slightly to the outside to allow water drainage. Refer to installation instructions.
<b>Water is dripping INSIDE when the unit is cooling</b>	Moisture removed from the air is draining into the base pan	This is normal for a short period in areas with low humidity and normal for a longer period in areas with high humidity
<b>Noise when the unit starts</b>	A "da-da" sound may occur for 30 seconds when the unit is turned on due to the compressor starting.	This is normal.

## Specifications

<b>Model</b>	H8W25WQ
<b>Refrigerant</b>	R32
<b>Cooling Capacity</b>	8,000 BTu/h
<b>Rated Voltage</b>	115V
<b>Rated Frequency</b>	60Hz
<b>Rated Input</b>	740W
<b>Rated Current</b>	8.3A
<b>CEER</b>	15 (Btu/h)W
<b>Recommended Applicable Area</b>	≤ 350 ft <sup>2</sup>
<b>Dimensions</b>	22.99 X 18.81 X 13.97 in / 584 X 478 X355 mm
<b>Weight</b>	61.7 lb / 28 kg

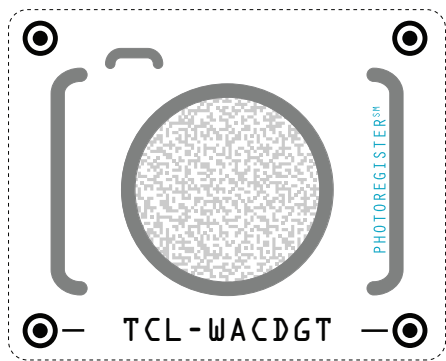
# ¡Hola! Comencemos.



Serie Q  
Acondicionador de Aire de Ventana

Manual de Usuario

# Registre y proteja su compra



## Regístrese fácilmente con su teléfono inteligente

Envíe un mensaje de texto con una foto del icono de la cámara al 71403

O regístrese en línea en [www.tclusa.com/register](http://www.tclusa.com/register)

¿Necesita ayuda? Visite [photoregister.com/help](http://photoregister.com/help) o envíe un mensaje de texto que diga HELP al 71403

Agregue un Plan de protección de TCL cuando registre el producto, a fin de contar con cobertura contra los contratiempos que la vida presenta.

Gracias por elegir TCL. Queremos que disfrute de la experiencia de propiedad tanto como disfruta del producto adquirido, por lo que, cuando realice la compra, le ofreceremos un precio especial en planes de protección de TCL durante el registro. Agregue un Plan de protección TCL dentro de los primeros 30 días de ser propietario para recibir el mejor valor y nos aseguraremos de que nada se interponga en el camino para que disfrute de su nuevo producto.

## Beneficios y descripción

### PROTECT

### PLUS

#### Cobertura extendida del fabricante

Cobertura ampliada de piezas y mano de obra por defectos de fabricación.

Hasta 4 años

Hasta 4 años

#### Servicio prioritario

Envío gratuito y tiempo de respuesta rápido.

De 3 a 5 días

De 3 a 5 días

#### Reemplazo del producto

1 reemplazo gratuito si el producto no se puede reparar.



#### Piezas y servicio TCL

Piezas TCL originales y servicio certificado de fábrica.



#### No deducible

\$0 de gastos de bolsillo.



#### Protección contra daños accidentales

La cobertura para caídas, roturas y derrames comienza después de 30 días.



\*Los planes de servicio extendido (es decir, los planes "Protect" y "Plus") solo se ofrecen en los Estados Unidos (EE. UU.). Todos los productos de TCL continúan ofreciendo una garantía limitada al consumidor tanto en los EE. UU. como en Canadá. Consulte la sección de garantía de esta guía para obtener más información sobre la garantía.

## INSTRUCCIONES IMPORTANTES DE SEGURIDAD

Antes de instalar y usar su aire acondicionado, lea detenidamente este manual. Conserve este manual en un lugar seguro para futuras consultas. Su seguridad y la de los demás son muy importantes para nosotros.

Por favor, preste atención a todos los mensajes de seguridad descritos en este manual.

**ADVERTENCIA:** Para reducir el riesgo de incendio, descarga eléctrica o lesiones al usar su aire acondicionado, ajústese a las siguientes precauciones básicas:

### REQUISITOS ELÉCTRICOS

Las clasificaciones eléctricas para su acondicionador de aire se detallan en la etiqueta del modelo y el número de serie, ubicados en el lado frontal izquierdo de la unidad (vista de frente).

### REGISTRE SU APARATO

Puede registrar su dispositivo en línea, visitando [register.tcl.com](http://register.tcl.com). Asegúrese de conservar su recibo de compra original. Se requiere un comprobante de compra válido para todos los reclamos de garantía.

Documente aquí su modelo y números de serie:

Nº de modelo \_\_\_\_\_ Nº de serie \_\_\_\_\_

Puede ubicar su número de serie de 20 dígitos debajo del código de barras (En el lado izquierdo del sistema de aire acondicionado).

### ADVERTENCIA

Los requisitos eléctricos específicos se muestran en el siguiente diagrama. Cumpla los siguientes requisitos en relación al tipo de enchufe en el cable de alimentación.

#### Peligro de Descarga Eléctrica

Enchufar a un tomacorrientes de 3 terminales con conexión a tierra.

No quite el terminal de tierra.

No use un adaptador

No utilice un cable alargador.

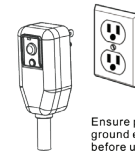
No seguir estas instrucciones puede provocar la muerte, un incendio o una descarga eléctrica.

#### Requerimientos del Cableado

- 5K - 115 voltios (103 mín - 127 máx)
- 5K - (0-8 amp)
- 5K - (fusible de retardo de 10 amp o disyuntor)
- Usar solo en un circuito de salida individual

#### Cable de Alimentación

PREFERRED  
GROUNDING METHOD



### MÉTODO DE PUESTA A TIERRA RECOMENDADO

Para su seguridad personal, este aire acondicionado debe estar conectado a tierra.

Este aire acondicionado está equipado con un cable de alimentación de 3 terminales con un enchufe con conexión a tierra. Para minimizar la posibilidad de descarga eléctrica, el cable debe enchufarse a un tomacorrientes de 3 clavijas y conectarse a tierra de acuerdo con todos los códigos y ordenanzas locales. Si no hay disponible un tomacorrientes de 3 terminales, es responsabilidad del cliente que un electricista calificado instale un tomacorrientes de 3 terminales debidamente conectado a tierra.

## NO LO DEVUELVA A LA TIENDA

# ESTAMOS LISTOS PARA AYUDAR

contáctenos primero con cualquier pregunta



ASISTENCIA TCL:  
[support.tcl.com/us](http://support.tcl.com/us)  
1-800-825-6747



## CUIDADO CUANDO RETIRE LA UNIDAD DE AIRE ACONDICIONADO

# MANUAL DE INSTALACIÓN: consideraciones importantes

En comparación con otros refrigerantes, el R32 es más ecológico. Utilice este producto según las instrucciones. Este refrigerante es inflamable y puede hacer combustión en ciertas circunstancias; sin embargo, cuando se utiliza este producto como se indica, estos riesgos se reducen significativamente. Consulte siempre con un profesional capacitado cuando realice el mantenimiento o la reparación de un aire acondicionado.

## Advertencia

- Lea el manual antes de instalar o usar el aire acondicionado, o antes de llevar a cabo el mantenimiento.
- No acelere el proceso de descongelación ni lleve a cabo la limpieza con métodos distintos de los recomendados por el fabricante.
- Tenga en cuenta que los refrigerantes pueden ser inodoros.
- No perfore ni queme el aparato.
- El aparato debe almacenarse en un ambiente libre de fuentes en funcionamiento continuo (por ejemplo: llamas abiertas, un aparato de encendido a gas en funcionamiento o un calentador eléctrico en funcionamiento).
- Póngase en contacto con el centro de servicio posventa más cercano cuando sea necesario realizar un mantenimiento. Cuando se realice el mantenimiento, el personal de mantenimiento debe cumplir rigurosamente con el manual de operación proporcionado por el fabricante correspondiente; queda prohibido que personas no profesionales realicen el mantenimiento del aire acondicionado.
- Es necesario cumplir con las disposiciones de las leyes y normas federales, estatales y locales relativas al gas.
- Es necesario que un profesional capacitado elimine el refrigerante del sistema cuando realice el mantenimiento de un aire acondicionado.



Advertencia: inflamable y peligroso



Lea el manual de usuario



Lea el manual de mantenimiento



Lea el manual de mantenimiento

## Consideraciones importantes

- **El aire acondicionado que compre debe ser instalado por personal** profesional y el "Manual de instalación" está destinado solo al personal de instalación profesional. Las especificaciones de instalación deben estar sujetas a nuestras normas de servicio posventa.
- Cuando llene el aire acondicionado con el refrigerante inflamable, tenga cuidado para evitar lesiones graves.
- Se debe realizar una prueba de fugas después de que se complete la instalación.
- Es imprescindible realizar una inspección de seguridad antes de realizar el mantenimiento o la reparación de un aire acondicionado que utilice refrigerante inflamable para garantizar que el riesgo de incendio se reduzca al mínimo.
- Requisitos según el peso total del refrigerante lleno y la superficie del cuarto que se equipará con un aire acondicionado (se muestran en las siguientes tablas GG.1 y GG.2)



## Carga máxima y superficie mínima de suelo requerida

$m_1 = (4 \text{ m}^3) \times \text{LFL}$ ,  $m_2 = (26 \text{ m}^3) \times \text{LFL}$ ,  $m_3 = (130 \text{ m}^3) \times \text{LFL}$

Donde LFL es el límite inferior de inflamabilidad en kg/m<sup>3</sup>, de modo que el LFL del R290 es 0,038 kg/m<sup>3</sup>, y el LFL del R32 es 0,038 kg/m<sup>3</sup>.

### Para aparatos con una cantidad de carga de $m_1 < M = m_2$ :

La carga máxima en un cuarto debe corresponderse con lo siguiente:  $m_{\text{máx.}} = 2,5 \times (\text{LFL})^{(5/4)} \times h_0 \times (A)^{1/2}$

La superficie de suelo mínima requerida ( $A_{\text{mín}}$ ) para instalar un aparato con carga de refrigerante  $M$  (kg) debe corresponderse con lo siguiente:  $A_{\text{mín.}} = (M / [2,5 \times (\text{LFL})^{(5/4)} \times h_0])^2$

#### Donde:

$m_{\text{máx.}}$  es la carga máxima permitida en un cuarto, en kg;  $M$  es la cantidad de carga de refrigerante en el aparato, en kg;

$A_{\text{mín}}$  es la superficie mínima requerida del cuarto, en m<sup>2</sup>;  $A$  es la superficie del cuarto, en m<sup>2</sup>;

LFL es el límite inferior de inflamabilidad, en kg/m<sup>3</sup>;

$h_0$  es la altura de instalación del aparato, en metros, para calcular  $m_{\text{máx.}}$  o  $A_{\text{mín.}}$  (1,8 m para el montaje en paredes).

**Tabla GG.1: carga máxima (kg)**

Categoría	LFL (kg/m <sub>3</sub> )	h <sub>0</sub> (m)	Superficie del suelo (m <sub>2</sub> )						
			4	7	10	15	20	30	50
R32	0,306	0,6	0,68	0,9	1,08	0,32	1,53	1,87	2,41
		1	1,14	1,51	1,8	2,2	2,54	3,12	4,02
		1,8	2,05	2,71	3,24	3,97	4,58	5,61	7,254
		2,2	2,5	3,31	3,96	4,85	5,6	6,86	8,85

**Tabla GG.2: superficie mínima del cuarto (m<sub>2</sub>)**

Categoría	LFL (kg/m <sub>3</sub> )	h <sub>0</sub> (m)	Cantidad de carga (M) (kg) Superficie mínima del cuarto (m <sub>2</sub> )						
			1,224 kg	1,836 kg	2,448 kg	3,672 kg	4,896 kg	6,12 kg	7,956 kg
R32	0,306	0,6		29	51	116	206	321	543
		1		10	19	42	74	116	196
		1,8		3	6	13	23	36	60
		2,2		2	4	0	15	24	40

## Principios de seguridad para la instalación

### 1. Seguridad del sitio

Llamas abiertas prohibidas



Ventilación necesaria



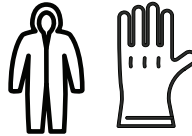
### 2. Seguridad para la operación

Tenga cuidado con la electricidad estática



Llamas abiertas prohibidas

Debe usar vestimenta de protección y guantes antiestáticos



No debe usar el teléfono móvil



### 3. Seguridad para la instalación

- Detector de fugas de refrigerante
- Lugar de instalación apropiado



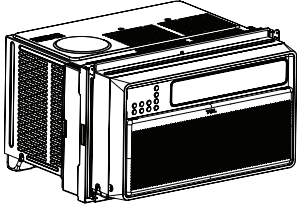



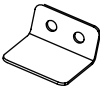


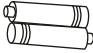
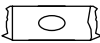
La imagen izquierda es de un detector de fugas de refrigerante.

### Tenga en cuenta lo siguiente:

1. El sitio de instalación debe estar en un área bien ventilada.
2. Los sitios de instalación y mantenimiento de un aire acondicionado que utilice el refrigerante R32 deben estar libres de fuego abierto, soldaduras, cigarrillos encendidos, hornos de secado o cualquier otra fuente de calor superior a 548 °C que produzcan fuego abierto con facilidad.
3. Al instalar un aire acondicionado, es necesario tomar las medidas antiestáticas adecuadas, como usar vestimenta o guantes antiestáticos.
4. El lugar de instalación o mantenimiento no debe estar rodeado de obstáculos ni cerca de ninguna fuente de calor, áreas u objetos inflamables o explosivos.
5. Si el producto sufre una fuga de refrigerante durante la instalación, todo el personal debe salir del lugar durante 15 minutos, hasta que el refrigerante se filtre por completo. Si el producto está dañado, un profesional debe llevar dicho producto dañado a la estación de mantenimiento. Está prohibido soldar la tubería del refrigerante o realizar otras operaciones en el sitio contaminado.
6. La unidad de aire acondicionado debe colocarse sobre una superficie plana y uniforme.
7. Es necesario evitar los lugares donde haya otros productos eléctricos, enchufes y tomas de energía, gabinetes de cocina, camas, sofás y otros objetos de valor directamente debajo de las líneas a los dos lados de la unidad interior.
8. Las aberturas de ventilación de la unidad deben estar libres de obstrucciones.

## Contenido de la Caja

Abra la caja y retire las piezas siguientes.

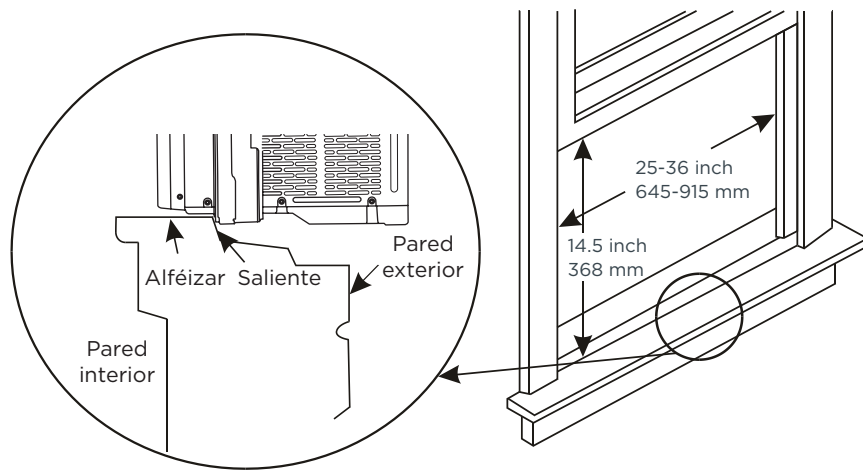
LA APARIENCIA	NOMBRE DE LA PARTE	CANTIDAD
	Aire acondicionado para ventana	1
	Control remoto	1
	Sello de espuma largo (no adhesivo)	1
	Sello de espuma largo (adhesivo)	1
	Soporte de seguridad	1
	$\frac{3}{4}$ " Tornillo	4
	$\frac{1}{2}$ " Tornillo	3
	Batería del control remoto	2
	Material de modelado (plastilina)	1

**Nota:** Las ilustraciones de este manual son solamente explicativas. El diseño y la estética del producto pueden variar. Busque en todo el paquete el contenido de la lista anterior, pues puede estar empaquetado arriba o debajo de la unidad de A/C.

# Configuración e Instalación

## Requisitos de la Ventanas

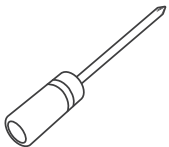
1. Este aire acondicionado está diseñado para ser instalado en una ventana estándar de una o dos hojas con un ancho de ventana de entre 25 in y 36 in (645 mm - 915 mm).
2. El aire acondicionado se puede instalar sin los paneles laterales para que quepan en una ventana estrecha. Consulte las dimensiones de la ventana. Si el acondicionador de aire está instalado en una ventana de 25.39"-28.35" (645-720 mm) de ancho, debe instalarse a la derecha y el soporte derecho debe tocar el acondicionador de aire (no extendido); de lo contrario, el acondicionador de aire no funcionará normalmente.
3. La hoja inferior (la parte inferior de la ventana que se mueve hacia arriba y hacia abajo) debe permitir un espacio libre vertical de 14.5 in cuando esté abierta.



4. Todas las piezas de soporte deben estar fijadas a madera firme, mampostería o metal.
5. El tomacorriente debe estar al alcance del cable de alimentación.  
(Solo tomacorrientes, no se deben usar extensiones ni otras tomas).

**Nota:** Guarde el aire acondicionado en la caja del producto mientras no lo use.

## Herramientas Sugeridas para la Instalación (no incluidas)



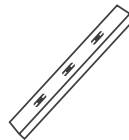
Destornillador  
Phillips



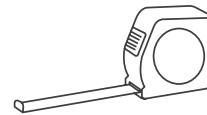
Tijeras o  
cuchillo



Lápiz



Nivel



Cinta métrica  
o regla



Taladro y broca  
de 1/8 in



### PRECAUCIÓN

**Objeto pesado. Se requiere la entrega del equipo durante el proceso de instalación.**

# Cómo Empezar

## Paso 1: Desembalaje

Retire con cuidado todos los empaques y envolturas del aire acondicionado y sus accesorios.



### PRECAUCIÓN

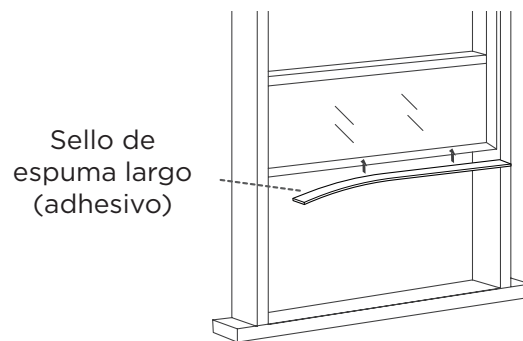
**Tenga cuidado para evitar cortes con los bordes metálicos afilados y las aletas de aluminio de las bobinas delantera y trasera.**

## Paso 2: Prueba

Antes de instalar el A/C, pruébelo para asegurarse de que funcione adecuadamente y de que su tomacorriente tenga la salida de alimentación adecuada. Primero, colóquelo en una superficie plana, conéctelo directamente a un tomacorriente de pared (no use una extensión u otro dispositivo) y enciéndalo. A continuación, use el botón Mode en su panel de control para cambiar el A/C al modo Cool y presione la flecha hacia abajo para establecer la temperatura en el ajuste más bajo. Después de 3 minutos, el A/C debería estar soplando aire fresco. Si es así, continúe con el siguiente paso. Si no es así, consulte los consejos detallados de resolución de problemas en [support.tcl.com](http://support.tcl.com).

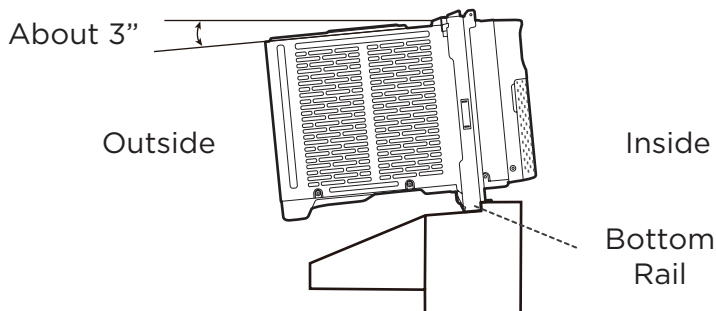
## Paso 3: Aplicación del Sello de Espuma Adhesivo

Mida la longitud del marco superior de la ventana, recorte el sello de espuma adhesivo a la longitud adecuada y aplíquelo como se muestra a continuación.



## Paso 4: Colocación Dentro de una Ventana Abierta

Con un elevador de equipo, levante con cuidado el aire acondicionado y colóquelo en el alféizar. Luego, cierre la ventana y asegúrese de que el aire acondicionado esté centrado y que el riel inferior esté alineado contra el alféizar de la ventana.



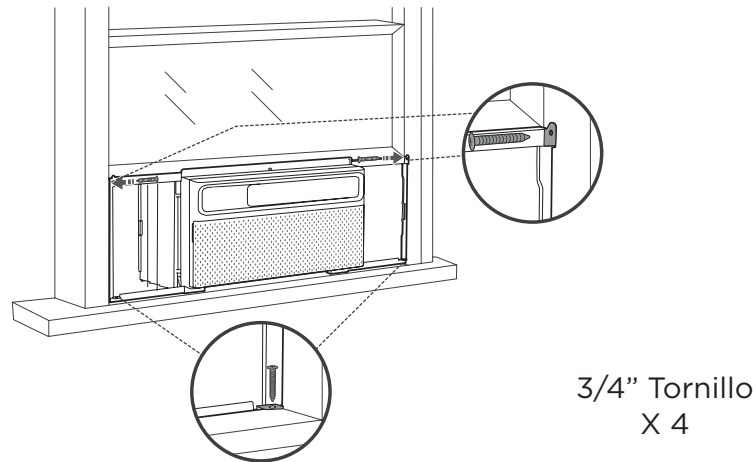
### CUIDADO

**Tenga cuidado para evitar cortes con los bordes metálicos afilados y aletas de aluminio en las bobinas delantera y trasera.**

**Note:** El aire acondicionado debe inclinarse aproximadamente 3° para permitir un mejor drenaje de la condensación y el agua de lluvia. Con un nivel, mida aproximadamente 1/3 de burbuja para la inclinación correcta.

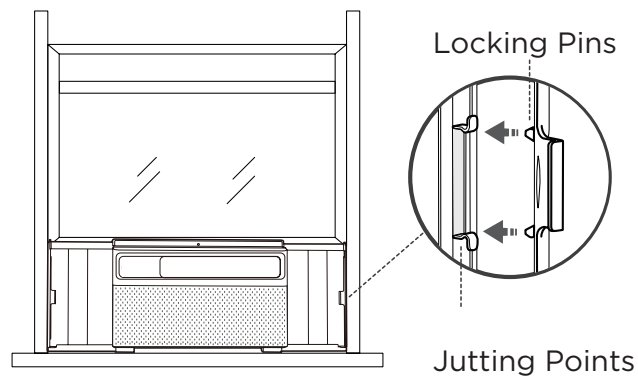
## Paso 5: Aseguración de los Soportes Laterales

Extienda los soportes laterales desde ambos lados del aire acondicionado y asegúrelos a los marcos de la ventana izquierdo y derecho con los cuatro tornillos de  $\frac{3}{4}$ " como se muestra. Asegúrese de ajustar los tornillos superiores antes de ajustar los tornillos inferiores.



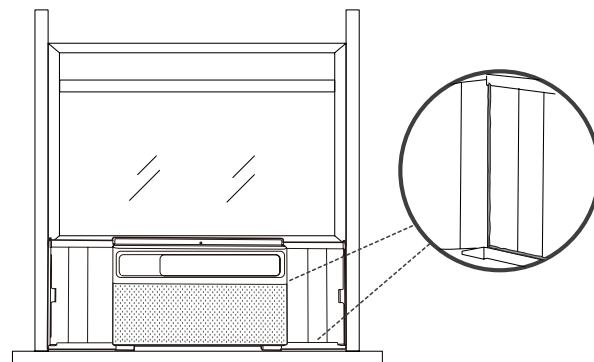
## Paso 6: Aseguración de los Paneles Laterales

Jale de los paneles laterales hacia adentro para alinearlos con los soportes laterales. Luego, extienda y ajuste el panel lateral en su lugar con los soportes laterales.



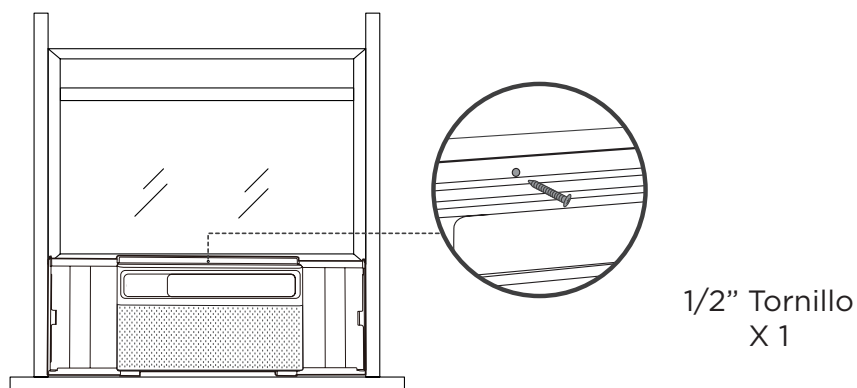
## Paso 7: Sellado de Cualquier Agujero Con Arcilla Modeladora (plastilina)

Llene todos los agujeros y grietas entre los soportes laterales y los paneles con el material de arcilla incluido.



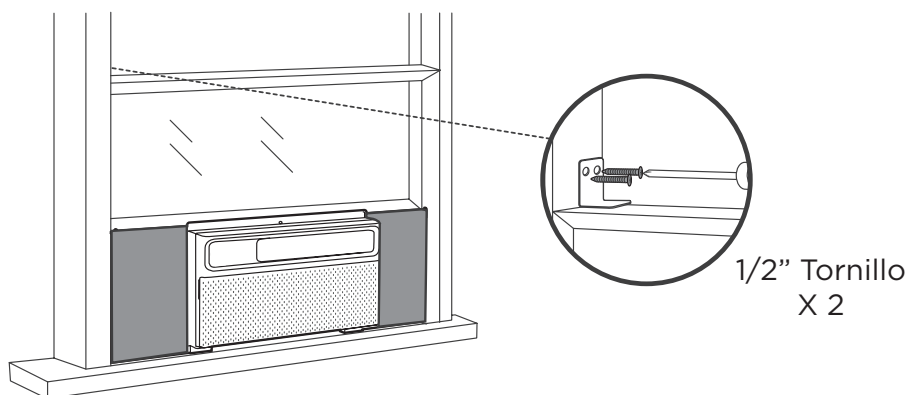
## Paso 8: Aseguración del Tornillo en el riel Superior

Asegure el tornillo de 1/2" en el riel superior del aire acondicionado.



## Paso 9: Instalación del Soporte de Seguridad (recomendado)

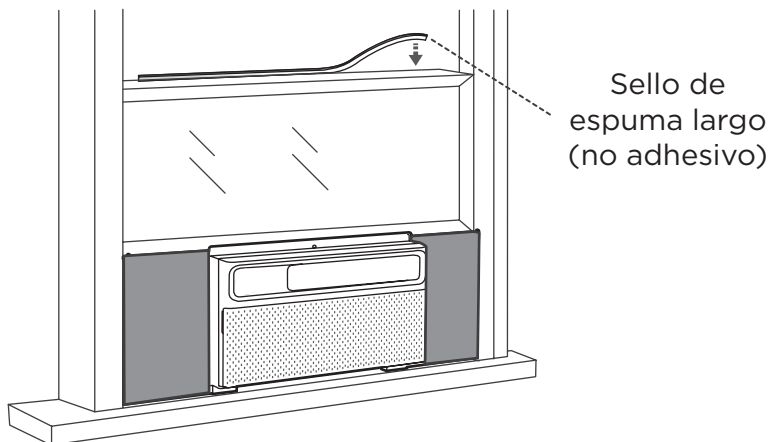
Por motivos de seguridad, se recomienda colocar el soporte de seguridad en la parte superior de la ventana con dos tornillos de 1/2" para evitar que se abra la ventana desde afuera. Sin embargo, el soporte de seguridad se puede quitar para que pueda abrir la ventana cuando lo desee.



**ADVERTENCIA**  
Para abrir la ventana, la unidad debe fijarse de forma segura utilizando los cuatro tornillos del paso 5. Verifique que la unidad esté fijada de manera confiable antes de abrir la ventana.

## Paso 10: Rellenar el Espacio Entre las Hojas

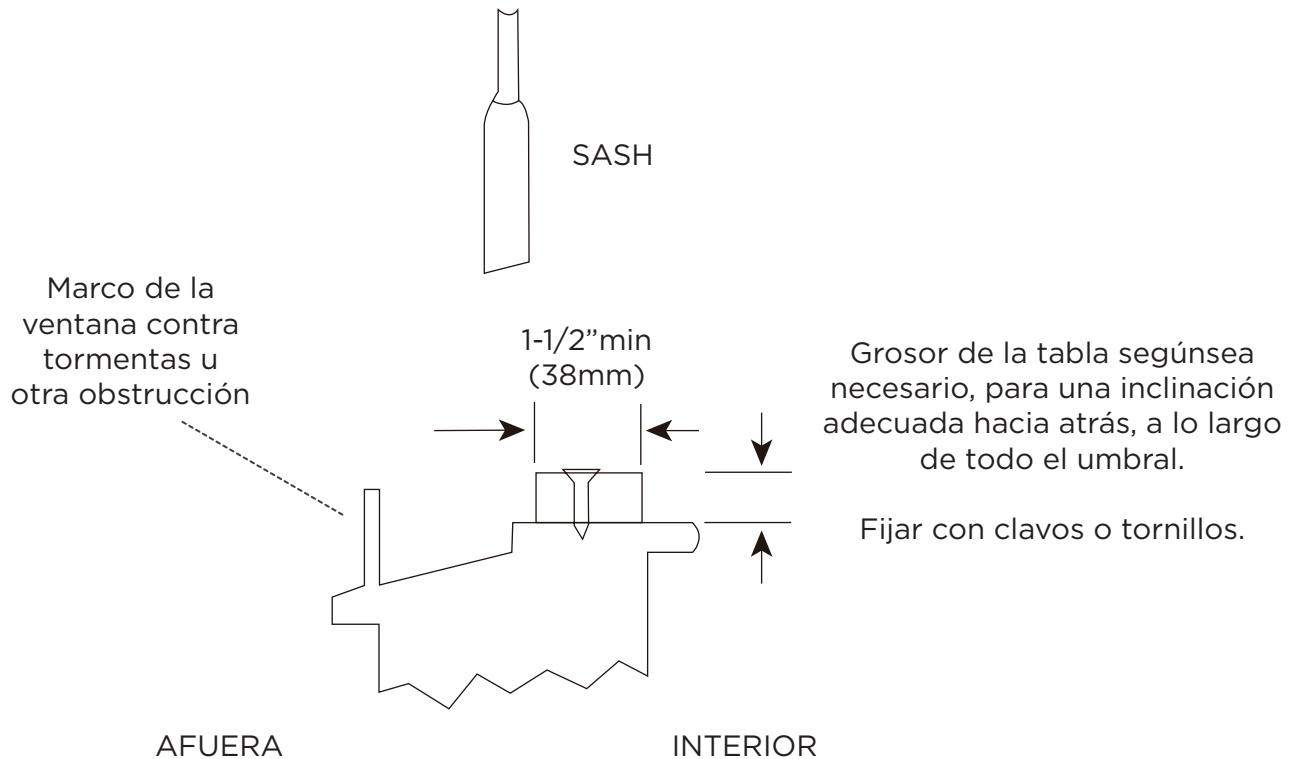
Recorte el sello de espuma no adhesivo a la longitud adecuada e insértelo entre los marcos de la ventana como se muestra a continuación.



## Si el Marco de la Ventana de Tormenta Bloquea el A/C

Agregue madera como se muestra arriba o quite el marco o la obstrucción de la ventana antes de instalar el aire acondicionado de la ventana.

Si el marco de la ventana de tormenta debe permanecer, asegúrese de que los agujeros o las ranuras de drenaje no están sellados ni pintados. El agua de lluvia acumulada o la condensación deben poder drenarse.



### PRECAUCIÓN

**Al abrir la ventana, asegúrese de que los tornillos fijos estén bien fijados en su lugar sin que ningún objeto afecte su fijación a los soportes laterales y al marco de ventana asociado para evitar que la unidad se vuelva inestable y caiga.**



# Instrucciones de la aplicación WiFi

(solo para modelos WiFi)

## Configuración de la aplicación TCL Home (Se requiere un teléfono inteligente)

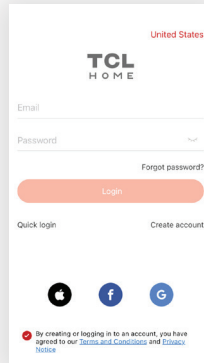
### Paso 1: Descargar e instalar la aplicación TCL Home

Escanee el código QR a continuación o busque la aplicación TCL Home en la tienda de aplicaciones de Apple o Google. Descargue y abra la aplicación.



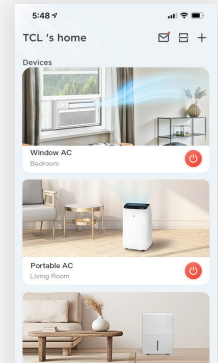
### Paso 2: Crear una cuenta

Una vez que haya abierto la aplicación, seleccione “Crear cuenta”. Luego se le enviará un código de verificación a su correo electrónico. Ingrese el código y continúe.



### Paso 3: Agregar su dispositivo

Seleccione el botón “Agregar dispositivos” y siga las instrucciones en la aplicación para completar la configuración.



**Nota:** La aplicación solo admite la banda WiFi de 2.4 GHz (todos los enrutadores tienen una banda de 2.4 GHz). Conéctese a la banda de 2.4 GHz antes de comenzar el proceso de configuración de la aplicación.

## Configuración de Matter (Se requiere un teléfono inteligente o un altavoz inteligente)

Los ecosistemas inteligentes y sus altavoces compañeros solo admiten Matter al usar estas versiones o más recientes.

Dispositivo	Versión
Alexa App	2.2.536317
Alexa Echo Device	9094439556
Android	Google Play: 22.36.15 Google Home: 2.58.24.1
Google Home Hub	1.56.324896
iPhone	iOS 16.5
Apple Home Pod	16.5

## Paso 1: Empezar

(Para teléfonos inteligentes Android e iOS: Aplicación TCL Home o Altavoces Inteligentes)

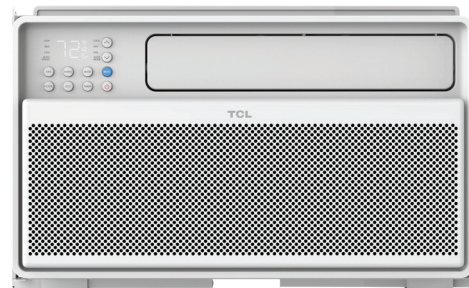
- Método 1: Se requiere altavoz inteligente: Abra la tienda de aplicaciones de Google o Apple en su teléfono inteligente y busque la aplicación compañera de su altavoz inteligente si aún no la ha descargado (Amazon Alexa, Google Home, SmartThings, Apple Home).
- Método 2: Utilizando la función de la cámara en su teléfono inteligente, escanee el código QR a continuación o busque TCL Home en la tienda de aplicaciones de Google o Apple y descargue la aplicación TCL Home (no requiere el uso de un altavoz inteligente y tiene más funciones).



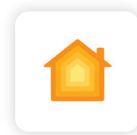
**Nota:** La aplicación solo admite la banda WiFi de 2.4 GHz (todos los enrutadores tienen una banda de 2.4 GHz). Conéctese a la banda de 2.4 GHz antes de comenzar el proceso de configuración de la aplicación.

## Paso 2: Conectar su aire acondicionado a Matter

1. Asegúrese de que su teléfono inteligente y su altavoz inteligente estén conectados a su red WiFi. Si no tiene un altavoz inteligente, utilice la aplicación TCL Home que descargó en la sección anterior.
2. Encienda el Bluetooth en su dispositivo móvil.
3. Presione “Display” o “Eco” 6 veces en el control remoto O presione y mantenga presionados “Mode” y “^” durante 3 segundos. El dispositivo sonará dos veces y mostrará “CF” después de unos segundos.

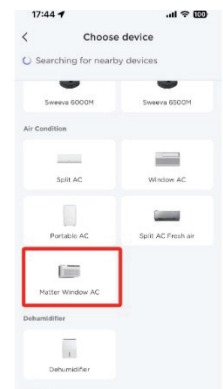


4. Abra la aplicación Amazon Alexa, Google Home, SmartThings, Apple Home o TCL Home en su dispositivo móvil.



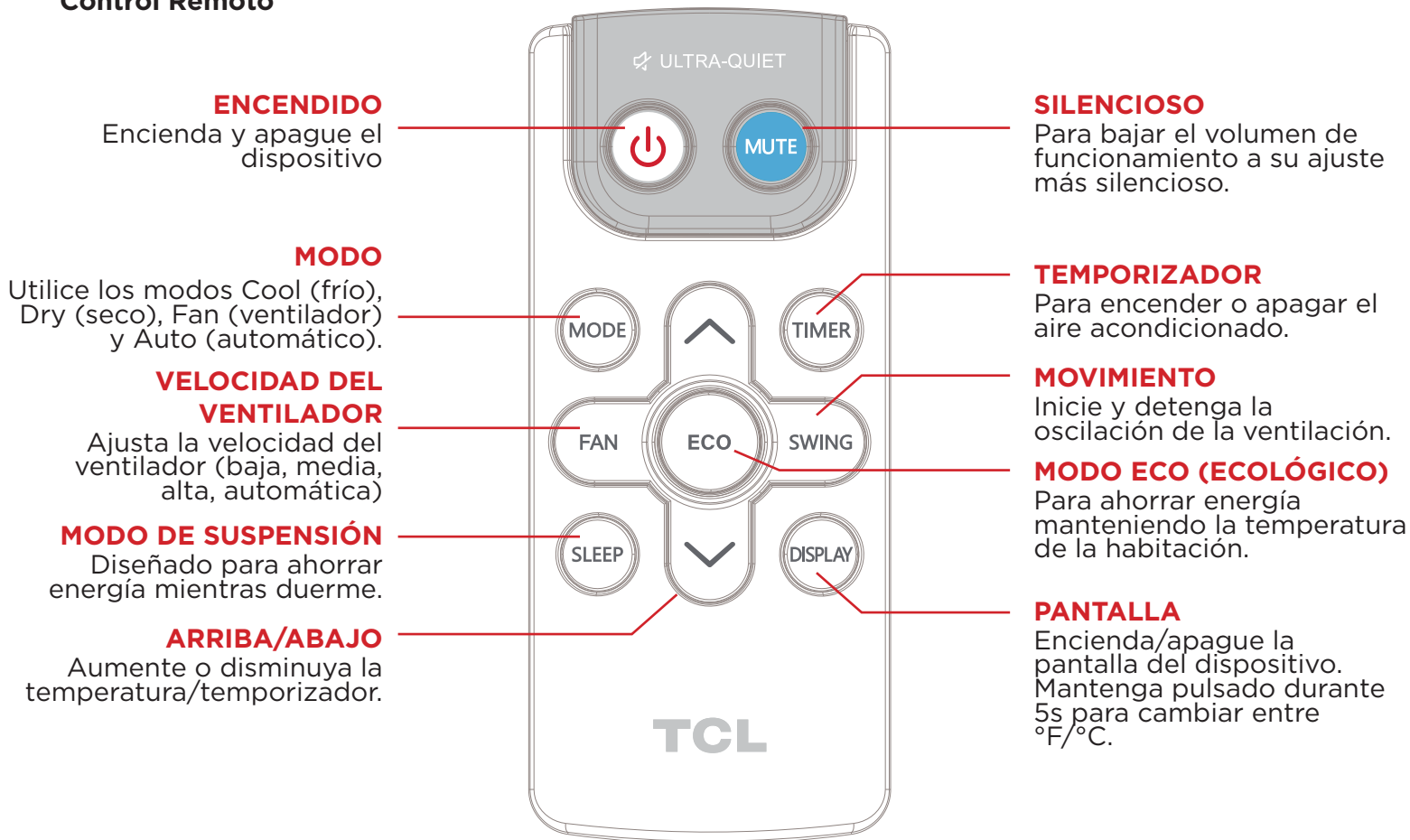
5. Toque el “+” y “Agregar dispositivo/accesorio” o toque “+Agregar” en su aplicación, seleccione su dispositivo Matter y escanee el código QR de Matter que se encuentra en el lateral del dispositivo. .

- Si está configurando sin un altavoz inteligente utilizando la aplicación TCL Home, seleccione el dispositivo titulado “Matter Window AC”. Una vez completado, puede controlar su dispositivo a través de la aplicación TCL Home, la aplicación de asistente inteligente o el altavoz inteligente.



# Cómo Controlar su A/C

## Control Remoto



Para obtener más información sobre cómo usar el control remoto y otras funciones de la unidad de aire acondicionado, o para comprender cómo funciona cada modo, consulte las siguientes páginas.

## Cambio de la Batería

El aire acondicionado viene con dos baterías para el control remoto incluido. Asegúrese de insertarlas correctamente para el uso adecuado del control.

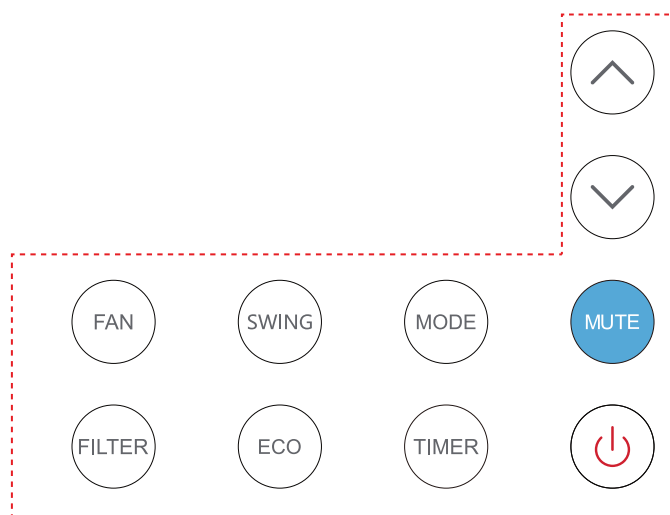
### Nota:







- No mezcle baterías antiguas y nuevas, ni baterías de diferentes tipos.
- No deje las baterías en el control remoto si no planea usar el dispositivo durante más de 2 meses.
- Siga las ordenanzas locales de su ciudad para obtener información sobre la eliminación adecuada de las baterías usadas y antiguas.  
No deseche las baterías en residuos municipales sin clasificar.

Consejos para usar el control remoto

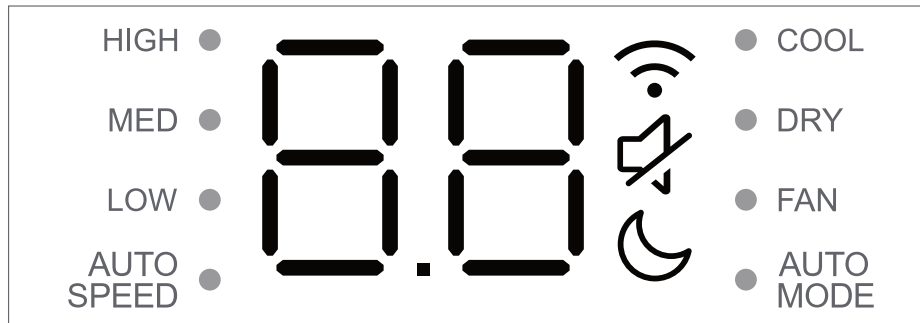
1. El control remoto debe usarse dentro de un rango de 26 pies de la unidad
2. La unidad hará un sonido cuando reciba la señal del control remoto
3. Las cortinas, otros materiales e incluso la luz solar directa pueden interferir con el receptor de señal infrarroja.
4. Presione "MODE" ("MODO") y "^", y mantenga presionado durante 3 segundos para restablecer la configuración de wifi.



# Panel de Control







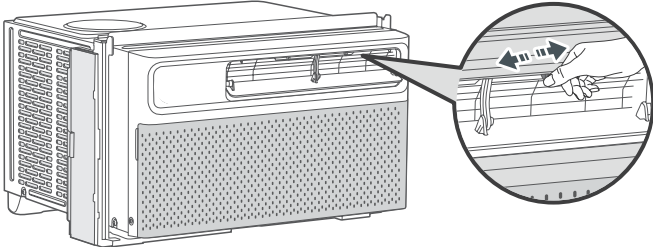

<p>Energía</p> 	<p>Encendido y apagado del aire acondicionado</p>
<p>Velocidad del ventilador</p> 	<p>Ajuste la velocidad del ventilador (baja, media, alta, automático) Mantenga presionado durante 5 segundos para restablecer el recordatorio del filtro.</p> <p><b>Nota:</b> Los ajustes de velocidad del ventilador están disponibles en los modos Auto (automático), Cool (frío) y Fan (ventilador).”</p>
<p>Movimiento/oscilación</p> 	<p>“Ajuste la dirección del flujo de aire cambiando el movimiento del aire verticalmente.</p> <p>Mantenga presionado durante 3 segundos para activar/desactivar el modo Eco (ecológico).”</p>
<p>Disminuir</p> 	<p>Disminuir el nivel de temperatura</p>
<p>Aumentar</p> 	<p>Aumentar el nivel de temperatura</p>
<p>Selección del modo</p> 	<p>Cambiar entre los modos Cool (frío)/Dry (seco)/Fan (ventilador)/Auto (automático)</p>




# Pantalla LED





COOL DRY FAN AUTO MODE	Indica los modos frío, seco, ventilador y automático, respectivamente.
	Indica que la unidad está en modo Sleep (suspensión).
	Indica que hay una conexión de WiFi
LOW MED HIGH AUTO	Indica las velocidades baja, media, alta y automática del ventilador, respectivamente.

## Operaciones Generales

<p>Energía</p> 	<p>Encendido y apagado del aire acondicionado</p>
<p>Aumentar</p> 	<p>Presione para aumentar la temperatura en 1 °F/°C.</p>
<p>Disminuir</p> 	<p>Presione para disminuir la temperatura en 1 °F/°C.</p>
<p>Movimiento/oscilación</p> 	<p>Presione para que el ventilador oscile hacia arriba y hacia abajo. Mientras se mueve, presione de nuevo para detener la ventilación en el ángulo deseado.</p> <p>Mantenga presionado durante 3 segundos para activar/desactivar el modo Eco (ecológico).</p> <p><b>Nota:</b> Para ajustar la dirección del flujo de aire horizontalmente, mueva manualmente las palancas ubicadas en la parte superior de la salida de aire de lado a lado. Además, no ajuste la ventilación vertical grande a mano, pues podría causar daños.</p> 
<p>Velocidad del ventilador</p> 	<p><b>Ajustar la velocidad del ventilador</b></p> <p>Presione varias veces para ajustar la velocidad del ventilador entre baja, media, alta y automática.</p> <p><b>Reiniciar el recordatorio del filtro</b></p> <p>Mantenga pulsado durante 5 segundos para reiniciar el recordatorio del filtro.</p> <p><b>Para limpiar el filtro, consulte la sección de mantenimiento de este manual.</b></p>

<p>Selección del modo</p> 	<p><b>Presione repetidamente para alternar entre los modos Cool (frío), Dry (seco), Fan (ventilador) y Auto (automático).</b></p> <p><b>Modo Cool (frío)</b></p> <ul style="list-style-type: none"> <li>• El aire acondicionado enfría la habitación a la temperatura establecida.</li> <li>• La temperatura y la velocidad del ventilador son ajustables.</li> </ul> <p><b>Modo Dry (seco)</b></p> <ul style="list-style-type: none"> <li>• El A/C funciona como un deshumidificador para eliminar el exceso de humedad en el aire. El ventilador funciona constantemente, pero a baja velocidad.</li> <li>• La temperatura y la velocidad del ventilador no son ajustables.</li> </ul> <p><b>Modo Fan (ventilador)</b></p> <ul style="list-style-type: none"> <li>• El aire acondicionado circula aire como un ventilador normal. Recuerde mantener la ventilación abierta durante la función de ventilador, pero cerrada durante la función de enfriamiento para maximizar la eficiencia de enfriamiento.</li> <li>• La velocidad del ventilador se puede ajustar a baja, media y alta.</li> <li>• La temperatura no puede ajustarse.</li> </ul> <p><b>Modo Auto (automático)</b></p> <ul style="list-style-type: none"> <li>• El A/C se ajusta automáticamente entre los modos frío y ventilador en función de la temperatura de la habitación.</li> <li>• La temperatura y la velocidad del ventilador no se pueden ajustar.</li> </ul>
<p>Timer (temporizador) (En el control remoto)</p> 	<p>Quando el aire acondicionado esté encendido o en modo reposo, presione el botón Timer (temporizador) y su ícono parpadeará en la pantalla LED.</p> <p>Durante el proceso de parpadeo, pulse + o - para seleccionar un temporizador de 0 a 24 horas y, luego, presione de nuevo el botón Timer (temporizador) para confirmar la configuración.</p> <p>Después de que finalice el temporizador, el aire acondicionado iniciará/dejará de funcionar automáticamente.</p> <p>Si enciende o apaga el aire acondicionado en cualquier momento o ajusta la configuración del temporizador a la hora 0:0, se cancelará el programa del temporizador.</p>
<p>Eco (ecológico) (En el control remoto)</p> 	<p>En el modo Eco (ecológico), cuando se alcanza la temperatura deseada, el compresor se apagará y el ventilador seguirá funcionando durante 3 minutos antes de apagarse.</p> <p>El ventilador se encenderá durante 1 minuto cada 5 minutos hasta que la temperatura ambiente esté por encima de la temperatura establecida, momento en el que el compresor se vuelve a encender y continúa enfriando.</p>

**Nota:** En el modo automático, la velocidad del ventilador se adaptará a la temperatura de la habitación. En el modo seco, la velocidad del ventilador no se puede ajustar.

<p>Sleep (Suspensión) (en el control remoto)</p> 	<p>En el modo Sleep (suspensión), la temperatura del aire acondicionado aumentará 2 grados en 1 hora (1 grado cada 30 minutos) y luego la temperatura se mantendrá constante durante 7 horas, luego de las cuales la temperatura volverá a ser la inicial.</p> <p><b>NOTA:</b> Los sonidos de los botones están silenciados y todas las luces indicadoras de la pantalla se apagan después de 15 segundos, excepto en el caso del indicador del modo de suspensión.</p>
<p>Pantalla LED (En el control remoto)</p> 	<p>Encender/apagar la pantalla</p> <p>Mantenga presionado durante 5 segundos para cambiar entre °F/°C.</p>

# Otras Funciones

## Recordatorio de Filtro

Cuando el tiempo de funcionamiento llegue a 500 horas, el recordatorio del filtro se encenderá para indicar que el filtro debe limpiarse. Mantenga presionado el botón Filtro del ventilador durante 5 segundos para restablecer el recordatorio del filtro. Consulte la sección de mantenimiento de este manual para obtener instrucciones sobre la limpieza del filtro.

## Pantalla Apagada Automáticamente

- La pantalla se atenuará después de 30 segundos (o después de 15 segundos en modo de suspensión)
- Active la pantalla presionando cualquier botón

## Memoria

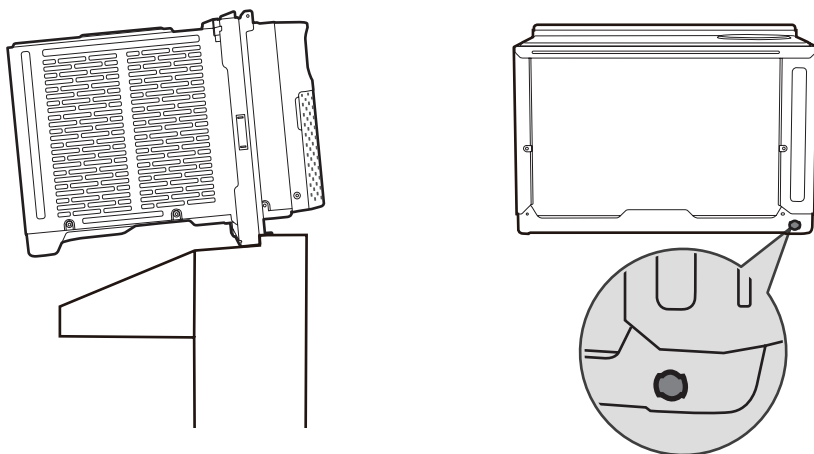
Si el aire acondicionado está apagado pero permanece conectado a la corriente, se reanuda la configuración anterior (excepto la configuración del temporizador) cuando se vuelva a encender.

## Drenaje de Agua

Esta unidad fue diseñada para recoger humedad de la condensación en una bandeja de recolección en la base de la unidad. El ventilador posterior distribuye el agua recolectada a la bobina del condensador. Esto ayuda en la eficiencia general de la unidad.

Es normal escuchar el chapoteo del agua cuando el ventilador está girando.

Si no se desea que esto suceda, se puede quitar el tapón de drenaje en la parte posterior del aire acondicionado para drenar una parte del agua. Hacerlo puede reducir la eficiencia del A/C. Todavía quedará una cantidad mínima de agua en la bandeja de drenaje.



# Mantenimiento

## Cuidado y Limpieza

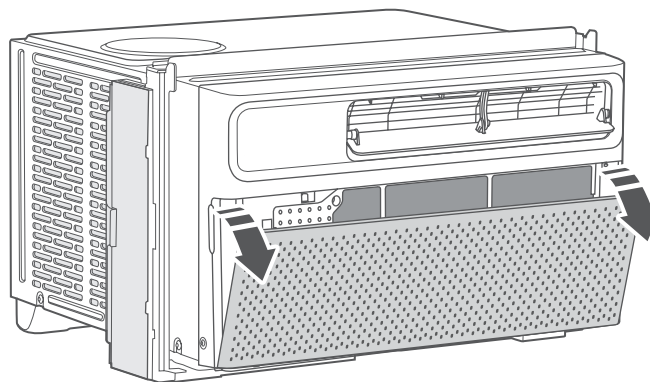
Limpie su aire acondicionado ocasionalmente para mantenerlo como nuevo. Antes de limpiar, asegúrese de desconectar la unidad de cualquier fuente de energía para evitar descargas eléctricas o riesgos de incendio.

## Filtro de Aire

El filtro de aire debe revisarse al menos una vez al mes para ver si necesita limpieza. Nunca utilice agua caliente a más de 104 °F (40 °C) para limpiar el filtro de aire. Nunca intente operar la unidad sin el filtro de aire. Las partículas atrapadas y el polvo pueden acumularse con el tiempo, lo que puede generar una disminución del flujo de aire y causar que las bobinas acumulen escarcha. Para limpiar el filtro de aire:

1. Retire la rejilla de las sangrías de ambos lados de la parte delantera y retire el filtro del interior.
1. Lave el filtro con jabón líquido para platos y agua tibia. Enjuague bien el filtro. Agite suavemente el filtro para eliminar el exceso de agua.
3. Deje que el filtro se seque completamente antes de colocarlo en el aire acondicionado.

**Nota:** Si no desea lavar el filtro, puede aspirar el filtro para eliminar el polvo y otras partículas.



## Limpieza del Gabinete

Para limpiar el gabinete del aire acondicionado:

- Con un paño humedecido en una solución de agua tibia y jabón líquido suave, limpie la unidad y el panel frontal. Luego, con un paño limpio y húmedo, asegúrese de limpiar la unidad para eliminar todo el exceso de jabón y continuar secando.
- Nunca use limpiadores fuertes, cera o esmalte en el frente del gabinete.
- Asegúrese de escurrir el exceso de agua del paño antes de limpiar alrededor del control. El exceso de agua puede dañar la unidad.

## Almacenamiento

Si desea almacenar la unidad cuando no la use, le recomendamos quitar el tapón de drenaje en la parte posterior de la unidad e inclinar ligeramente la unidad hacia la parte trasera para drenar el agua de la bandeja de manera segura. Luego, limpie la unidad y luego guárdela de nuevo en el embalaje o caja original hasta el próximo uso.

## Resolución de Problemas

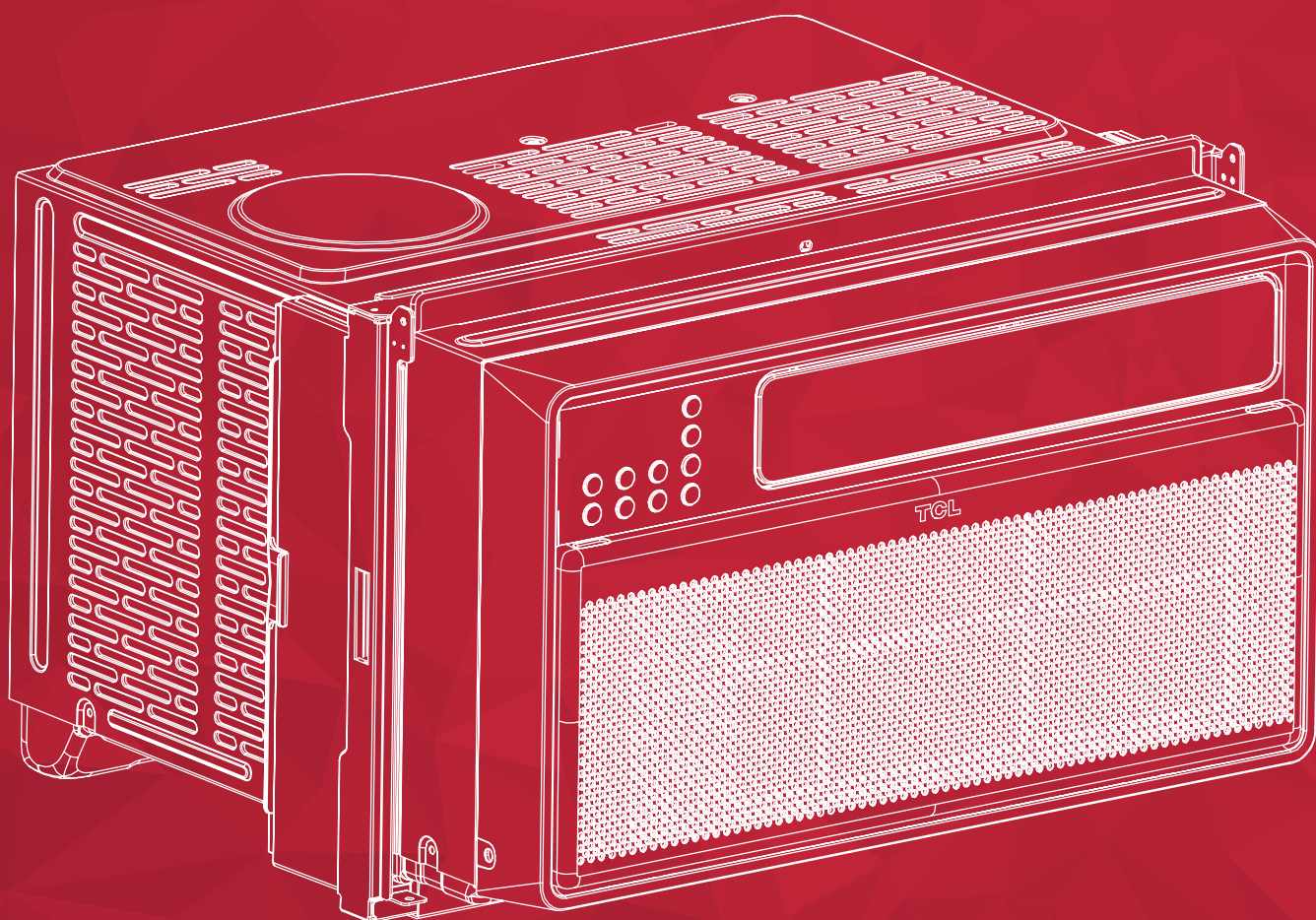
PROBLEMAS	POSIBLES CAUSAS	SOLUCIONES
<b>El aire acondicionado no arranca</b>	El aire acondicionado está desenchufado	Asegúrese de que el enchufe del aire acondicionado esté completamente insertado en el tomacorriente.
	El fusible se fundió/el disyuntor se disparó	Verifique la caja de fusibles/ disyuntores de la casa y reemplace el fusible o reinicie el disyuntor.
	Fallo de energía	<ul style="list-style-type: none"> <li>• La unidad se reiniciará automáticamente cuando se restablezca la energía.</li> <li>• Hay un retardo de tiempo de protección (aprox. 3 minutos) para evitar que se dispare y se sobrecargue el compresor. Por esta razón, es posible que la unidad no comience a enfriarse normalmente durante 3 minutos después de volver a encenderla.</li> </ul>
	El dispositivo interruptor actual está desconectado	<ul style="list-style-type: none"> <li>• Presione el botón RESET ubicado en el enchufe del cable de alimentación.</li> <li>• Si el botón RESET no permanece activado, deje de usar el acondicionador de aire y comuníquese con un técnico de servicio calificado.</li> </ul>
<b>El aire acondicionado no enfría como debería</b>	El flujo de aire está restringido	Asegúrese de que no haya cortinas, persianas ni muebles que bloqueen la parte delantera del aire acondicionado.
	Es posible que el control de la temperatura no esté ajustado correctamente.	Baje la temperatura establecida en el termostato.
	El filtro de aire está sucio	Limpie el filtro. Consulte el apartado MANTENIMIENTO.
	La habitación puede estar muy caliente	Espere un momento para que la habitación se enfríe después de encender el aire acondicionado.
	El aire frío se escapa	Check for open furnace registers and cold air returns.
	Las bobinas de enfriamiento están congeladas	Cambie a alta velocidad del ventilador y ajuste el termostato a una temperatura mayor.
	El sensor de temperatura no está bien ubicado.	El sensor de temperatura detrás del filtro de aire toca la bobina. Trate de moverlo para que no haga contacto con la bobina de enfriamiento.
<b>El aire acondicionado se está congelando</b>	El hielo bloquea el flujo de aire y evita que el aire acondicionado enfríe la sala	Cambie a alta velocidad del ventilador y ajuste el termostato a una temperatura más alta.

<b>El control remoto no funciona</b>	Las baterías están mal colocadas	Compruebe la posición de las baterías.
	Las baterías pueden estar muertas	Cambie las baterías.
<b>El agua gotea por fuera</b>	Clima caluroso y húmedo	Es normal.
<b>El agua gotea ADENTRO cuando la unidad está enfriando</b>	El aire acondicionado no está correctamente inclinado hacia el exterior	Instalación inadecuada. Incline ligeramente el aire acondicionado hacia el exterior para permitir que el agua drene. Consulte las instrucciones de instalación.
	La humedad extraída del aire se escurre hacia la bandeja base	Esto es normal durante un período corto en áreas con baja humedad y normal durante un período más largo en áreas con alta humedad
<b>Ruido cuando la unidad se enciende</b>	Puede producirse un sonido de "da-da" durante 30 segundos al encender la unidad debido al arranque del compresor.	Es normal.

## Especificaciones

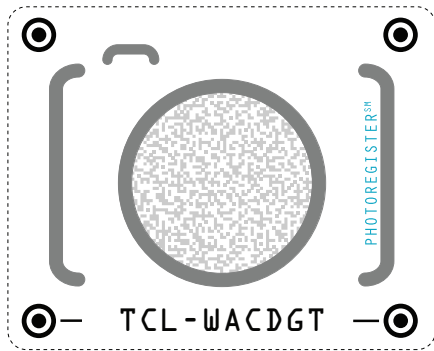
<b>Modelo</b>	H8W25WQ
<b>Refrigerante</b>	R32
<b>Capacidad de Enfriamiento</b>	8,000 BTu/h
<b>Voltaje Nominal</b>	115V
<b>Frecuencia Nominal</b>	60Hz
<b>Entrada Nominal</b>	740W
<b>Corriente Nominal</b>	8.3A
<b>CEER</b>	15 (Btu/h)W
<b>Recomendado Área aplicable</b>	≤ 350 ft <sup>2</sup>
<b>Dimensiones</b>	22.99 X 18.81 X 13.97 in / 584 X 478 X355 mm
<b>Peso</b>	61.7 lb / 28 kg

# Commençons l'installation



Série Q  
Climatiseur de Fenêtre  
Manuel de l'utilisateur

# Register and protect your purchase Enregistrez et protégez votre achat



## Text to Register

Text a photo of the camera icon to **71403**

**Or register online** at [register.tcl.com/en-ca/](https://register.tcl.com/en-ca/)  
**Need help?** Visit [photoregister.com/help](https://photoregister.com/help)  
or text HELP to 71403

## Enjoy exclusive benefits with registration:



Expedited support and service



Insider tips on your appliance



Exclusive offers and promotions



Verification of ownership

## Inscrivez-vous facilement avec votre téléphone intelligent.

Envoyez une photo de l'icône de l'appareil photo au numéro **71403**.

**Ou inscrivez-vous en ligne sur** [register.tcl.com/en-ca/](https://register.tcl.com/en-ca/).

**Vous avez besoin d'aide ?** Visitez [photoregister.com/help](https://photoregister.com/help) ou textez HELP par SMS au numéro 71403.

## Profitez d'avantages exclusifs lors de l'enregistrement :



Assistance et service accélérés



Des astuces pour votre appareil



Offres et promotions exclusives



Vérification de propriété

\*All TCL products continue to offer a limited consumer warranty in both the US and Canada. Please refer to the warranty section in this guide for additional details on warranty information.

\*Tous les produits TCL continuent d'offrir une garantie limitée aux consommateurs aux États-Unis et au Canada. Veuillez consulter la section garantie dans ce guide pour obtenir plus d'informations.

## CONSIGNES DE SÉCURITÉ IMPORTANTES

Avant d'installer et d'utiliser votre climatiseur, veuillez lire avec attention ce guide de l'utilisateur et, pour référence ultérieure, rangez-le dans un endroit sécuritaire. Pour nous, votre sécurité - et celle des autres - est très importante. Nous vous demandons de lire attentivement tous les messages de sécurité de ce guide.

**MISE EN GARDE :** Pour réduire les risques d'incendie, de choc électrique ou de blessure en utilisant votre climatiseur, veuillez prendre les précautions de base suivantes :

## ALIMENTATION

Les caractéristiques électriques de votre climatiseur sont indiquées sur l'étiquette du modèle et du numéro de série située à l'avant, à droite, en faisant face à l'appareil.

## ENREGISTREMENT DE VOTRE APPAREIL

Vous pouvez enregistrer votre appareil en ligne sur le site [register.tcl.com](http://register.tcl.com)  
N'oubliez pas de conserver votre facture, car une preuve d'achat est nécessaire pour faire valoir la garantie.

Consignez ici les numéros de modèle et de série de votre appareil :

No de modèle \_\_\_\_\_ No de série \_\_\_\_\_

Vous trouverez le numéro de série à 20 chiffres sous le code à barres (au dos de l'appareil)

### AVERTISSEMENT

Des exigences spécifiques en câblage sont illustrées dans le diagramme qui suit. Respectez-les en ce qui a trait au type de fiche du cordon d'alimentation.

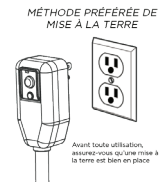
#### Risque de choc électrique

En insérant la fiche dans une prise tripolaire avec mise à la terre (trois broches).  
Ne retirez pas la broche de mise à la terre.  
N'utilisez pas d'adaptateur.  
N'utilisez pas de rallonge.  
Le non-respect de ces consignes peut donner lieu à un décès, un incendie ou un choc électrique.

#### Exigences en câblage

- 115 Volts (103 V. min à 127 V. max)
- (5K-8K) 0 à 8 A
- (10K-12K) 0 à 12 A
- (5-8K) fusible temporisé de 15 A ou disjoncteur
- (10K-12K) fusible temporisé de 15 A ou disjoncteur
- Pour tous les modèles, n'utilisez qu'une seule prise d'alimentation

#### Cordon d'alimentation



## MÉTHODE RECOMMANDÉE POUR LA MISE À LA TERRE

Pour votre sécurité personnelle, ce climatiseur doit être mis à la terre. Il est équipé d'un cordon d'alimentation muni d'une fiche polarisée avec mise à la terre (3 broches). Pour minimiser la possibilité de choc électrique, le cordon doit être branché dans une prise tripolaire avec mise à la terre, conformément à tous les codes et règlements locaux. Si une prise tripolaire n'est pas disponible, la responsabilité de l'installation appropriée d'une telle prise par un technicien qualifié incombe au client.

**Ne retournez pas à la boutique**

**Nous sommes  
prêts à vous  
aider**

Pour toute question,  
contactez-nous  
d'abord



Soutien TCL :  
[support.tcl.com/us](http://support.tcl.com/us)  
1-800-825-6747



**Soyez prudent en retirant  
le climatiseur**

# MANUEL D'INSTALLATION---Points importants

Par rapport aux autres réfrigérants, R32 est plus respectueux de l'environnement. Veuillez utiliser ce produit comme indiqué. Ce réfrigérant est inflammable et peut s'enflammer dans certaines conditions. Toutefois, lorsque ce produit est utilisé conformément aux instructions, ces risques sont considérablement réduits. Consultez toujours un professionnel qualifié pour l'entretien ou la réparation d'un climatiseur.

## Avertissement

- lisez le manuel avant de procéder à l'installation, à l'utilisation ou à l'entretien.
- Évitez de prendre des mesures visant à accélérer le processus de dégivrage ou à nettoyer, autres que celles recommandées par le fabricant.
- Sachez que les réfrigérants peuvent ne pas avoir d'odeur.
- Évitez de percer ou de brûler l'appareil.
- L'appareil doit être entreposé dans une pièce sans sources en fonctionnement continu (par exemple : flammes vives, appareil fonctionnant au gaz ou chauffage électrique en fonctionnement).
- Communiquez avec le centre de service après-vente le plus proche lorsque l'entretien est nécessaire. Au moment de l'entretien, le personnel d'entretien est tenu de se conformer scrupuleusement au manuel d'utilisation fourni par le fabricant en question et toute personne non qualifiée n'est pas autorisée à assurer l'entretien du climatiseur.
- il est impérieux de respecter les dispositions des lois et règlements fédéraux, Étatiques et locaux en matière de gaz.
- Il est nécessaire de dégager le réfrigérant dans le système lors de l'entretien ou de la maintenance d'un climatiseur par un professionnel qualifié.



Avertissement :  
inflammable et  
dangereux



Lisez le manuel  
d'utilisation



Lisez le manuel



Lisez le manuel  
d'entretien

## Points importants

- **Le climatiseur que vous achetez doit être installé par un personnel qualifié et le « manuel d'installation » n'est destiné qu'au personnel qualifié pour l'installation!** Les spécifications d'installation doivent être soumises à nos règles de service après-vente .
- Lorsque vous remplissez le réfrigérant inflammable, soyez vigilant(e) pour éviter toute blessure grave.
- Un test de fuite doit être effectué après installation.
- Il est impérieux d'effectuer une inspection de sécurité avant l'entretien ou la réparation d'un climatiseur utilisant un réfrigérant inflammable pour s'assurer que le risque d'incendie est réduit au minimum.
- Les exigences relatives au poids total du réfrigérant rempli et à la superficie d'une pièce à équiper d'un climatiseur (sont indiquées dans les tableaux GG.1 et GG.2 suivants)



## La charge maximale et la surface de plancher minimale requise

$m_1 = (4 \text{ m}^3) \times \text{LFL}$  ,  $m_2 = (26 \text{ m}^3) \times \text{LFL}$  ,  $m_3 = (130 \text{ m}^3) \times \text{LFL}$

Où LFL est la limite inférieure d'inflammabilité en  $\text{kg}/\text{m}^3$  ,R290 LFL est  $0,038 \text{ kg}/\text{m}^3$  ,R32 LFL est  $0,038 \text{ kg}/\text{m}^3$  .

Pour les appareils avec un montant de charge  $m_1 < M = m_2$  :

La charge maximale dans une pièce doit être conforme aux conditions suivantes :  $m_{\text{max}} = 2,5 \times (\text{LFL})^{(5/4)} \times h_0 \times (A)^{1/2}$

La surface de plancher minimale requise  $A_{\text{min}}$  pour installer un appareil avec une charge de réfrigérant  $M$  (kg) doit être conforme à ce qui suit :  $A_{\text{min}} = (M / (2,5 \times (\text{LFL})^{(5/4)} \times h_0))^2$

Où :

$m_{\text{max}}$  est la charge maximale autorisée dans une pièce, en kg;  $M$  est le montant de la charge réfrigérante dans l'appareil, en kg;  $A_{\text{min}}$  est la zone de la pièce minimum requise, en  $\text{m}^2$ ;  $A$  est la zone de la pièce, en  $\text{m}^2$ ;

LFL est la limite inférieure d'inflammabilité, en  $\text{kg}/\text{m}^3$ ;

$h_0$  est la hauteur d'installation de l'appareil, en mètres pour calculer  $m_{\text{max}}$  ou  $A_{\text{min}}$  , 1,8 m pour un montage mural;

**Tableau GG.1 - Charge maximale (kg)**

Catégorie	LFL (kg/m <sub>3</sub> )	h <sub>0</sub> (m)	Surface de plancher (m <sub>2</sub> )						
			4	7	10	15	20	30	50
R32	0,306	0,6	0,68	0,9	1,08	0,32	1,53	1,87	2,41
		1	1,14	1,51	1,8	2,2	2,54	3,12	4,02
		1,8	2,05	2,71	3,24	3,97	4,58	5,61	7,254
		2,2	2,5	3,31	3,96	4,85	5,6	6,86	8,85

**Table GG.2 - Superficie minimale de la pièce (m<sub>2</sub>)**

Catégorie	LFL (kg/m <sub>3</sub> )	h <sub>0</sub> (m)	Montant de la charge (M) (kg) Superficie minimale de la pièce (m <sub>2</sub> )						
			1,224 kg	1,836 kg	2,448 kg	3,672 kg	4,896 kg	6,12 kg	7,956 kg
R32	0,306	0,6		29	51	116	206	321	543
		1		10	19	42	74	116	196
		1,8		3	6	13	23	36	60
		2,2		2	4	0	15	24	40

## Principes de sécurité l'installation

### 1. Sécurité du site

Flammes vives interdites



Ventilation nécessaire



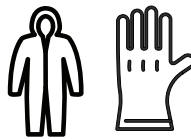
### 2. Sécurité des opérations

Attention à l'électricité statique



Flammes vives interdites

Utilisation interdite du téléphone portable  
gants antistatiques



Port de l'équipement de protection et



### 3. Sécurité de l'installat

- Détecteur de fuites de réfrigérant
- Emplacement d'installation approprié



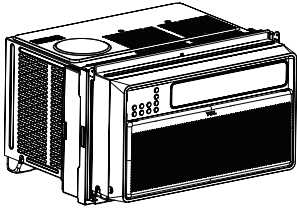



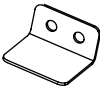

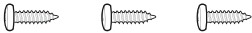
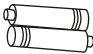

L'image de gauche est le schéma d'un détecteur de fuites réfrigérant.

### Veillez noter que :

1. Le site d'installation doit être situé dans une zone bien ventilée.
2. Les sites d'installation et d'entretien d'un climatiseur utilisant le réfrigérant R32 doivent être exempts de flammes vives ou de soudure, de fumage, de four de séchage ou de toute autre source de chaleur supérieure à 54812 K qui produit facilement des flammes vives.
3. Lors de l'installation d'un climatiseur, il est nécessaire de prendre les mesures antistatiques appropriées telles que porter des vêtements et/ou des gants antistatiques.
4. L'emplacement d'installation ou d'entretien ne doit pas être entouré d'obstacles ou à proximité d'une source de chaleur, d'une zone inflammable et/ou d'objets explosifs.
5. Si le produit subit une fuite de réfrigérant pendant l'installation, tout le personnel doit évacuer jusqu'à ce que le réfrigérant s'écoule complètement pendant 15 minutes. Si le produit est endommagé, un professionnel doit le ramener à la station d'entretien. Il est interdit de souder le tuyau de réfrigérant ou d'effectuer d'autres opérations sur le site contaminé.
6. Le climatiseur doit être posé sur une surface plane
7. Il est nécessaire d'éviter les endroits où il y a d'autres produits électriques, des fiches et des prises d'interrupteur, des armoires de cuisine, un lit, un canapé et d'autres objets de valeur directement sous les lignes des deux côtés de l'unité intérieure.
8. Les ouvertures de ventilation de l'appareil ne doivent pas être obstruées.

## Contenu de la Boîte

Ouvrez le carton et retirez les pièces ci-dessous.

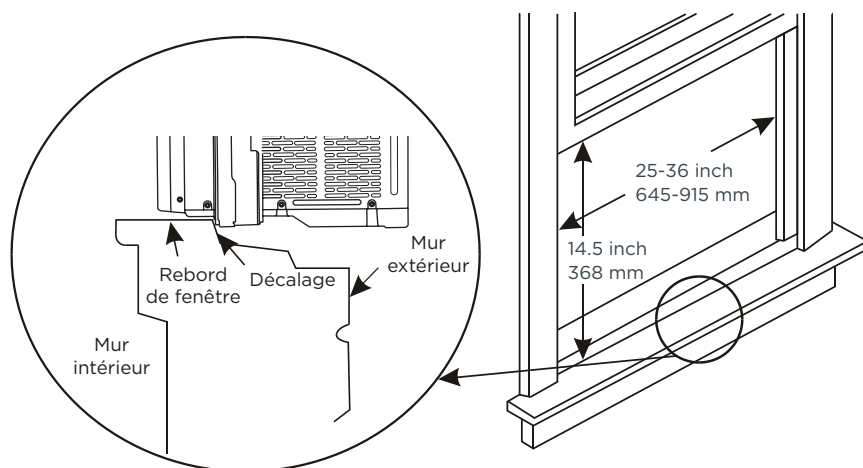
L'apparence	Nom de la Pièce	Quantité
	Climatiseur de fenêtre	1
	Télécommande	1
	Long joint en mousse (non adhésif)	1
	Long joint en mousse (adhésif)	1
	Support de sécurité	1
	Vis 3/4 po	4
	Vis 1/2 po	3
	Pile de la télécommande	2
	Pâte à modeler (Plasticine)	1

**Remarque :** Les illustrations de ce manuel sont uniquement destinées à des fins explicatives. La conception et l'esthétique du produit peuvent varier. Veuillez rechercher dans l'ensemble de l'emballage les éléments énumérés ci-dessus, car ils peuvent se trouver au-dessus ou en dessous du climatiseur.

# Configuration et Installation

## Exigences Relatives aux Fenêtres

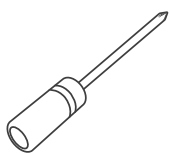
1. Ce climatiseur est conçu pour être installé dans une fenêtre standard à guillotine simple ou double avec une largeur de fenêtre comprise entre 25 et 36 po (645 à 915 mm).
2. Le climatiseur peut être installé sans les panneaux latéraux pour s'adapter à une ouverture de fenêtre étroite. Voir les dimensions de la fenêtre. Si le climatiseur est installé sur une fenêtre d'une largeur de 25.39 à 28.35 po (645 à 720 mm), il doit être installé à droite, et le support droit doit toucher le climatiseur (non étendu) ; sinon, l'appareil ne fonctionnera pas normalement.
3. Le châssis inférieur (la partie inférieure de la fenêtre qui se déplace de haut en bas) doit permettre un dégagement vertical de 36,8 cm (14,5 po) lorsqu'il est ouvert.



4. Toutes les pièces de support doivent être solidement fixées à du bois, de la maçonnerie ou du métal.
5. La prise électrique doit être à portée du cordon d'alimentation. (Prise électrique uniquement, aucune barre d'alimentation ou autre prise n'est permise).

**Remarque :** Rangez le climatiseur dans sa boîte de produit lorsqu'il n'est pas utilisé.

## Outils suggérés pour l'installation (non inclus)



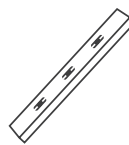
Tournevis  
cruciforme



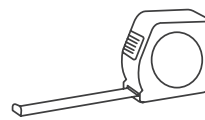
Ciseaux ou  
couteau



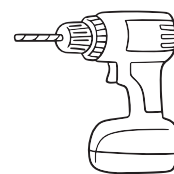
Crayon



Niveau



Ruban à  
mesurer  
ou règle



Perceuse et  
mèche de 1/8  
po



**ATTENTION**  
**Objet lourd. Ayez de l'aide pendant le processus d'installation.**

## Pour Commencer

### Étape 1: Déballage

Retirez avec soin tous les emballages et toutes les pellicules du climatiseur et de ses accessoires.



#### ATTENTION

**Gare aux bords métalliques tranchants et les ailettes en aluminium sur les serpentins avant et arrière.**

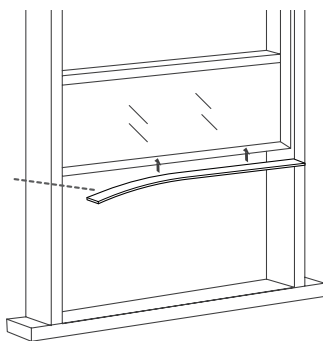
### Étape 2: Test

Avant d'installer votre climatiseur, testez-le pour vérifier qu'il fonctionne correctement et que votre prise possède une puissance adéquate. Tout d'abord, placez-le sur une surface plane, branchez-le directement sur une prise murale (n'utilisez jamais une multiprise ou un autre accessoire), et allumez-le. Ensuite, utilisez le bouton Mode du panneau de commande pour faire passer le climatiseur en mode Refroidissement et appuyez sur la flèche vers le bas pour régler la température au niveau le plus bas. Après 3 minutes, le climatiseur devrait souffler de l'air frais. Si c'est le cas, passez à l'étape suivante. Sinon, consultez les conseils de dépannage détaillés sur [support.tcl.com/us](http://support.tcl.com/us).

### Étape 3: Application du Joint Adhésif

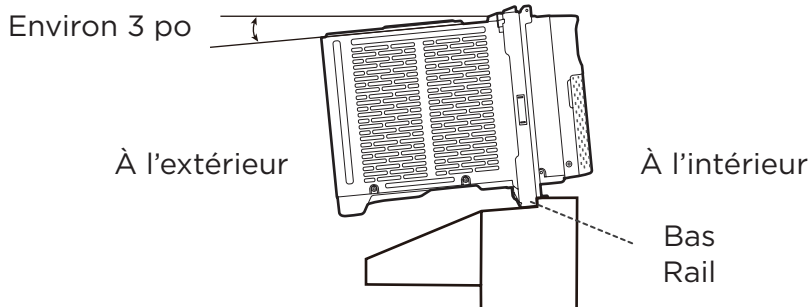
Mesurez la longueur du cadre supérieur de la fenêtre, coupez le joint en mousse adhésive à la longueur appropriée et appliquez-le comme indiqué ci-dessous.

Long joint  
en mousse  
(adhésif)



### Étape 4: Installation dans une Fenêtre Ouverte

Avec de l'aide, soulevez soigneusement le climatiseur et placez-le sur le rebord de la fenêtre. Ensuite, fermez la fenêtre en vous assurant que le climatiseur est centré et que le rail inférieur est aligné au rebord de la fenêtre.



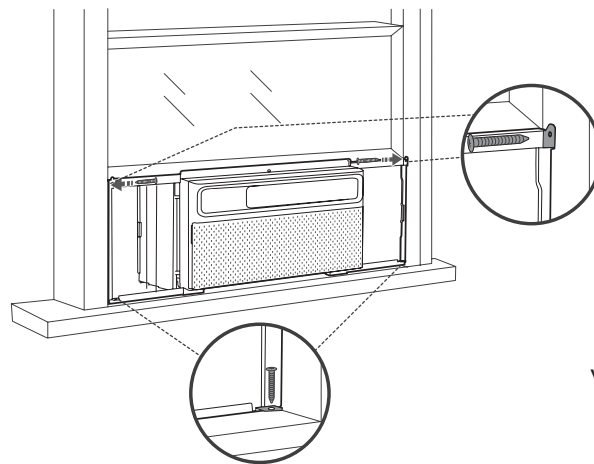
#### ATTENTION

**Gare aux bords métalliques tranchants et aux ailettes en aluminium des serpentins avant et arrière !**

**Remarque :** Le climatiseur doit être incliné d'environ 3 degrés pour permettre une meilleure évacuation de l'eau de condensation et de la pluie. À l'aide d'un niveau, mesurez environ 1/3 de bulle pour obtenir l'inclinaison correcte.

## Étape 5: Fixation des Supports Latéraux

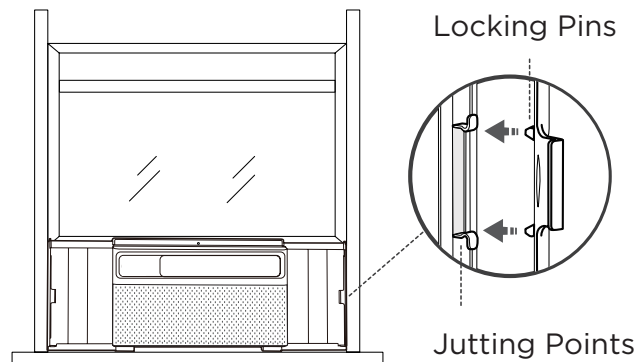
Déployez les supports latéraux des deux côtés du climatiseur et fixez-les aux cadres de fenêtre gauche et droit à l'aide de quatre vis  $\frac{3}{4}$  po, comme illustré. Fixez les vis supérieures avant celles du bas.



Vis  $\frac{3}{4}$  po  
X 4

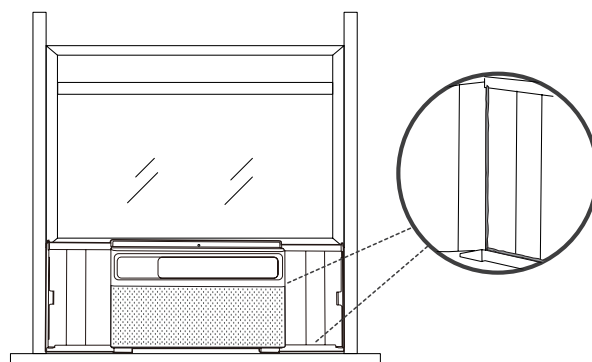
## Étape 6: Fixation des Panneaux Latéraux

Tirez les panneaux latéraux vers l'intérieur pour les aligner avec les supports latéraux. Ensuite, étendez et enclenchez le panneau latéral en place avec les supports latéraux.



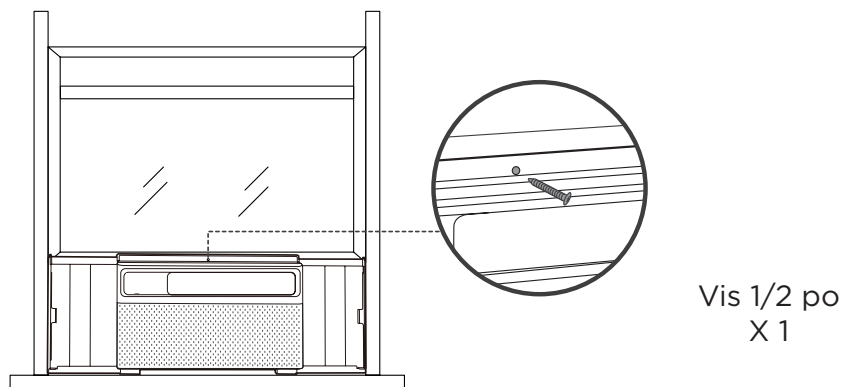
## Étape 7: Sceller les espaces vides avec de la pâte à modeler (plasticine)

Remplissez tous les espaces et crevasses entre les supports latéraux et les panneaux avec la pâte à modeler fournie.



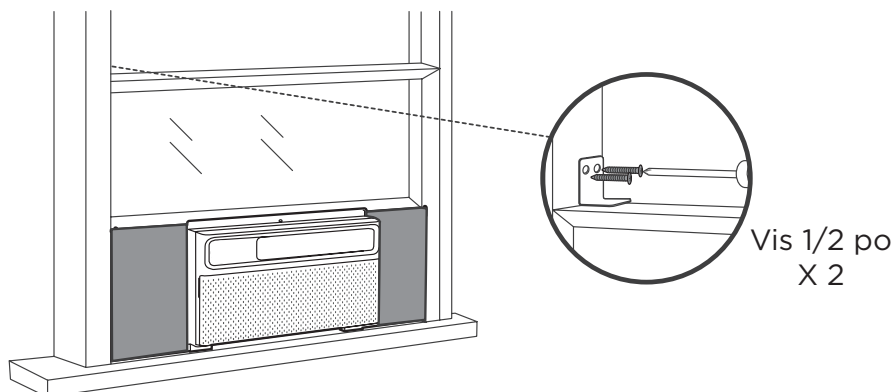
## Étape 8: Fixation de la Vis Dans le Rail Supérieur

Fixez la vis de ½ po dans le rail supérieur du climatiseur.



## Étape 9: Installation du Support de Sécurité (recommandé)

Pour des raisons de sécurité, il est recommandé de fixer le support de sécurité au sommet de la fenêtre à l'aide de deux vis ½ po pour empêcher l'ouverture de la fenêtre de l'extérieur. Toutefois, le support de sécurité peut être retiré pour vous permettre d'ouvrir la fenêtre lorsque vous le souhaitez.

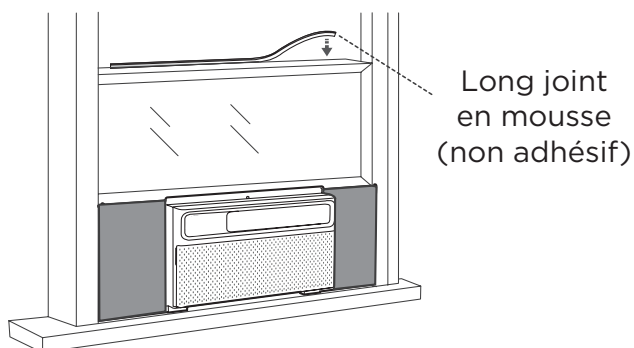


### AVERTISSEMENT

Pour ouvrir la fenêtre, l'appareil doit être solidement fixé à l'aide des 4 vis de l'étape 5. Veuillez vérifier que l'appareil est bien fixé avant d'ouvrir la fenêtre.

## Étape 10: Scellez les Espaces Entre les Châssis

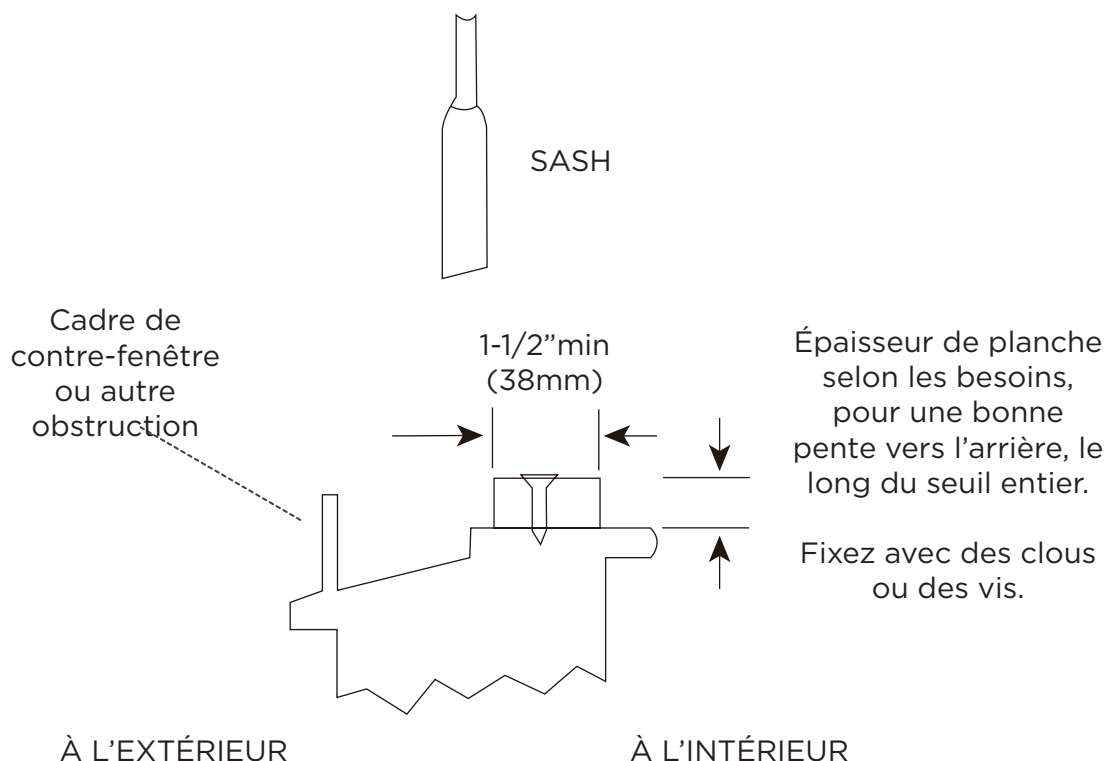
Coupez le joint en mousse non adhésif à la longueur appropriée et insérez-le entre les châssis de la fenêtre comme indiqué ci-dessous.



## Si le Climatiseur est Bloqué par le Cadre de la Contre-Fenêtre

Ajoutez du bois comme indiqué ci-dessus ou retirez le cadre ou l'obstacle de la contre-fenêtre avant d'installer le climatiseur de fenêtre.

Si le cadre de la contre-fenêtre doit rester, assurez-vous que les trous ou les fentes d'évacuation ne sont pas calfeutrés ou obstrués par de la peinture. L'eau de pluie ou la condensation accumulée doit pouvoir s'écouler.



### ATTENTION

Lorsque vous ouvrez la fenêtre, assurez-vous que les vis fixes sont bien vissées en place sans qu'aucun objet ne vienne affecter leur retenue aux supports latéraux et au cadre de la fenêtre pour éviter que l'appareil ne devienne instable et ne tombe.



# Installation de l'application Wi-Fi

(pour les modèles WiFi uniquement)

## Configuration de l'application TCL Home (Smartphone requis)

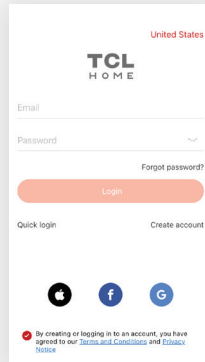
### Étape 1: Téléchargez et installez l'application TCL Home

Scannez le code QR ci-dessous ou recherchez l'application TCL Home dans la boutique d'applications Apple ou Google. Téléchargez et ouvrez l'application.



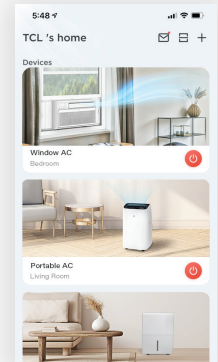
### Étape 2: Créez un compte

Une fois que vous avez ouvert l'application, sélectionnez "Créer un compte". Vous recevrez alors un code de vérification sur votre e-mail. Entrez le code et continuez.



### Étape 3: Ajoutez votre appareil

Sélectionnez le bouton "Ajouter des appareils" et suivez les instructions dans l'application pour terminer la configuration.



**Remarque :** L'application ne prend en charge que la bande WiFi de 2,4 GHz (tous les routeurs ont une bande de 2,4 GHz). Veuillez vous connecter à la bande de 2,4 GHz avant de commencer le processus de configuration de l'application.

## Configuration de Matter (Smartphone OU enceinte intelligente requise)

Les écosystèmes intelligents et leurs enceintes compagnons ne peuvent prendre en charge Matter qu'en utilisant ces versions ou des versions plus récentes.

Appareil	Version
Alexa App	2.2.536317
Alexa Echo Device	9094439556
Android	Google Play: 22.36.15 Google Home: 2.58.24.1
Google Home Hub	1.56.324896
iPhone	iOS 16.5
Apple Home Pod	16.5

## Étape 1: Démarrage

(Pour les smartphones Android et iOS : Application TCL Home OU enceintes intelligentes)

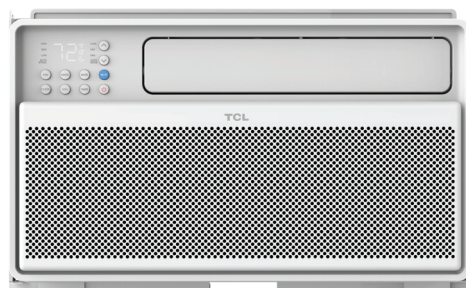
- Méthode 1 - Enceinte intelligente requise : Ouvrez la boutique d'applications Google ou Apple sur votre smartphone et recherchez l'application compagnon de votre enceinte intelligente si elle n'est pas déjà téléchargée (Amazon Alexa, Google Home, SmartThings, Apple Home).
- Méthode 2 : Utilisez la fonction de la caméra sur votre smartphone, scannez le code QR ci-dessous ou recherchez TCL Home dans la boutique d'applications Google ou Apple et téléchargez l'application TCL Home (elle ne nécessite pas l'utilisation d'une enceinte intelligente et offre plus de fonctionnalités).



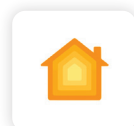
**Remarque :** L'application ne prend en charge que la bande WiFi de 2,4 GHz (tous les routeurs ont une bande de 2,4 GHz). Veuillez vous connecter à la bande de 2,4 GHz avant de commencer le processus de configuration de l'application.

## Étape 2: Connectez votre climatiseur à Matter

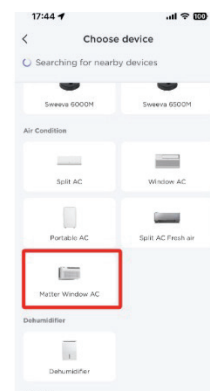
1. Assurez-vous que votre smartphone et votre enceinte intelligente sont connectés à votre réseau WiFi. Si vous n'avez pas d'enceinte intelligente, veuillez utiliser l'application TCL Home que vous avez téléchargée dans la section précédente.
2. Activez le Bluetooth sur votre appareil mobile.
3. Appuyez sur "Affichage" ou "Éco" 6 fois sur la télécommande OU appuyez et maintenez enfoncés "Mode" et "▲" pendant 3 secondes. L'appareil émettra deux bips et affichera "CF" après quelques secondes.



4. Ouvrez l'application Amazon Alexa, Google Home, SmartThings, Apple Home ou TCL Home sur votre appareil mobile.

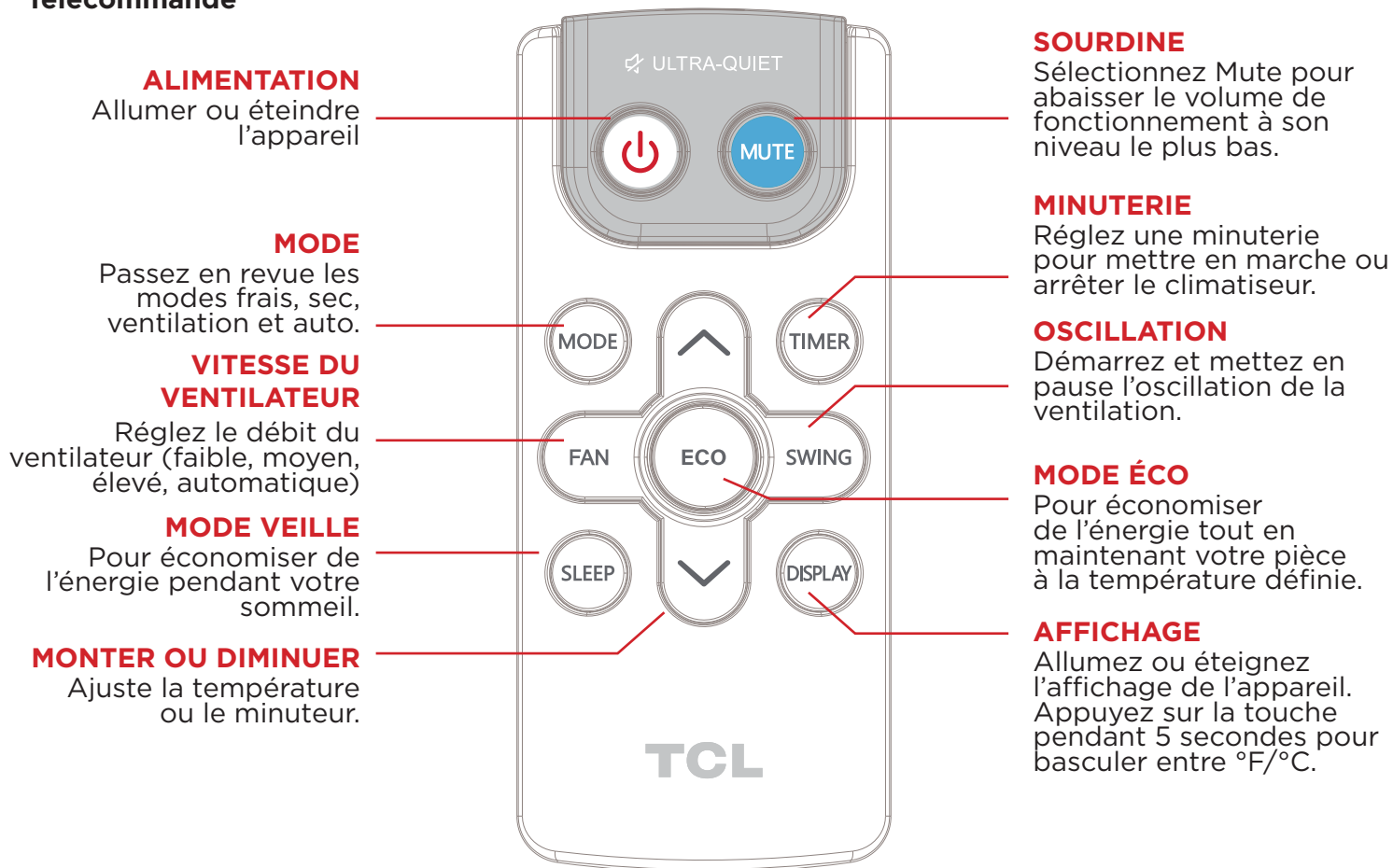


5. Appuyez sur le "+" et "Ajouter un appareil/accessoire" ou appuyez sur "+Ajouter" dans votre application, sélectionnez votre appareil Matter et scannez le code QR Matter trouvé sur le côté de l'appareil. Ensuite, suivez les instructions dans l'application pour terminer la configuration.
- Si vous configurez sans enceinte intelligente en utilisant l'application TCL Home, veuillez sélectionner l'appareil intitulé "Matter Window AC". Une fois terminé, vous pouvez contrôler votre appareil via l'application TCL Home, l'application Smart Assistant ou l'enceinte intelligente.



# Comment Contrôler Votre Climatiseur

## Télécommande



Pour plus d'informations sur l'utilisation de la télécommande et d'autres fonctions de votre climatiseur, ou pour comprendre le fonctionnement de chaque mode, veuillez vous reporter aux pages suivantes.

## Remplacement des piles

Le climatiseur est livré avec deux piles pour la télécommande incluse. Veuillez à les insérer correctement pour une bonne utilisation de la télécommande.

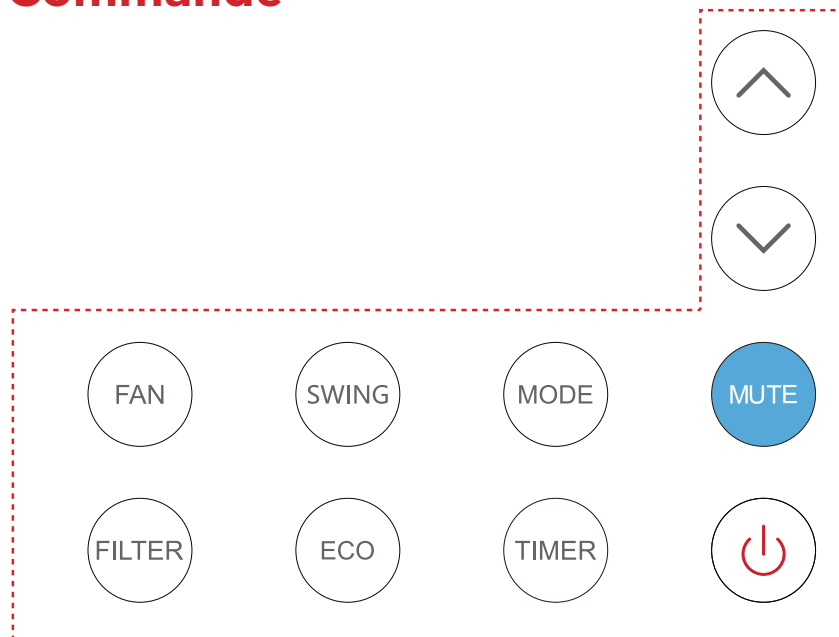
### Remarque :







- Ne mélangez pas d'anciennes et de nouvelles piles, ou des piles de types différents.
- Ne laissez pas de piles dans la télécommande si vous ne prévoyez pas d'utiliser l'appareil pendant plus de 2 mois
- Respectez les consignes de votre ville pour obtenir des informations sur la mise au rebut correcte des piles usagées et usées. Ne jetez pas les piles dans les déchets municipaux non triés.

## Conseils pour l'utilisation de la télécommande

1. La télécommande doit être utilisée à moins de 8 m (26 pi) de l'appareil
2. L'appareil émet un son lorsqu'il reçoit le signal de la télécommande.
3. Les rideaux, d'autres matériaux et même la lumière directe du soleil peuvent interférer avec le récepteur du signal infrarouge.
4. Appuyez sur « MODE » et « ^ » pendant 3 sec pour réinitialiser les paramètres WiFi.



# Panneau de Commande







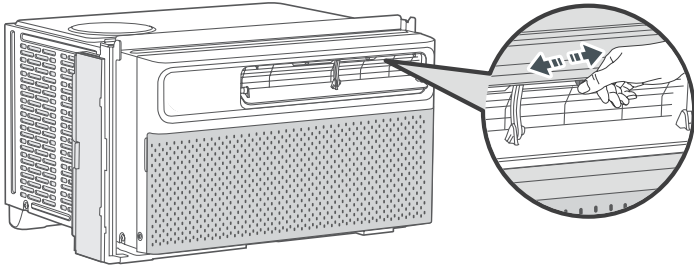
<p>Alimentation</p> 	<p>Allumer et éteindre le climatiseur</p>
<p>Vitesse du Ventilateur</p> 	<p>Réglez la vitesse du ventilateur (faible, moyenne, élevée, auto) Maintenez la touche enfoncée pendant 5 secondes pour réinitialiser le rappel du filtre.</p> <p><b>Remarque :</b> les réglages de la vitesse du ventilateur sont disponibles en modes Auto, Frais et Ventilation.</p>
<p>Balayage / Oscillation</p> 	<p>Réglez la direction du flux d'air en faisant osciller la sortie d'air verticalement. Appuyez pendant 3 secondes pour activer ou désactiver le mode Éco.</p>
<p>Diminue</p> 	<p>Diminue le niveau de température</p>
<p>Augmente</p> 	<p>Augmente le niveau de température</p>
<p>Sélection du Mode</p> 	<p>Basculez entre les modes Frais/Sec/Ventilation/Auto</p>



## Affichage DEL







COOL DRY FAN AUTO MODE	Indique les modes Frais/Sec/Ventilation/Auto respectivement
	Indique que l'appareil est en mode Veille.
	Indique qu'il y a une connexion WiFi.
LOW MED HIGH AUTO	Indique les vitesses de ventilateur basse, moyenne, haute et automatique, respectivement.

## Opérations Générales

<p>Alimentation</p> 	<p>Allumer et éteindre le climatiseur</p>
<p>Augmente</p> 	<p>Appuyez sur cette touche pour augmenter la température de 1 °F/°C.</p>
<p>Diminue</p> 	<p>Appuyez sur cette touche pour diminuer la température de 1 °F/°C.</p>
<p>Balayage / Oscillation</p> 	<p>Appuyez pour que l'évent se balance de haut en bas. Pendant le mouvement, appuyez à nouveau pour arrêter l'évent à l'angle souhaité. Maintenez la touche enfoncée pendant 3 secondes pour activer ou désactiver le mode Éco.</p> <p><b>Remarque :</b> pour régler la direction du flux d'air horizontalement, déplacez manuellement les leviers situés sur le dessus de la sortie d'air d'un côté à l'autre. Par ailleurs, ne réglez pas la grande bouche d'air verticale à la main, car cela pourrait l'endommager.</p> 

<p>Vitesse du Ventilateur</p> 	<p><b>Régler la vitesse du ventilateur</b> Appuyez plusieurs fois sur cette touche pour régler la vitesse du ventilateur entre faible, moyenne, élevée et auto.</p> <p><b>Rappel de réinitialisation du filtre.</b> Maintenez cette touche enfoncée pendant 5 secondes pour réinitialiser le rappel du filtre.</p> <p><b>Pour nettoyer le filtre, consultez la section Entretien de ce manuel.</b></p>
<p>Sélection du Mode</p> 	<p><b>Appuyez à plusieurs reprises sur cette touche pour faire défiler les modes Frais, Sec, Ventilation et Auto.</b></p> <p><b>Mode refroidissement</b></p> <ul style="list-style-type: none"> <li>• La climatisation refroidit la pièce à la température définie.</li> <li>• La température et la vitesse du ventilateur sont réglables.</li> </ul> <p><b>Mode sec</b></p> <ul style="list-style-type: none"> <li>• Le climatiseur fonctionne comme un déshumidificateur pour éliminer l'excès d'humidité dans l'air. Le ventilateur fonctionne constamment, mais à faible vitesse. <ul style="list-style-type: none"> <li>• La température et la vitesse du ventilateur ne sont pas réglables.</li> </ul> </li> </ul> <p><b>Mode ventilateur</b></p> <ul style="list-style-type: none"> <li>• La climatisation fait circuler l'air comme un ventilateur normal. N'oubliez pas de garder la bouche d'aération ouverte pendant la fonction ventilateur, mais fermée pendant la fonction refroidissement pour maximiser l'efficacité du refroidissement. <ul style="list-style-type: none"> <li>• La vitesse du ventilateur peut être réglée sur faible, moyenne et élevée.</li> <li>• La température ne peut pas être ajustée.</li> </ul> </li> </ul> <p><b>Mode automatique</b></p> <ul style="list-style-type: none"> <li>• Le climatiseur se règle automatiquement entre les modes Refroidissement et Ventilation en fonction de la température de la pièce. <ul style="list-style-type: none"> <li>• La température et la vitesse du ventilateur ne peuvent pas être ajustées.</li> </ul> </li> </ul>

**Remarque :** En mode Auto, la vitesse du ventilateur s'adapte à la température de la pièce. En mode sec, la vitesse du ventilateur ne peut pas être ajustée."

<p>Minuterie (Sur la télécommande)</p> 	<p>Lorsque le climatiseur est en marche ou en veille, appuyez sur le bouton Minuterie et son icône clignote sur l'écran DEL.</p> <p>Pendant le clignotement, appuyez sur + ou - pour sélectionner une minuterie de 0 à 24 heures, puis appuyez à nouveau sur la touche Minuterie pour confirmer le réglage. Une fois la minuterie terminée, le climatiseur se met en marche ou s'arrête automatiquement.</p> <p>Le fait d'allumer ou d'éteindre le climatiseur à tout moment ou de régler la minuterie sur 0,0 heure annule le programme de la minuterie.</p>
<p>Éco (Sur la télécommande)</p> 	<p>En mode Éco, lorsque la température souhaitée est atteinte, le compresseur s'arrête et le ventilateur continue de fonctionner pendant 3 minutes avant de s'éteindre.</p> <p>Le ventilateur se met en marche pendant 1 minute à chaque intervalle de 5 minutes jusqu'à ce que la température de la pièce soit supérieure à la température réglée, auquel moment le compresseur se remet en marche et continue de refroidir.</p>
<p>Veille (Sur la télécommande)</p> 	<p>En mode Veille, la température de la climatisation augmente de 2 degrés en 1 heure (1 degré toutes les 30 minutes), puis la température reste constante pendant 7 heures, après quoi la température revient à la température initiale.</p> <p><b>REMARQUE :</b> les sons des boutons sont coupés et tous les voyants de l'écran s'éteignent après 15 secondes, à l'exception du voyant du mode Veille.</p>
<p>Affichage DEL (Sur la télécommande)</p> 	<p>Allumer ou éteindre l'affichage</p> <p>Maintenez la touche enfoncée pendant 5 secondes pour basculer entre °F/°C.</p>

## Autres Caractéristiques

### Rappel de filtre

Lorsque la durée de fonctionnement atteint 500 heures, le rappel du filtre s'allume pour indiquer que le filtre doit être nettoyé. Appuyez sur le bouton de Filtre pendant 5 secondes pour réinitialiser le rappel du filtre. Veuillez consulter la section Entretien de ce manuel pour les instructions de nettoyage du filtre.

### Arrêt automatique de l'affichage

- L'écran s'éteint après 30 secondes (ou après 15 secondes en mode veille).
- Réveillez l'affichage en appuyant sur n'importe quel bouton

### Mémoire

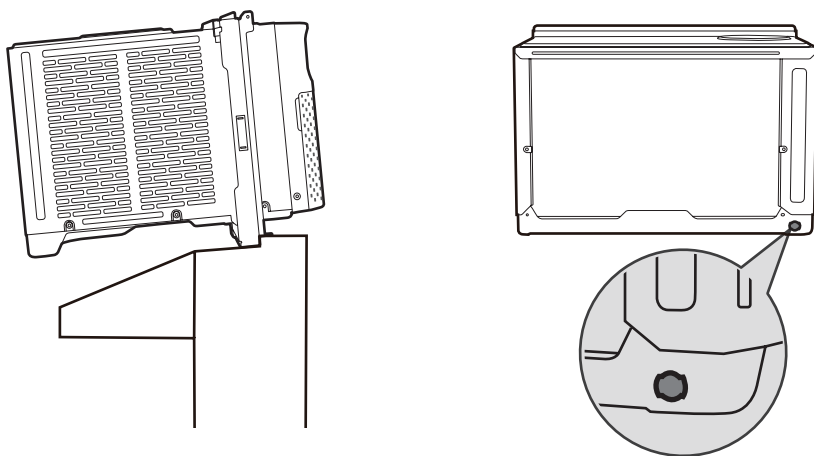
Si le climatiseur est éteint, mais reste branché sur le secteur, il reprend les réglages précédents (sauf le réglage de la minuterie) lorsqu'il est rallumé.

### Drainage de l'eau

Ce climatiseur a été conçu pour recueillir l'humidité de la condensation dans un bac de collecte situé à la base de l'appareil. L'eau collectée distribuée par le ventilateur arrière sur le serpentin du condenseur contribue à l'efficacité globale de l'appareil.

Il est normal d'entendre l'eau s'agiter lorsque le ventilateur tourne.

Si ce comportement n'est pas souhaité, le bouchon de vidange situé à l'arrière du climatiseur peut être retiré pour évacuer une partie de l'eau. Cette opération peut réduire l'efficacité de la climatisation. Une quantité minimale d'eau restera dans le bac de vidange..



# Entretien

## Entretien et nettoyage

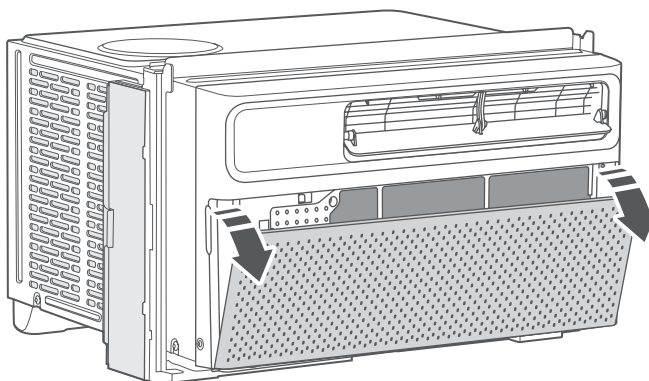
Nettoyez votre climatiseur de temps en temps pour lui conserver son aspect neuf. Avant de procéder au nettoyage, veillez à débrancher l'appareil de toute source d'alimentation afin d'éviter tout risque d'électrocution ou d'incendie.

## Filtre à air

Le filtre à air doit être vérifié au moins une fois par mois pour voir s'il doit être nettoyé. N'utilisez jamais d'eau chaude à plus de 40 °C (104 °F) pour nettoyer le filtre à air. N'essayez jamais de faire fonctionner l'appareil sans le filtre à air. Les particules piégées et la poussière peuvent s'accumuler avec le temps, ce qui peut entraîner une diminution du débit d'air et provoquer l'accumulation de givre sur les serpentins. Pour nettoyer le filtre à air :

1. Tirez la grille par les encoches situées des deux côtés à l'avant et retirez le filtre qui se trouve à l'intérieur.
2. Lavez le filtre avec du savon à vaisselle liquide et de l'eau chaude. Rincez soigneusement le filtre. Secouez doucement le filtre pour éliminer l'excès d'eau.
3. Laissez le filtre sécher complètement avant de le replacer dans le climatiseur.

**Remarque :** Si vous ne souhaitez pas laver le filtre, vous pouvez passer l'aspirateur pour éliminer la poussière et les autres particules.



## Nettoyage de la carrosserie

Pour nettoyer la carrosserie du climatiseur :

- À l'aide d'un chiffon humidifié dans une solution d'eau chaude et de savon liquide doux, essuyez l'appareil et le panneau avant. Ensuite, à l'aide d'un chiffon propre et humide, assurez-vous d'essuyer l'appareil pour enlever tout excès de savon et continuez à sécher.
- N'utilisez jamais de nettoyants agressifs, de cire ou de produit à polir sur la carrosserie.
- Veillez à essorer l'excès d'eau du chiffon avant d'essuyer le pourtour de la commande. L'excès d'eau peut endommager l'appareil.

## Rangement

Si vous souhaitez ranger l'appareil lorsque vous ne l'utilisez pas, nous vous recommandons de retirer le bouchon de vidange situé à l'arrière de l'appareil et d'incliner légèrement l'appareil vers l'arrière afin de vidanger l'eau contenue dans le bac en toute sécurité. Nettoyez ensuite l'appareil, puis rangez-le dans son emballage ou sa boîte d'origine jusqu'à la prochaine utilisation.

# Dépannage

Problème	Causes possibles	Solutions
<b>Le climatiseur ne démarre pas</b>	Le climatiseur est débranché	Assurez-vous que la fiche du climatiseur est complètement enfoncée dans la prise.
	Le fusible est grillé ou le disjoncteur est déclenché	Vérifiez la boîte de fusibles ou de disjoncteurs de la maison et remplacez le fusible ou réinitialisez le disjoncteur.
	Panne de courant	<ul style="list-style-type: none"> <li>L'appareil redémarre automatiquement lorsque le courant est rétabli.</li> <li>Il y a un délai de protection (environ 3 minutes) pour éviter le déclenchement et la surcharge du compresseur. Pour cette raison, il se peut que l'appareil ne commence pas à refroidir normalement pendant les 3 minutes suivant sa remise sous tension.</li> </ul>
	Le dispositif d'interruption du courant est déclenché	<ul style="list-style-type: none"> <li>Appuyez sur le bouton RESET situé sur la fiche du cordon d'alimentation.</li> <li>Si le bouton RESET ne reste pas enclenché, cessez d'utiliser le climatiseur et contactez un technicien de service qualifié.</li> </ul>
<b>Le climatiseur ne refroidit pas comme il le devrait</b>	Le flux d'air est restreint	Assurez-vous qu'aucun rideau, store ou meuble ne bloque l'avant du climatiseur.
	La commande de température n'est peut-être pas réglée correctement.	Abaissez le réglage de température du thermostat.
	Le filtre à air est sale	Nettoyez le filtre. Reportez-vous à la section Entretien.
	La pièce est peut-être trop chaude	Laissez le temps à la pièce de se refroidir après avoir mis en marche le climatiseur.
	De l'air froid s'échappe	Vérifiez si les grilles de chaleur et les retours d'air froid sont ouverts.
	Les serpentins de refroidissement sont gelés	Passez à la vitesse élevée du ventilateur et réglez le thermostat sur une température plus élevée.
	Le capteur de température n'est pas bien situé	Le capteur de température situé derrière le filtre à air touche le serpentin. Essayez de le déplacer pour qu'il n'entre pas en contact avec le serpentin froid.
<b>Le climatiseur gèle</b>	La glace bloque le flux d'air et empêche le climatiseur de refroidir la pièce.	Passez à la vitesse élevée du ventilateur et réglez le thermostat sur une température plus élevée.
<b>La télécommande ne fonctionne pas</b>	Les piles sont mal insérées	Vérifiez la position des piles.
	Les piles sont peut-être mortes	Remplacez les piles.
<b>De l'eau coule à l'extérieur</b>	Temps chaud et humide	Ceci est normal.

<b>De l'eau s'égoutte à l'INTÉRIEUR lorsque l'appareil refroidit.</b>	Le climatiseur n'est pas correctement incliné vers l'extérieur	Installation incorrecte. Inclinez légèrement le climatiseur vers l'extérieur pour permettre l'écoulement de l'eau. Reportez-vous aux instructions d'installation.
	L'humidité extraite de l'air s'écoule dans le bac à la base.	Ceci est normal pendant une courte période dans les zones à faible humidité et normal pendant une période plus longue dans les zones à forte humidité
<b>Bruit au démarrage de l'unité</b>	Un son «da-da» peut se produire pendant 30 secondes lorsque l'appareil est mis en marche en raison du démarrage du compresseur.	Ce phénomène est normal.

## Spécifications

<b>Model</b>	H8W25WQ
<b>Réfrigérant</b>	R32
<b>Capacité de refroidissement</b>	8,000 BTu/h
<b>Tension Nominale</b>	115V
<b>Fréquence Nominale</b>	60Hz
<b>Entrée Nominale</b>	740W
<b>Courant Nominal</b>	8.3A
<b>CEER</b>	15 (Btu/h)W
<b>Conseillé Zone Applicable</b>	≤ 350 ft <sup>2</sup>
<b>Dimensions</b>	22.99 X 18.81 X 13.97 in / 584 X 478 X355 mm
<b>Poids</b>	61.7 lb / 28 kg